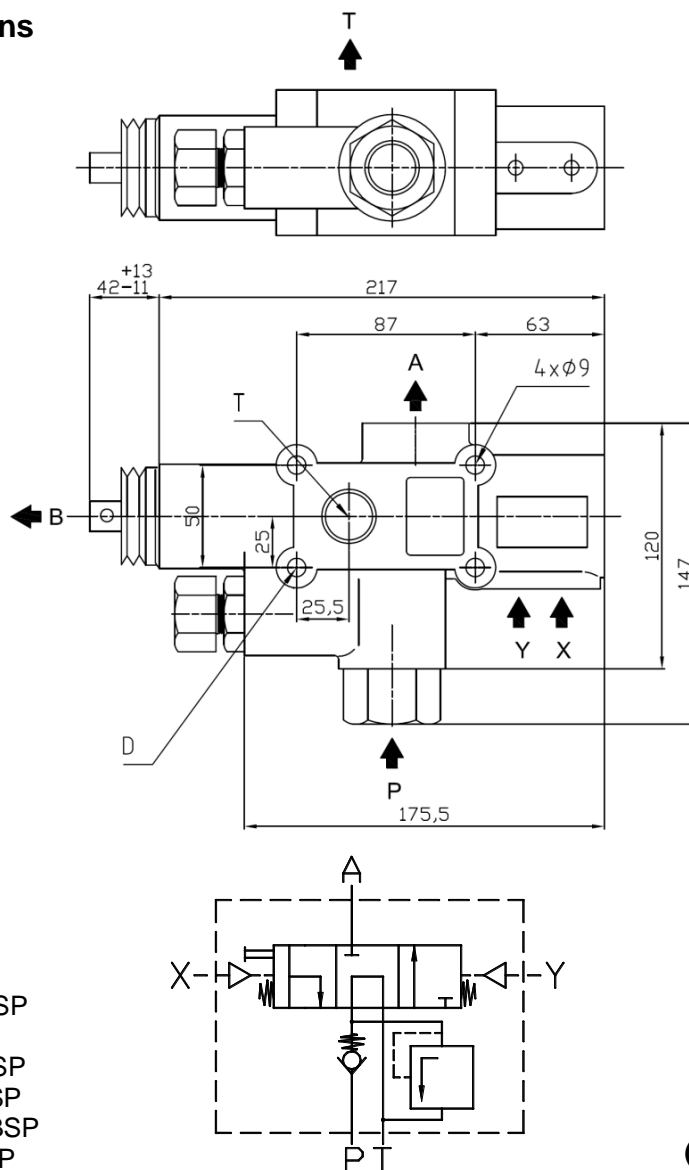




Tipping Valve		Ref. DTCA130
DT	Open Circuit 130 L	

Main Dimensions



Main Data

Maximum pressure (Bar)	350
Operating pressure (Bar)	up to 300
Flow rate (l/min)	130
Weight (kg)	5.2

Notes:

- ✓ This tipping valve can be used in progressive descent with our air commands ABCD.
- ✓ Tighten the tipping valve with only three bolts. Do not use the "D" hole. Screw the three bolts with a max. tightening torque of 20 N.m (soft tightening).

ABER is constantly engaged in improving its products and, therefore, reserves itself the right to modify without any further notice the characteristics shown

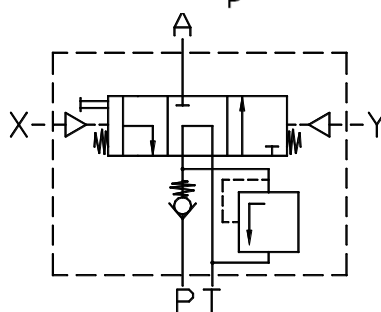
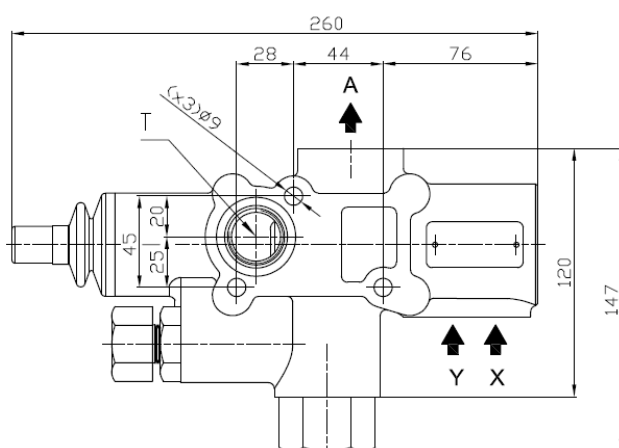
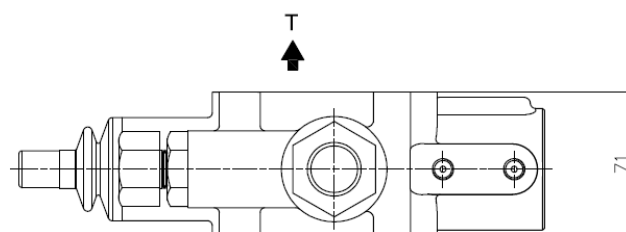


ABER - Embragens e Comandos Hidráulicos - A. B. LDA
 Rua Francisco de Almeida, Nº 30 – Vila Nova da Telha – 4470 MAIA - Portugal
 Telephone: +351.22.9438070 Fax: +351.22.9420823 e-mail: aber@aber.pt <http://www.aber.pt>



Tipping Valve		Ref. DTCA130H
DT	Open Circuit 130 l/min ; progressive descent, type H	

Main Dimensions



- A – Outlet 3/4" BSP
- P – Pump 3/4" BSP
- T – Tank 3/4" BSP
- X – Descent 1/8" BSP
- Y – Ascent 1/8" BSP

(Dimensions in mm)

Main Data

Maximum pressure (Bar)	350
Operating pressure (Bar)	up to 300
Flow rate (l/min)	130
Approx. weight (kg)	5.2

Notes:

- ✓ This tipping valve can be used in progressive descent with our air commands ABCD.
- ✓ Screw the three bolts with a max. tightening torque of 20 N.m (soft tightening).

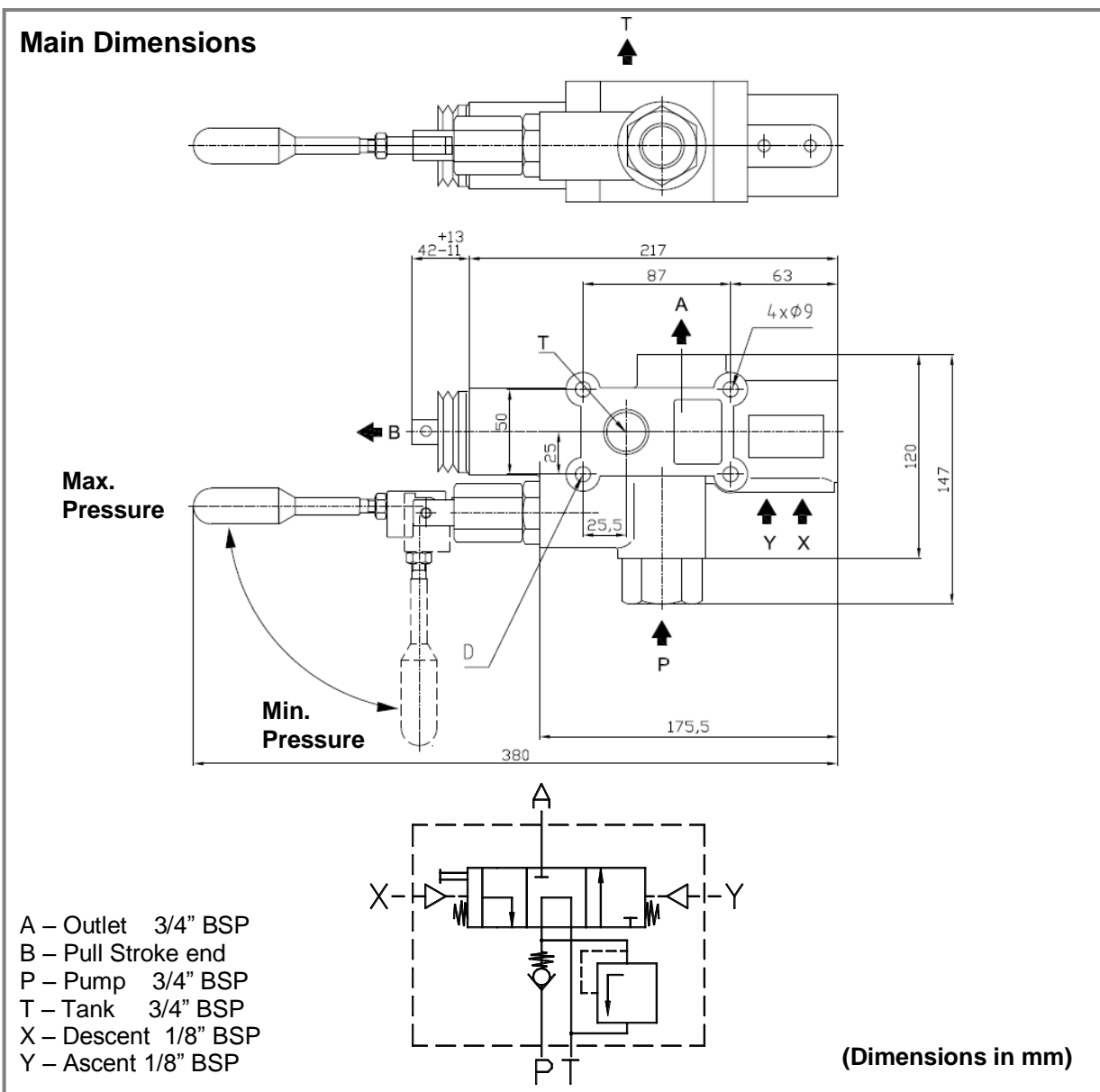
ABER is constantly engaged in improving its products and, therefore, reserves itself the right to modify without any further notice the characteristics shown



ABER - Embragens e Comandos Hidráulicos - A. B. LDA
 Rua Francisco de Almeida, Nº 30 – Vila Nova da Telha – 4470 MAIA - Portugal
 Telephone: +351.22.9438070 Fax: +351.22.9420823 e-mail: aber@aber.pt <http://www.aber.pt>



Tipping Valve		Ref. DTCA1302P
DT	Open Circuit 130 L ; 2 Pressure Range	



Main Data	
Maximum pressure (Bar)	350
Operating pressure (Bar)	up to 300
Flow rate (l/min)	130
Weight (kg)	5.5

Notes:

- ✓ This tipping valve can be used in progressive descent with our air commands ABCD.
- ✓ Tighten the tipping valve with only three bolts. Do not use the "D" hole. Screw the three bolts with a max. tightening torque of 20 N.m (soft tightening).

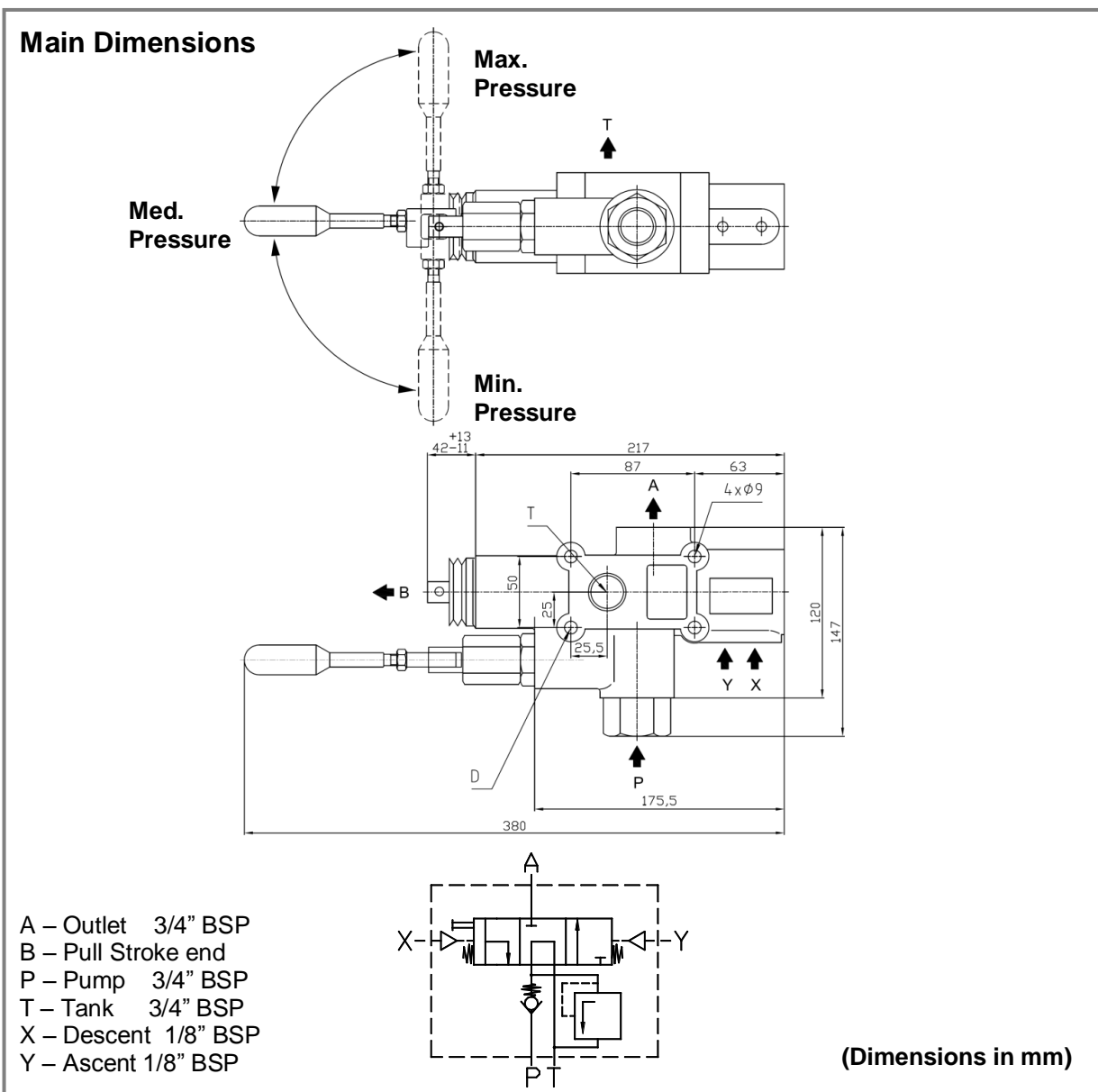
ABER is constantly engaged in improving its products and, therefore, reserves itself the right to modify without any further notice the characteristics shown



ABER - Embragens e Comandos Hidráulicos - A. B. LDA
 Rua Francisco de Almeida, Nº 30 – Vila Nova da Telha – 4470 MAIA - Portugal
 Telephone: +351.22.9438070 Fax: +351.22.9420823 e-mail: aber@aber.pt <http://www.aber.pt>



Tipping Valve		Ref. DTCA1303P
DT	Open Circuit 130 L ; 3 Pressure Range	



Main Data	
Maximum pressure (Bar)	350
Operating pressure (Bar)	up to 300
Flow rate (l/min)	130
Weight (kg)	5.5

Notes:

- ✓ This tipping valve can be used in progressive descent with our air commands ABCD
- ✓ Tighten the tipping valve with only three bolts. Do not use the "D" hole. Screw the three bolts with a max. tightening torque of 20 N.m (soft tightening).

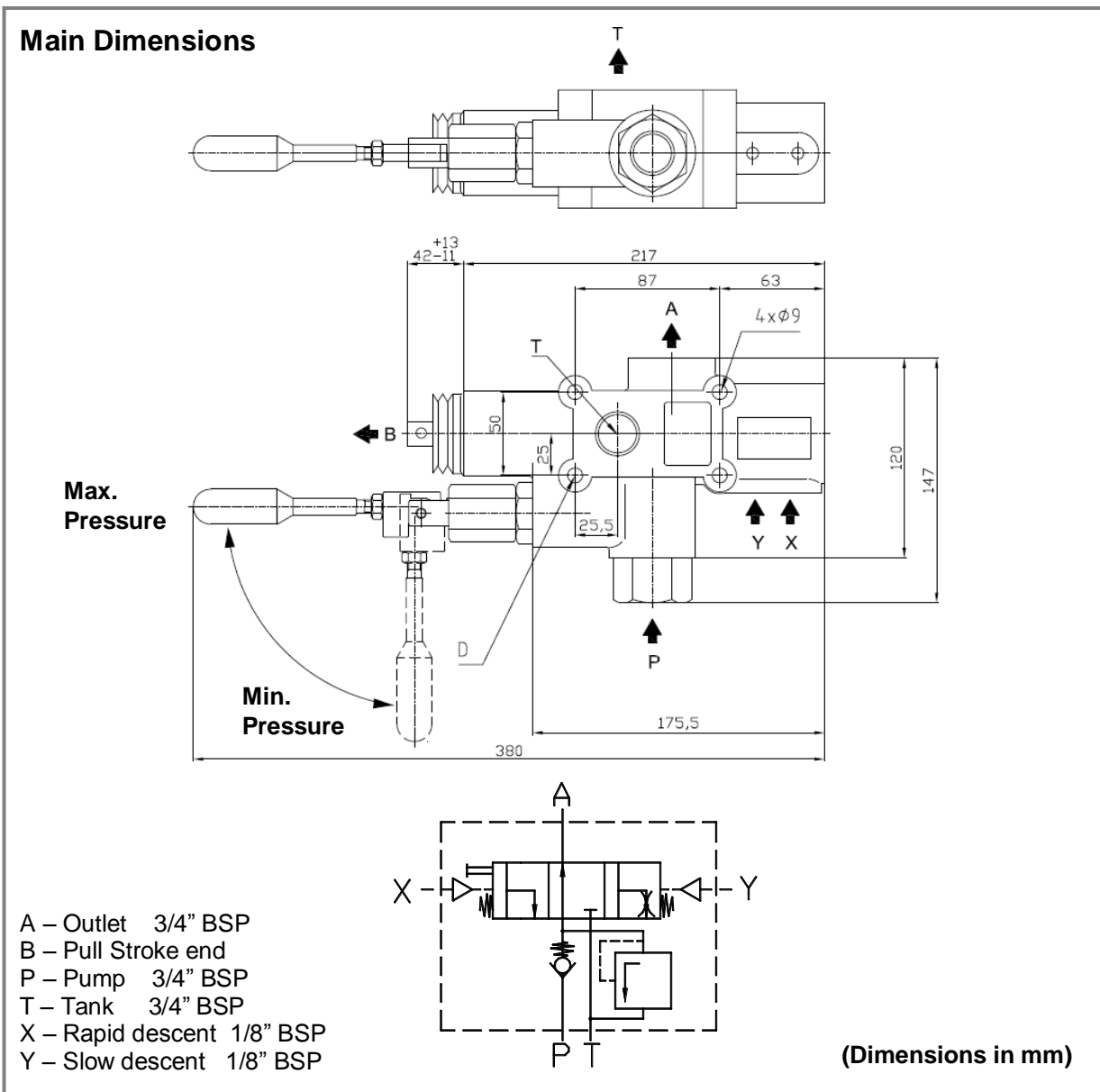
ABER is constantly engaged in improving its products and, therefore, reserves itself the right to modify without any further notice the characteristics shown



ABER - Embraagens e Comandos Hidráulicos - A. B. LDA
 Rua Francisco de Almeida, Nº 30 – Vila Nova da Telha – 4470 MAIA - Portugal
 Telephone: +351.22.9438070 Fax: +351.22.9420823 e-mail: aber@aber.pt <http://www.aber.pt>



Tipping Valve		Ref. VVLR1302P
VV	Close Circuit 130 L ; 2 Pressure Range	



Main Data	
Maximum pressure (Bar)	350
Operating pressure (Bar)	up to 300
Flow rate (l/min)	130
Weight (kg)	5.5

- Notes:**
- ✓ This tipping valve can be used in progressive descent with our air commands ABCD.
 - ✓ Tighten the tipping valve with only three bolts. Do not use the "D" hole. Screw the three bolts with a max. tightening torque of 20 N.m (soft tightening).

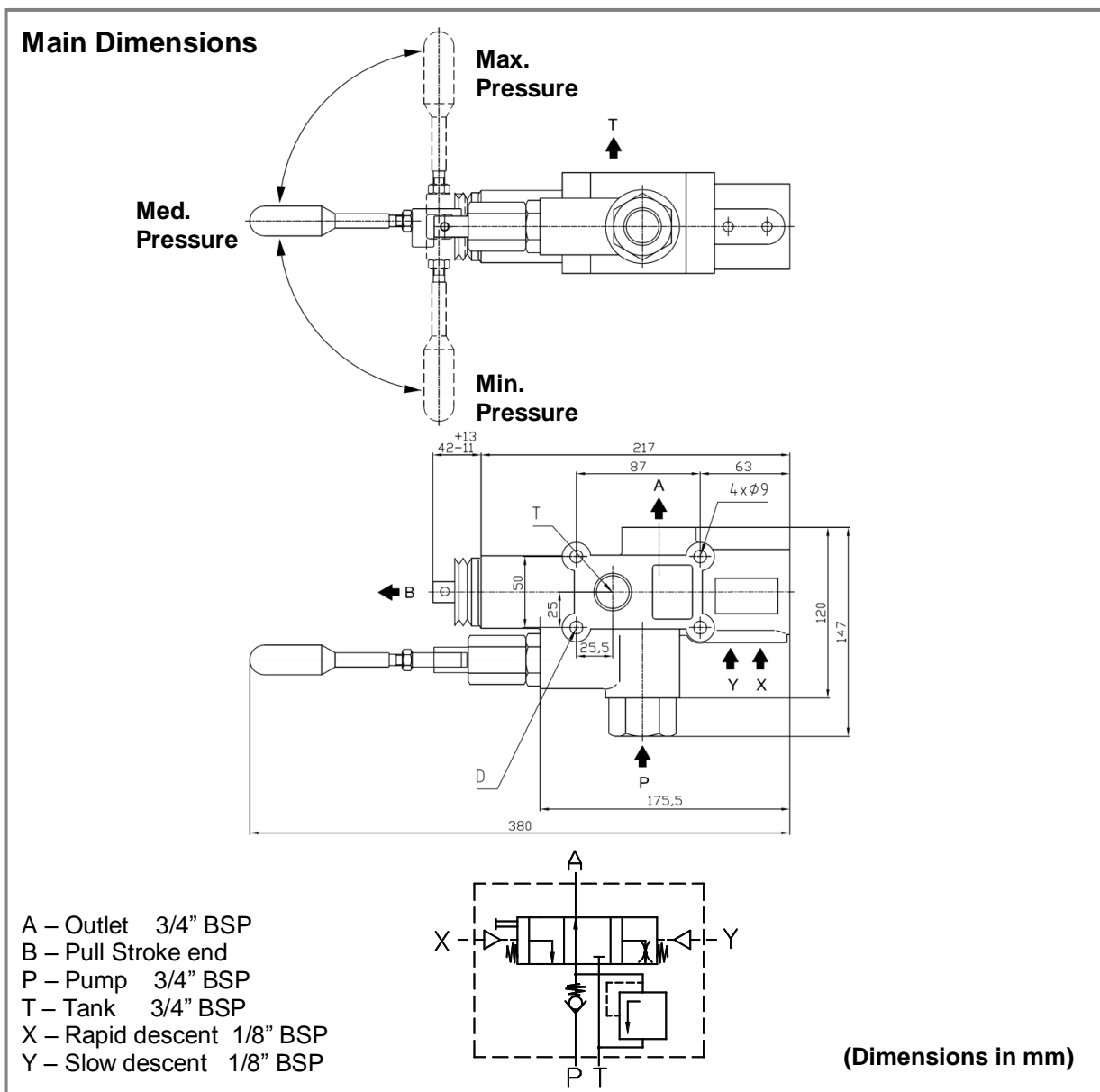
ABER is constantly engaged in improving its products and, therefore, reserves itself the right to modify without any further notice the characteristics shown



ABER - Embraagens e Comandos Hidráulicos - A. B. LDA
 Rua Francisco de Almeida, Nº 30 – Vila Nova da Telha – 4470 MAIA - Portugal
 Telephone: +351.22.9438070 Fax: +351.22.9420823 e-mail: aber@aber.pt <http://www.aber.pt>



Tipping Valve		Ref. VVLR1303P
VV	Close Circuit 130 L ; 3 Pressure Range	



Main Data	
Maximum pressure (Bar)	350
Operating pressure (Bar)	up to 300
Flow rate (l/min)	130
Weight (kg)	5.5

Notes:

- ✓ This tipping valve can be used in progressive descent with our air commands ABCD.
- ✓ Tighten the tipping valve with only three bolts. Do not use the "D" hole. Screw the three bolts with a max. tightening torque of 20 N.m (soft tightening).

ABER is constantly engaged in improving its products and, therefore, reserves itself the right to modify without any further notice the characteristics shown

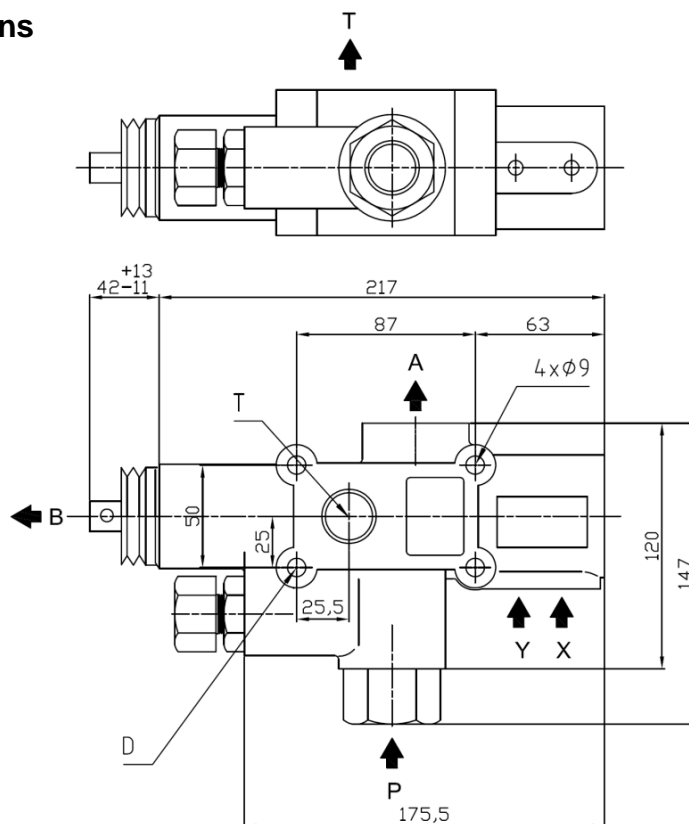


ABER - Embraagens e Comandos Hidráulicos - A. B. LDA
 Rua Francisco de Almeida, Nº 30 – Vila Nova da Telha – 4470 MAIA - Portugal
 Telephone: +351.22.9438070 Fax: +351.22.9420823 e-mail: aber@aber.pt <http://www.aber.pt>

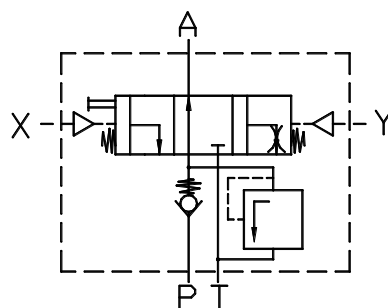


Tipping Valve		Ref. VVLR13001
VV	Close Circuit 130 L	

Main Dimensions



- A – Outlet 1" BSP
- B – Pull Stroke end
- P – Pump 1" BSP
- T – Tank 1" BSP
- X – Rapid descent 1/8" BSP
- Y – Slow descent 1/8" BSP



(Dimensions in mm)

Main Data

Maximum pressure (Bar)	350
Operating pressure (Bar)	up to 300
Flow rate (l/min)	130
Weight (kg)	5.2

Notes:

- ✓ This tipping valve can be used in progressive descent with our air commands ABCD.
- ✓ Tighten the tipping valve with only three bolts. Do not use the "D" hole. Screw the three bolts with a max. tightening torque of 20 N.m (soft tightening).

ABER is constantly engaged in improving its products and, therefore, reserves itself the right to modify without any further notice the characteristics shown

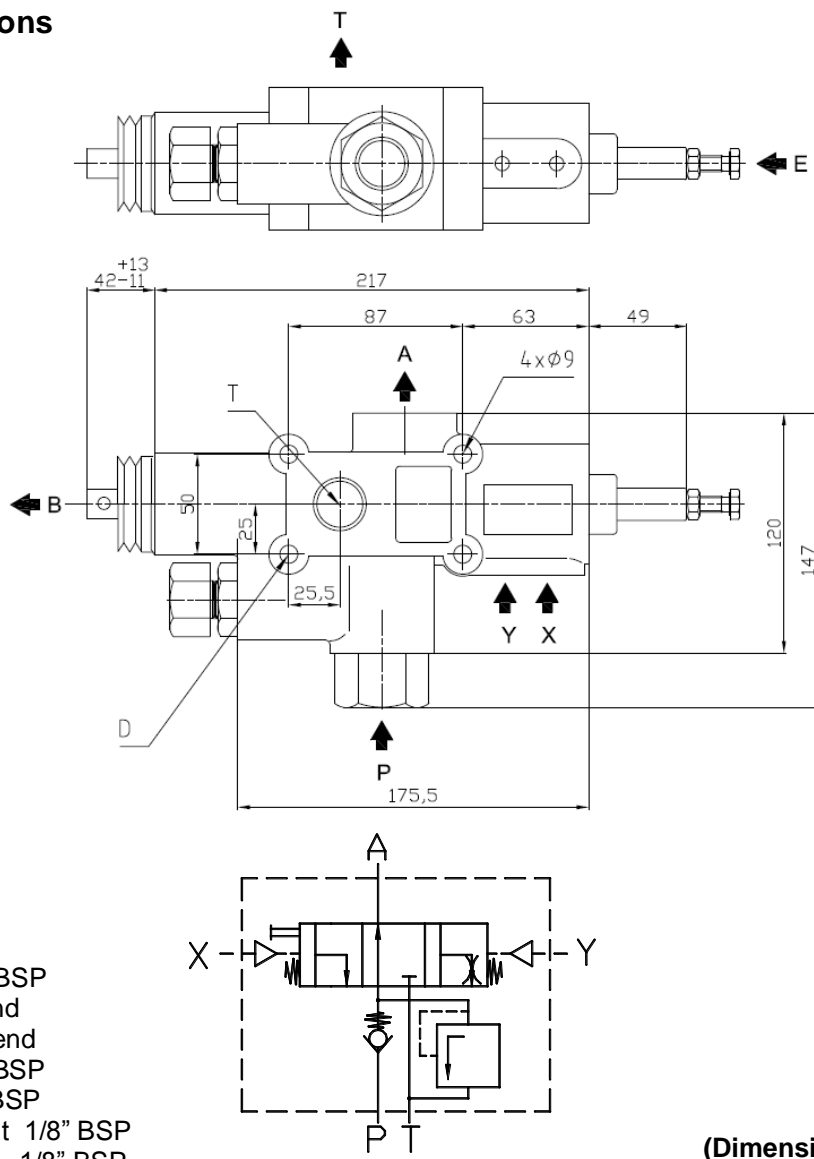


ABER - Embraagens e Comandos Hidráulicos - A. B. LDA
 Rua Francisco de Almeida, Nº 30 – Vila Nova da Telha – 4470 MAIA - Portugal
 Telephone: +351.22.9438070 Fax: +351.22.9420823 e-mail: aber@aber.pt <http://www.aber.pt>



Tipping Valve		Ref. VVLR130F VVP130F
VV	Close Circuit 130 L ; Push Stroke End	

Main Dimensions



- A – Outlet 3/4" BSP
- B – Pull Stroke end
- E – Push Stroke end
- P – Pump 3/4" BSP
- T – Tank 3/4" BSP
- X – Rapid descent 1/8" BSP
- Y – Slow descent 1/8" BSP

(Dimensions in mm)

Main Data

Maximum pressure (Bar)	350
Operating pressure (Bar)	up to 300
Flow rate (l/min)	130
Weight (kg)	5.2

Notes:

- ✓ This tipping valve can be used in progressive descent with our air commands ABCD.
- ✓ Tighten the tipping valve with only three bolts. Do not use the "D" hole. Screw the three bolts with a max. tightening torque of 20 N.m (soft tightening).

ABER is constantly engaged in improving its products and, therefore, reserves itself the right to modify without any further notice the characteristics shown

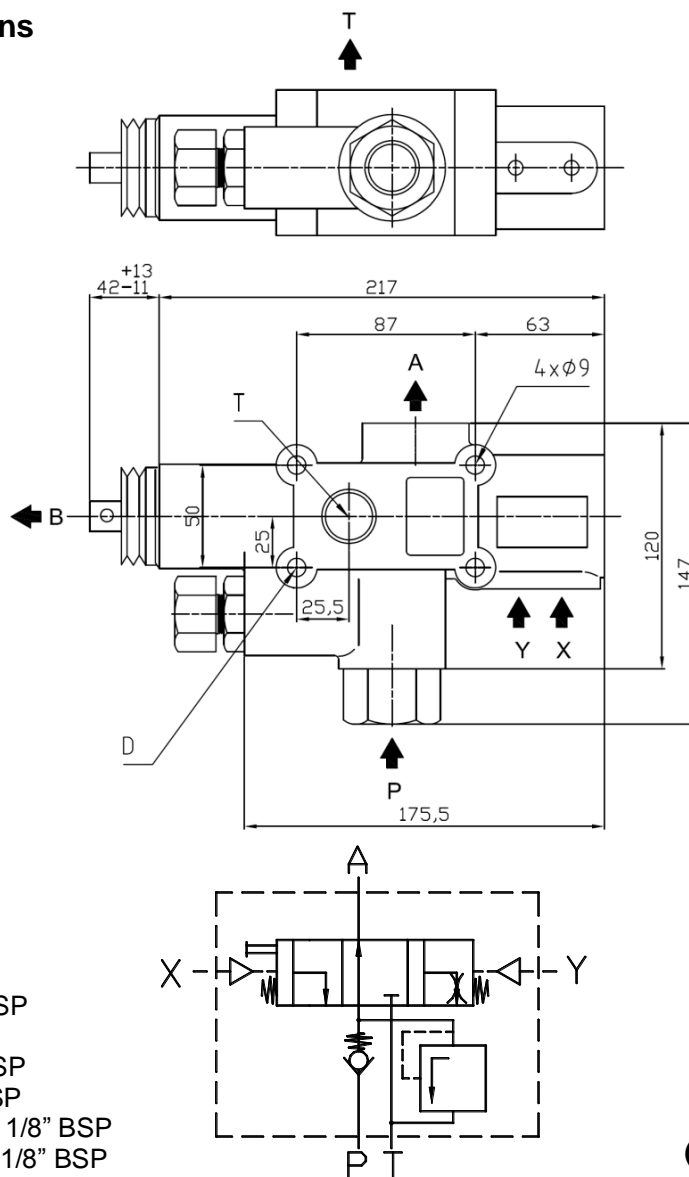


ABER - Embragens e Comandos Hidráulicos - A. B. LDA
 Rua Francisco de Almeida, Nº 30 – Vila Nova da Telha – 4470 MAIA - Portugal
 Telephone: +351.22.9438070 Fax: +351.22.9420823 e-mail: aber@aber.pt <http://www.aber.pt>



Tipping Valve		Ref. VVLR130 VVP130
VV	Close Circuit 130 L	

Main Dimensions



- A – Outlet 3/4" BSP
- B – Pull Stroke end
- P – Pump 3/4" BSP
- T – Tank 3/4" BSP
- X – Rapid descent 1/8" BSP
- Y – Slow descent 1/8" BSP

(Dimensions in mm)

Main Data

Maximum pressure (Bar)	350
Operating pressure (Bar)	up to 300
Flow rate (l/min)	130
Weight (kg)	5.2

Notes:

- ✓ This tipping valve can be used in progressive descent with our air commands ABCD.
- ✓ Tighten the tipping valve with only three bolts. Do not use the "D" hole. Screw the three bolts with a max. tightening torque of 20 N.m (soft tightening).

ABER is constantly engaged in improving its products and, therefore, reserves itself the right to modify without any further notice the characteristics shown

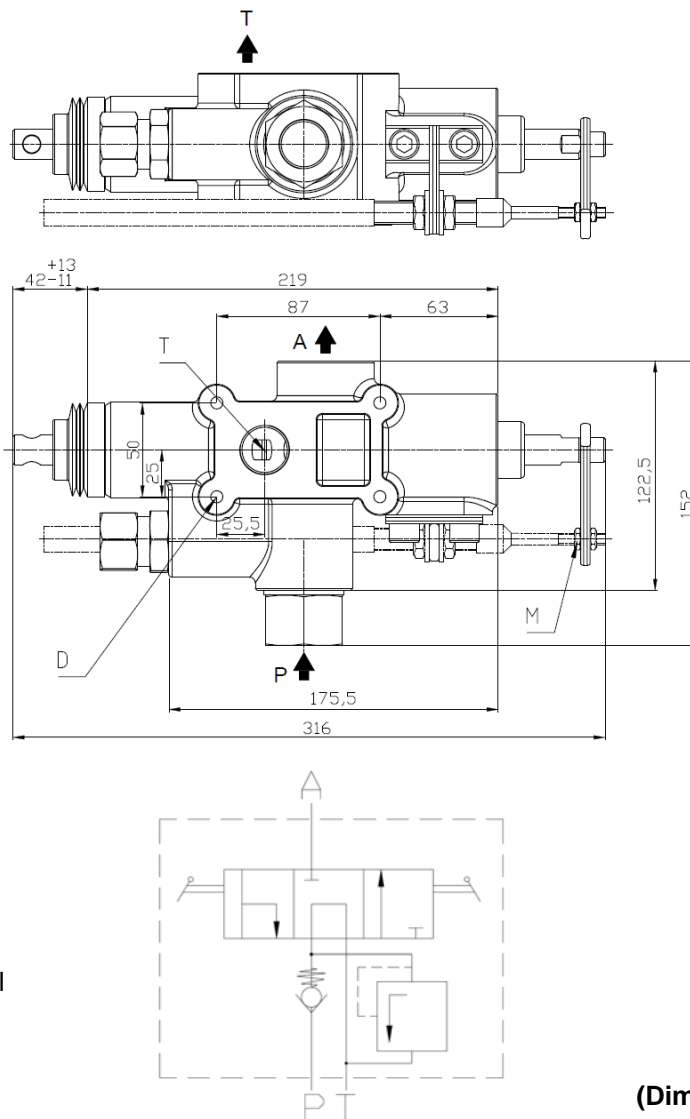


ABER - Embraagens e Comandos Hidráulicos - A. B. LDA
 Rua Francisco de Almeida, Nº 30 – Vila Nova da Telha – 4470 MAIA - Portugal
 Telephone: +351.22.9438070 Fax: +351.22.9420823 e-mail: aber@aber.pt <http://www.aber.pt>



Tipping Valve		Ref. DTCA130M
DT	Open Circuit 130 l/min.	

Main Dimensions



- A – Outlet 3/4" BSP
- M – Mechanical Control
- P – Pump 3/4" BSP
- T – Tank 3/4" BSP

(Dimensions in mm)

Main Data

Maximum pressure (Bar)	350
Operating pressure (Bar)	up to 300
Flow rate (l/min)	130
Weight (kg)	5.2

Notes:

- ✓ Tighten the tipping valve with only three bolts. Do not use the "D" hole. Screw the three bolts with a max. tightening torque of 20 N.m (soft tightening).

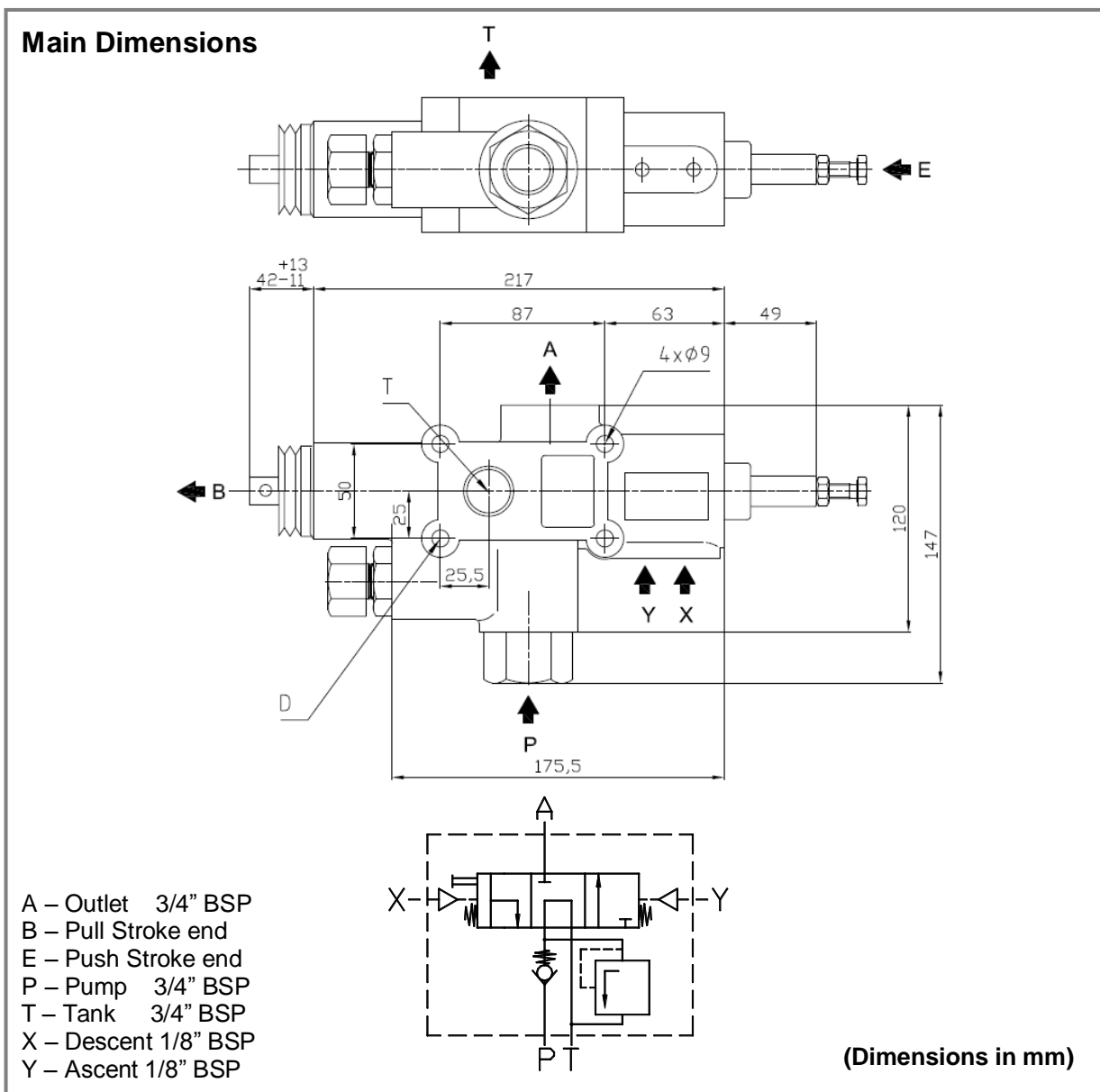
ABER is constantly engaged in improving its products and, therefore, reserves itself the right to modify without any further notice the characteristics shown



ABER - Embragens e Comandos Hidráulicos - A. B. LDA
 Rua Francisco de Almeida, Nº 30 – Vila Nova da Telha – 4470 MAIA - Portugal
 Telephone: +351.22.9438070 Fax: +351.22.9420823 e-mail: aber@aber.pt <http://www.aber.pt>



Tipping Valve		Ref. DTCA130F
DT	Open Circuit 130 L ; Push Stroke End	



Main Data	
Maximum pressure (Bar)	350
Operating pressure (Bar)	up to 300
Flow rate (l/min)	130
Weight (kg)	5.2

Notes:

- ✓ This tipping valve can be used in progressive descent with our air commands ABCD.
- ✓ Tighten the tipping valve with only three bolts. Do not use the "D" hole. Screw the three bolts with a max. tightening torque of 20 N.m (soft tightening).

ABER is constantly engaged in improving its products and, therefore, reserves itself the right to modify without any further notice the characteristics shown

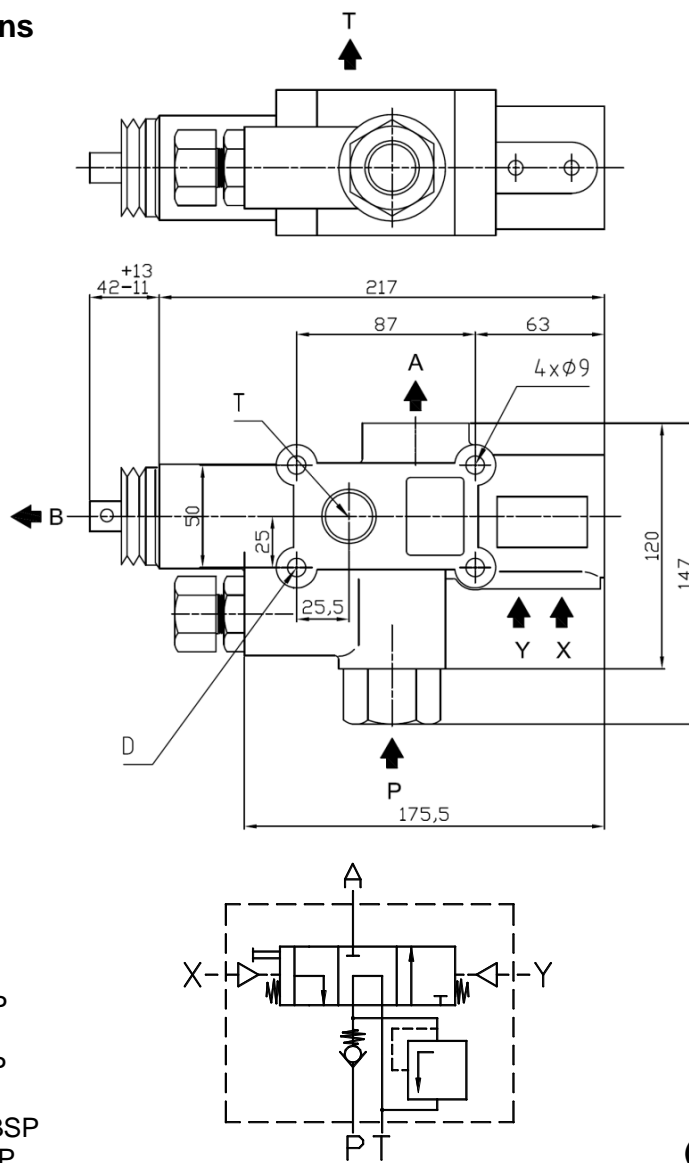


ABER - Embragens e Comandos Hidráulicos - A. B. LDA
 Rua Francisco de Almeida, Nº 30 – Vila Nova da Telha – 4470 MAIA - Portugal
 Telephone: +351.22.9438070 Fax: +351.22.9420823 e-mail: aber@aber.pt <http://www.aber.pt>



Tipping Valve		Ref. DTCA13001
DT	Open Circuit 130 L	

Main Dimensions



- A – Outlet 1" BSP
- B – Pull Stroke end
- P – Pump 1" BSP
- T – Tank 1" BSP
- X – Descent 1/8" BSP
- Y – Ascent 1/8" BSP

(Dimensions in mm)

Main Data

Maximum pressure (Bar)	350
Operating pressure (Bar)	up to 300
Flow rate (l/min)	130
Weight (kg)	5.2

Notes:

- ✓ This tipping valve can be used in progressive descent with our air commands ABCD.
- ✓ Tighten the tipping valve with only three bolts. Do not use the "D" hole. Screw the three bolts with a max. tightening torque of 20 N.m (soft tightening).

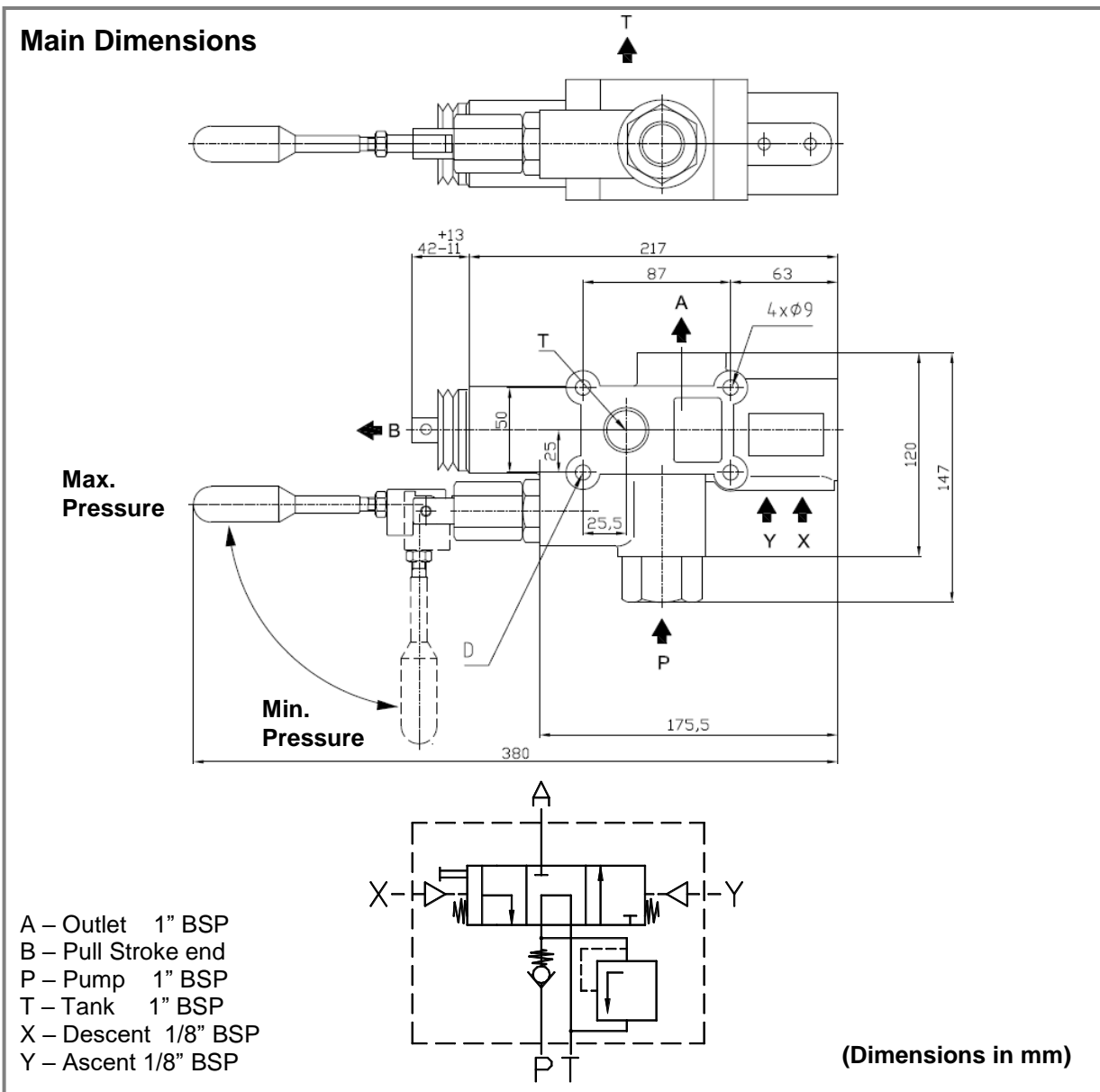
ABER is constantly engaged in improving its products and, therefore, reserves itself the right to modify without any further notice the characteristics shown



ABER - Embraagens e Comandos Hidráulicos - A. B. LDA
 Rua Francisco de Almeida, Nº 30 – Vila Nova da Telha – 4470 MAIA - Portugal
 Telephone: +351.22.9438070 Fax: +351.22.9420823 e-mail: aber@aber.pt <http://www.aber.pt>



Tipping Valve		Ref. DTCA130012P
DT	Open Circuit 130 L ; 1" BSP ; 2 Pressure Range	



Main Data	
Maximum pressure (Bar)	350
Flow rate (l/min)	130
Weight (kg)	5.5

- Notes:**
- ✓ This tipping valve can be used in progressive descent with our air commands ABCD.
 - ✓ Tighten the tipping valve with only three bolts. Do not use the "D" hole. Screw the three bolts with a max. tightening torque of 20 N.m (soft tightening).

ABER is constantly engaged in improving its products and, therefore, reserves itself the right to modify without any further notice the characteristics shown

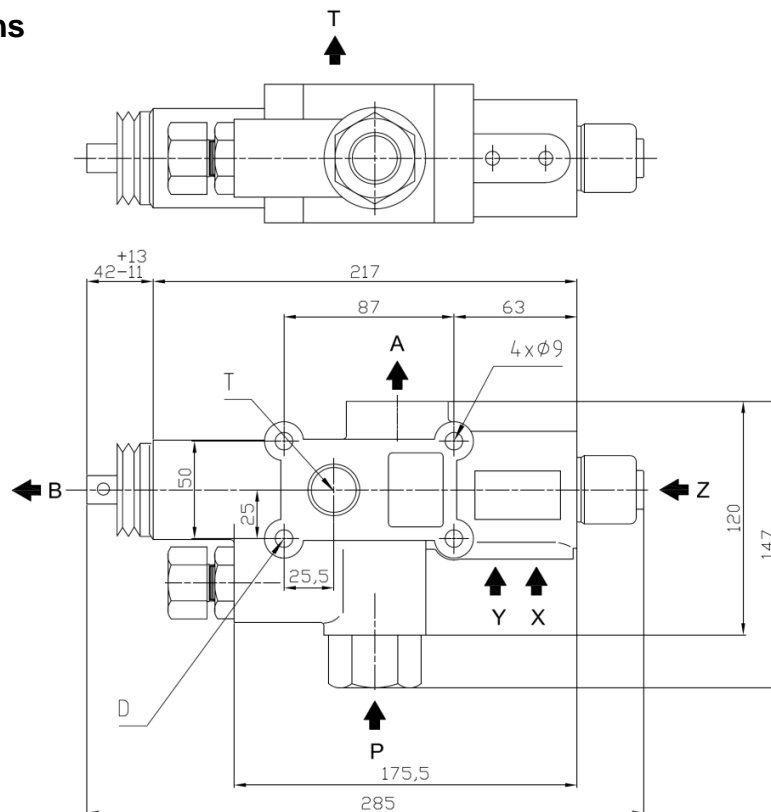


ABER - Embraigens e Comandos Hidráulicos - A. B. LDA
 Rua Francisco de Almeida, Nº 30 – Vila Nova da Telha – 4470 MAIA - Portugal
 Telephone: +351.22.9438070 Fax: +351.22.9420823 e-mail: aber@aber.pt <http://www.aber.pt>



Tipping Valve		Ref. DTCA1302V
DT	Open Circuit 130 L ; 2 Descent Speeds	

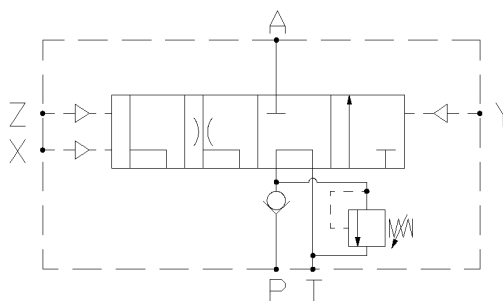
Main Dimensions



2 Descent speed

X – Fast Descent 1/8" BSP
 Z – Slow Descent 1/8" BSP
 Y – Ascent 1/8" BSP

A – Outlet 3/4" BSP
 B – Pull Stroke end
 P – Pump 3/4" BSP
 T – Tank 3/4" BSP



(Dimensions in mm)

Main Data

Maximum pressure (Bar)	350
Operating pressure (Bar)	up to 300
Flow rate (l/min)	130
Weight (kg)	6

Note:

- ✓ This tipping valve can be used in progressive descent with our air commands ABCD.
- ✓ Tighten the tipping valve with only three bolts. Do not use the "D" hole. Screw the three bolts with a max. tightening torque of 20 N.m (soft tightening).

ABER is constantly engaged in improving its products and, therefore, reserves itself the right to modify without any further notice the characteristics shown



ABER - Embraagens e Comandos Hidráulicos - A. B. LDA
 Rua Francisco de Almeida, Nº 30 – Vila Nova da Telha – 4470 MAIA - Portugal
 Telephone: +351.22.9438070 Fax: +351.22.9420823 e-mail: aber@aber.pt <http://www.aber.pt>

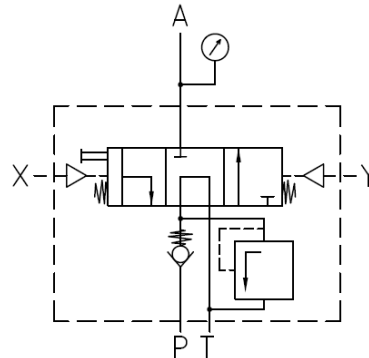
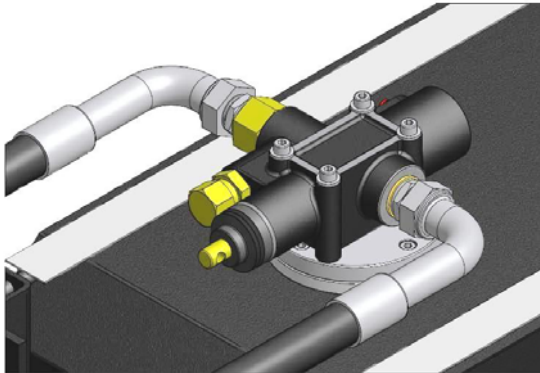


INSTRUCTION TO ADJUST RELIEF VALVE UP TO 250bar DTCA130

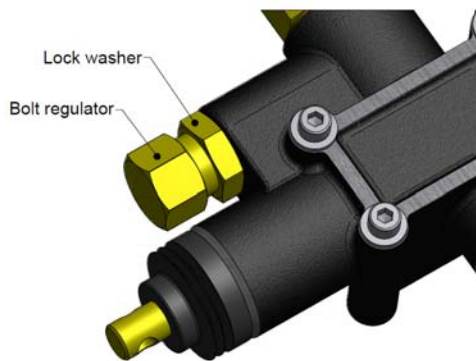
Procedure:

A pressure relief valve is a safety device that relieves overpressure in a hydraulic circuit. When a relief valve is working properly, it protects all the system components against overpressures. To adjust a relief valve, the operator must respect and follow the next steps.

1st- Turn off the whall system and relieve all the pressure in the circuit. Put the air control in the descent position and install a manometer in line "A", please see picture.



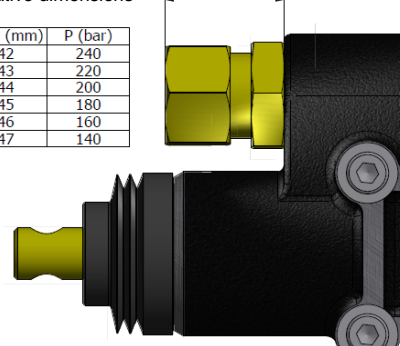
2nd- Unscrew the lock washer and tighten the bolt regulator to the correct pressure, following the dimensions in the drawing.



Indicative dimensions

Dim. (mm)	P (bar)
42	240
43	220
44	200
45	180
46	160
47	140

Dim. (mm)



3rd- Tighten the lock washer, put the air control in the neutral position, turn on the system and work with it. Verify if the correct pressure is on manometer.

4th- With the correct pressure in the manometer, turn off the whall the system and relieve all the pressure in the circuit. Put the air control in the descent position and uninstall the manometer.

5th- Tighten everything well again. Put the air control in the neutral position, and your system is ready to work with the new pressure.

Note : ABER's pressure relief valves have different springs, lock washers and bolt regulators. The different working pressures are up to 250bar and higher than 250bar. A valve controlled to work at 160bar never can be adjusted for a pressure higher than 250bar, and a controlled valve to work at 300bar never can be adjusted to work up to 250bar.

ABER is constantly engaged in improving its products and, therefore, reserves itself the right to modify without any further notice the characteristics shown



ABER - Embraiaagens e Comandos Hidráulicos - A. B. LDA

Rua Francisco de Almeida, Nº 30 – Vila Nova da Telha – 4470 MAIA - Portugal

Telephone: +351.22.9438070 Fax: +351.22.9420823 e-mail: aber@aber.pt <http://www.aber.pt>

1/1