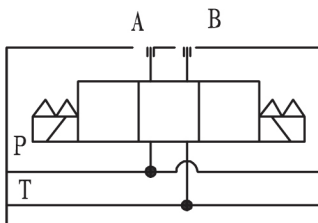


MWE6

MODULAR DIRECTIONAL
VALVE ELEMENTS MWE6

SYMBOL

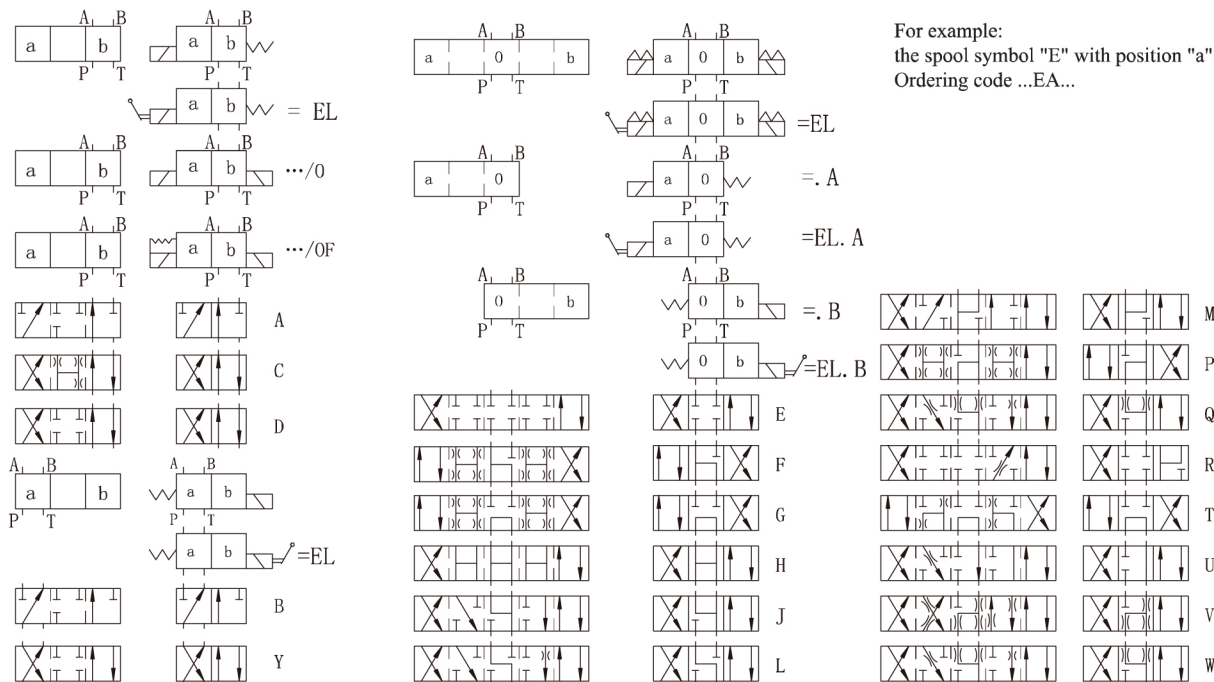


MWE6 series directional control valves are solenoid operated directional spool valves, these valves are used to start, stop and direct flow.

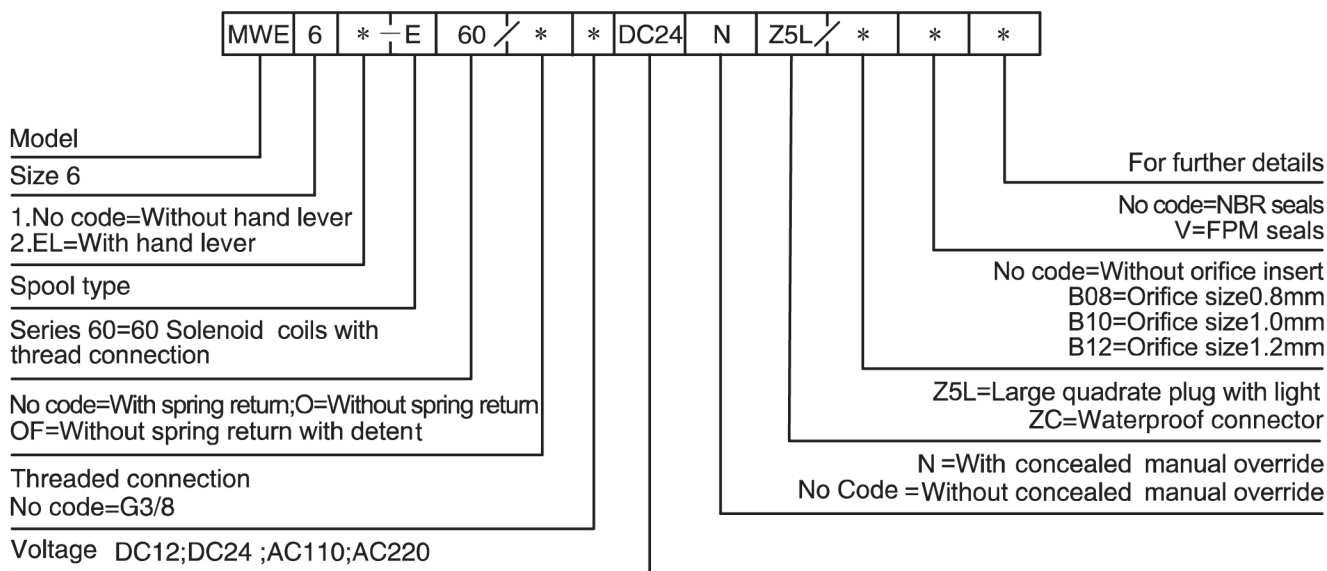
▶ Technical data

Size	6
Max flow rate (L/min)	40
Operating pressure (MPa)	31
Valve body (Material) Surface treatment	casting phosphating surface
Oil cleanliness	NAS class 1638 ISO4406 class 20/18/15

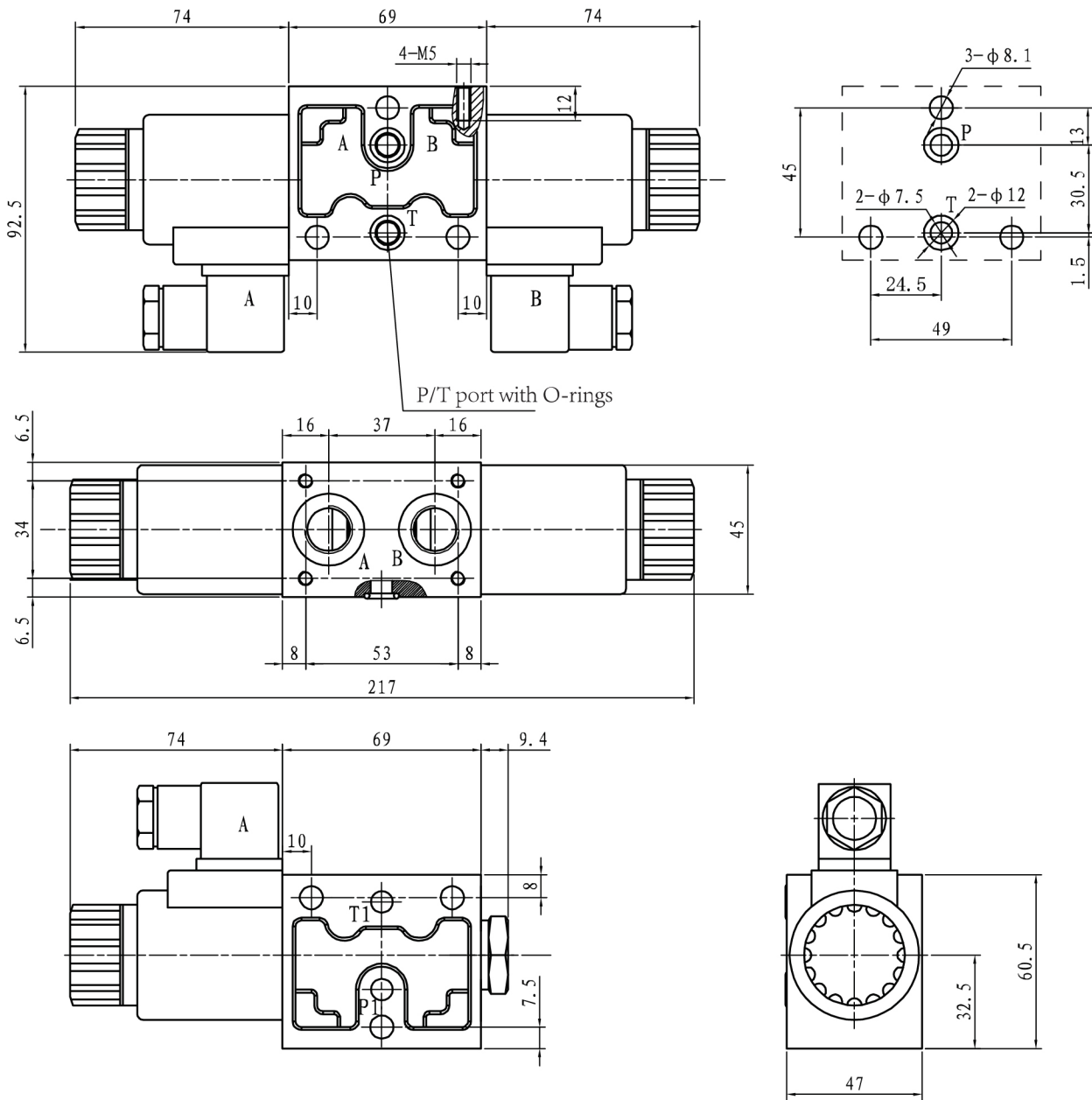
► Spool symbols



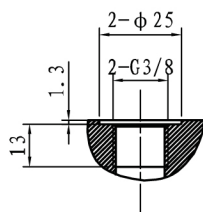
► Ordering Details



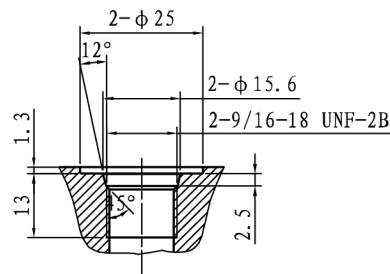
External Dimensions and Fittings



Sectional view of A,B oil port G3/8



Sectional view of A,B oil port SAE8 1.5:1



Installation Dimensions

