



Description

The sensors of series P21 are piezoresistive based on ceramic. Measurement cubicle has excellent long life stability and over load resistance. The transducers supply high accuracy during measure range and decrease the effect of hysteresis. Pressure transmitter's zero point which are designed from PNOMEK R&D engineers, can be set according to customer specifications.

- Long time stability thanks to piezoresistive ceramic cubicle measurement.
- Stainless body and ultra compact design.
- Excellent measurement between -1...600 bar.
- It can be set according to customer specifications.
- Normal it has double resistance to vibration compare to industrial standards.

Application

- Hydraulic and mobile hydraulics
- Pneumatics
- Heavy-Duty machines industry
- Media; Compressed air, liquids, gases.

Technical Features

Mechanical Connection Type : G1/4" G1/8" 1/4"NPT 1/8"NPT
Accuracy @ 25°C : < % $\pm 0,5$ FS
Signal Noise: $\leq \pm 0.2$ % of span
Working temperature : -20°C...+110°C
Reaction time : < 5 ms
Shock Test (DIN EN 60068-2-27:1993) : 30 g
Body Material : 304 Stainless
Viscosity Range : 10 ile 800 mm² /sec
Output : 4 ... 20mA, 0 ... 10V




Order Codes

Model	Body	Leakageproof Type	Mechanical Connection Type	Electrical Con. Type	Pressure			Output Signal
					Code	Pressure Range (bar)	P _{max}	
P21 Model Pressure Transmitter & Transducer	It is delivered as stainless steel 304 body	N NBR If you do not indicate any leakageproof type, It is delivered as "VITON"	A3 G1/4"	T1 DIN 43650 A Connection	V0	-1 ... 0	6 bar	Z1 4 ... 20 mA Z2 DC 0 ... 10 V
					V1	-1 ... 1	6 bar	
					V3	-1 ... 3	6 bar	
					V6	-1 ... 6	15 bar	
					V10	-1 ... 10	30 bar	
					V16	-1 ... 16	45 bar	
			A4 G1/8"	T2 DIN 43650 C Connection	V24	-1 ... 24	75 bar	
					2.5	0 ... 2,5	6 bar	
					6	0 ... 6	15 bar	
					10	0 ... 10	30 bar	
					16	0 ... 16	45 bar	
					25	0 ... 25	75 bar	
			N4 NPT 1/4"	T3 M12 x 1 (4 pin)	40	0 ... 40	100 bar	
					60	0 ... 60	130 bar	
					100	0 ... 100	250 bar	
					160	0 ... 160	350 bar	
					250	0 ... 250	600 bar	
N3 NPT 1/8"		315	0 ... 315	700 bar				
		400	0 ... 400	700 bar				
		600	0 ... 600	1050 bar				

Electrical Connection Type

2 cabled

3 cabled

T1 DIN 43650 A Wide Socket 30 x 30		U _B	1	1
		0V	2	2
		S ₊	-	3
T2 DIN 43650 C Narrow Socket 16 x 16		U _B	1	1
		0V	2	2
		S ₊	-	3
T3 M12 x 1 (4 PIN)		U _B	1	1
		0V	3	2
		S ₊	-	3

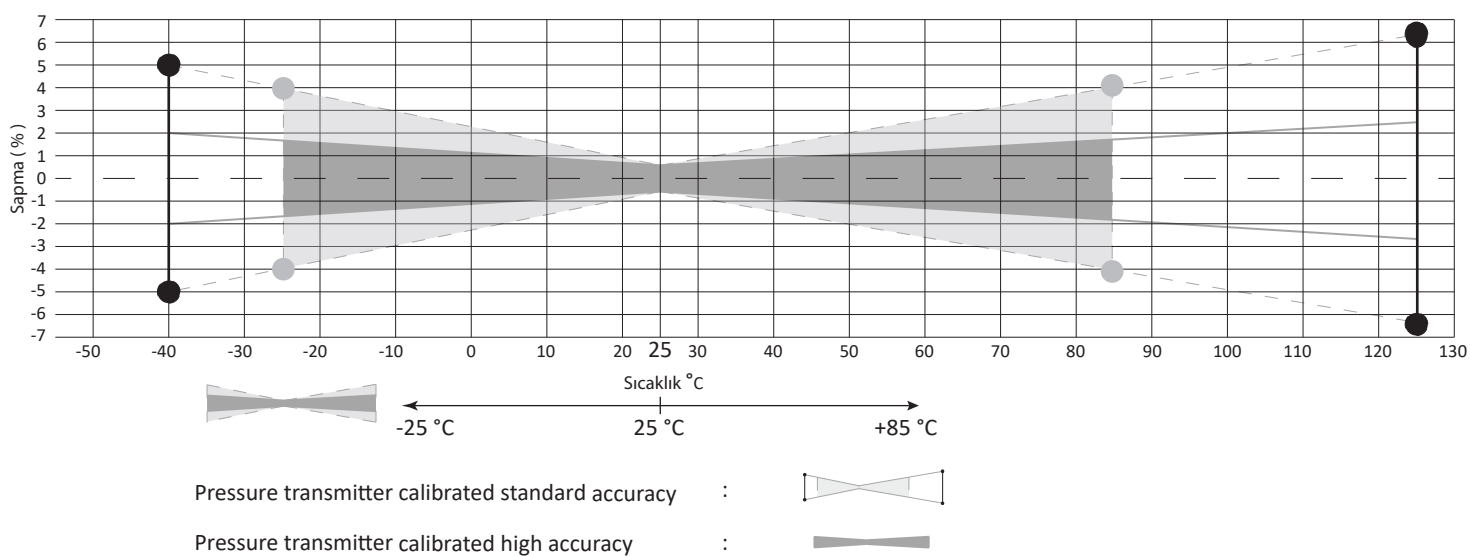
Technical Feature

Special Feature							
Parameters	Unit	Current		Voltage			Rasiometric
Output Signal	-	4 ... 20mA	4 ... 20mA (3 kablolu)	0 ... 10V	0 ... 5V	1 ... 5V	0,5 ... 4,5 V Rasiometric
Input Voltage	VDC	8 ... 30		14 ... 30	8 ... 30		5V ± % 10
Load	Ω	≤(Power supply - 8 V)/0,02 A		> Maximum output signal / 1mA			> 10k
Total current consume	mA	Current Signal, max. 25		8			8
Temperature accuracy 0 ... 80 °C	-	≤ % ± 1 FS					
Action Time	ms	< 5 ms					
Shock Testi	g	30					
Working Temperature	°C	- 20 °C ... 80 °C					
Mechanical Con.	-	G1/4" G1/8" 1/4"NPT 1/8"NPT					
Body Material	-	304 Stainless					

Not: If you have necessary about the out of values, Please contact us.

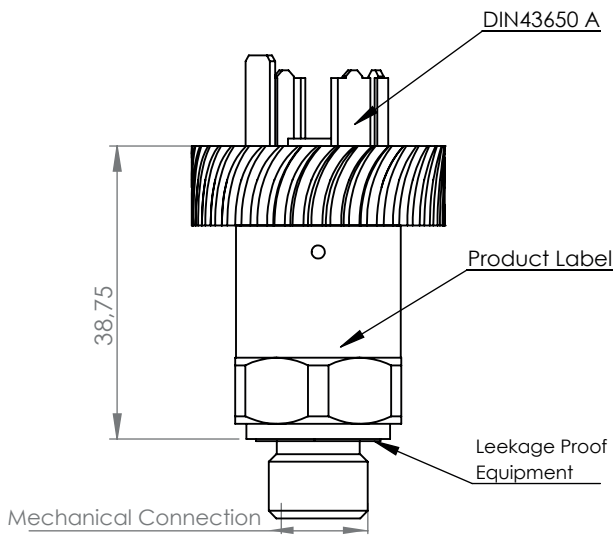
Accuracy Diagram

Temperature/Accuracy Diagram of P23 Series Pressure Transmitter that has Standart and Calibrated High Accuracy

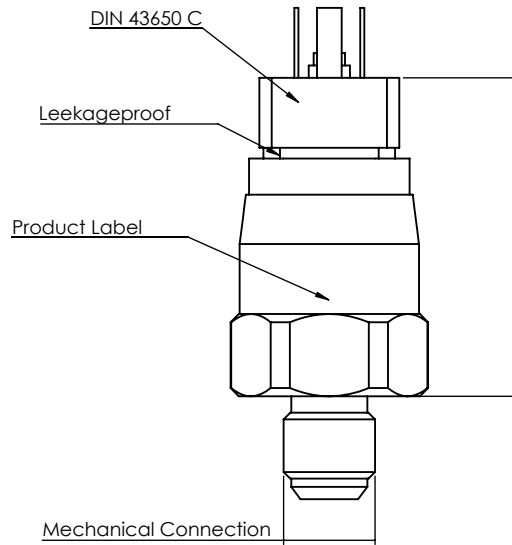


Technical Dimensions

Electrical Connection
T1



Electrical Connection
T2



Electrical Connection
T3

