



Description

The sensors of series P21 are piezoresistive based on ceramic. Measurement cubicle has excellent long life stability and over load resistance. The transducers supply high accuracy during measure range and decrease the effect of hysteresis. Pressure transmitter's zero point which are designed from PNOMEK R&D engineers, can be set according to customer specifications.

- Long time stability thanks to piezoresistive ceramic cubicle measurement.
- Stainless body and ultra compact design.
- Excellent measurement between 0...400 bar.
- It can be set according to customer specifications.
- Normal it has double resistance to vibration compare to industrial standards.

Application

- Hydraulic and mobile hydraulics
- Pneumatics
- Heavy-Duty machines industry
- Media; Compressed air, liquids, gases.

Technical Features

Mechanical Connection Type : G1/4" 1/4"NPT

Accuracy @ 25°C : < % ±0,5 FS

Working temperature : -20°C...+110°C

Reaction time : < 5 ms

Shock Test (DIN EN 60068-2-27:1993) : 30 g

Body Material : 316L Stainless

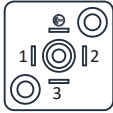

Viscosity Range : 10 ile 800 mm² /sec

Output : 4 ... 20mA - 4 ...20mA (3 cabled) - 0 ... 10V - 0 ... 5V - 1 ... 5V - 0,5 ... 4,5V - 0,5 ... 4,5V (Ratiometric)

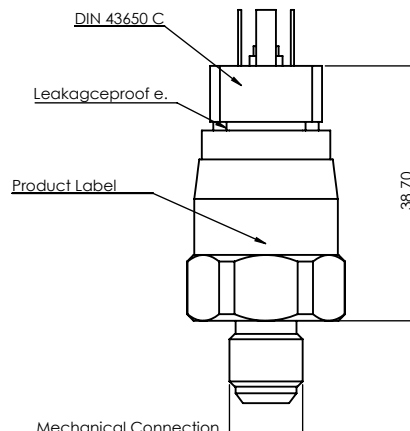
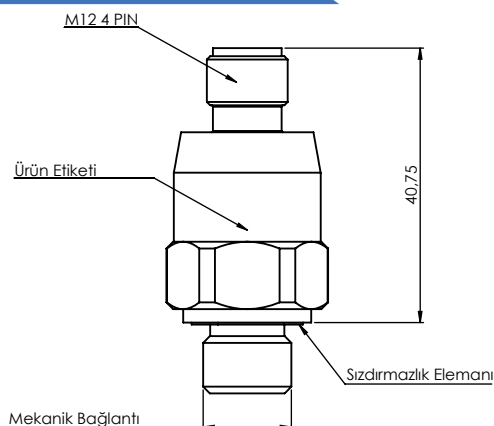
Order Codes

Model	Body	Leakageproof Type	Mechanical Connection Type	Electrical Con. Type	Pressure			Output Signal	Accuracy
					Code	Pressure Range (bar)	P _{max}		
P21 Model Pressure Transmitter & Transducer	It is delivered as stainless "316L" body	N NBR E EPDM H HNBR	A3 G1/4" N4 NPT 1/4"	T2 DIN 43650 C T3 M12 x 1 (4 pin)	2,5	0 ... 2,5	6 bar	Z1 4 ... 20 mA Z1.3 4 ... 20 mA (3 kablolu) Z2 DC 0 ... 10 V Z3 DC 0 ... 5 V Z4 DC 1 ... 5 V Z5 DC 0,5 ... 4,5 V Z6 DC 0,5 ... 4,5 V Rasiometric9	F1 Pressure transmitter that is calibrated high accuracy (Please review Accuracy diagram for accuracy values). If accuracy type doesn't preferred, pressure transmier which is calibrated as standart accuracy, is delivered. (± %0.5 FS @ 25°C)
					6	0 ... 6	15 bar		
					10	0 ... 10	30 bar		
					16	0 ... 16	45 bar		
					25	0 ... 25	75 bar		
					40	0 ... 40	100 bar		
					60	0 ... 60	130 bar		
					100	0 ... 100	250 bar		
					160	0 ... 160	350 bar		
					250	0 ... 250	600 bar		
					315	0 ... 315	700 bar		
					400	0 ... 400	700 bar		

Electrical Connection Type

		2 cabled		3 cabled	
T2 DIN 43650 C Dar Soket 16 x 16		U _B	1	1	1
		0V	2	2	2
		S ₊	-	3	3
T3 M12 x 1 (4 Pin)		U _B	1	1	1
		0V	3	3	3
		S ₊	-	4	4

Technical Dimensions



Technical Feature

Special Feature							
Parameters	Unit	Current		Voltage			Rasiometric
Output Signal	-	4 ... 20mA	4 ... 20mA (3 kablolu)	0 ... 10V	0 ... 5V	1 ... 5V	0,5 ... 4,5 V Rasiometric
Input Voltage	VDC	8 ... 30		14 ... 30	8 ... 30		5V ± % 10
Load	Ω	≤(Power supply - 8 V)/0,02 A		> Maximum output signal / 1mA			> 10k
Total current consume	mA	Current Signal, max. 25		8			8
Temperature accuracy 0 ... 80 °C	-	≤ % ± 1 FS					
Action Time	ms	< 5 ms					
Shock Testi	g	30					
Working Temperature	°C	- 20 °C ... 80 °C					
Mechanical Con.	-	G1/4" 1/4"NPT					
Body Material	-	316L Stainless					

Not: If you have necessary about the out of values, Please contact us.

Accuracy Diagram

Temperature/Accuracy Diagram of P23 Series Pressure Transmitter that has Standart and Calibrated High Accuracy

