



**ORBITAL HYDRAULIC MOTOR**

**MODEL BM3Y**



[WWW.OLEODINAMICAMOZIONI.IT](http://WWW.OLEODINAMICAMOZIONI.IT)



## BM3Y INTRODUCTION

THIS SERIES OF MOTOR, WITH ITS SHELL MADE OF DUCTILE CAST IRON OF ADEQUATE INTENSITY, CAN BE APPLIED TO SITUATIONS WITH LESS LOAD AND INTERVAL OPERATION, WIDELY TO AGRICULTURE, FORESTRY, PLASTICS, MACHINE TOOLS AND MINI MACHINES, SUCH AS THE MOLD HEIGHT ADJUSTMENT OF THE INJECTION MOLDING MACHINE, THE CLEANER, THE SAWMILL THE WORKTABLE ETC.



## BM3Y TECHNICAL DATA

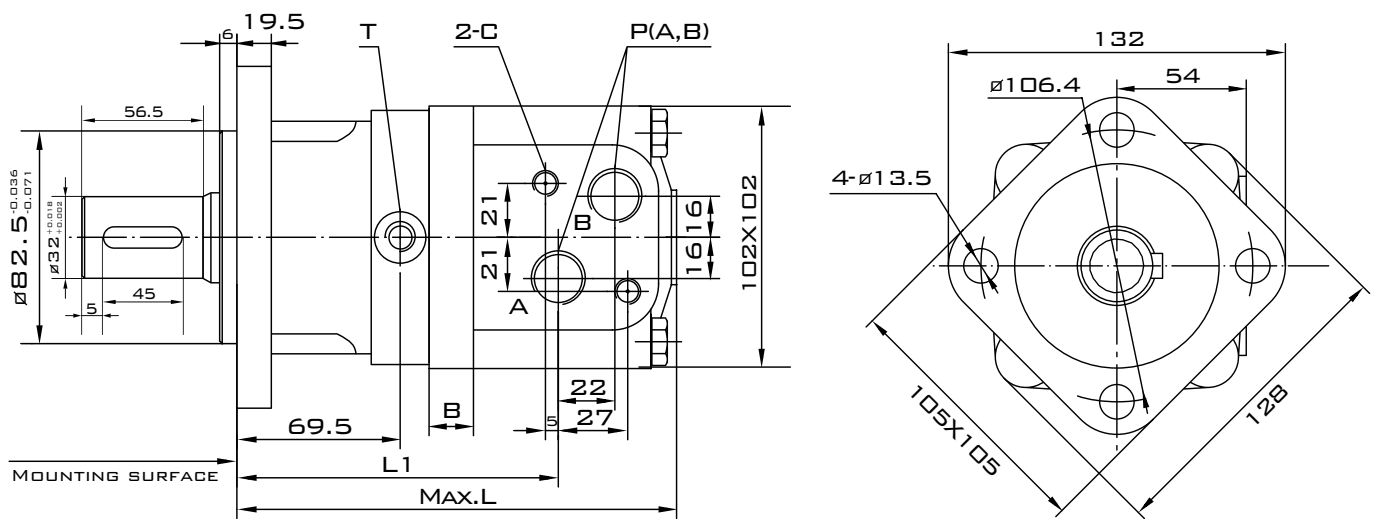
TYPE		BM3Y-80 BM3WY-80	BM3Y-100 BM3WY-100	BM3Y-125 BM3WY-125	BM3Y-160 BM3WY-160	BM3Y-200 BM3WY-200	BM3Y-250 BM3WY-250	BM3Y-315 BM3WY-315	BM3Y-400 BM3WY-400	BM3Y-500 BM3WY-500
DISPLACEMENT (CM <sup>3</sup> /R)		80.5	100.5	126.3	160.8	200.9	252.6	321.5	401.9	476.5
MAX. PRESSURE DROP (MPA)	CONT.	20.5	20.5	20.5	20.5	20.5	20	20	15.5	12
	INT.	27.9	27.9	27.9	26	25	25	24	19	14
	PEAK.	29.5	29.5	29.5	28	27	27	26	21	16
MAX. TORQUE (N·M)	CONT.	226	282	355	451	564	684	870	813	728
	INT.	293	365	459	559	672	845	1032	1021	903
	PEAK.	306	383	481	588	708	891	1091	1141	1044
MAX. SPEED (R/MIN)		805	745	590	465	370	295	230	185	155
MAX. FLOW (CONT.) (L/MIN)		65	75	75	75	75	75	75	75	75
MAX. OUTPUT POWER (CONT.) (KW)		16	18	18	18	18	18	17	11	9
WEIGHT (KG)		9.8	10.0	10.3	10.7	11.1	11.6	12.3	13.2	14.3

INTERMITTENT OPERATION THE PERMISSIBLE VALUES MAY OCCUR FOR MAX. 10% OF EVERY MINUTE  
PEAK LOAD: THE PERMISSIBLE VALUES MAY OCCUR FOR MAX. 1% OF EVERY MINUTE



**BM3Y INSTALLATION**

TYPE	BM3Y-80	BM3Y-100	BM3Y-125	BM3Y-160	BM3Y-200	BM3Y-250	BM3Y-315	BM3Y-400	BM3Y-500
L	170	170	178	184	191	200	212	226	239
L1	125.5	129	133.5	139.5	146.5	155.5	167.5	181.5	194.5
B	11	14.5	19	25	32	41	53	67	80



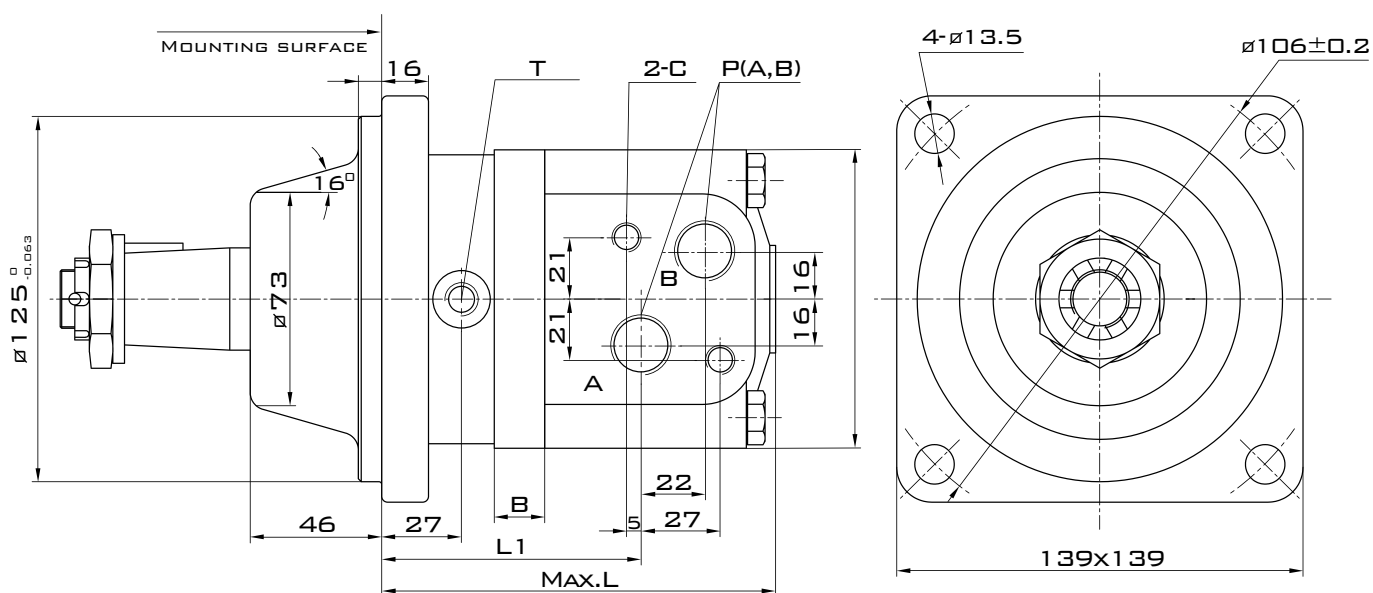
SQUARE FLANGE A

**BM3Y PORTS CODE**

CODE	PORTS	P(A,B)(DEEP)	C(DEEP)	T (DEEP)
Y		G 1/2 (15)	M10 (12)	G 1/4 (12)

### BM3WY INSTALLATION

TYPE	BM3WY-80	BM3WY-100	BM3WY-125	BM3WY-160	BM3WY-200	BM3WY-250	BM3WY-315	BM3WY-400	BM3WY-500
L	127.5	131	135.5	141.5	148.5	157.5	169.5	183.5	196.5
L1	83	86.5	91	97	104	113	125	139	152
B	11	14.5	19	25	32	41	53	67	80



### BM3WY PORTS CODE

CODE	PORTS	P(A,B)(DEEP)	C(DEEP)	T (DEEP)
Y		G 1/2 (15)	M10 (12)	G 1/4 (12)

