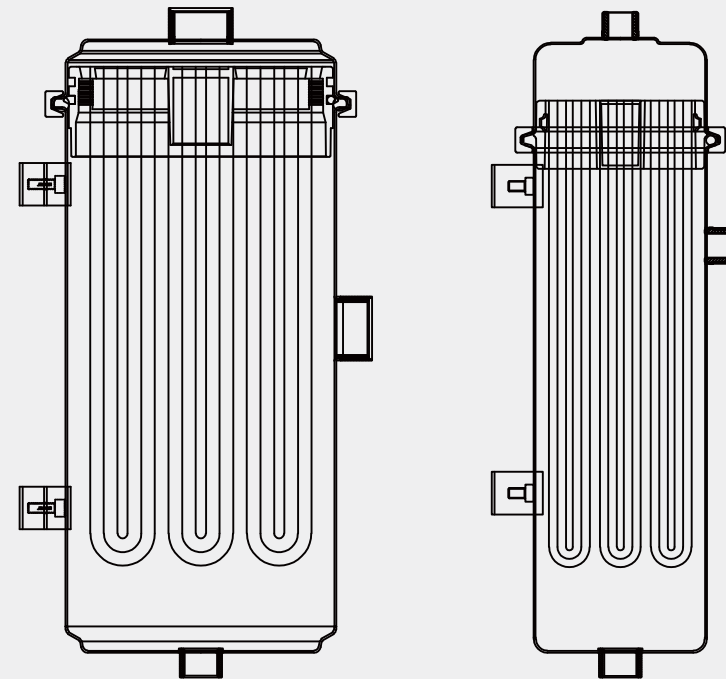


# Removable UF water filter

## User's manual



**Healthy life comes from  
good and filtrated water**



- The cover picture is based on the rendering of the water purifier, please refer to the actual product
- Please use municipal tap water, please don't use it if you don't know the water source
- Please read this manual carefully before using the product and keep it properly

## Dear users

thank you for choosing to use our UF water filter. I hope our products can bring health and comfort to your life.

Before you install and use this machine, please read this manual in detail, and install, use, maintain and maintain it reasonably according to the provisions of this manual to ensure that you get safe and high-quality water at any time. If you encounter difficulties in installation and use, or have any comments or suggestions on our products and services, please consult customer service or call the national customer service hotline. Please keep this manual for reference

## Contents

I . Precautions .....	1
II . working principle .....	2
III. The main technical parameters .....	2
IV. Features .....	3
V . Product Features.....	3
VI. Installation and commissioning.....	3
VII. Instructions .....	5
VIII. maintenance .....	5
IX. Common fault handling .....	7
Warranty description .....	8
Warranty Card .....	9

# Warranty Description











This manual is accompanied by a warranty card, please fill in it carefully and keep it properly.

1. Warranty period: one year from the date of invoice (except for filter elements)
  2. The following conditions are not covered by the warranty
    - 1) Replace the worn-out parts.
    - 2) Failure and damage caused by improper use, self-repair and transformation
    - 3) Failures and damages caused by irresistible disasters such as fires, earthquakes, and floods.
    - 4) Failures not recorded in this manual.
  - 5) If the warranty card is not filled in at the time of purchase or is altered after filling in, the warranty will not be granted.
  - 6) The warranty period has expired.
  - 7) The water pressure exceeds 0.4MPa, causing damage to the water purifier or related parts.
3. Within the warranty of the water purifier, if the fault is caused by the quality of the product itself, please bring the completed repair card and the purchase invoice to the local after-sales service outlet for repair.
- Do not disassemble the water purifier by yourself, otherwise the product warranty will be lost, and the company will not be responsible for any quality problems or accidents caused by this
4. If the parts code and the whole code do not match the company's record code, the company will not accept it.
  5. For product maintenance outside the free warranty, the company will only charge reasonable parts and maintenance costs, and provide the best quality service.

If you don't know, please consult customer service or call the national customer service hotline.

If the product has technical improvements, it will be compiled into the new version of the manual without notice; the appearance and color of the product are subject to change, subject to the actual product.

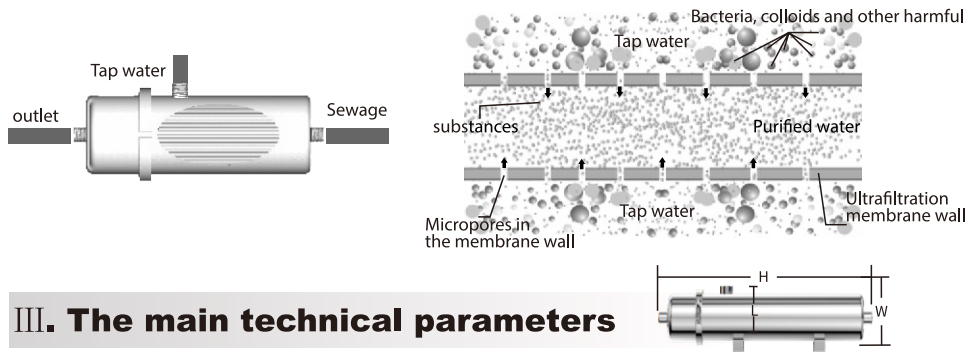
## I .Precautions

-  In order to use this product more safely, please pay attention to the following
-  Troubleshooting: When the water purifier fails, please cut off the water source quickly
-  Avoid children's contact: Do not let children operate
-  Emergency call: For help, please call customer service or national customer service hotline
-  Maintenance: Do not disassemble the parts on the water purifier by yourself to prevent water leakage and damage
-  Temperature: Please use it in a dry place at 5-45°C
-  Accessories and filter elements: In order to maintain the normal operation of the water purifier, please be sure to use the filter elements provided by our company
-  Antifreeze: Do not store or expose the water purifier to an environment below 5°C
-  Avoid sunlight and outdoors: Avoid installation in places exposed to direct sunlight and outdoors
-  Heated: It is forbidden to store flammable, explosive or deformable items near the body

1. This water purifier is suitable for municipal tap water, please use it with caution if you don't know the water source.
2. The best working pressure of this water purifier is 0.1-0.4MPa. If the water supply pressure is not within this range, a pressure reducing valve or booster pump can be used to ensure the effective operation of the water purifier.
3. The pipeline machine provided by our company is the best matched and meets the requirements of the placement site.
4. The sewage outlet is used for washing water or discharge, and it is not allowed to drink
5. When using the water purifier for the first time, open the water purifier faucet to release the water. There may be a small amount of foam, which is a normal phenomenon. Please rinse until the water is clear before drinking.
6. Please cut off the water source before maintenance to avoid water leakage.
7. Do not remove the parts on the water purifier at will to prevent water leakage and damage to the water purifier.
8. Handle with care during loading, unloading, transportation and installation.

## II . Working Principle

This water purifier uses PVDF external pressure ultrafiltration membrane to filter, and the principle of wave passing is shown in the figure below.



## III. The main technical parameters

Water production	Machine specifications (L*W*H)	Filter specifications	When replacing
1000L/H	338*156*142mm	102*250mm	18 months
2000L/H	530*156*142mm	120*450mm	18 months
3000L/H	398*218*208mm	159*250mm	18 months
5000L/H	598*218*208mm	159*400mm	18 months
8000L/H	898*218*208mm	159*750mm	18 months
10000L/H	1168*218*208mm	159*1000mm	18 months

Note: The manual measurement of the size is for reference only, please refer to the actual size, more sizes will not be displayed one by one

product name	Clamp type water purifier	shell material	304 stainless steel
Power requirements	No electricity needed	Water purification effect	Drink straight
Applicable water source	Municipal tap water	Wastewater ratio	No waste water
Filtration process is suitable	PVDF ultrafiltration membrane	Production Date	See the certificate for details
Water temperature	5-45°C	utilized location	End inlet
Water pressure	0.1-0.4MPa (It is recommended that the user install a pressure reducing valve before the water inlet of the water purifier, so as to avoid the user's excessive water pressure or instability, which will cause the water purifier to leak and cause losses)		
Executive standard	"Ultrafiltration water purifier for household and similar purposes"QB/T 4143-2010		

Remarks: 1. The flow of purified water has a great relationship with the inlet pressure, the ambient temperature of use, and the quality of the raw water, which is subject to actual use.

2. Due to the continuous improvement of the product, the technical index changes caused by the product will not be notified otherwise

## IX.common troubleshooting

If you encounter a general failure during use, you can judge and solve it according to the following table. If it still can't be solved, please contact customer service for repair. Do not disassemble and repair by yourself to ensure safety and maintain full warranty rights.

Number	Failure phenomenon	Cause Analysis	Solution
1	Purified water flow becomes smaller	Tap water pressure is too low or water is cut off	Use after the water (pressure) returns to normal
		Excessive accumulation of air in the water purifier	Exhaust the air in the water purifier
		Insufficient flushing, clogging of retentate	Strengthen flushing, or ask professionals to clean
		Poor tap water quality	Increase the pretreatment device or increase the flushing frequency
2	Purified water is muddy	The use time is too long, the ultrafiltration membrane is aging	Replace the ultrafiltration membrane filter element
		Membrane wire is damaged or broken	Ask a professional to repair
		Displacement or damage of the sealing ring, leakage of water ingress and purified water	Ask a professional to repair
3	Water purifier leaks	Tap water iron and manganese exceed the standard	Pretreatment of tap water to remove iron and manganese
		Poor sealing of end cap	Replace it or ask a professional to repair it
		The shell has trachoma	Replace it or ask a professional to repair it
		Sealing ring aging	Replace the sealing ring
4	The purified water has a peculiar smell	The connecting parts of each nozzle are not connected properly	Reconnect
		Poor sealing of end cap	Rinse repeatedly or ask a professional to repair
5	Purified water has bubbles	The shell has trachoma	Use after the water quality returns to normal
		Sealing ring aging he connecting parts of each nozzle are not connected properly	Drain for about 30 seconds before reusing the water for the first time every day or after the water is stopped

In continuous use, the water purification capacity of the water purifier may slowly decay:

1. In order to ensure the stable operation of the water purifier, during use, please turn on the tap of the tap water outlet as much as possible to continuously flush the ultrafiltration membrane (you can use the fast switch, after 20 seconds, quickly turn off the tap for 5 seconds, (The method of continuous washing multiple times)
2. When multiple flushing still fails to provide clean water flux, the following methods can be used:
  - A. Remove the water purifier, fill the water purifier with 2/3 of the volume of water, plug each nozzle with a plug, shake it hard for about 5-10 minutes, and then drain the water in the machine. Repeat this 3 to 5 times, reinstall the water purifier, and rinse for 1 minute.
  - B. Contact our company's customer service and send professionals to clean it.
3. It is recommended to rinse and remove the trapped substances in the water purifier before the water purification flux of the water purifier attenuates by 30% to ensure the water production capacity
4. Due to the different water quality in different areas, it is recommended to strengthen the flushing frequency for areas with poor water quality.
5. When the water purification capacity of the water purifier is attenuated to affect your normal water use, please contact customer service and send a professional to deal with it.

## IV. Product characteristics

1. With ultrafiltration membrane as the core, the filtered drinking water is fresh and clean.
2. Selected high-quality parts, reliable operation and long service life,
3. Optimized structural design, simple installation, convenient cleaning and core replacement

## V. Product function

Ultrafiltration technology is used to directly purify municipal tap water, which can effectively remove harmful substances such as sand, rust, colloid, suspended matter, organic matter, bacteria, etc. in the raw water. The water is fresh and clean.

## VI. Installation and commissioning

1. Choice of installation method:

After selecting the water purifier you need to buy, please consult customer service about the auxiliary parts plan. The customer service will list the auxiliary parts plan for you in addition to the accessories attached to the machine according to the diameter, material, installation location and water use method of your household water pipe. Or after you purchase this water purifier, learn from the following introduction and purchase relevant pipes and accessories that match your water pipes.

The following only briefly introduces the general standard installation method.

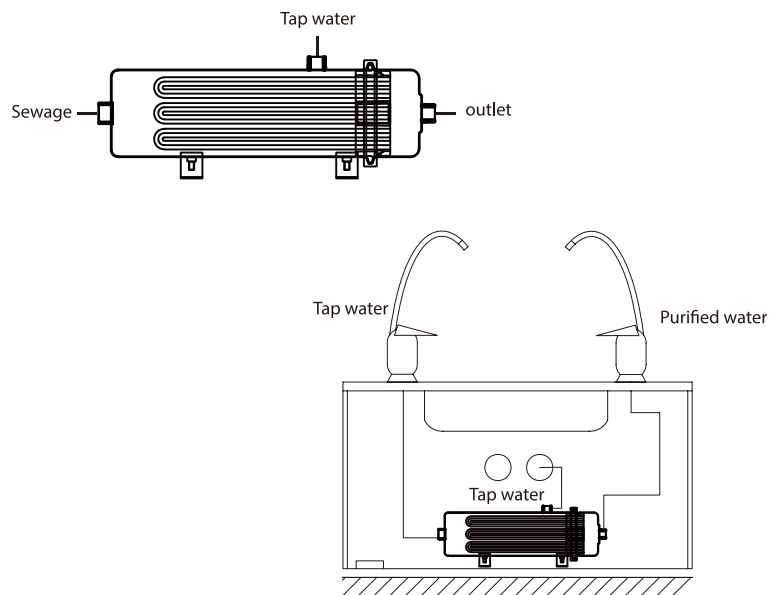
The standard installation method of water purifier can be divided into four types: horizontal installation under the kitchen, vertical installation under the kitchen, outdoor horizontal installation, and outdoor vertical installation. Please choose the appropriate installation method according to your actual needs.

2. Choice of installation location:

- 1) Choose a location with water source and drain.
- 2) Choose a location with a solid wall to facilitate the fixation of the water purifier.
- 3) Choose to install in the main or branch according to the purpose of the purified water, but it must be installed after the water meter.

### 3. Installation note

1: the specific installation should be applied according to different models and water purification.



#### 4. Install the water purifier

- 1) Remove the package, read the manual, and check the random accessories (see the packing list of the manual). If there is any discrepancy, please contact customer service
- 2) If fixed installation is required, select the installation location, and mark the fixed point according to the position of the screw hole of the fixed base. It is required to choose a strong wall for the fixing point, and pay attention to avoid the place where the wall material is loose and there are built-in pipes or power cords. It should be fixed near the two sides of the water purifier to prevent the water purifier from sliding under the action of gravity after installation.
- 3) Use an electric drill to make a hole at the marked position on the wall, and drive the expansion pin into the drilled hole
- 4) The steel belt is inserted into the fixing seat to fix the water purifier.
- 5) It is best to use the vertical installation method for the water purification machine (the horizontal installation method can also be selected according to the site conditions).
- 6) Please install the water purifier in a place with a floor drain or smooth drainage to avoid accidental water leakage and cause property damage

Leak inspection method of water purifier:

Slowly open the main tap water valve and slowly close the water point valve. After waiting for 5 minutes, press the joints with a paper towel. If the paper towel is not wet, it means that the seal is good.

Note: Please note for users to install by themselves:

The screw plugs of the three water inlets and outlets of the water purifier are only used for sealing during storage and transportation, and cannot be used as pressure-bearing parts in installation.

## VII. Using method

1. Complete the above installation work.
2. Turn on the tap water valve, slowly turn on the tap and water purification tap, and after filtering for 15 minutes, the purified water filtered by the ultrafiltration membrane can be obtained, which can be used for drinking, eating, and bathing.
3. Turn on the tap to rinse the water purifier. The rinse water can be used for washing hands, mopping the floor, watering flowers, etc.
4. Frequent flushing: The process of taking water from the tap faucet in daily use is the process of flushing the water purifier, which helps to improve the filtration efficiency and the service life of the ultrafiltration membrane.
5. It is recommended to take water from the tap for washing hands, mopping the floor, watering flowers, etc. every day. Each use is to rinse the water purifier once, so as to increase the service life of the ultrafiltration membrane of the water purifier.

## VIII. Maintenance:

1. When it is newly installed or reused after a long period of water failure, there will be a small amount of air in the water purifier, which should be removed in time. The presence of air will reduce the effective use area of the ultrafiltration membrane, thereby affecting the water production capacity of the water purifier
2. It is recommended to discharge for 10 seconds before using it for the first time every day or after the water is stopped, which can effectively exhaust the gas accumulated in the tap water pipe and the water purifier.
3. Once the ultrafiltration membrane in the water purifier is soaked, it should always be kept moist. If it is short of water or exposed to the air for a long time, the membrane filaments will dry, resulting in reduced flux or even unusable use.