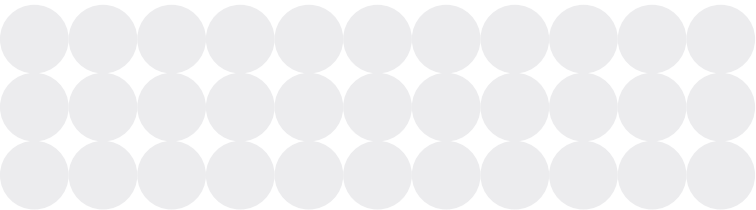


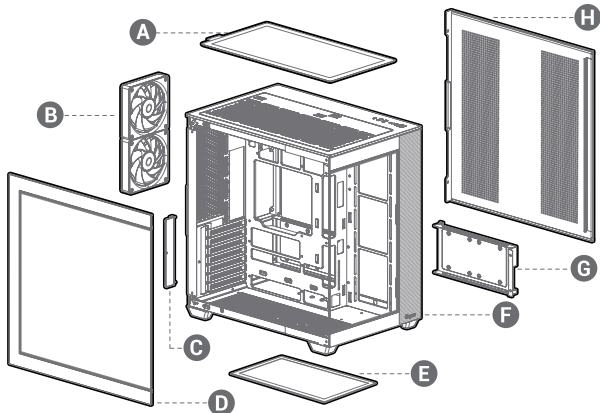
Ocypus

Delta C74 SERIES

CASE



Case Features



Case Specifications

Length: 424 mm Maximum CPU Cooler Height :160mm
Width: 285 mm Maximum GPU Length :410mm
Height: 452 mm Maximum Power Supply Length:240mm

• **B** Only Delta C74 ARGB Series per-installed

Radiator compatibility

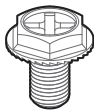
Top: 240/280/360mm
Side: 240/360mm
Bottom: 240/360mm

Fan locations

Top: 120mm*3/140mm*2
Side: 120mm*3
Rear: 120mm*2
Bottom: 120mm*3

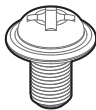
Accessory Kit Contents

I



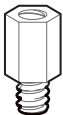
x6

J



x18

K



x3

L



x9

M

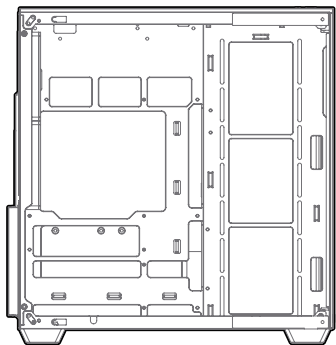
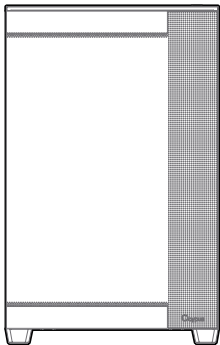


x5

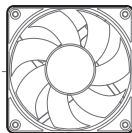
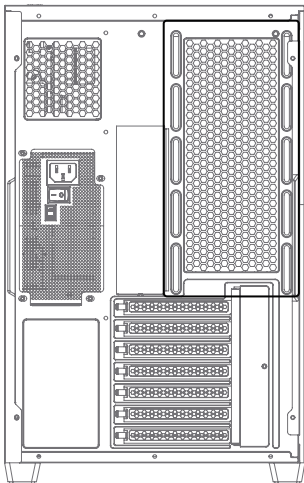
Specifications

285 mm

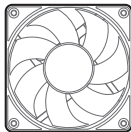
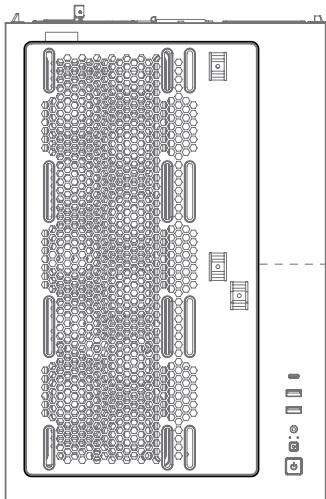
424 mm



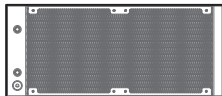
452 mm



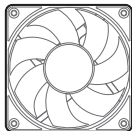
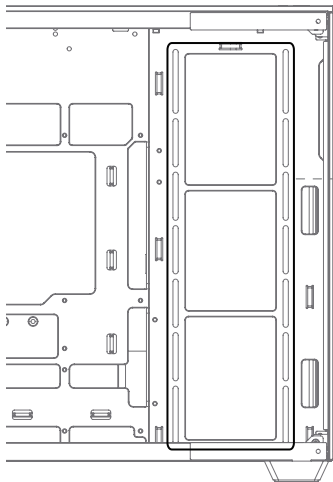
120mm x 2
(per-installed)



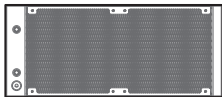
120mm x 3
140mm x 2



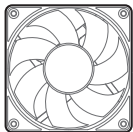
240mm
280mm
360mm



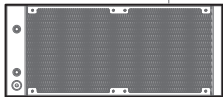
120mm x 3



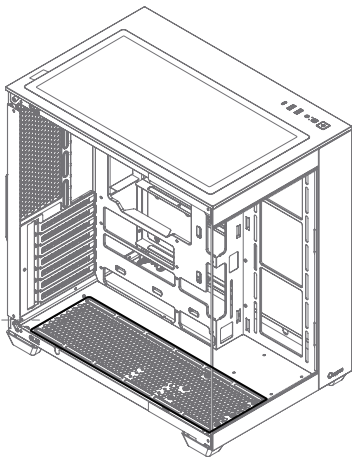
240mm
360mm



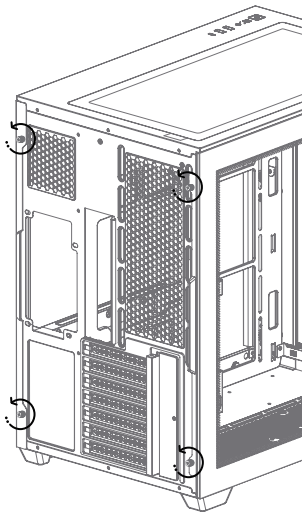
120mm*3



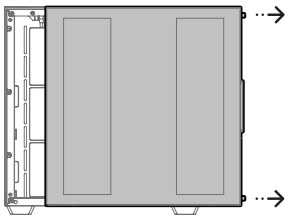
240mm
360mm



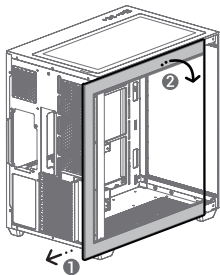
Removing the Tempered Glass & Side Panel



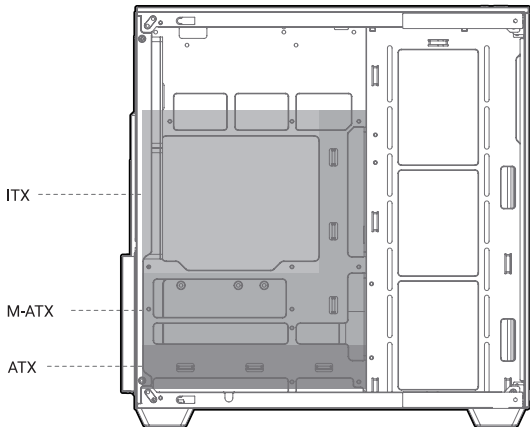
RIGHT SIDE PANEL



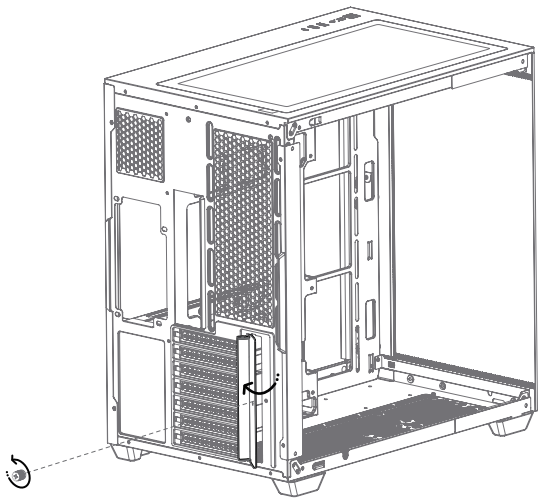
LEFT SIDE PANEL



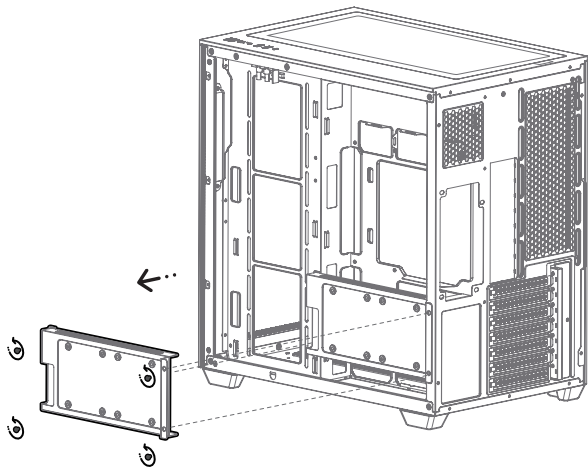
Installing the Motherboard



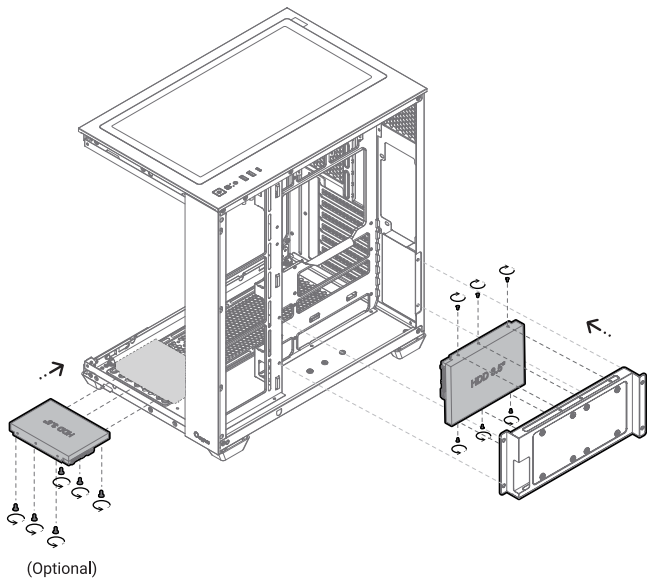
Installing the GPU



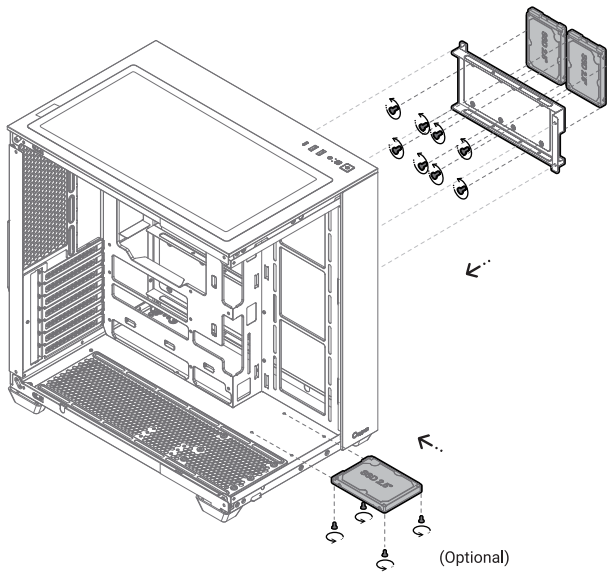
Installing HDD&SSD



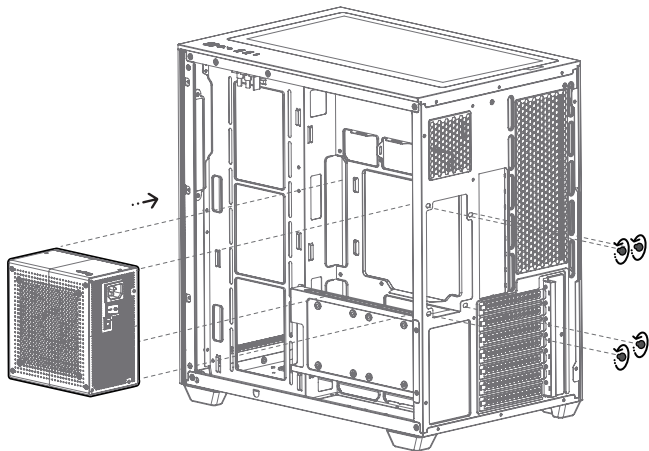
Installing HDDs



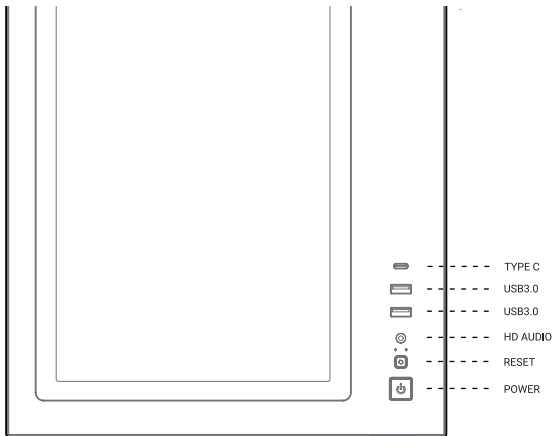
Installing SSDs



Installing the Power Supply

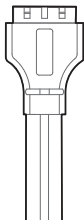


I/O Panel Introduction

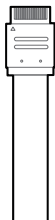


For reference only, please refer to the real product.

Installing the Front I/O Connectors



USB3.0



Type C



HD AUDIO



POWER
SW



POWER
LED

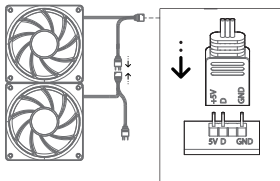


HDD LED

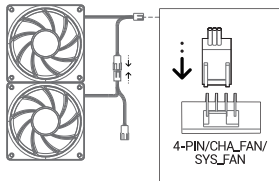


RESET SW

Connect Fan ARGB



Connect Fan



-
- EN** For more information, please check our website at: www.ocypus.com
 - DE** Für weitere Informationen besuchen Sie bitte unsere Website unter: www.ocypus.com
 - FR** Pour plus d'informations, merci de visiter notre site internet: www.ocypus.com
 - ES** Para más información, por favor, visite nuestra página en: www.ocypus.com
 - IT** Per ulteriori informazioni, visitate il nostro sito web: www.ocypus.com
 - PT** Para mais informação, visita o nosso website em: www.ocypus.com
 - CS** Další informace najdete na našich webových stránkách: www.ocypus.com
 - SV** För mer information, gå till vår hemsida på: www.ocypus.com
 - PL** Więcej informacji można znaleźć na naszej stronie internetowej: www.ocypus.com
 - TR** Daha Fazla bilgi için, lütfen websitemizi ziyaret ediniz: www.ocypus.com
 - RU** Больше информации на сайте: www.ocypus.com
 - UK** Щоб отримати додаткову інформацію, перегляньте наш веб-сайт: www.ocypus.com
 - KK** Көбірек ақпарат алу үшін біздің вебсайтымызға кіріңіз: www.ocypus.com
 - JA** 詳細については、以下URL先の公式WEBサイトをご確認ください: www.ocypus.com
 - KO** 자세한 내용은 www.ocypus.com 에서 확인하실 수 있습니다
 - AR** للمزيد من المعلومات , يرجى زيارة موقعنا على www.ocypus.com
 - TH** สามารถดูข้อมูลเพิ่มเติมได้ที่เว็บไซต์: www.ocypus.com
 - VI** Để biết thêm chi tiết, vui lòng kiểm tra tại website: www.ocypus.com
 - ZH** 如需要更多信息, 请浏览网站: www.ocypus.com
 - ZH** 如需要更多信息, 請瀏覽網站: www.ocypus.com
-

Beijing Ocypus Technology Co., Ltd.
Room 407-408, Building 1, No. 39 Linfeng Second Road, Haidian District,
Beijing 100095, China

© 2026 Beijing Ocypus Technology Co.,Ltd. All rights reserved.
"Ocypus™", "Ocypus™" and other commercial identities are legitimate registered
trademarks and commercial identities of the trademarks owner and its affiliates in China
and other countries or regions.
Pictures on this package are for reference only, please refer to the actual product.

www.ocypus.com

