

MSA Serisi

MSA Serie



Belirtilen kapasiteler EBM, Ziehl-Abegg ve muadili fanlara göre hesaplanmıştır.
Capacities are calculated according to EBM or Ziehl-Abegg or equivalent brand fans.

Batarya Özellikleri

Heat Exchanger Specifications

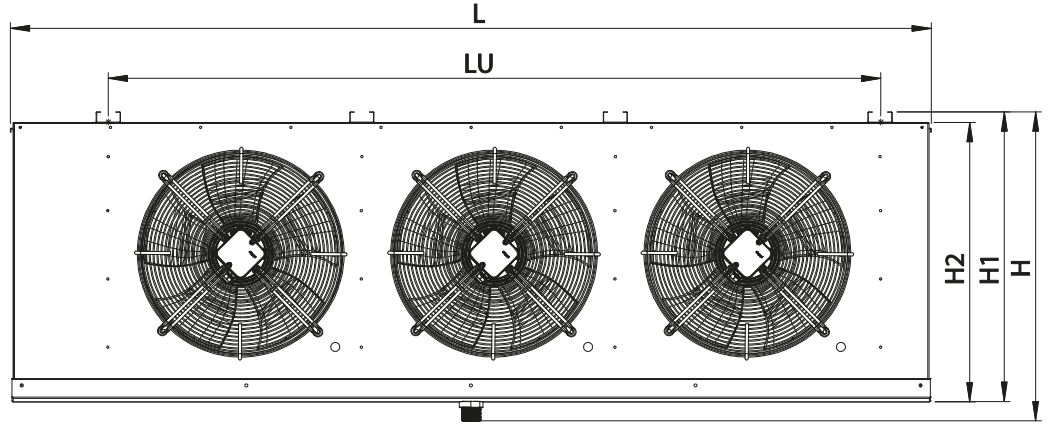
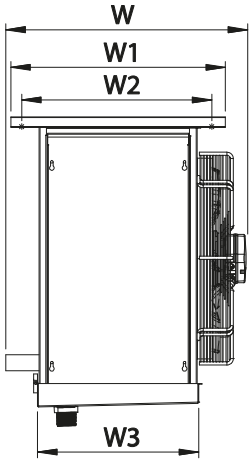
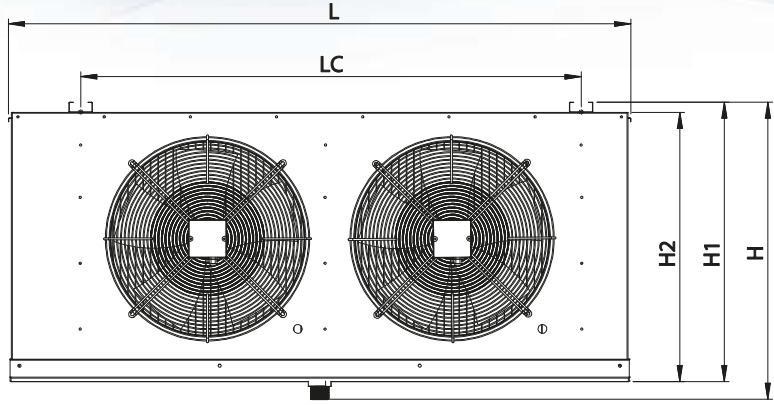
Bakır Boru / Copper Pipe : 1/2"

Hatve / Fin Spacing : 6 mm

Model Model	Yüzey Area	Boru Hacmi Tube Volume	Kapasite Capacity				Fanlar Fans 230V AC 1300-1400 d/d-rpm					Üfleme Mesafesi Air Throw		
			SC1	SC2	SC3	SC4	Hava Debisi Air Flow	Fan Sayısı Number of Fan	Fan Çapı Fan Diameter	Toplam Fan Gücü Total Fan Elec.t Power	Ses Basınç Seviyesi Sound Pressure Level	Yönlendiricisiz Without Streamer	Akış Yönlendiricili With Streamer	
			Te = 0°C TO = +10°C	Te = -8°C TO = 0°C	Te = -25°C TO = -18°C	Te = -31°C TO = -25°C								(Watt)
MSA45 211	28,98	7,05	14.188	9.580	7.500	-	9.760	2	450	490	50	15	32	
MSA45 212	38,63	9,40	17.436	11.806	9.390	-	9.350		450	490	50	14	31	
MSA45 214	57,95	14,10	21.927	15.000	12.120	-	8.640		450	490	50	13	29	
MSA50 211	28,98	7,05	16.840	11.420	8.910	-	14.340		500	1.180	59	20	43	
MSA50 212	38,63	9,40	20.200	13.700	10.700	-	13.280		500	1.180	59	18	39	
MSA50 214	57,95	14,10	26.858	17.902	14.280	-	11.720		500	1.180	59	16	35	
MSA45 312	57,95	14,10	26.154	17.709	14.085	-	14.025	3	450	735	52	14	31	
MSA45 314	86,93	21,15	32.891	22.500	18.180	-	12.960		450	735	52	13	29	
MSA50 312	57,95	14,10	30.310	20.560	16.050	-	19.920		500	1.770	61	18	39	
MSA50 314	86,93	21,15	39.800	27.000	20.950	-	17.580		500	1.770	61	16	35	
MSA45 412	77,27	18,80	34.961	23.689	18.927	-	18.700		450	980	53	14	31	
MSA45 414	115,90	28,20	43.854	30.000	24.240	-	17.280		450	980	53	13	29	
MSA50 412	77,27	18,80	40.410	27.410	21.400	-	26.560	4	500	2.360	62	18	39	
MSA50 414	115,90	28,20	53.550	36.400	28.200	-	23.450		500	2.360	62	16	35	
								Fanlar / Fans 400V AC 880 d/d-rpm						
	(m ²)	(dm ³)	(Watt)	(Watt)	(Watt)	(Watt)	(m3/h)	(n)	(Ø mm)	(Watt)	dB(A)	(m)	(m)	
MSA63 212	92,86	22,60	38.238	25.860	-	-	19.120	2	630	1.220	70	20	43	
MSA63 214	139,30	33,90	48.162	32.696	-	-	17.907		630	1.220	70	19	40	
MSA63 312	139,29	33,90	57.357	38.790	-	-	28.680	3	630	1.830	72	20	43	
MSA63 314	208,95	50,85	72.243	49.044	-	-	26.861		630	1.830	72	19	40	
MSA63 412	185,72	45,20	76.476	51.720	-	-	38.240	4	630	2.440	73	20	43	
MSA63 414	278,60	67,80	96.324	65.392	-	-	35.814		630	2.440	73	19	40	
MSA63 512	232,15	56,50	95.595	64.650	-	-	47.800	5	630	3.050	74	20	43	
MSA63 514	348,25	84,75	120.405	81.740	-	-	44.768		630	3.050	74	19	40	

Standart Oda Soğutucuları

Cubic Type Unit Coolers



Model Model	Defrost Isıtıcılar Electric Defrost Heater			Boyutlar Dimensions										Bağlantılar Connections		Enerji Sınıfı Energy Consumption
	B1		B2	L	H	W	LC	LU	H1	H2	W1	W2	W3	Giriş Input	Çıkış Output	
	Batarya Coil	Batarya Coil	Tava D.Tray													
	(nxW)	(nxW)	(nxW)													
MSA45 211	5x700	5x700	2x700	166	80	56	133	-	75	72	49	45	34	22	28	D
MSA45 212	6x700	6x700	2x700	166	80	56	133	-	75	72	49	45	41	22	35	C
MSA45 214	8x700	8x700	2x700	166	80	62	133	-	75	72	55	51	41	22	35	B
MSA50 211	5x700	5x700	2x700	166	80	56	133	-	75	72	49	45	34	22	28	E
MSA50 212	6x700	6x700	2x700	166	80	56	133	-	75	72	49	45	34	22	35	E
MSA50 214	8x700	8x700	2x700	166	80	62	133	-	75	72	55	51	41	22	35	D
MSA45 312	6x1050	6x1050	2x1050	237	80	56	-	198	75	72	49	45	34	22	35	C
MSA45 314	8x1050	8x1050	2x1050	237	80	62	-	198	75	72	55	51	41	28	42	B
MSA50 312	6x1050	6x1050	2x1050	237	80	56	-	198	75	72	49	45	34	22	35	E
MSA50 314	8x1050	8x1050	2x1050	237	80	62	-	198	75	72	55	51	41	28	42	D
MSA45 412	6X1350	6X1350	2X1350	302	80	56	130	-	75	72	49	45	34	22	42	C
MSA45 414	8X1350	8X1350	2X1350	302	80	62	130	-	75	72	55	51	41	28	42	B
MSA50 412	6X1350	6X1350	2X1350	302	80	56	130	-	75	72	49	45	34	28	42	E
MSA50 414	8X1350	8X1350	2X1350	302	80	62	130	-	75	72	55	51	41	28	42	D
	(nxW)	(nxW)	(nxW)	(cm)	(cm)	(cm)	(cm)	(cm)	(cm)	(cm)	(cm)	(cm)	(cm)	(mm/°)	(mm/°)	
MSA63 212	8X1050	8X1050	2X1050	242	118	72	203	-	113	108	70	65	41	28	54	D
MSA63 214	10X1050	10X1050	2X1050	242	118	81	203	-	113	108	78	73	49	28	54	C
MSA63 312	8X1550	8X1550	2X1550	342	118	72	-	303	113	108	70	65	41	35	64	D
MSA63 314	10X1550	10X1550	2X1550	342	118	81	-	303	113	108	78	73	49	35	64	C
MSA63 412	8X2050	8X2050	2X2050	442	118	72	200	-	113	108	70	65	41	35	64	D
MSA63 414	10X2050	10X2050	2X2050	442	118	81	200	-	113	108	78	73	49	35	64	C
MSA63 512	8X2550	8X2550	2X2550	542	118	72	-	-	113	108	70	65	41	35	64	D
MSA63 514	10X2550	10X2550	2X2550	542	118	81	-	-	113	108	78	73	49	35	64	C