

SYSTEMS AND CONTROL / SCHEDULING MESSAGES / DIGITAL

ZSM-1050

MULTI-ZONE MESSAGE SCHEDULER, BACKGROUND MUSIC PLAYER AND SIP CLIENT



- ✔ Allows playback of scheduled and instant messages
- ✔ SIP client for connection to PBX and SIP devices
- ✔ Triggering of alarms and events by contact closure
- ✔ Easy programming with PC software



+ Info:
<https://fonestar.com/ZSM-1050>

ESPECIALLY RECOMMENDED IN:



Factories



Education



Hotels



All sectors

DESCRIPTION

Multi-zone message scheduler, background music player and SIP client

TECHNICAL CHARACTERISTICS

FEATURES	<p>Message scheduler, event scheduler, background music player and SIP client with 4 outgoing zones.</p> <p>Internal clock function with automatic summer time update.</p> <p>Temporary programming of messages and outputs of general purpose. Reproduction of live messages.</p> <p>Triggering of alarms and events by contact closure</p> <p>Dedicated player of messages, alarms (internal memory) and VoIP. It does not cut the ambient music.</p> <p>Ambient music player from USB/SD or internal memory with multi-channel creation.</p> <p>SIP protocol.</p> <p>PC software for programming, management and transfer of audio files through local area network (LAN) and internet.</p> <p>Priority alarms and messages on ambient music inputs.</p> <p>Internal memory of 16 GB for audio files.</p> <p>USB port and SD card reader for audio file playback and software update.</p>
INPUTS	<p>1 background music aux, 2 x RCA 1 V</p> <p>4 programmable inputs for alarm activation through contact closure, euroblock</p> <p>1 ethernet, RJ-45</p>
OUTPUTS	<p>4 zones, 2 x RCA 2 V</p> <p>4 general purpose relays, euroblock</p> <p>2 link for future applications, RJ-45</p>
POWER SUPPLY	<p>100-240 V AC, 9 W and 24 V DC, 0.4 A</p>
DIMENSIONS	<p>435 x 45 x 220 mm depth. 1 U 19" rack</p>
WEIGHT	<p>2.7 kg</p>
ACCESSORIES	<p>Mounts for assembly in 19" rack</p>



+ Info:
<https://fonestar.com/ZSM-1050>

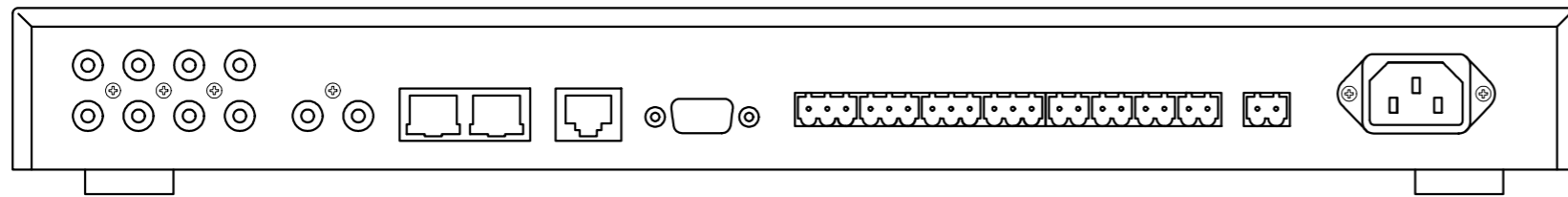
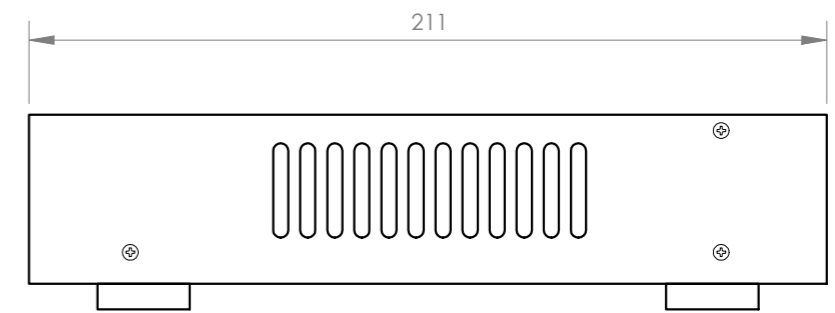
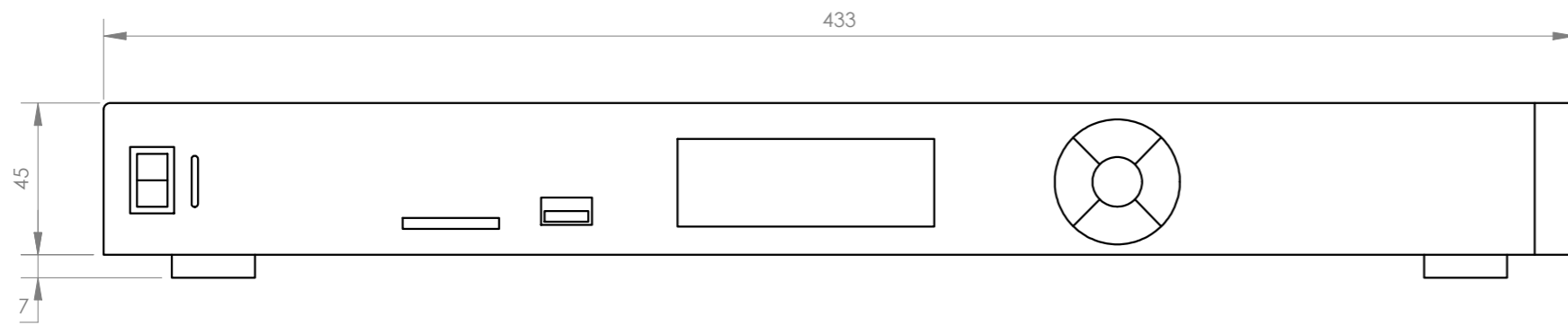
SOFTWARE

PC software ZSM-GO (included)
Access via local area network (LAN) and internet
Multiple ZSM control and management
Message programming and general purpose outputs
Alarm and alarm input configuration
Creation and control of background music channels
Audio file transfer and management
Status monitoring



+ Info:

<https://fonestar.com/ZSM-1050>



FONESTAR

Model
ZSM-1050

Description
MULTI-ZONE MESSAGE SCHEDULER, BACKGROUND
MUSIC PLAYER AND SIP CLIENT

Units
mm

Scale
1:2