








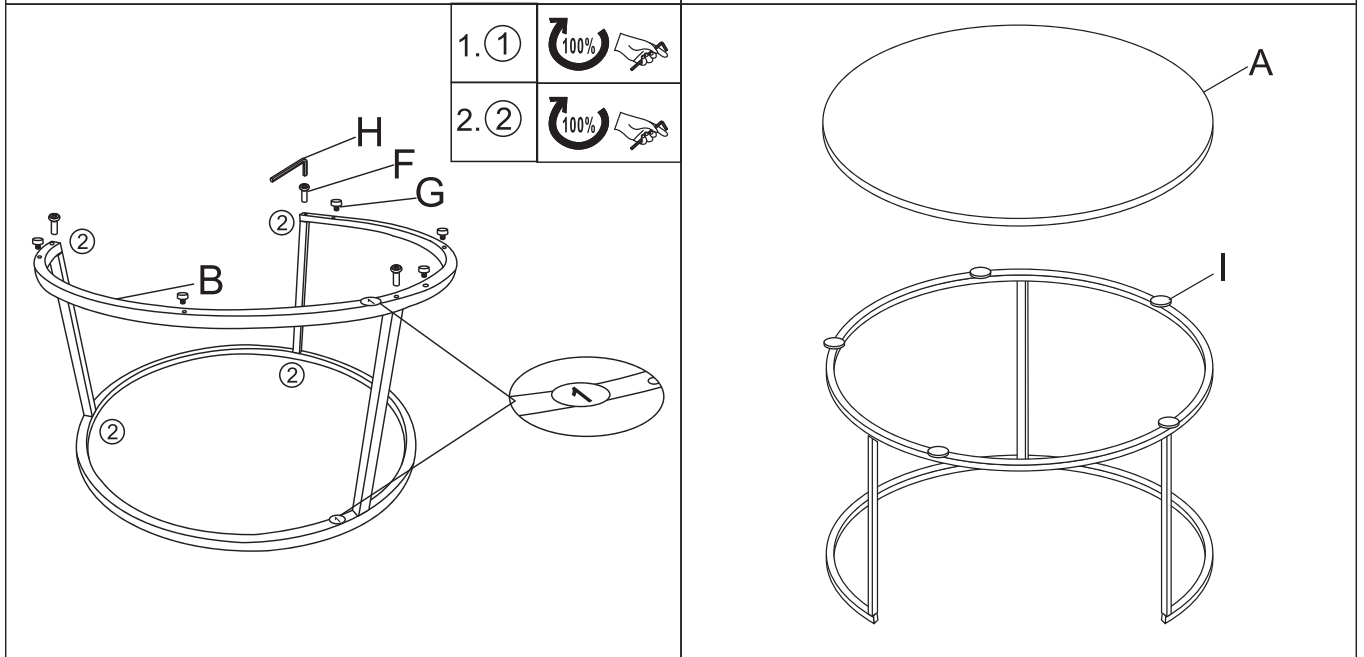
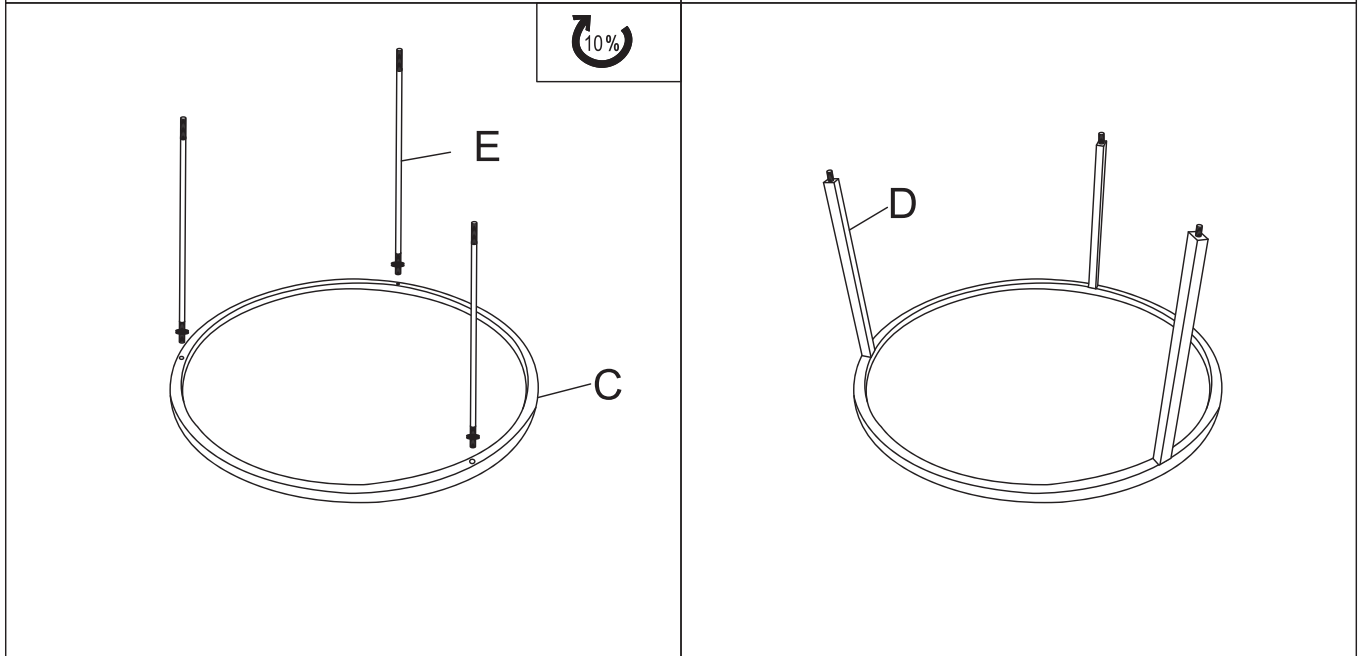
	Ax1 	Bx1 	Cx1 
	Dx3 	Ex3 	Fx3 
	Gx5 	Hx1 	Ix5 



	Ax1 	Bx1 	Cx1 
	Dx3 	Ex3 	Fx3 
	Gx4 	Hx1 	Ix5 

