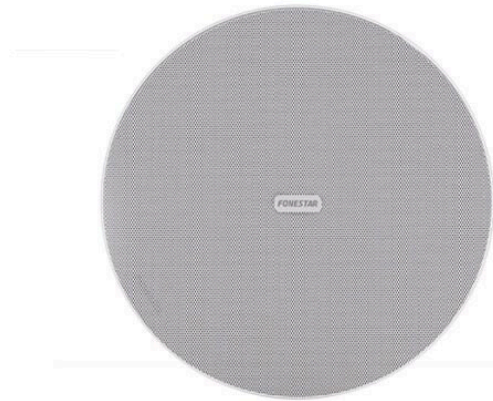


PUBLIC ADDRESS / SPEAKERS / CEILING

# SKY-5T-DOME

5' + 1' CEILING LOUDSPEAKER WITH 100 V LINE TRANSFORMER AND LOW IMPEDANCE



- ✓ 5' + 1' coaxial speaker. 15/10/5/2.5 W RMS@100 V and 15 W RMS@8 Ω
- ✓ Protective dome type back cover
- ✓ Low profile aluminium grille
- ✓ Fast connection terminals and high conductivity. In junction box
- ✓ Anti-fall system for installation assistance



+ Info:  
<https://fonestar.com/SKY-5T-DOME>

ESPECIALLY RECOMMENDED IN:



Hospitality



Retail



Hotels



All sectors

## DESCRIPTION

5" coaxial ceiling speaker with 1" tweeter and rear dome cover. 15/10/5/5 W RMS@100 V and 15 W RMS@8 Ohm. Low profile grille.

## TECHNICAL CHARACTERISTICS

FEATURES	<p>Ceiling loudspeaker with 100 V line transformer and low impedance.                      Protective dome type back cover.                      Low profile frameless grille, constructed from rust resistant aluminium. Detachable, turn-lockable grille. The logo can be removed and painted.                      Fast connection terminals and high conductivity.                      Junction box in the rear cover with inlet and outlet port.                      Anti-fall system for installation assistance.                      Hook for safety cable.                      Stable, worm-gear ceiling brackets.                      Installation in ceilings with limited space.                      Protection against dust and water.</p>
POWER	<p>15 W RMS                      20 W MAX.</p>
SPEAKER	<p>Coaxial loudspeaker.                      5" polypropylene woofer                      1" swivelling tweeter</p>
RESPONSE	<p>100-20.000 Hz @ -10 dB                      120-20.000 Hz @ -3 dB</p>
IMPEDANCE	<p>15 W RMS@100 V (666 Ohm)                      10 W RMS@100 V/70 V (1.000 Ohm/490 Ohm)                      5 W RMS@100 V/70 V (2.000 Ohm/980 Ohm)                      2'5 W RMS@100 V / 70 V(4.000 Ohm/ 1.960 Ohm)                      1.25 W RMS@70 V (3.920 Ohm)                      Low Z: 8 Ohm</p>
SENSITIVITY	<p>86 dB @ 1 W/1 m</p>
SOUND PRESSURE	<p>98 dB @ max. W/1m Continuo                      99 dB @ max. W/1m Pico</p>



+ Info:

<https://fonestar.com/SKY-5T-DOME>

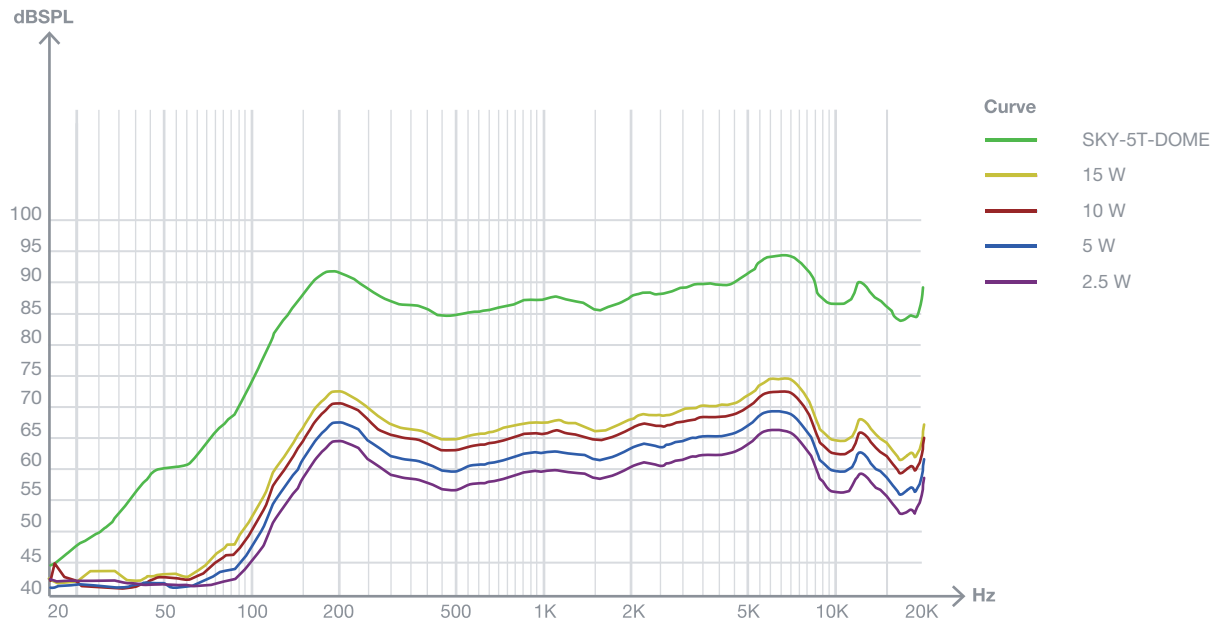
COVERAGE ANGLE	90°@1kHz (- 6 dB)
PROTECTIONS	IP-65 in compliance with IEC 60529 EN ISO 9227:2006 Neutral Salt Spray Test
MATERIAL	ABS (UV resistant) Liquid paint aluminium grille
CONNECTORS	Quick-connect terminals with high conductivity Conductor cross-section: 0.4-4 mm <sup>2</sup> Rubber cable glands for round cables with a diameter of 6-7 mm
SWITCH	W selector in high Z and 8 Ohm. Accessible from the front.
OPERATION TEMPERATURE	-20°C ~ 70°C (48 h)
STORAGE TEMPERATURE	10°C ~ 40°C
MAXIMUM HUMIDITY	95%
COLOUR	White (RAL 9003)
DIMENSIONS	Total loudspeaker: 214 mm Ø x 100 mm height Grille section: 5 mm Recessed height: 95 mm Installation hole: 180 mm Ø Maximum ceiling thickness: 30 mm
WEIGHT	1.3 kg
ACCESSORIES	Installation template



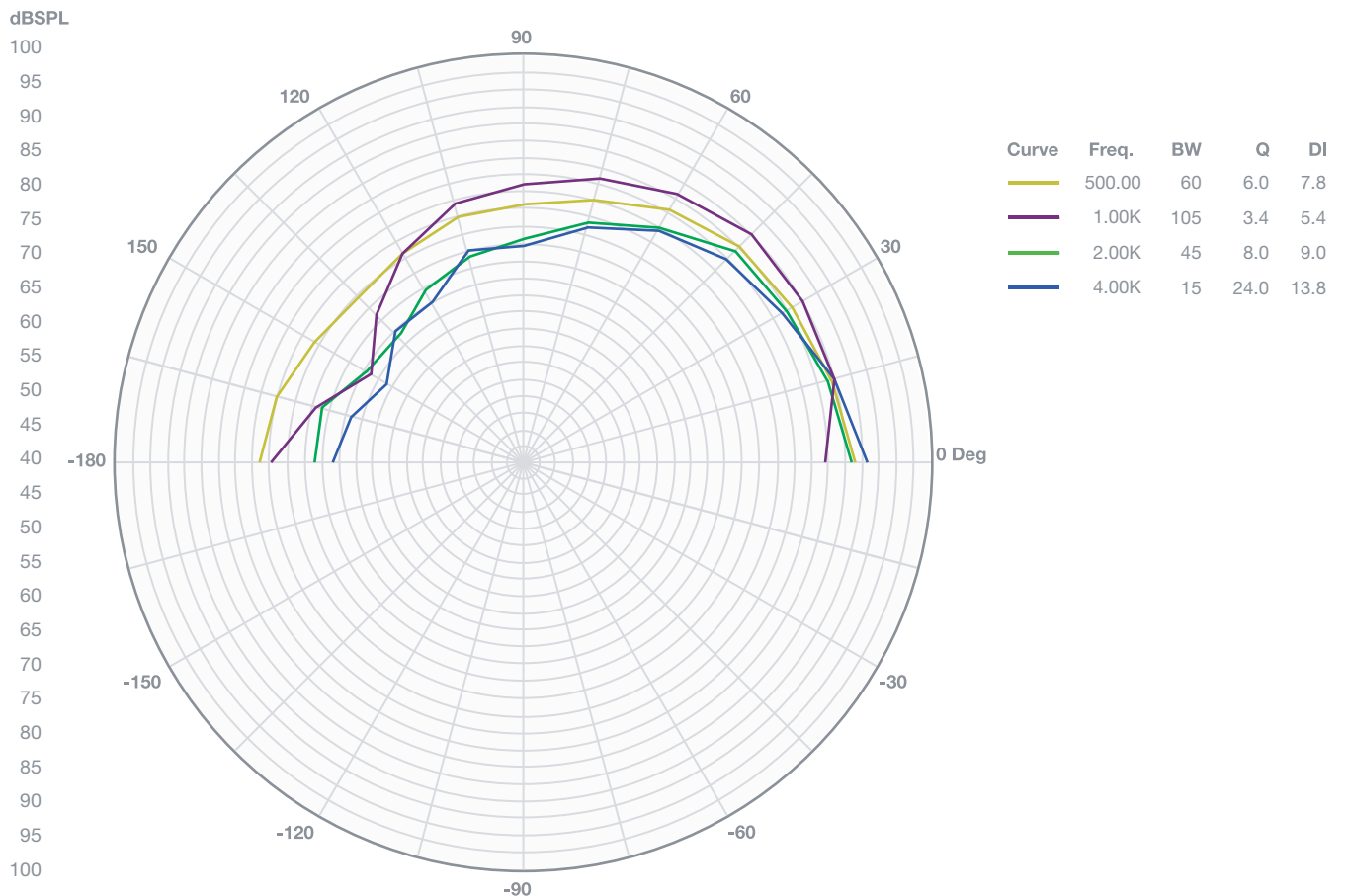
+ Info:

<https://fonestar.com/SKY-5T-DOME>

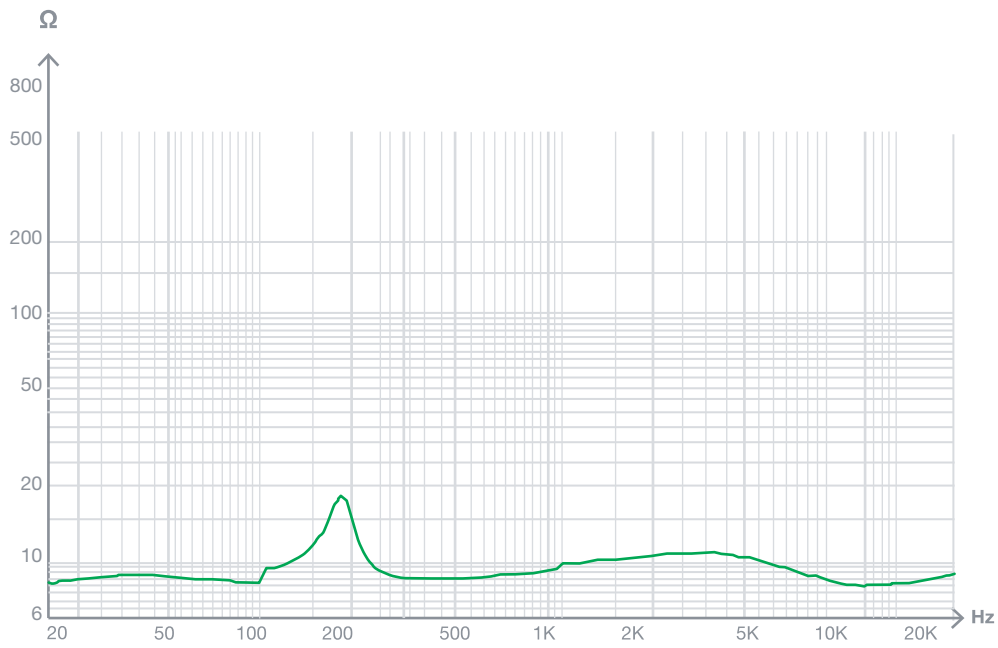
**SPL vs Frequency**

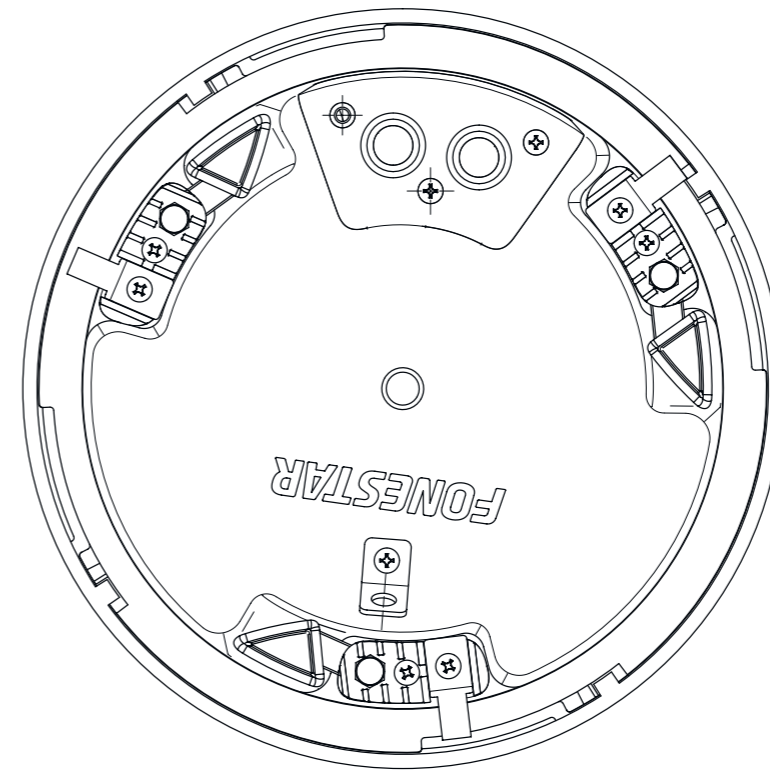
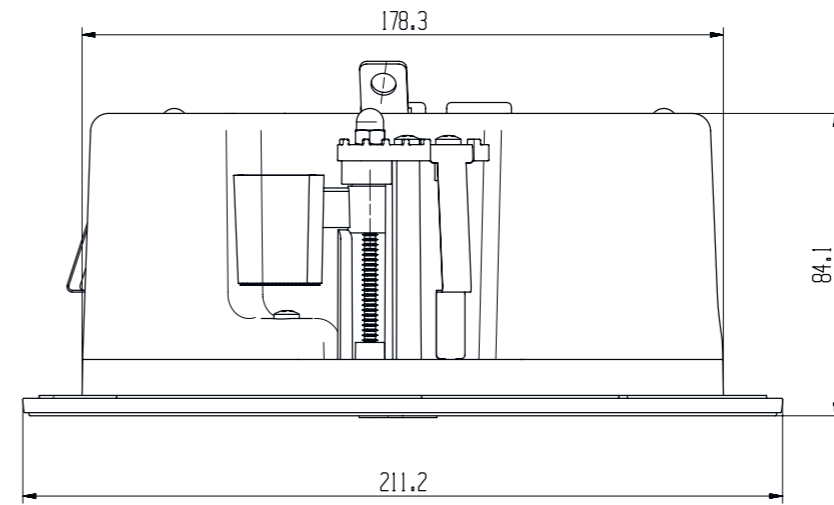
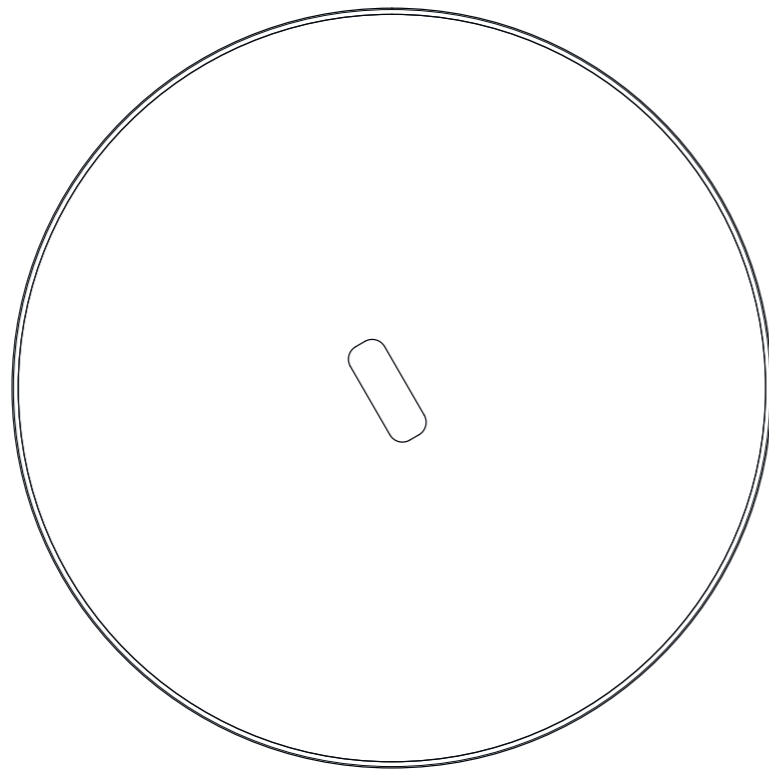


**SPL vs Angle**



●  Impedance vs Frequency





Product:  
SKY-5-DOME + SKY-5T-DOME Line Drawings

Date: 2025-06-12

**FONESTAR**

[www.fonestar.es](http://www.fonestar.es)