

4MP Mini Fixed IR Bullet Network Camera

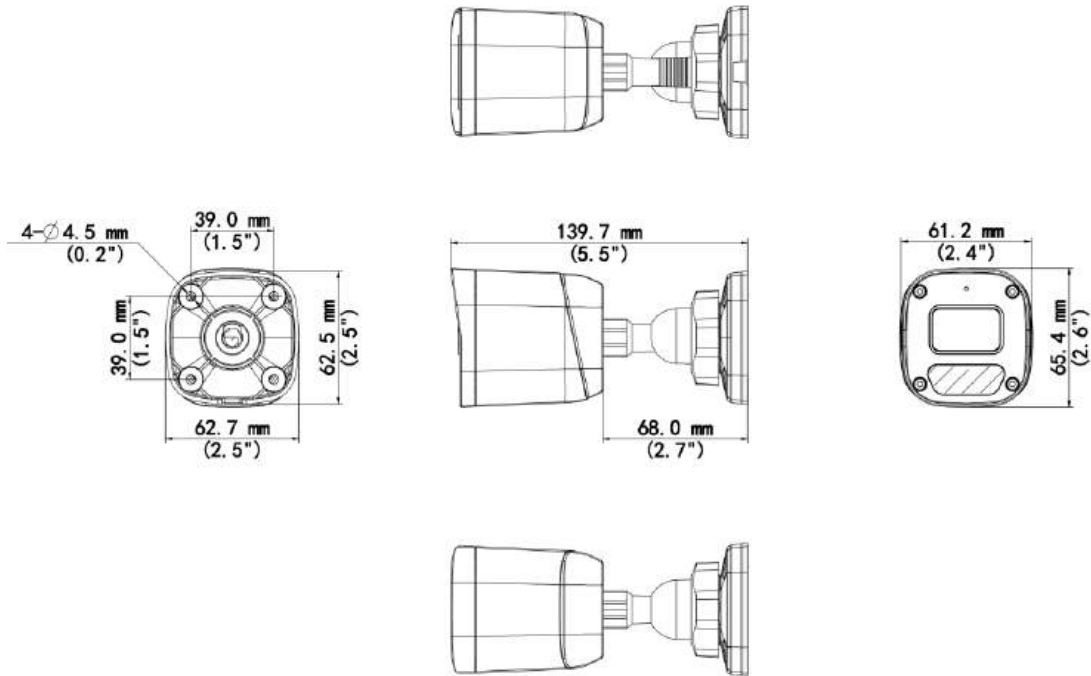
IPC2124LB-AF28(40)-ECO



Features

- High quality image with 4MP, 1/3" CMOS sensor
- 4MP(2560*1440)@25/20fps;3MP (2304*1296)@30/25fps; 1080P (1920*1080)@30/25fps
- Supports accurate human body detection 2.0
- Ultra 265, H.265, H.264
- 2D/3D DNR (Digital Noise Reduction)
- ROI (Region of Interest)
- Smart IR, up to 30m (98ft) IR distance
- 3 Axis
- Built in Mic
- Wide temperature range: -30 °C to 60 °C (-22 °F to 140 °F)
- Support PoE power supply
- IP67

Dimensions



Zhejiang Uniview Technologies Co., Ltd.

No. 369, Xietong Road, Xixing Sub-district, Binjiang District, Hangzhou City, 310051, Zhejiang Province, China (Zhejiang) Pilot Free Trade Zone, China

Email: overseasbusiness@uniview.com; globalsupport@uniview.com

<http://www.uniview.com>

©2025 Zhejiang Uniview Technologies Co., Ltd. All rights reserved.

*Product specifications and availability are subject to change without notice.

*Despite our best efforts, technical or typographical errors may exist in this document. Uniview cannot be held responsible for any such errors and reserves the right to change the contents of this document without prior notice.