

DH-CS4010-8ET2GT-60

10-Port Cloud Managed Desktop Switch with 8-Port PoE



- 8 × RJ-45 10/100 Mbps PoE ports, 2 × RJ-45 Gigabit ports.
- 60 W total PoE budget, 802.3af/at on all PoE ports, additional Hi-PoE on orange port.
- DIP switch to fast turn on/off working mode of Cloud-Managed, PoE Watchdog, Long Distance PoE.
- Wide operating temperature ranging from -10 °C to 55 °C.
- Supports VLAN and loop protection.
- WEB-managed and centralized cloud management through the DoLynk App and performs real-time monitoring of the network.
- Easy config to auto detect and set up network and security systems.



System Overview

Highly intuitive, the Cloud Managed Switch can manage local networks. With the DoLynk Care platform, it can also perform cloud management. The switch performs operation and maintenance using topology visualization on front-end, transmission and back-end storage devices that are in the security system and IT system. With its full metal design, the switch has great heat dissipation and can operate in temperatures ranging -10°C to 55°C(+14°F to +131°F). It offers EMC and has protection against overvoltage, overcurrent, static electricity, lightning strikes, pulses and other types of interference. For the PoE series Smart Managed Switch, power is supplied up to 250 meters away. The orange port supplies up to 60 W and the red port provides up to 90 W. The switch can be used in small and medium-sized businesses such as supermarkets, offices, restaurants, cafés and hotels.

Functions

Managed Mode ON/OFF

Easily switches between managed and unmanaged mode with just the flip of a switch. When in managed mode, you can perform management through the webpage locally or the cloud platform. This allows the device to seamlessly adapt to a variety of scenes.

Cloud Management

Devices can be managed through the DoLynk Care app and performs real-time monitoring of the network. The app also displays the status of devices, triggers alarms for errors in real time and sends notifications.

Network Topology Management

Supports the LLDP protocol and is able to generate and display the network topology, so that you can quickly identify issues, and perform operation and maintenance remotely on devices that are in the topology.

Hi-PoE 60W (Orange Port)

In addition to the IEEE802.3af and IEEE802.3at standards, orange port also supports a maximum power output of 60W for powering high-power devices.

Long Distance PoE

The transmission distance of a PoE port can be up to 250 m, meeting the requirement of wired transmission (bandwidth reduced to 10 Mbps).

PoE Watchdog

Adopts the innovative PoE Watchdog. It enables the switch to automatically detect port status and restart the failed ports to recover connection in case of IPC connection exception. This enables intelligent operation and maintenance management in its true sense and effectively reduces manual maintenance costs.

Loop Protection

When a loop is detected, the loop alarm will be triggered and the elimination mechanism will activate to prevent broadcast storms from occurring.

Scene

Suitable for scenes such as factories and office buildings.

Specification

Basic

Layer	Layer 2
Switching Capacity	5.6 Gbps
Packet Forwarding Rate	4.17 Mpps
Description of Function Slots	Port 1-8: 8 × RJ-45 10/100 Mbps (PoE) Port 9-10: 2 × RJ-45 10/100/1000 Mbps (uplink)
Operating Temperature	-10 °C to +55 °C (+14 °F to +131 °F)
Operating Humidity	10%–90% (RH), non-condensing
Storage Temperature	-40 °C to +70 °C (-40 °F to +158 °F)
Storage Humidity	5%–95% (RH), non-condensing
Power Supply	External Power Adapter (53 V, 1.22 A)
Power Consumption	Idling: 4 W Full load: 63 W
Statics Protection	Air discharge: 8 kV Contact discharge: 6 kV
Lightning Protection	Common mode: 6 kV Differential mode: 1 kV
Net Weight	0.36 kg (0.79 lb)
Gross Weight	0.92 kg (2.03 lb)
Product Dimensions	184.6 mm × 103.3 mm × 27 mm (7.27" × 4.07" × 1.06") (L × W × H)
Packaging Dimensions	252 mm × 137 mm × 113 mm (9.92" × 5.39" × 4.45") (L × W × H)
Casing Material	Sheet metal
Installation	Desktop mount; wall mount
Certifications	CE

PoE

PoE	Yes
PoE Power	Port 2-8≤30 W, port 1≤60 W, totals≤60 W
PoE Protocol	IEEE 802.3af; IEEE 802.3at; Hi-PoE
PoE Power Consumption Management	PoE power consumption management; PoE power on/off; turns off PoE if overload is detected
PoE Pin Assignment	1,2, (V+), 3,6, (V-)
Long Distance PoE Transmission	Yes

Hardware

DIP Switch	Managed Mode: On by default for both local web and cloud management. Off for Unmanaged Mode. PoE Watchdog: Monitors ports 1-8 and auto-restarts the PoE port when there is no traffic for 2 min. (Only works when Managed Mode is Off) Extend Mode: Ports 1-8; transmission distance up to 250 meters at 10 Mbps. (Only works when Managed Mode is Off)
Reset Button	1

Performance

MTBF	2,837,361 hours
Packet Buffer Size	4 Mbit
Jumbo Frame	9216 Byte
MAC Table Size	8K
Communication Standard	IEEE 802.3; IEEE 802.3u; IEEE 802.3x; IEEE 802.3ab; IEEE 802.3az
VLAN Number	32

Feature

VLAN Function	IEEE 802.1Q VLAN
Port Feature	IEEE 802.3x Flow Control Unknown Unicast Suppression Multicast Storm Control Broadcast Storm Control MAC+Port Binding Loop Prevention
Mirror	Local Port Mirroring N:1 Mirroring
Reliability	LLDP
DHCP Function	DHCP Client
Security	Port Isolation
Equipment Management	Web Management Cloud Management Logs Fault Alarm

General

Packing List	1 × User Manual 1 × Legal and Regulatory Information 1 × Power Cord 1 × Power Adapter
--------------	--

Transmission Performance:

Switch power supply voltage 54V.
CAT6. Max. DC resistance < 8 Ω/100 m

Cable(m)	Load Capacity(W)
----------	------------------

IEEE802.3bt 90 W

100	71.3
-----	------

150	62
-----	----

200	51
-----	----

250	40
-----	----

Hi-PoE 60 W

100	46
-----	----

150	42
-----	----

200	37
-----	----

250	32
-----	----

IEEE802.3at 30 W

100	25.5
-----	------

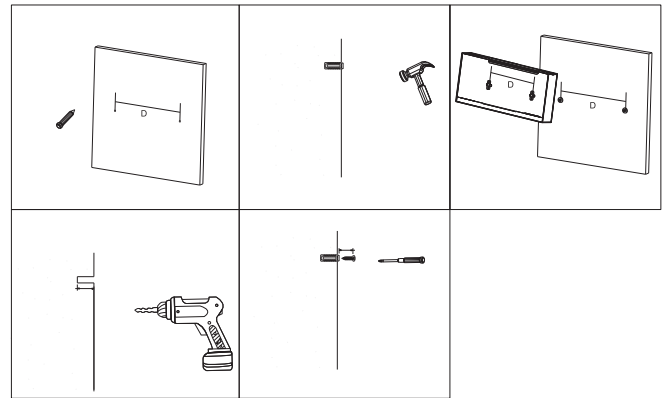
150	25.5
-----	------

200	25.5
-----	------

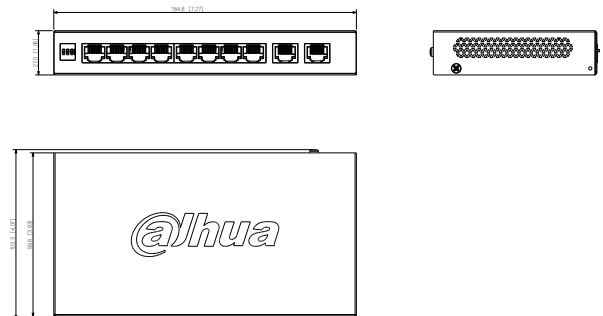
250	24
-----	----

Note: Data from this table was collected by Dahua test lab and is for reference only .
The actual transmission distance may vary due to power consumption of connected devices or the cable type and status.

Installation



Dimensions (mm[inch])



Panels

