



Condensing unit  
Voltage Code : XG

# FHT4532ZHR-XG

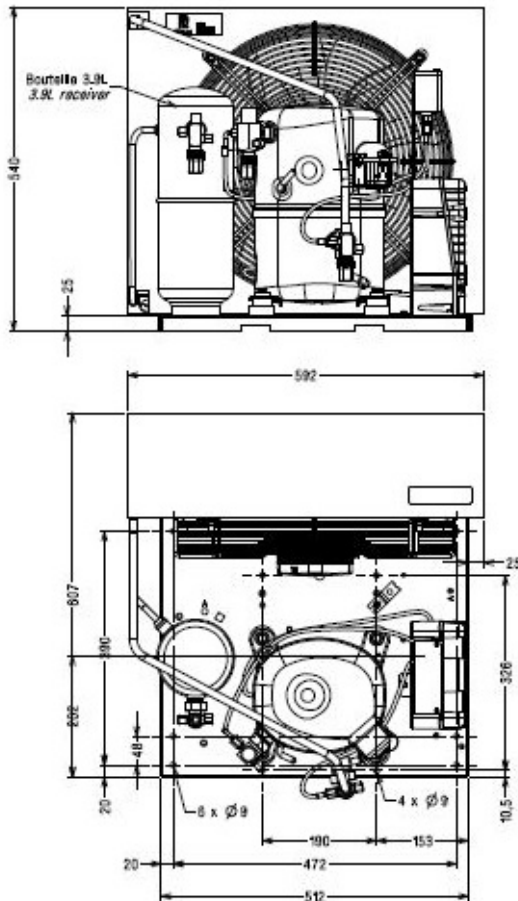
High Temp. Commercial (HP)

380-420V 3~ 50Hz / 460V 3~ 60 Hz

R452A / R404A / R448A / R449A

FHT4532ZHR-XG

Conditions	Frequency	Nominal Cooling Capacity		Sound Power ISO3745 / ISO 3743-1
		Watts	BTU/h	
EN13215 / R452A	50 Hz	3695	12598	80 dBA
EN13215 / R404A	50 Hz	4086	13932	80 dBA
EN13215 / R448A	50 Hz	3592	12249	80 dBA
EN13215 / R449A	50 Hz	3585	12225	80 dBA



\* EN13215 : T°Ambient 32.0°C / T°Evap. -10.0°C / T°Return gas temp.. 20.0°C  
T°Subcooling. 3.0K

<b>Net Weight (Kg)</b>	66.0
<b>Expansion device</b>	Expansion_Valve
<b>Air Flow (m³/h)</b>	3670 / 4050
<b>Elec Comp Type</b>	TRI
<b>Current (Amp)</b>	
Load Rated Amp	5.3
Max Cont Current	7.8
<b>Fan</b>	
Speed (rpm)	1360 / 1520
Power (W)	280.0
Diameter (mm)	420
Protection	Overload
IP Level	IP54
<b>Condenser</b>	M420/20000
<b>Liquid Receiver</b>	
Capacity (L)	3.9
Maximum Pressure (Bars)	32.0
<b>Suction Line</b>	
Suction Type	Vanne Orientable
For Tubing Out Diam	22.2 (7/8")
Suction Connection Type	Brased
<b>Liquid Line</b>	
Liquid Line Type	Vanne Orientable
For Tubing Out Diam	12.7 (1/2")
Liquid Connecton Type	Brased
<b>Connection Type</b>	VR
<b>Fan Guard</b>	maille < à 8mm

Note : Tecumseh reserves the right to change information contained in this document without notification.



**Tecumseh**

<b>FHT4532ZHR-XG</b>	<b>Tension XG : 380-420V 3~ 50Hz / 460V 3~ 60 Hz</b>
----------------------	--

Les performances sont données dans les <b>conditions EN13215</b> :	Gaz aspirés :	20.0 °C
Condition Dew	Sous refroidissement :	3.0 K
The performance data are in <b>EN13215 conditions</b> :	Return gas :	20.0 °C
Dew Condition	Subcooling :	3.0 K

© 2020 Tecumseh Products Company  
All rights reserved

### 50 Hz R452A

**N°User-190**

5   T ambience	6   T évaporation	(°C)	-25	-20	-15	-10	-5	0	5	10	15
<b>25</b>	1   P frigorifique	(Watt)	2034	2692	3422	4215	5064	5952	6865	7784	8692
	2   P absorbée	(W)	1345	1536	1725	1917	2115	2322	2539	2770	3018
	3   I absorbée	(A)	3.44	3.67	3.90	4.14	4.39	4.66	4.95	5.26	5.61
	4   Tc	(°C)	30.1	31.9	33.9	36.2	38.7	41.4	44.3	47.4	50.7
<b>32</b>	1   P frigorifique	(Watt)		2302	2974	3695	4457	5252	6069	6897	7730
	2   P absorbée	(W)		1564	1777	1992	2209	2433	2666	2909	3165
	3   I absorbée	(A)		3.68	3.96	4.23	4.52	4.81	5.13	5.46	5.81
	4   Tc	(°C)		38.2	40.1	42.3	44.6	47.1	49.8	52.6	55.6
<b>43</b>	1   P frigorifique	(Watt)			2278	2883	3511	4162	4835		
	2   P absorbée	(W)			1833	2085	2339	2594	2854		
	3   I absorbée	(A)			4.00	4.34	4.69	5.03	5.39		
	4   Tc	(°C)			50.0	51.9	54.0	56.2	58.5		

### 50 Hz R404A

**N°User-189**

5   T ambience	6   T évaporation	(°C)	-25	-20	-15	-10	-5	0	5	10	15
<b>25</b>	1   P frigorifique	(Watt)	2386	3059	3815	4642	5526	6449	7389	8324	9232
	2   P absorbée	(W)	1419	1599	1779	1961	2148	2340	2542	2754	2980
	3   I absorbée	(A)	3.60	3.81	4.01	4.23	4.46	4.70	4.97	5.25	5.56
	4   Tc	(°C)	30.6	32.3	34.3	36.5	38.9	41.5	44.4	47.4	50.6
<b>32</b>	1   P frigorifique	(Watt)		2653	3342	4086	4872	5688	6519	7350	8168
	2   P absorbée	(W)		1642	1843	2046	2251	2462	2679	2904	3139
	3   I absorbée	(A)		3.84	4.09	4.34	4.60	4.87	5.16	5.46	5.79
	4   Tc	(°C)		38.7	40.5	42.6	44.8	47.2	49.8	52.6	55.4
<b>43</b>	1   P frigorifique	(Watt)			2592	3203	3836	4487	5150	5824	
	2   P absorbée	(W)			1929	2166	2403	2643	2886	3132	
	3   I absorbée	(A)			4.18	4.49	4.80	5.12	5.45	5.78	
	4   Tc	(°C)			50.4	52.2	54.2	56.3	58.4	60.7	

1 = cooling capacity 2 = power input 3 = current 4 = condensing temperature 5 = ambient temperature 6 = evaporating temperature

**Nota : Tecumseh se réserve le droit de modifier les informations contenues dans ce document sans préavis.**

**Note : Tecumseh reserves the right to change information contained in this document without notification.**



**Tecumseh**

<b>FHT4532ZHR-XG</b>	<b>Tension XG : 380-420V 3~ 50Hz / 460V 3~ 60 Hz</b>
----------------------	--

Les performances sont données dans les <b>conditions EN13215</b> :	Gaz aspirés :	20.0 °C
Condition Dew	Sous refroidissement :	3.0 K
The performance data are in <b>EN13215 conditions</b> :	Return gas :	20.0 °C
Dew Condition	Subcooling :	3.0 K

© 2020 Tecumseh Products Company  
All rights reserved

### 50 Hz R448A (\*)

N°User-192

5   T ambience	6   T évaporation	(°C)	-25	-20	-15	-10	-5	0	5	10	15
<b>25</b>	1   P frigorifique	(Watt)	1833	2481	3223	4061	4992	6009	7101	8252	9445
	2   P absorbée	(W)	1286	1454	1624	1796	1974	2160	2356	2565	2792
	3   I absorbée	(A)	3.32	3.52	3.73	3.94	4.16	4.41	4.67	4.95	5.27
	4   Tc	(°C)	28.7	30.1	31.7	33.6	35.7	38.1	40.8	43.7	46.9
<b>32</b>	1   P frigorifique	(Watt)		2141	2826	3592	4438	5360	6351	7400	8493
	2   P absorbée	(W)		1491	1681	1875	2075	2282	2498	2727	2972
	3   I absorbée	(A)		3.55	3.79	4.04	4.30	4.58	4.87	5.18	5.53
	4   Tc	(°C)		36.6	38.2	40.0	42.0	44.2	46.6	49.3	52.3
<b>43</b>	1   P frigorifique	(Watt)			2205	2859	3572	4346	5180		
	2   P absorbée	(W)			1756	1987	2223	2466	2717		
	3   I absorbée	(A)			3.88	4.18	4.50	4.83	5.18		
	4   Tc	(°C)			48.5	50.1	51.9	53.8	56.0		

### 50 Hz R449A (\*)

N°User-191

5   T ambience	6   T évaporation	(°C)	-25	-20	-15	-10	-5	0	5	10	15
<b>25</b>	1   P frigorifique	(Watt)	1832	2479	3219	4054	4981	5992	7076	8218	9399
	2   P absorbée	(W)	1286	1454	1624	1798	1977	2164	2361	2573	2802
	3   I absorbée	(A)	3.32	3.52	3.73	3.94	4.17	4.41	4.68	4.96	5.28
	4   Tc	(°C)	28.8	30.2	31.8	33.7	35.9	38.3	41.0	43.9	47.1
<b>32</b>	1   P frigorifique	(Watt)		2139	2822	3585	4427	5343	6327	7366	8448
	2   P absorbée	(W)		1491	1682	1877	2077	2285	2503	2734	2982
	3   I absorbée	(A)		3.55	3.79	4.04	4.31	4.58	4.88	5.19	5.54
	4   Tc	(°C)		36.7	38.3	40.1	42.1	44.3	46.8	49.5	52.5
<b>43</b>	1   P frigorifique	(Watt)			2200	2850	3560	4328	5155		
	2   P absorbée	(W)			1757	1988	2225	2469	2723		
	3   I absorbée	(A)			3.88	4.19	4.51	4.84	5.19		
	4   Tc	(°C)			48.5	50.2	52.0	54.0	56.1		

**1 = cooling capacity 2 = power input 3 = current 4 = condensing temperature 5 = ambient temperature 6 = evaporating temperature**

(\*) Veuillez vous référer strictement aux Recommandations d'Utilisation et Bulletins Marketing Tecumseh du fait de la température de reflux élevée pour les applications LBP.

(\*) Due to very high discharge temperature especially on LBP conditions, please strictly refer to Tecumseh Guidelines & Marketing Bulletin when using this refrigerant.

**Nota : Tecumseh se réserve le droit de modifier les informations contenues dans ce document sans préavis.**

**Note : Tecumseh reserves the right to change information contained in this document without notification.**