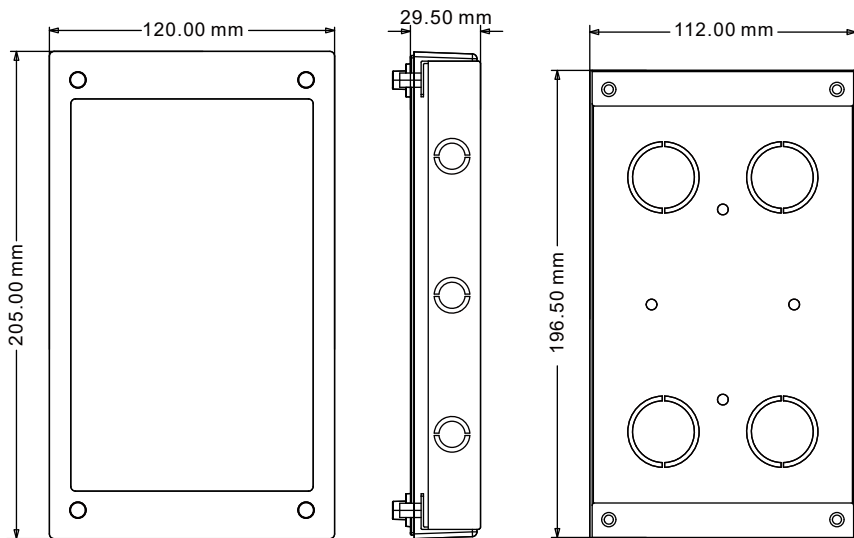


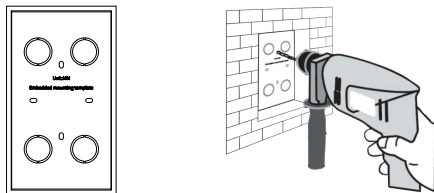
Flush-mounted bracket

Quick Installation Guide

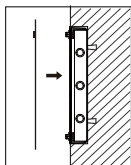


Flush-mounted installation:

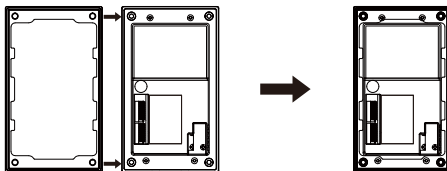
1) Make a hole of the corresponding size on the wall (recommended size: the length range is 199-201mm, the width range is 114-116mm, the depth range is 20-25mm), and paste the mounting template of the flush-mounted bracket on the wall, and then use an electric drill to make the corresponding hole position.



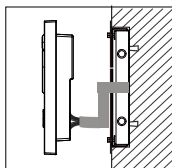
2) The white rubber plugged into the wall and the flush-mounted bracket fixed with screws to the wall, and insert the flush-mounted bracket cover plate stuck on the flush-mounted bracket.



3) Fix the sealing silicone ring on the back of Intercom according to the hole position.



4) After connecting the power cables, network cables, and security interface cables, place the Intercom on the flush-mounted bracket.



5) Power on the device, If it works normally, then use the screws to fix Intercom to the flush-mounted bracket, and the installation is complete.