

P 700



TECHNICAL DATA

| | |
|-------------------------|------------------------|
| Fluid connections | 2" BSPP - DN 50 |
| Air connection | 3/4" BSPP |
| Max. flow rate | 700 lt/min |
| Max air pressure | 8 bar |
| Max delivery head | 80 m |
| Max suction lift dry | 5 m |
| Max suction lift wet | 9,8 m |
| Max solid passing | 8,5 mm |
| Noise level | 78 dB |
| Max viscosity | 50.000 cps |
| Displacement per stroke | 3050 CC ~ |

Displacement per stroke may vary based on suction condition, discharge head, air pressure and fluid type.

ALUMINUM

WEIGHT
37,6 kg

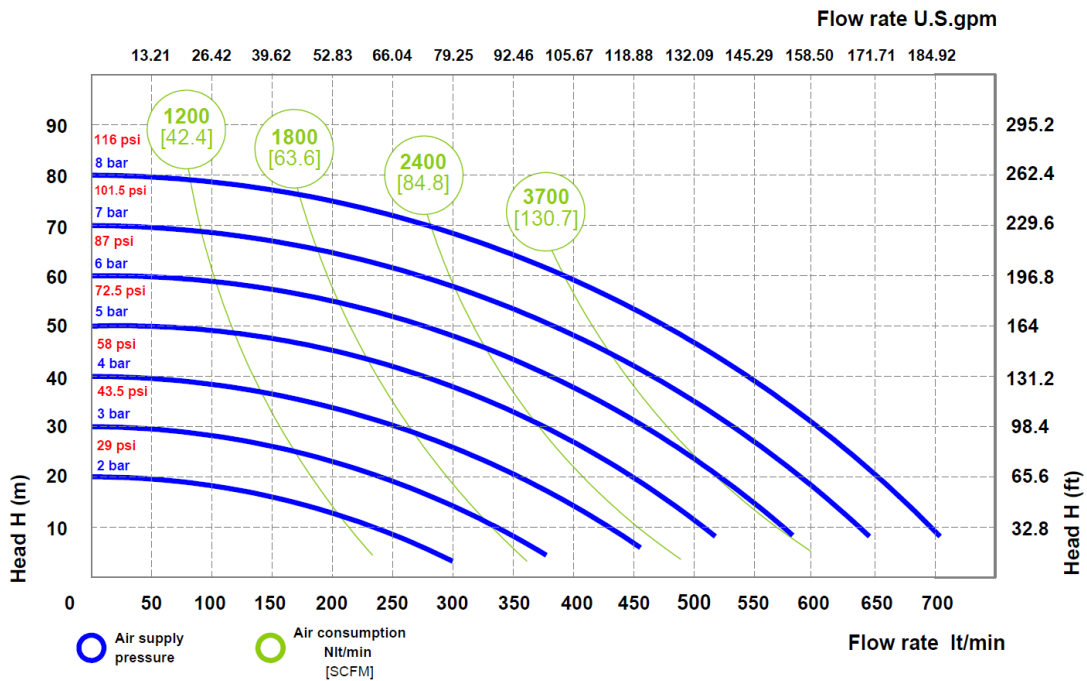
TEMPERATURE
-20°C +95°C

- II 3/3 G Ex h IIB T4 Gc
- II 3 D Ex h IIIB T135°C Dc X



PERFORMANCE

The curves and performance values refer to pumps with submerged suction and free delivery outlet, with water at 20 °C. These data may vary according to the construction materials and hydraulic conditions.



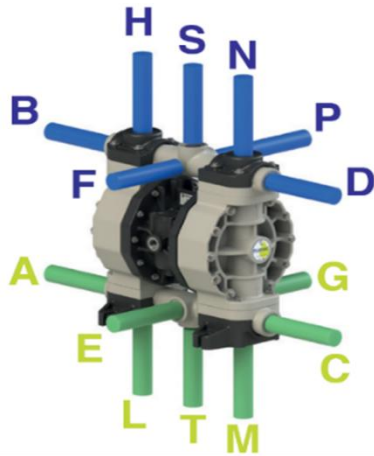
FLUIMAC S.r.l. - Via Breascia, 1 - 21049 - Tradate - VA - ITALY
info@fluimac.com - www.fluimac.com
 tel. +39 0331 866688 - Fax +39 0331 864870
 P.I./VAT 03259160129



P 700

COMPOSITION

| MODEL | CASING | DIAPHRAGM | BALLS | SEATS | GASKET | CONNECTIONS | ATEX | PORTS |
|-------|---------|---|---------------------------------------|-------|--|------------------------------------|------------|-------------------|
| P0700 | A = ALU | HT = HYTREL+PTFE MT = SANTOPRENE+PTFE H = HYTREL W = SANTOPRENE H.R. D = EPDM N = NBR | T=PTFE S=SS D = EPDM N = NBR | S=SS | D = EPDM V = VITON N = NBR T = PTFE | 1 = BSPP 2 = FLANGED 5 = NPT | - = ZONE 2 | AB = STANDAR D |



AVAILABLE CONNECTIONS

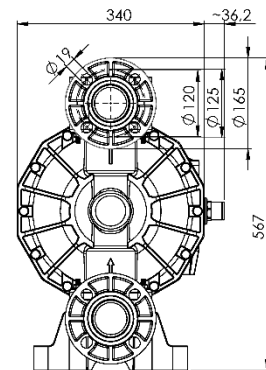
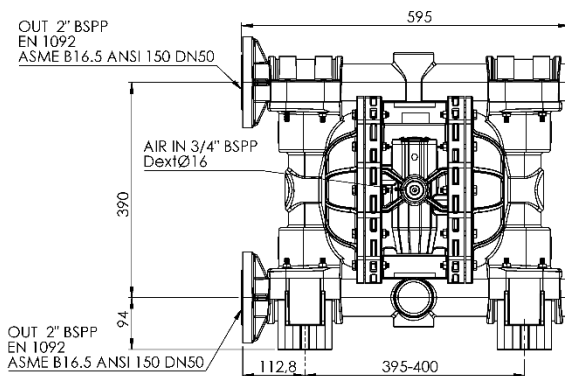
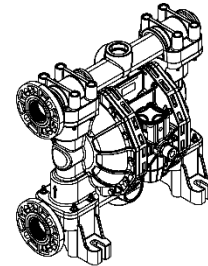
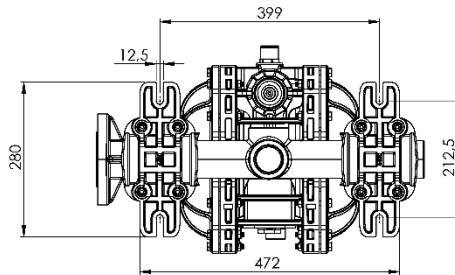
DELIVERY: B-D-S-F-P

SUCTION: A-C-T-E-G

PACKING DIMENSION

CARTON BOX: 66 x 40 x 63 cm

DIMENSIONS



Technical data are approximate and not binding for the manufacturer who reserves the right to change them without notice at any time.



FLUIMAC S.r.l. - Via Breascia, 1 - 21049 - Tradate - VA - ITALY
info@fluimac.com - www.fluimac.com
 tel. +39 0331 866688 - Fax +39 0331 864870
 P.I./VAT 03259160129

