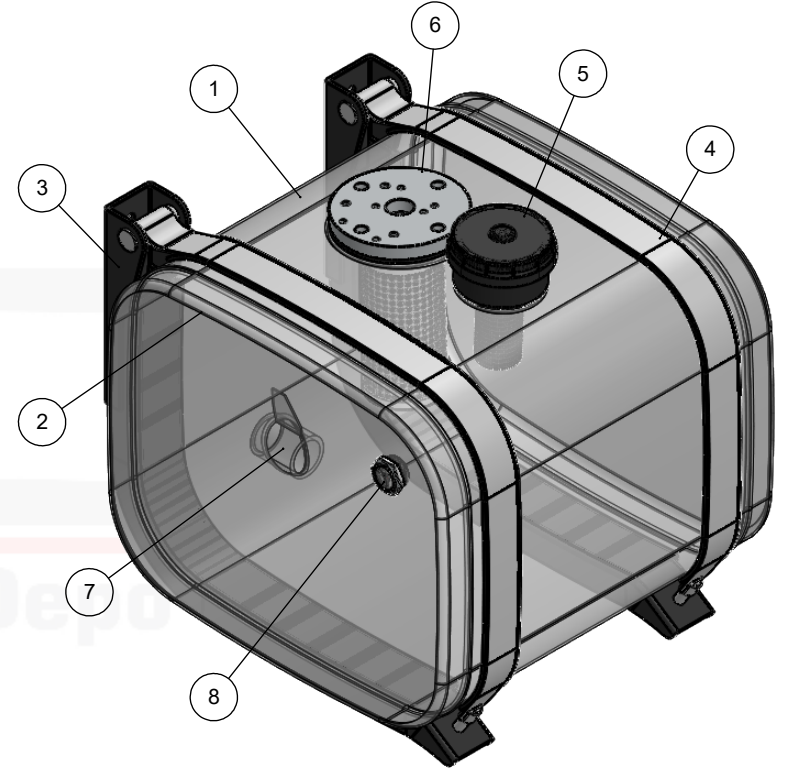
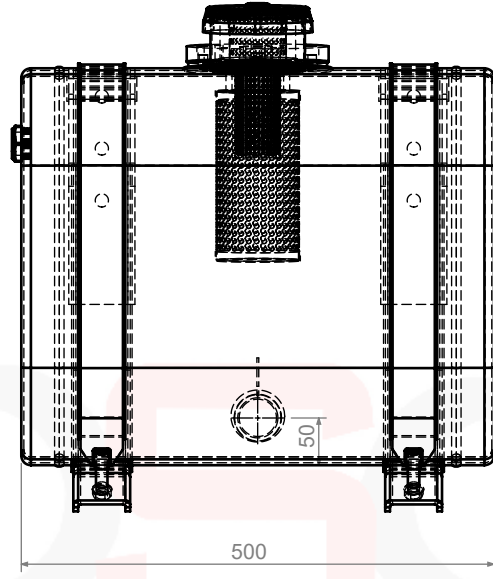
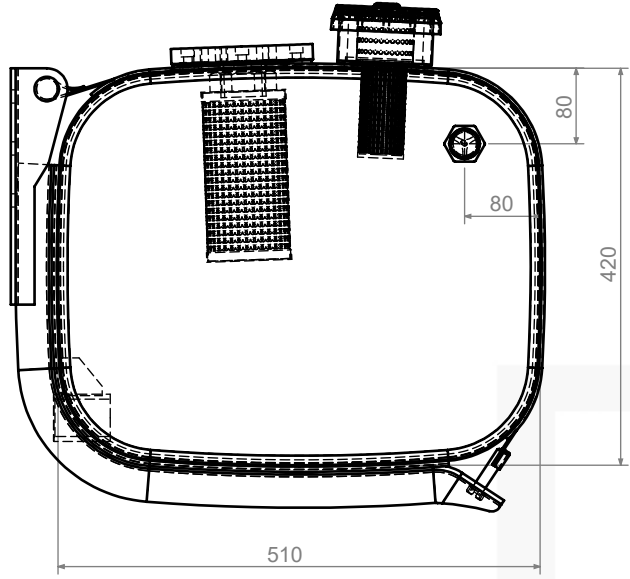


1 2 3 4 5 6

A



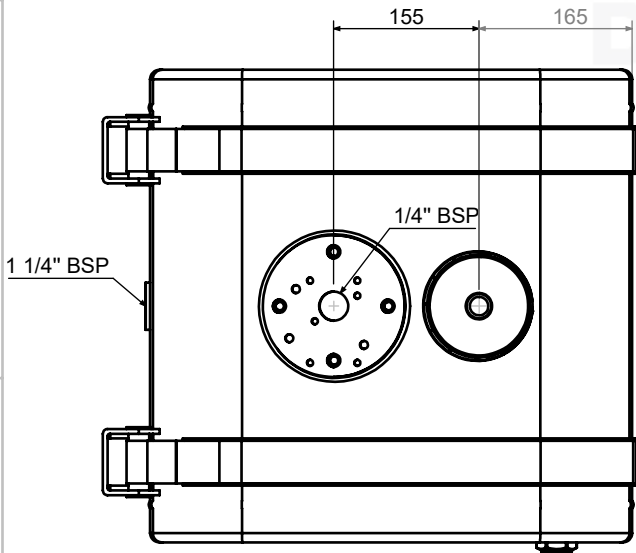
A

B

B

C

C



D

D

ITEM	QTY	DENOMINATION
1	1	Tank Body - 2 mm Steel
2	2	Side plate - 2 mm Steel
3	2	Bracket Steel - 6mm
4	2	Belt - 2 mm Steel
5	1	Filling Neck
6	1	Flange 1 1/4"
7	1	Suction adapter 1-1/4" BSP
8	1	Level İndicator 1"

	Name Surname	Date	Signature	Weight:	100 LT.
Draw	Murat Oktay	05/09/2020		Material:Steel	
Control				Part Name: 420X510X500mm	
Scale				Explanation:Hydraulic Oil Tank (Top Flange)	

1 2 3 4 5 6