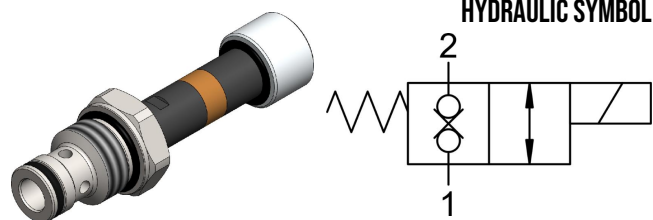


SVDO.M20 VALVE SERIES

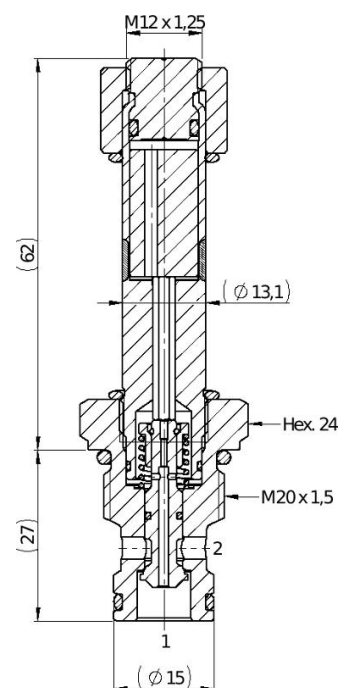
METRIC Cartridge - 250 bar
NC Double Lock Direct Acting
Poppet type



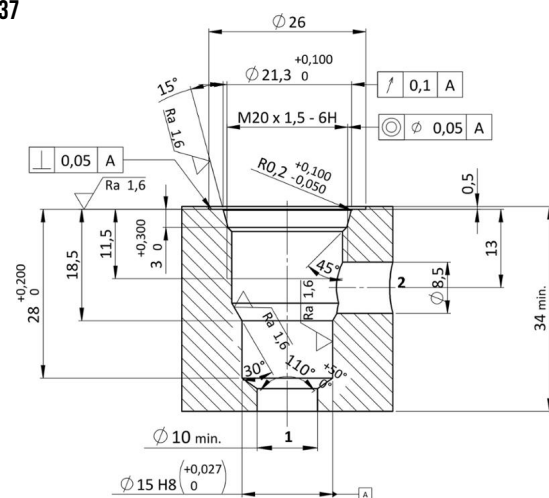
DESCRIPTION

A solenoid valve operated, 2-way 2-positions, normally closed, direct acting poppet type, bi-directional blocking, screwin cartridge valve. Special design for low leakage in load holding applications. When the coil is de-energized, the SVDO.M20 blocks flow in both directions. Once the coil is energized, the valve's poppet opens and allows free flow from 1 to 2 and from 2 to 1. The rigid design using a 1-piece body contributes to minimize the effect of eccentricities in cavity and provides great reliability. Low pressure drop thanks to optimized flow path.

CROSS SECTION



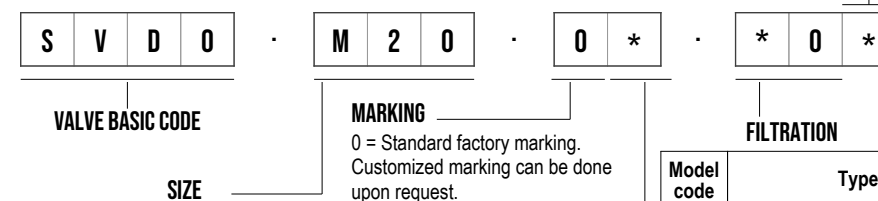
CAVITY VH037



TECHNICAL DATA

| | |
|----------------------------------|---|
| MAXIMUM OPERATING PRESSURE | 250 bar |
| MAXIMUM FLOW | 15 l/min |
| MAXIMUM INTERNAL LEAKAGE | 0,25 cm ³ / min @ 250 bar |
| EXTERNAL COMPONENT TREATMENT | Zn/Fe - standard (96h) Zn/Ni (720h) (Upon customer request) |
| SWITCH ON TIME | 20 ms |
| SWITCH OFF TIME | 40 ms |
| O-RING TEMPERATURE RANGE | -30° C to 110° C (standard sealing NBR - BUNA - N) -35° C to 140° C (HNBR - Upon customer request) -23° C to 225° C (FKM - Upon customer request) |
| OIL TEMPERATURE RANGE | -30° C to 110° C |
| FLUIDS | Mineral - based or synthetics with lubricating properties |
| VISCOSITIES | 7,4 to 420 cSt |
| MINIMUM PULL-IN VOLTAGE | 85% of nominal |
| FILTRATION | 20/18/15 ISO 4406 (maximum filtration admitted) |
| ORIENTATION | No restrictions |
| INSTALLATION TORQUE | 40-45 Nm Hex.24 |
| TECH. SPEC. FOR CHARACTERIZATION | see page |
| OIL TESTING CONDITIONS | ISO VG 46 cSt |
| SEAL KIT CODE | SK.140 and SK.027 (coil) (standard sealing NBR-BUNA-N) |
| COIL | 18W (for more details see page XXX) |
| WEIGHT | 0,120 kg |

ORDERING CODE



| Code | Other available options |
|------|-------------------------------------|
| S08 | 3/4-16 UNF with Ø12,7 nose size |
| S09 | 3/4-16 UNF with Ø15,86 nose size |
| M18 | METRIC M18x1,5 with Ø12,9 nose size |
| M20 | METRIC M20x1,5 with Ø15 nose size |

MANUAL OVERRIDE

| Model code | Type of override |
|------------|------------------|
| 0 | No override |
| 2 | Push and Twist |
| 3 | Push pin |
| 4 | Push knob |
| 8 | Screw |
| C | Special Screw |

Specifications may change without notice.

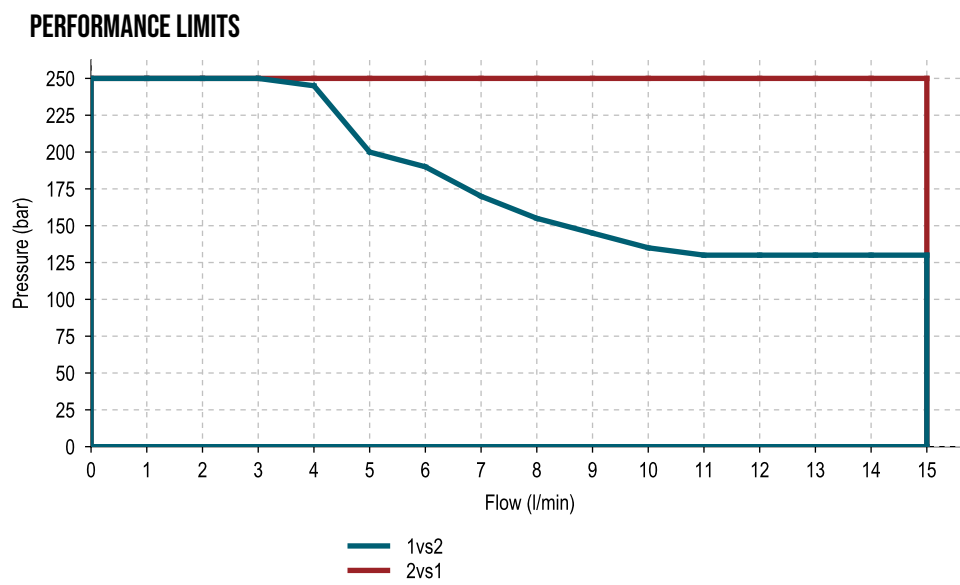
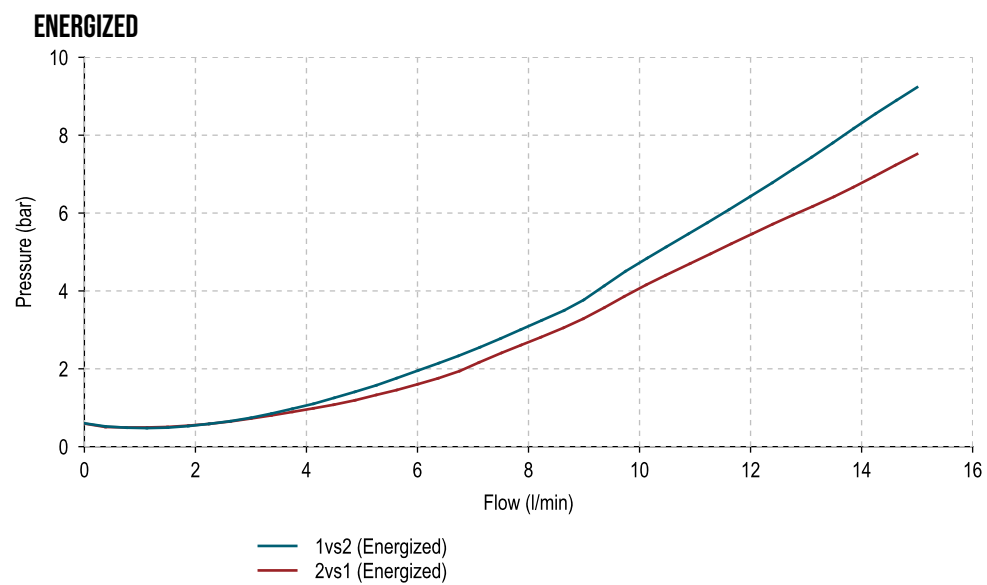
| Model code | Type of filter |
|------------|------------------------------------|
| F | Standard filter (mesh size 280 µm) |
| N | No filter |

NOTE

Customized filters can be done upon request.

SVDO.M20 GRAPHS

The performance chart illustrates flow handling capacity in both directions (1 to 2 and 2 to 1 energized). p/Q curves are recorded at TOil = 40°C and 46 cSt.



NOTE

The performance chart illustrates flow handling capacity in both directions (1 to 2 and 2 to 1 energized). p/Q curves are recorded at TOil = 40°C and 46 cSt.