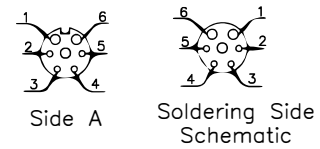
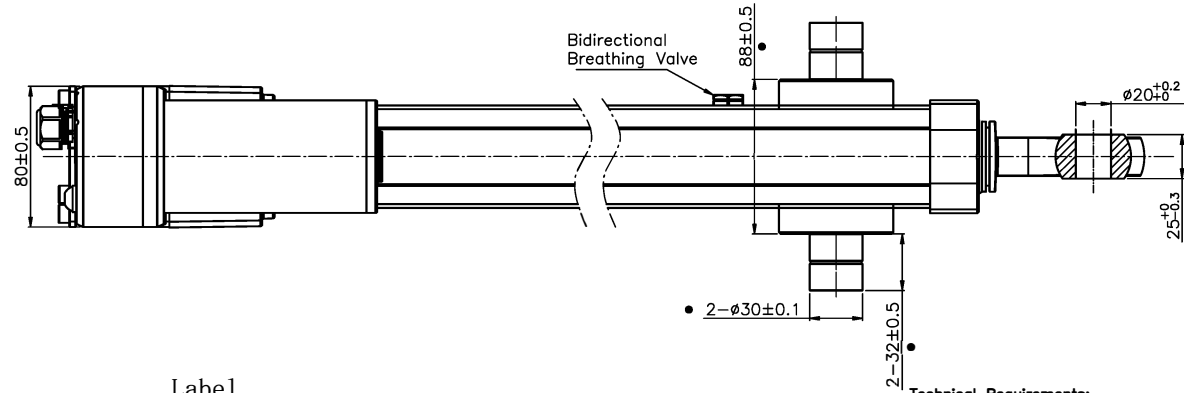
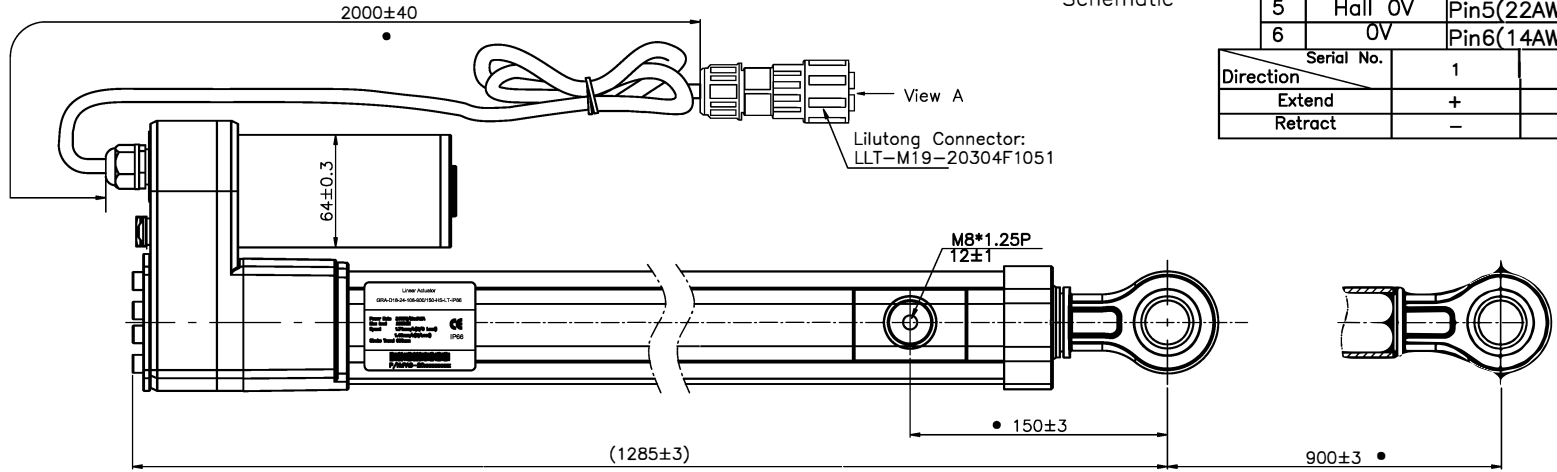
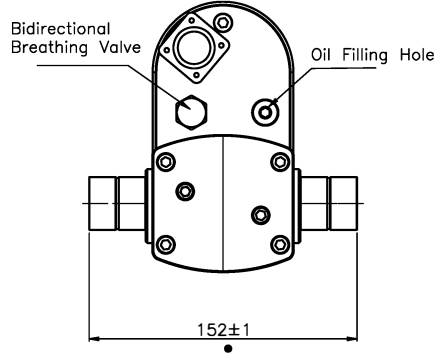


Motor Speed=2800RPM
Reduction Ratio:108.62
Lead:4
Magnet Pole Count:1 Pair of Poles



Wiring Definition		
1	+24V	Pin1(14AWG)Red
2	Hall 2	Pin2(22AWG)Green
3	Hall +5V	Pin3(22AWG)Red
4	Hall 1	Pin4(22AWG)White
5	Hall 0V	Pin5(22AWG)Black
6	0V	Pin6(14AWG)Black

Direction	Serial No. 1	6
Extend	+	-
Retract	-	+



- Technical Requirements:
- The surfaces of the push rod and the controller are clean, without rust, no detachment, and no scratches.
 - The push rod, the controller and the components are securely and reliably assembled and connected.
 - The push rod operates smoothly, without damping or noise.
 - The surface coating of the parts is smooth, with uniform color, and there should be no detachment, scratches, oxidation or other defects.
 - The surface of the plastic parts is flat, with consistent color, and there should be no cracks, bubbles, obvious weld marks, shrinkage cavities, etc.
 - The neutral salt spray test of the appearance parts is greater than or equal to 800 hours.
 - During the withstand voltage test, the voltage is adjusted to AC 800V, leakage current: 3mA, continuous time: 3 seconds.

产品参数	
Voltage	24VDC
No-Load Current	≤1.0A
No-Load Speed	1.71mm/s±10%
Rated Load	20KN
Rated Load Current	≤7.2A
Rated Load Speed	1.43mm/s±10%
Stroke	900±3
Installation Distance	150±3
Half-Stroke Static Load	40KN
Full-Stroke Static Load	20KN
Front Rod End	φ20 ^{+0.2}
Rear End Fitting	φ30±0.1
Motor Cable	14AWG*2C+22AWG*4C
Main Body Color	Black + Silver
Signal Type	Dual Hall Effect
Limit Method	Built-in Limit Switch
Connector	Lilutong Connector: LLT-M19-20304F1051
IP Rating	IP66
Operating Temperature	-40C°~+65C°

Label

Linear Actuator

GRA-D18-24-108-900/150-HS-LT-IP66

Power Rate 24VDC/Max7.2A	
Max load 20000N	
Speed 1.71mm/s(W/O Load)	
1.43mm/s(W/Load)	
Stroke Travel 900mm	IP66

P/N:PA8-20xxxxxxxxx

1	Temporary issuance				WA	26/04/13			
REV.	DESCRIPTION				ECN NO.	BY	DATE	APPD.	DATE
UNIT.	MM	SCALE	NONE	MATERIAL	NAME		PA8		
TOL.	1-6	±0.1	SHEET	FINISH	Black + Silver		PART NO.	PA8-Y0061-005Y-1	
	>6-20	±0.2	1/1						
	>20-120	±0.3							
	>120	±0.5							
G-ROCK Technology Co., Ltd									