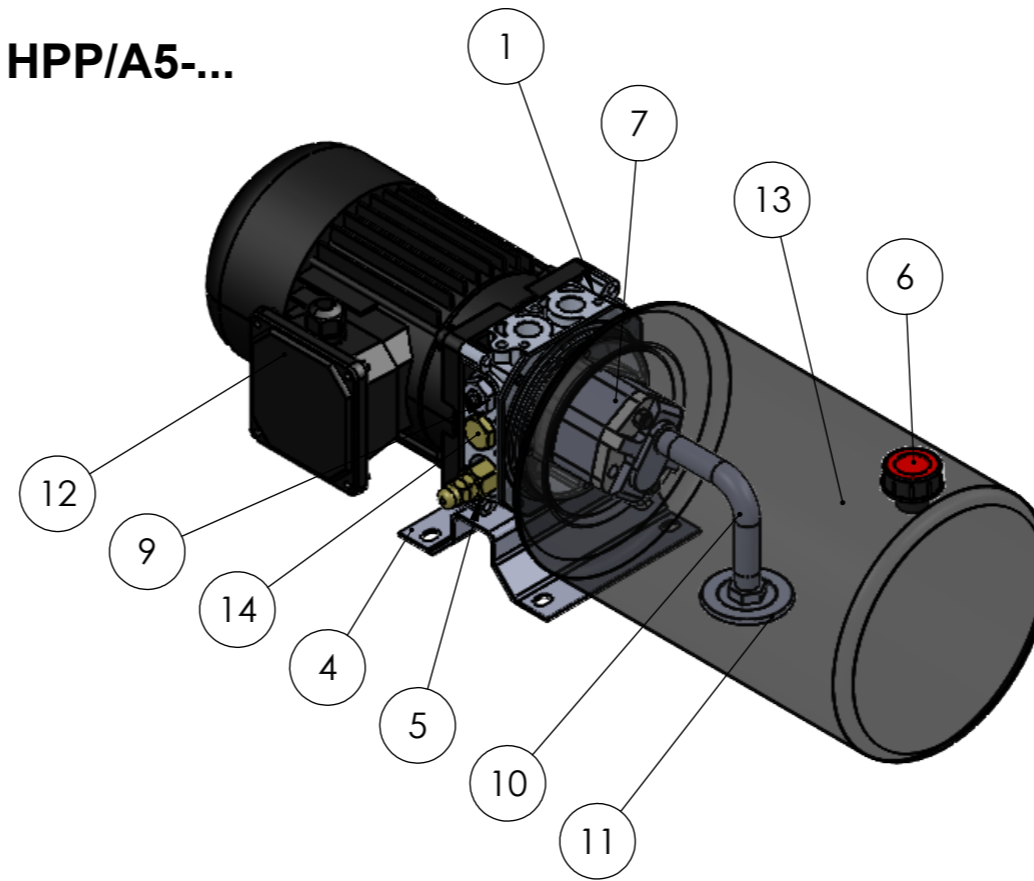
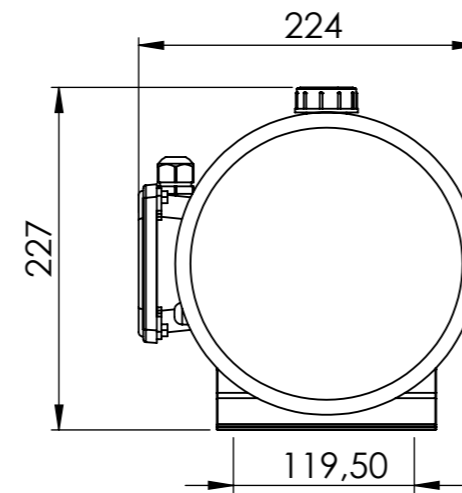
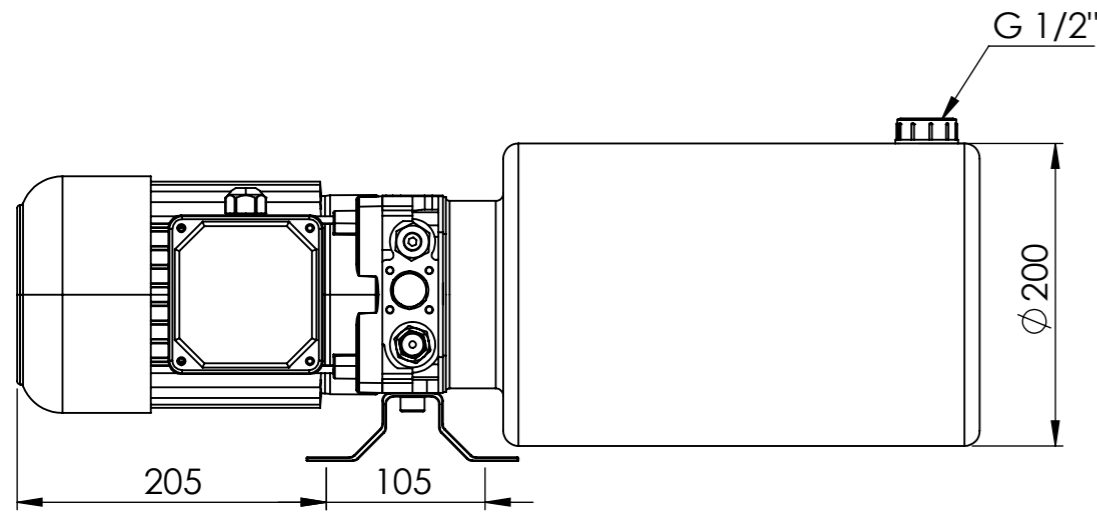


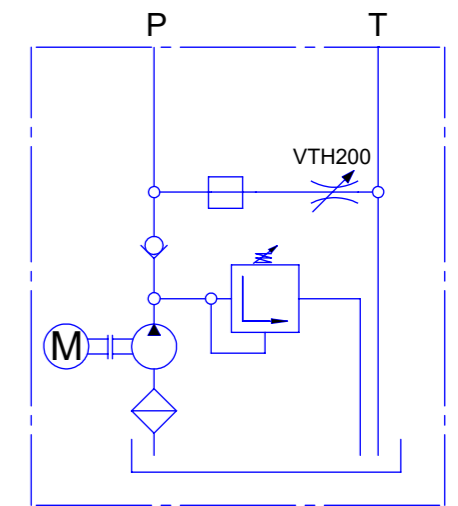
HPP/A5-...




PART NO.	PART NAME	QTY.
1	MBWP-10(Popetli)	1
2	AC Coupling	1
3	Weld Neck	1
4	Connection Plate	1
5	PRV	1
6	AB 1/2"	1
7	10C3.7X302	1
9	HP-SFCV(VTH200)	1
10	SP-90-L	1
11	Filter	1
12	AC-3V-1.1-2800	1
13	TV18Y	1
14	BP-3/4 UNF	1



Hydraulic Circuit P, T = G 3/8"



NOTES			MASS	DESIGNED BY	T.Gülbaz
ELECTRIC MOTOR	PUMP	OIL TANK	MAX PRESSURE	CHECKED BY	T.Gülbaz
POWER 1.1 kW	DISPLACEMENT 3.7 cc/rev	CAPACITY 18 liter	50 bar	DATE	23.03.2026
VOLTAGE 380 V AC		TYPE Cylinder		REVISION	
SPEED 2800 rpm		ASSEMBLY Horizontall		REVISION DATE	
FREQUENCY		MATERIAL Steel			



Ovacık, Kullar Cad. No:177, 41140
Başiskele/Kocaeli-TURKEY
Tel: +90 262 335 63 66 Fax: +90 262 335 63 70
www.hydropack.com.tr / info@hydropack.com.tr

DESCRIPTION

MINI POWERPACK

SCALE: 1:5

DIMENSIONS: mm

A3