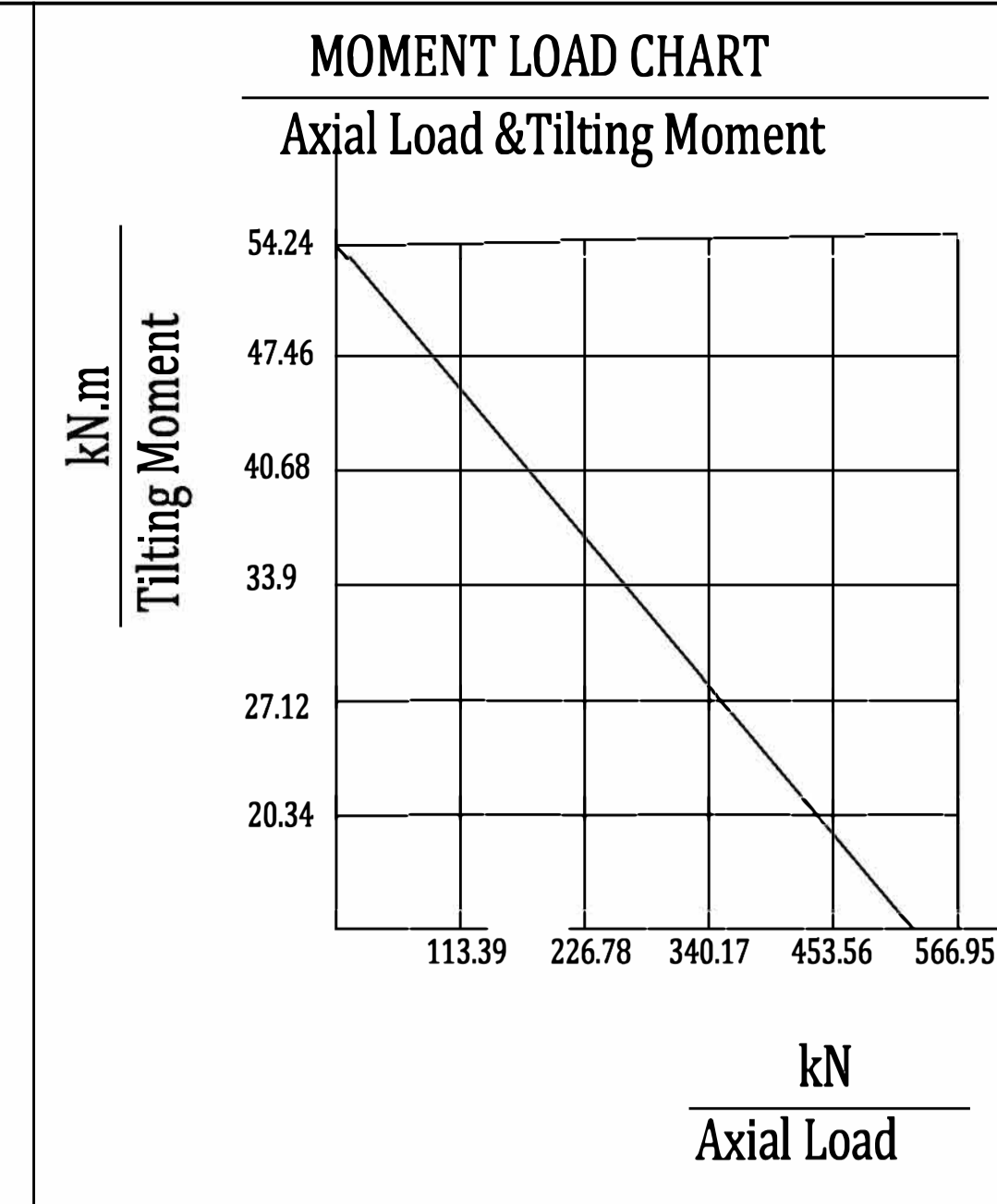
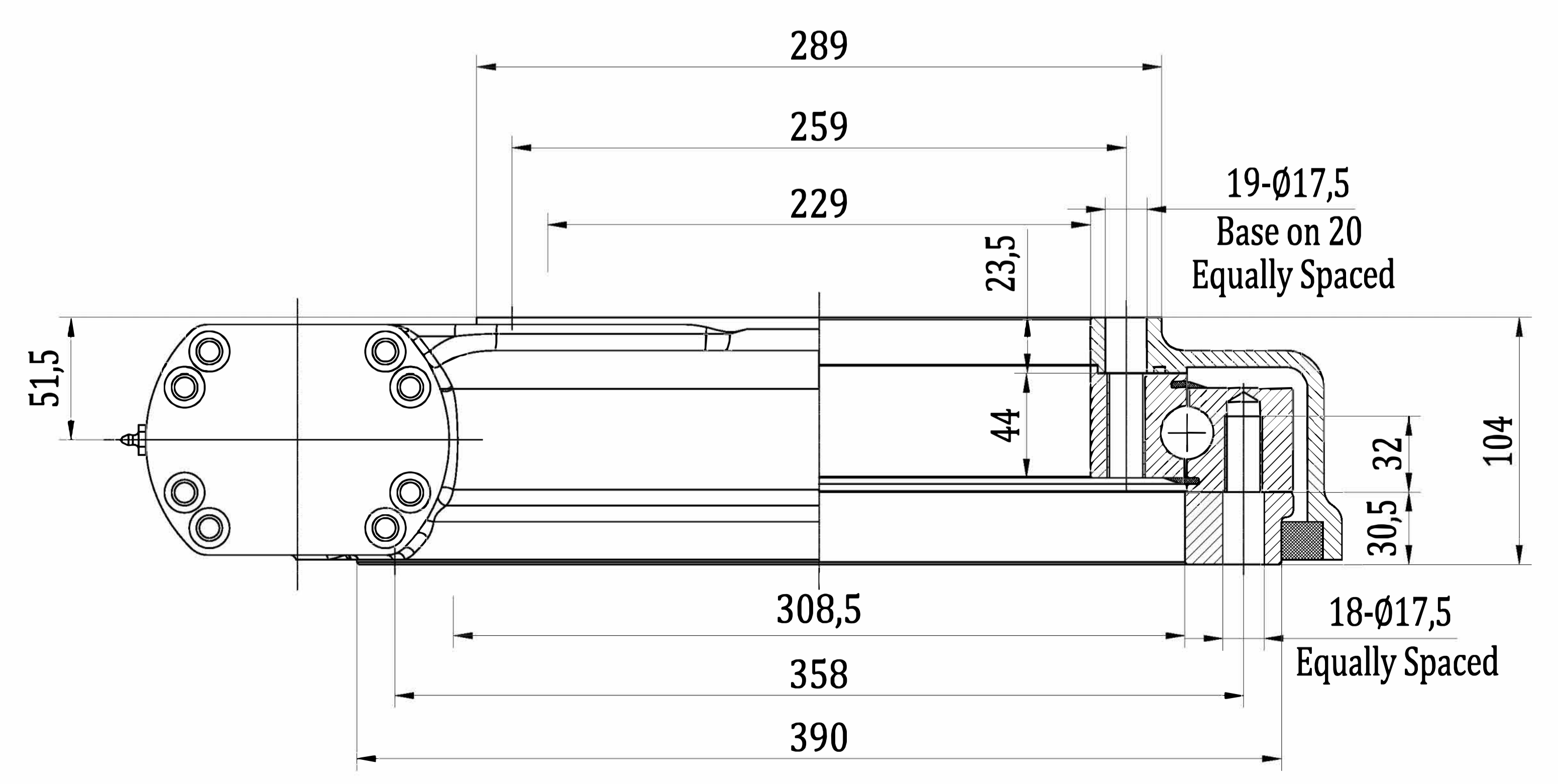
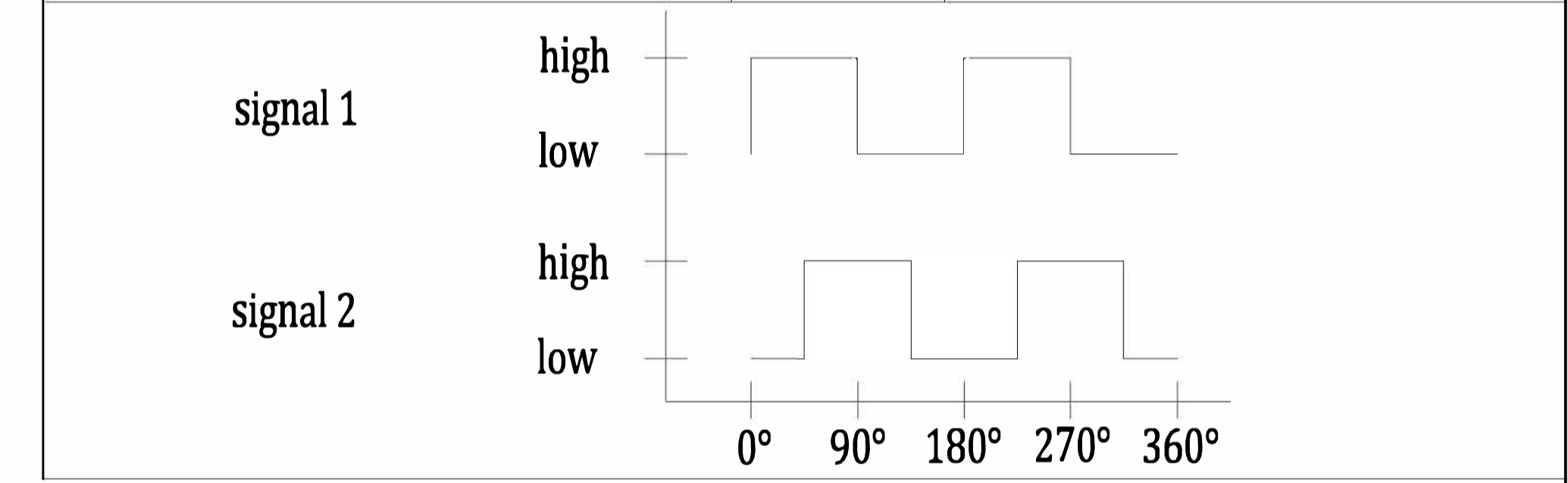
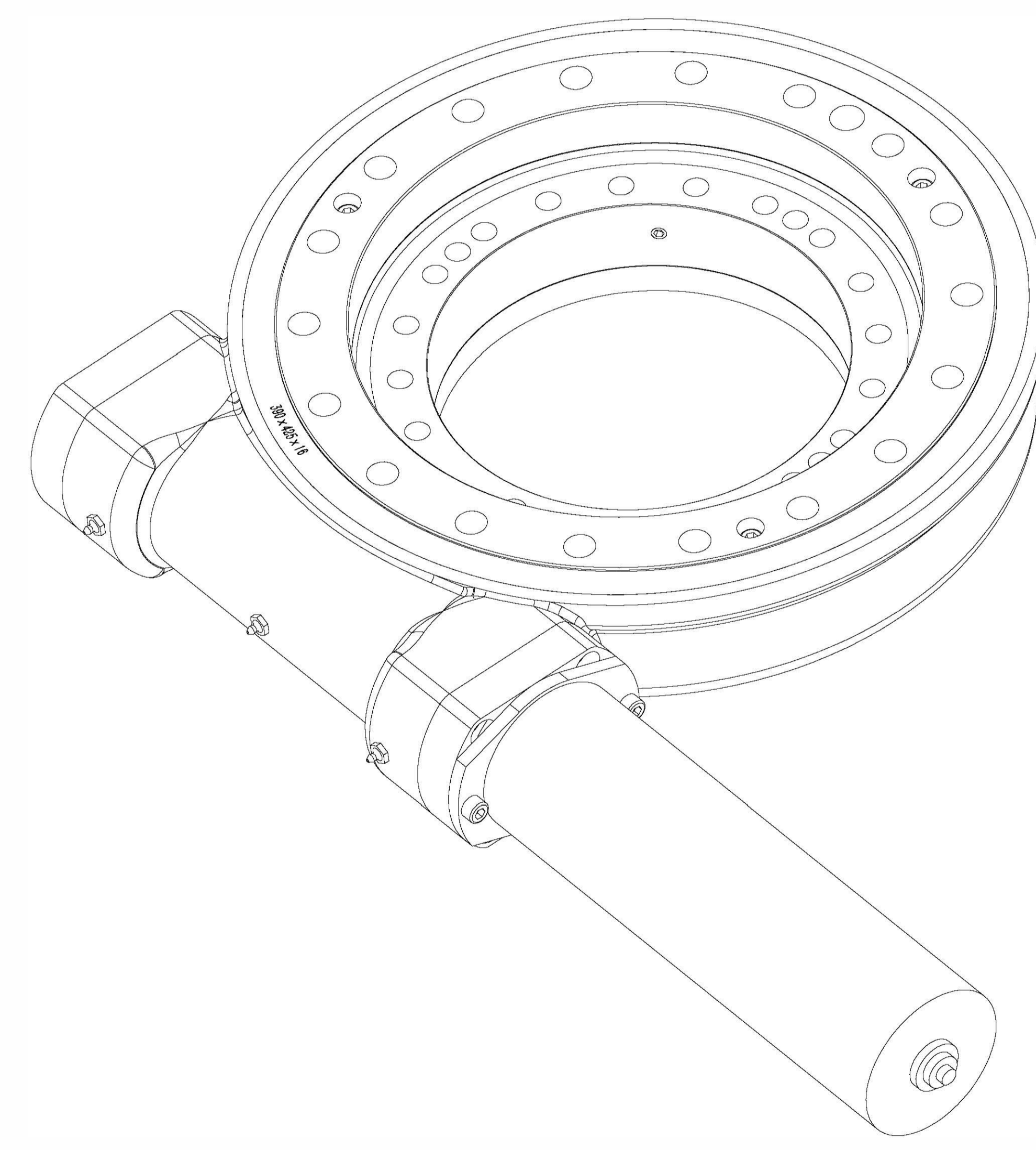


Wire Define:
 Pin 1 (black) motor -
 Pin 2 (red) motor +
 Pin 3 (gray) Hall -
 Pin 4 (brown) Hall +
 Pin 5 (blue) Hall A
 Pin 6 (orange) Hall B
 Pin E (green) GND



Slewing Drive Performance Parameters		
Rated Output Speed	0.038 rpm	
Output Torque	3120 N.m	2303 lbf.ft
Tilting Moment	54.3 kN.m	40×10 ³ lbf.ft
Holding Torque	43 kN.m	31.7×10 ³ lbf.ft
Static Axial Load Rating	475 kN	106.8×10 ³ lbf
Static Radial Load Rating	190 kN	42.7×10 ³ lbf
Gear Ratio	78:1	
Precision	≤0.17°	
12VDC Planetary Reducer Motor Performance Data (12H/30/33)		
Rated Voltage	12 VDC	
Rated Current	<5 A	
Gear Ratio	575 : 1	
Noises	≤65 dB	
IP Class	IP55	
Temperature	-40 - +60°C	

MAGNETIC PULSE GENERATOR DATA		
Output type	-	voltage output
pull-up resistor	-	yes
Output signal	-	2 square wave signals
Phase quadrature	-	90°
Impulses per revolution	ppr	2,channels A and B
Operating voltage	VDC	UN=12(5... 24)
Operating current	mA	max. 12 (U=12V)
Deviation of pulse width	-	max. 15 °
Deviation of phase shift	-	max. 15 °
Output voltage(low level)	VDC	max. 0.4 (20mA)
SIGNAL RISE TIME	ns	85
SIGNAL DECAY TIME	ns	60
Operation temperature	°C	-40 ... +85



REV	DATE	REVISER	REVISER		
DESIGNED BY	2019/8/1	Li Ming	 www.vaulttec.org.ua Coresun Drive Equipment Changzhou Co., Ltd.		
CHECKED BY	2019/8/1	Rui Wang			
APPROVED BY	2019/8/1	Shane Zhang			
ALL PROPRIETARY RIGHTS IN THE SUBJECT MATTER HERE OF ARE RESERVED, AND NO PERMISSION IS GRANTED OR TO DISCLOSE REPRODUCE THIS PRINT IN WHOLE OR IN PART, ANY OF THE INFORMATION TO OTHERS.			WEIGHT	SCALE	<h2>Slewing Drive</h2>
			63 kg	1 : 3	
SYMBOLE ISO			SIZE	A3	
			SHEET	1 / 1	MT12-78-RC-12H3033
					REV A