

This power supply's key feature is referred to as "automatic C.C. and C.V. switching". This power supply can switch between C.V. mode and C.C. mode automatically based on the property of the load connected to the power supply. The point where the two modes switches is called "switching point".

For example: If the load puts the DC power supply in C.V. (Constant Voltage) Mode, the power supply will output constant voltage (with the CV indicator ON). As the load increases, the output voltage will remain constant until it reaches the preset current. At this point, the output current will remain constant (with the CC indicator ON). As the load increases the output voltage will decrease in ratio to the increase. Similarly, the switch from C.C. (Constant Current) mode to C.V. (Constant Voltage mode) occurs as the load decreases. Similarly, the switch from C.C. (Constant Current) mode to C.V. (Constant Voltage mode) occurs as the load decreases.

## IV. Maintenance & Precautions

1. When charging batteries, DO NOT connect the positive and negative poles incorrectly.
2. It is not recommended for the power supply to output at full power (voltage and current set to maximum) for more than four hours. If more consecutive working hours are needed, please restrict the output usage rate within 80%. Otherwise, over-usage may result in premature failure of the power supply. Account for additional current capacity when ordering this unit.
3. When the display shows "SCP", it indicates that the unit is in short-circuit protection mode.
4. When the display shows "t OVER", it indicates that the unit is in over-heat protection mode.

## Specification

Model number	3010D III	3005D III	605D III
Main unit dimensions	L195*W70*H157 mm ±5mm		
Operating Ambient Temperature	-10°C~40°C/14°F~104°F		
Relative Humidity	<90%		
Output voltage	DC 0~30V	DC 0~60V	
Accuracy (Voltage)	<0.1%+0.03V		
Accuracy (Current)	<0.6%+20mA	<0.3%+3mA	
Load Regulation	<1%+10mV		
Ripple	Vrms<0.5%(10Hz-1MHz)		
Output Current	0~10A	0~5A	

## I. Applications And Features

This regulated DC power supply (SMPS) is developed specifically for test labs, schools, electronic assembly lines, and electronic repairs.

1. The unit is light in weight, and compact in size, making it easy to be transported and carried.
2. The unit is highly efficient with great load capacity and, produces low noise level.
3. The voltage regulation is highly stable, and the ripple is low. This power supply comes with a complete set of short circuit protection, overcurrent protection and over-heat protection functions.

## Adjustable Regulated DC Power Supply

# OPERATION INSTRUCTION

English

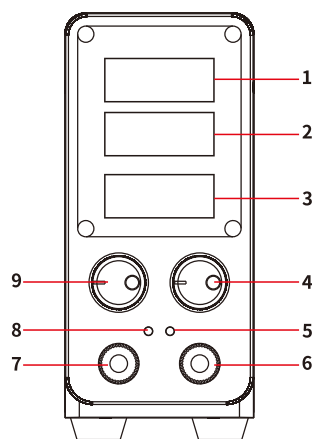
Thank you for purchasing this product. Please read the manual carefully before operating and keep this manual for future reference.

Made in China

Statement: The company reserves the right to improve & upgrade products, product specifications and design are subject to change without notice.

● This product should not be thrown in the garbage. In accordance with the European directive 2012/19/EU, electronic equipment at the end of their life must be collected & returned to an authorized recycling facility. ● Este producto no debe desecharse en la basura. De acuerdo a la directiva europea 2012/19/EU, los equipos electrónicos al final de su vida se deberán recoger y trasladar a una planta de reciclaje autorizada. ● Dieses Produkt sollte nicht mit dem Hausmüll entsorgt werden. In Übereinstimmung mit der europäischen Richtlinie 2012/19/EU müssen elektronische Geräte am Ende ihrer Lebensdauer eingesammelt und einem autorisierten Recyclingbetrieb zugeführt werden.

## II. Reference: Panel



1. Output voltage
2. Output current
3. Output power
4. Current adjustment knob
5. C.C. Mode Indicator (Constant Current)
6. Output Terminal (Negative -)
7. Output Terminal (Positive +)
8. C.V. Mode Indicator (Constant Voltage)
9. Voltage adjustment knob

## III. Operation

1. Connect the power supply's power cord to an electrical outlet.
2. Turn ON the power supply's power switch and set the desired voltage value.
3. Connect the load to the power supply based on the correct polarity, and the power supply will begin powering the load.
4. When the operation is complete, DISCONNECT the load, and turn OFF the power supply. DISCONNECT the power cord when the power supply is not in use for an extended period.
5. Constant Voltage / Constant Current