

**DS-2SE3C410MWG-E/14  
TandemVu 4MP+4MP 10X POE PTZ Network Camera**

Powered by  
**DarkFighter** 



Hikvision 10×IR Network Speed Dome adopts 1/2.8" progressive scan CMOS chip. With the 10 × optical zoom lens, the camera offers more details over expansive areas.

This series of cameras can be widely used for wide ranges of high-definition, such as rivers, roads, railways, airports, squares, parks, scenic spots, and venues, etc.

Hikvision has been dedicated to develop products with security since established.

Hikvision always follows security by design principle and has adopted many methods of security technologies into our product development lifecycle, including terminal security, data security, application security, network security, and privacy protection. In the meantime, the security technologies used by Hikvision are all in compliance with local applicable laws and safety regulations. These security measures could enhance product's cyber security protection capability and protect your devices as well as your data from malicious cyber attacks.

- Captures a large area and great details at the same time
- High quality imaging with 4 MP resolution
- Excellent low-light performance with powered-by-DarkFighter technology
- Secures an expansive area with 10× optical zoom and 16× digital zoom
- Supports WDR, HLC, BLC, 3D DNR, defog, regional exposure, regional focus
- Supports 12V DC & PoE+
- Support Human and Vehicle Detection

## ▪ Specification

| Camera                   |                                                                                                                                                                                                                                                 |
|--------------------------|-------------------------------------------------------------------------------------------------------------------------------------------------------------------------------------------------------------------------------------------------|
| Image Sensor             | [Bullet channel]: 1/2.8" Progressive Scan CMOS; [PTZ channel]: 1/2.8" progressive scan CMOS                                                                                                                                                     |
| Min. Illumination        | [Bullet channel]: Color: 0.01 Lux @ (F1.6, AGC ON) , B/W: 0.005 Lux @ (F1.6 , AGC ON), 0 Lux with IR;<br>[PTZ channel]: Color: 0.01 Lux @ (F1.86, AGC ON), B/W: 0.005Lux @ (F1.86, AGC ON), 0 Lux with IR                                       |
| Shutter Speed            | 1 s to 1/30,000 s                                                                                                                                                                                                                               |
| Slow Shutter             | yes                                                                                                                                                                                                                                             |
| Day & Night              | ICR                                                                                                                                                                                                                                             |
| Zoom                     | [PTZ channel] 10× optical, 16× digital                                                                                                                                                                                                          |
| Max. Resolution          | [Bullet channel] 2560 × 1440, [PTZ channel] 2560 × 1440                                                                                                                                                                                         |
| Lens                     |                                                                                                                                                                                                                                                 |
| Focus                    | auto, manual, semi-auto                                                                                                                                                                                                                         |
| Focal Length             | [Bullet channel]: 2.8 mm; [PTZ channel]: 5.76 to 57.6 mm, 10× optical                                                                                                                                                                           |
| Zoom Speed               | [PTZ channel]: approx. 3.3 s                                                                                                                                                                                                                    |
| FOV                      | [Bullet channel] horizontal field of view: 104.9°, vertical field of view: 57.9°, diagonal field of view: 119.8°, [PTZ channel] horizontal field of view: 50° to 7.5°, vertical field of view: 31° to 4°, diagonal field of view: 58.8° to 8.5° |
| Aperture                 | [Bullet channel]: F1.6; [PTZ channel]: F1.86 to F2.65                                                                                                                                                                                           |
| Illuminator              |                                                                                                                                                                                                                                                 |
| Supplement Light Type    | [Bullet channel] Hybrid (IR and White Light), [PTZ channel] IR                                                                                                                                                                                  |
| Smart Supplement Light   | Yes                                                                                                                                                                                                                                             |
| Supplement Light Range   | [PTZ channel]: IR Distance: up to 80 m;<br>[Bullet channel]: IR Distance: up to 30 m; White Light Distance: 30 m                                                                                                                                |
| PTZ                      |                                                                                                                                                                                                                                                 |
| Movement Range (Pan)     | 0° to 350°                                                                                                                                                                                                                                      |
| Movement Range (Tilt)    | [Bullet channel] 7° to 17° (manually adjust), [PTZ channel] -5° to 90°                                                                                                                                                                          |
| Pan Speed                | pan speed: configurable from 0.1° to 30°/s; preset speed: 30°/s                                                                                                                                                                                 |
| Tilt Speed               | tilt speed: configurable from 0.1° to 30°/s, preset speed 30°/s                                                                                                                                                                                 |
| Proportional Pan         | yes                                                                                                                                                                                                                                             |
| Presets                  | 300                                                                                                                                                                                                                                             |
| Patrol Scan              | 8 patrols, up to 32 presets for each patrol                                                                                                                                                                                                     |
| Power-off Memory         | yes                                                                                                                                                                                                                                             |
| Park Action              | preset, patrol scan                                                                                                                                                                                                                             |
| 3D Positioning           | yes                                                                                                                                                                                                                                             |
| PTZ Status Display       | yes                                                                                                                                                                                                                                             |
| Preset Freezing          | yes                                                                                                                                                                                                                                             |
| Scheduled Task           | dome reboot, preset, patrol scan, dome adjust, aux output                                                                                                                                                                                       |
| Video                    |                                                                                                                                                                                                                                                 |
| Region of Interest (ROI) | 1 fixed regions for main stream                                                                                                                                                                                                                 |

|                             |                                                                                                                                                                                                                                                                            |
|-----------------------------|----------------------------------------------------------------------------------------------------------------------------------------------------------------------------------------------------------------------------------------------------------------------------|
| Main Stream                 | [Bullet channel]:<br>50 Hz: 25 fps (2560 × 1440, 1920 × 1080, 1280 × 720)<br>60 Hz: 30 fps (2560 × 1440, 1920 × 1080, 1280 × 720)<br>[PTZ channel]:<br>50 Hz: 25 fps (2560 × 1440, 1920 × 1080, 1280 × 720)<br>60 Hz: 30 fps (2560 × 1440, 1920 × 1080, 1280 × 720)        |
| Sub-Stream                  | [Bullet channel]:<br>50 Hz: 25 fps (640 × 480, 640 × 360)<br>60 Hz: 30 fps (640 × 480, 640 × 360)<br>[PTZ channel]:<br>50 Hz: 25 fps (640 × 480, 640 × 360)<br>60 Hz: 30 fps (640 × 480, 640 × 360)                                                                        |
| Third Stream                | [Bullet channel]:<br>50 Hz: 25 fps (1280 × 720 , 640 × 480 , 640 × 360)<br>60 Hz: 30 fps (1280 × 720 , 640 × 480 , 640 × 360)<br>[PTZ channel]:<br>50 Hz: 25 fps (1280 × 720 , 640 × 480 , 640 × 360)<br>60 Hz: 30 fps (1280 × 720 , 640 × 480 , 640 × 360)                |
| Video Compression           | H.265,H.264,MJPEG                                                                                                                                                                                                                                                          |
| Video Bit Rate              | 32 kbps to 16384 kbps                                                                                                                                                                                                                                                      |
| H.264 Type                  | main profile,baseline profile,high profile                                                                                                                                                                                                                                 |
| H.265 Type                  | main profile                                                                                                                                                                                                                                                               |
| Scalable Video Coding (SVC) | yes                                                                                                                                                                                                                                                                        |
| <b>Audio</b>                |                                                                                                                                                                                                                                                                            |
| Audio Compression           | G.711,G.722.1,G.726,MP2L2,PCM,MP3,AAC                                                                                                                                                                                                                                      |
| Audio Bit Rate              | MP2L2: 32 kbps, 40 kbps, 48 kbps, 56 kbps, 64 kbps, 80 kbps, 96 kbps, 112 kbps, 128 kbps, 144 kbps, 160 kbps; AAC : 16 kbps, 32 kbps, 64 kbps; MP3: 8 kbps, 16 kbps, 32 kbps, 40 kbps, 48 kbps, 56 kbps, 64 kbps, 80 kbps, 96 kbps, 112 kbps, 128 kbps, 144 kbps, 160 kbps |
| Audio Sampling Rate         | MP2L2: 16 kHz,AAC-LC: 16 kHz,PCM: 8 kHz, 16 kHz,MP3: 8 kHz, 16 kHz                                                                                                                                                                                                         |
| Environment Noise Filtering | yes                                                                                                                                                                                                                                                                        |
| <b>Network</b>              |                                                                                                                                                                                                                                                                            |
| API                         | ONVIF (Profile S, Profile G, Profile T),ISAPI,SDK,ISUP                                                                                                                                                                                                                     |
| Network Storage             | NAS (NFS, SMB/ CIFS),ANR, ANR                                                                                                                                                                                                                                              |
| Protocols                   | TCP/IP,SMTP,RTSP,FTP,WebSockets,IGMP,WebSocket,Qos,RTCP,HTTPS,PPPoE,SNMP,NTP,RTP,UDP,DNS,HTTP,DHCP,Bonjour,802.1x,IPv4/IPv6,DDNS,ICMP,UPnP                                                                                                                                 |
| Simultaneous Live View      | 20                                                                                                                                                                                                                                                                         |
| User/Host                   | 32                                                                                                                                                                                                                                                                         |
| Security                    | 802.1X authenticated access,MAC address binding,Authenticated username and password,IP address filter,HTTPS encryption                                                                                                                                                     |
| Client                      | iVMS-4200,Hik-Connect                                                                                                                                                                                                                                                      |
| Web Browser                 | IE8+, Chrome31 to 44, Firefox30 to 51, Safari8.0+                                                                                                                                                                                                                          |
| <b>Image</b>                |                                                                                                                                                                                                                                                                            |
| Image Settings              | sharpness, saturation, brightness, contrast                                                                                                                                                                                                                                |
| Wide Dynamic Range (WDR)    | 120 dB                                                                                                                                                                                                                                                                     |

|                         |                                                                                                                                                                                                                                                                                                                                |
|-------------------------|--------------------------------------------------------------------------------------------------------------------------------------------------------------------------------------------------------------------------------------------------------------------------------------------------------------------------------|
| SNR                     | ≥ 52 dB                                                                                                                                                                                                                                                                                                                        |
| Defog                   | Digital defog                                                                                                                                                                                                                                                                                                                  |
| Day/Night Switch        | day, night, auto, scheduled-switch                                                                                                                                                                                                                                                                                             |
| Image Enhancement       | BLC,HLC,3D DNR                                                                                                                                                                                                                                                                                                                 |
| Privacy Mask            | [Bullet channel] 24 programmable polygon privacy masks, [PTZ channel] 24 programmable polygon privacy masks                                                                                                                                                                                                                    |
| Regional Focus          | [Bullet channel] No, [PTZ channel] Yes                                                                                                                                                                                                                                                                                         |
| Regional Exposure       | [Bullet channel] No, [PTZ channel] Yes                                                                                                                                                                                                                                                                                         |
| Image Parameters Switch | Yes                                                                                                                                                                                                                                                                                                                            |
| <b>Interface</b>        |                                                                                                                                                                                                                                                                                                                                |
| Built-in Microphone     | 1 built-in microphone                                                                                                                                                                                                                                                                                                          |
| Built-in Speaker        | 1 built-in speaker                                                                                                                                                                                                                                                                                                             |
| Ethernet Interface      | RJ45, self-adaptive 10M/100M Ethernet port                                                                                                                                                                                                                                                                                     |
| On-board Storage        | Built-in memory card slot, support Micro SD/SDHC/SDXC, up to 512 GB                                                                                                                                                                                                                                                            |
| Reset                   | yes                                                                                                                                                                                                                                                                                                                            |
| <b>Event</b>            |                                                                                                                                                                                                                                                                                                                                |
| Basic Event             | Motion detection, video tampering alarm, exception, alarm input and output                                                                                                                                                                                                                                                     |
| Smart Event             | Line crossing detection, intrusion detection, region entrance detection, region exiting detection, audio exception detection                                                                                                                                                                                                   |
| Linkage                 | [Bullet channel] Upload to FTP/NAS/memory card, notify surveillance center, send email, trigger alarm output, and trigger recording, [PTZ channel] Upload to FTP/NAS/memory card, notify surveillance center, send email, trigger alarm output, trigger recording, and PTZ actions (such as preset, patrol scan, pattern scan) |
| <b>General</b>          |                                                                                                                                                                                                                                                                                                                                |
| General Function        | mirror, watermark, IP address filter, password protection                                                                                                                                                                                                                                                                      |
| Power                   | 12 VDC, max. 13.5 W, PoE+                                                                                                                                                                                                                                                                                                      |
| Operating Condition     | -30 °C to 50 °C (-22 °F to 122 °F). Humidity 95% or less (non-condensing)                                                                                                                                                                                                                                                      |
| Demist                  | Demist by heating the glass                                                                                                                                                                                                                                                                                                    |
| Material                | PC                                                                                                                                                                                                                                                                                                                             |
| Dimension               | 311.5 mm × 223.5 mm × 156 mm (12.26" × 8.80" × 6.14")                                                                                                                                                                                                                                                                          |
| Weight                  | Approx. 1.37 kg (3.02 lb.)                                                                                                                                                                                                                                                                                                     |
| <b>Approval</b>         |                                                                                                                                                                                                                                                                                                                                |
| Protection              | IP66 Standard, Surge Protection and Voltage Transient Protection                                                                                                                                                                                                                                                               |

## ▪ DORI

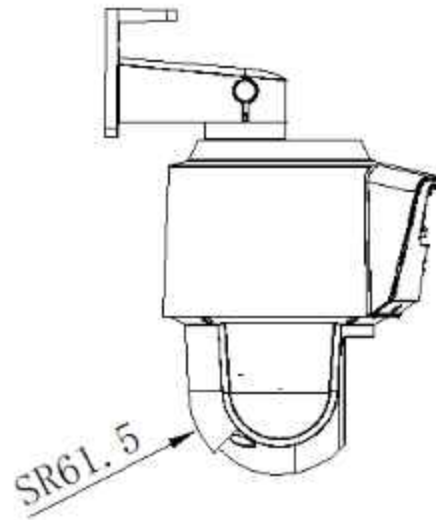
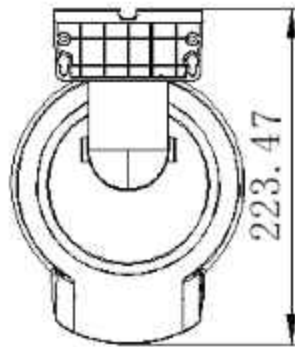
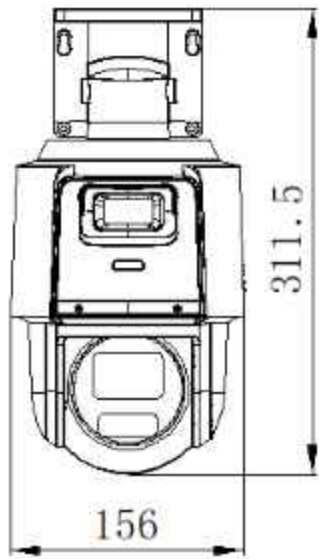
The DORI (detect, observe, recognize, identify) distance gives the general idea of the camera ability to distinguish persons or objects within its field of view. It is calculated based on the camera sensor specification and the criteria given by EN 62676-4: 2015.

| DORI            | Detect              | Observe             | Recognize          | Identify          |
|-----------------|---------------------|---------------------|--------------------|-------------------|
| Distance (Tele) | 801.7 m (2630.2 ft) | 318.2 m (1044.0 ft) | 160.3 m (525.9 ft) | 80.2 m (263.1 ft) |

## ▪ Available Model

DS-2SE3C410MWG-E/14(2.8mm)

## ▪ Dimension



Unit:mm

See Far, Go Further



[www.hikvision.com](http://www.hikvision.com)  
[support@hikvision.com](mailto:support@hikvision.com)

