

P 90

file non trovato

TECHNICAL DATA

Fluid connections	3/4" BSPP
Air connection	3/8" BSPP
Max. flow rate	100 lt/min
Max air pressure	8 bar
Max delivery head	80 m
Max suction lift dry	5 m
Max suction lift wet	9,8 m
Max solid passing	4 mm
Noise level	72 dB
Max viscosity	25.000 cps

Displacement per stroke **200 CC ~**

Displacement per stroke may vary based on suction condition, discharge head, air pressure and fluid type.

⚠ II 3/3 G Ex h IIC T4 Gc

⚠ II 3 D Ex h IIIB T135°C Dc X

PVDF+CF

WEIGHT
6.6 kg

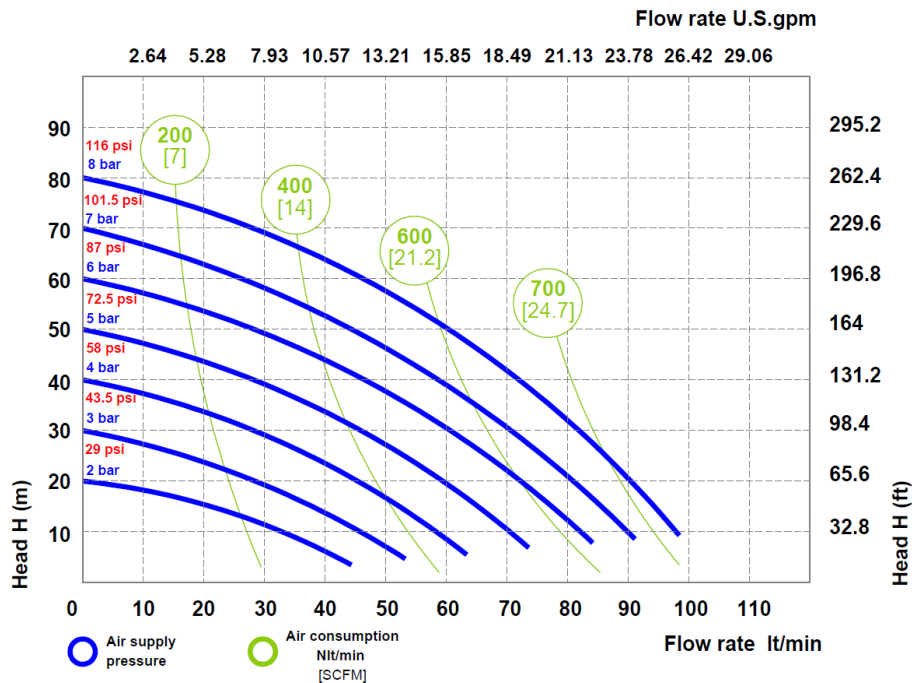
TEMPERATURE
-20°C +90°C

CE EAC

UK CA

PERFORMANCE

The curves and performance values refer to pumps with submerged suction and free delivery outlet, with water at 20 °C. These data may vary according to the construction materials and hydraulic conditions.



Made in Italy

fluimac
pump solution

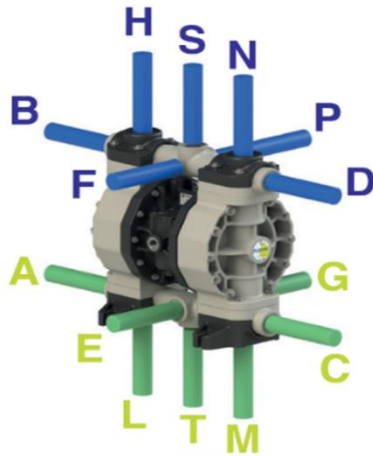
FLUIMAC S.r.l. - Via Breascia, 1 - 21049 - Tradate - VA - ITALY
 info@fluimac.com - www.fluimac.com
 tel. +39 0331 866688 - Fax +39 0331 864870
 P.I./VAT 03259160129

ISO 9001
 BUREAU VERITAS
 Certification
 ISO 9001:2008

P 90

COMPOSITION

MODEL	CASING	DIAPHRAGM	BALLS	SEATS	GASKET	CONNECTIONS	ATEX	PORTS
P0090	KC = PVDF+C F	HT = HYTREL+PTFE MT = SANTOPRENE+PTFE H = HYTREL W = SANTOPRENE H.R. D = EPDM N = NBR	T=PTFE S=SS D = EPDM N = NBR	K=PVDF S=SS	D = EPDM V = VITON N = NBR T = PTFE	1 = BSPP 2 = FLANGED 5 = NPT A = BSPP with reinforce ring E = NPT with reinforce ring	- = ZONE 2	AB = STANDAR D



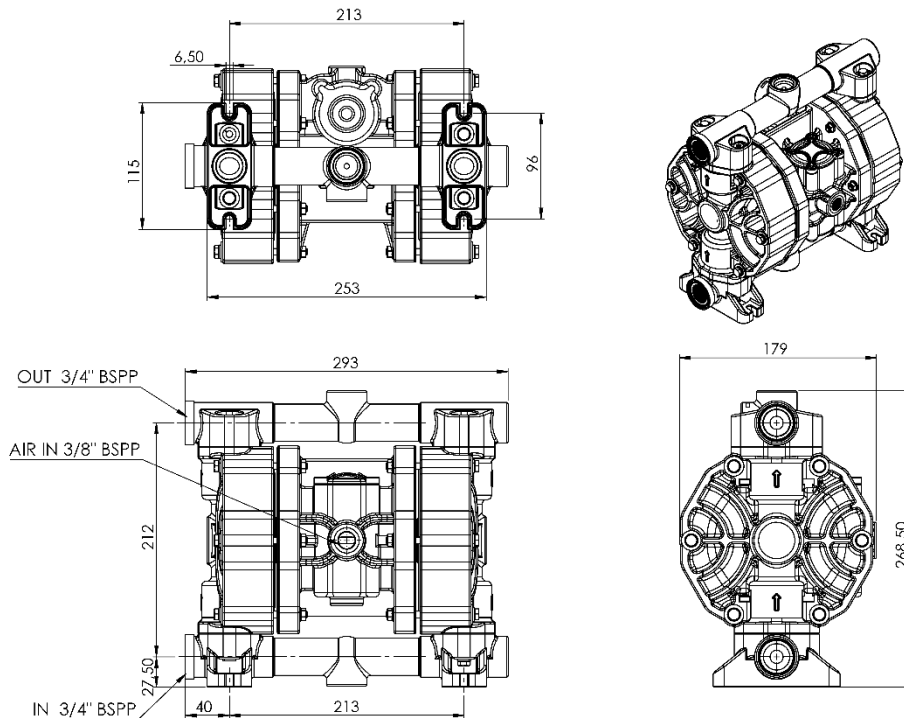
AVAILABLE CONNECTIONS

DELIVERY: B-D-S-F-P-H-N

SUCTION: A-C-T-E-G-L-M

**PACKING DIMENSION
CARTON BOX: 31 x 21 x 30 cm**

DIMENSIONS



Technical data are approximate and not binding for the manufacturer who reserves the right to change them without notice at any time.