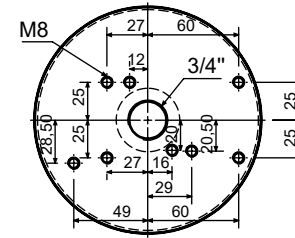
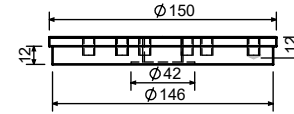
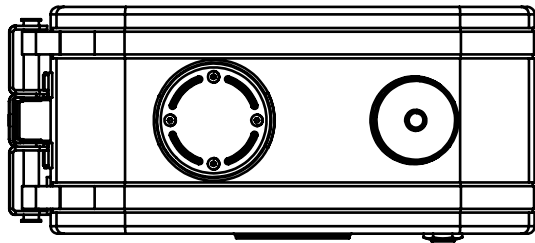
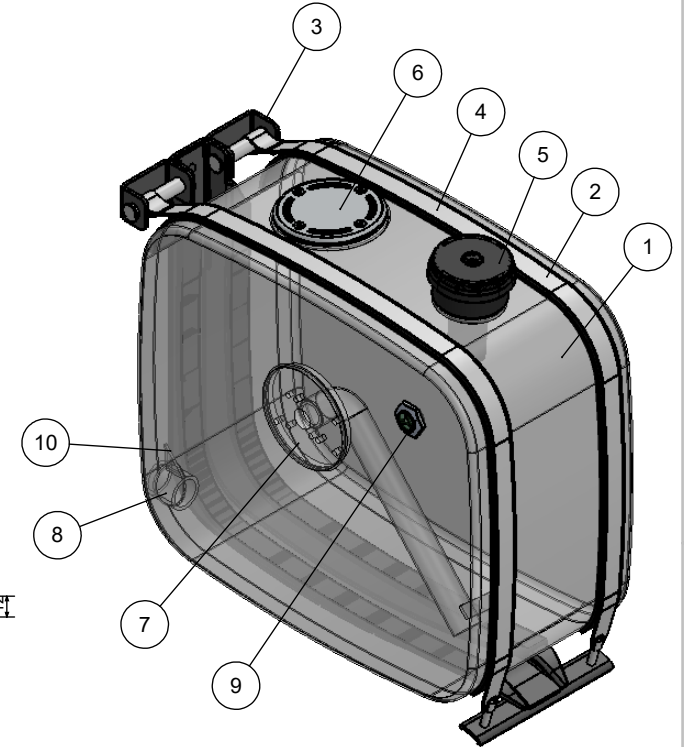
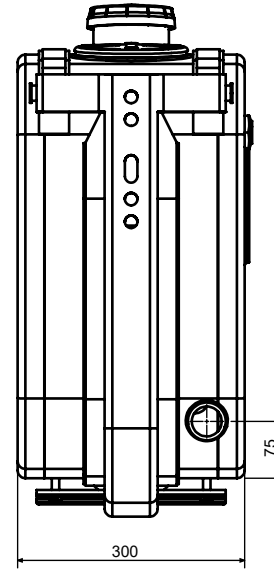
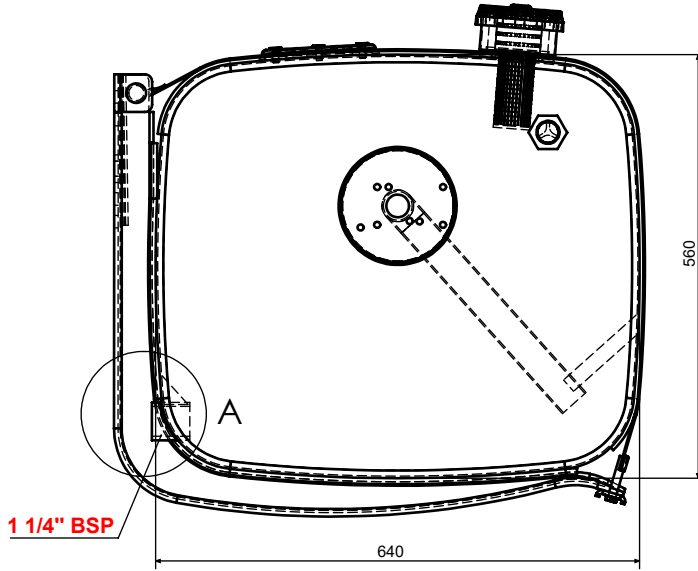
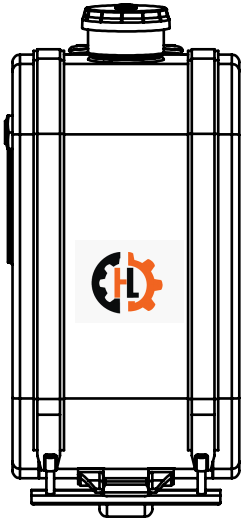
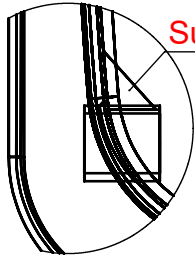


10-PIECE / ALUMINUM



FLANGED DETAIL

Support Part Welded



DETAY A
ÖLÇEK 1 : 5

ITEM	QTY	DENOMINATION
1	1	Tank Body - 2,5 mm Al.
2	2	Side plate - 2,5 mm Al.
3	2	Bracket Steel - 6mm
4	2	Belt - 2 mm Chromium
5	1	Filling Neck
6	1	Aluminum Cover
7	1	Side Flange and Return Pipe
8	1	Suction Adapter 1 1/4" BSP
9	1	Level İndicatör 1" BSP
10	1	Support

	Name Surname	Date	Signature	Weight:	 Düze Sağlam Depo
Draw	Murat Oktay	29/07/2019		Material: ALUMINUM	
Control				Part Name: 560X640X300 / 100 Liter	
Scale	1/10			Explanation: SIDE FLANGED HYRAULIC TANK	