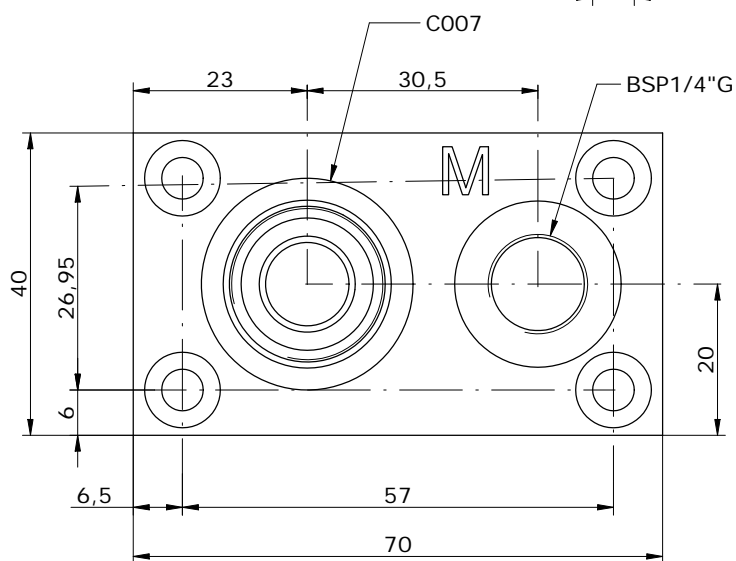
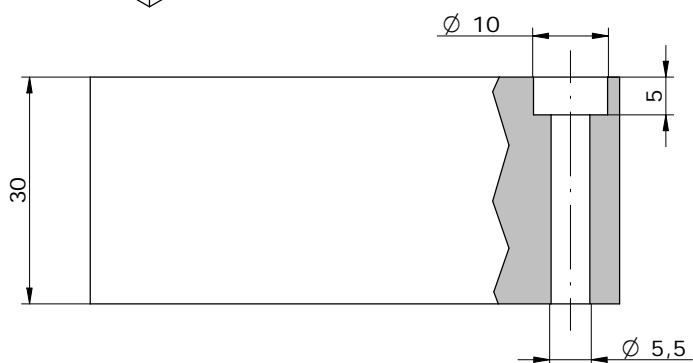
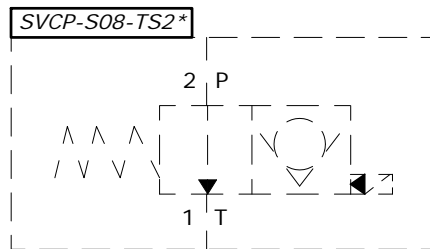
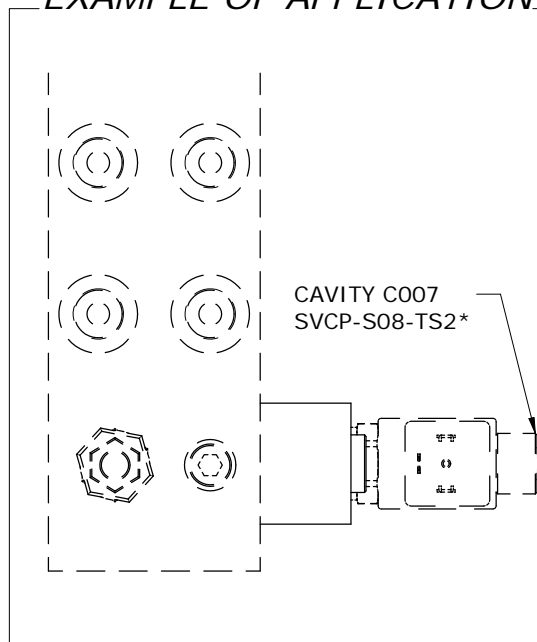


Schema idraulico
Hydraulic diagram



EXAMPLE OF APPLICATION



Valvola elettrica venduta separatamente
Venting valve sold separately

**DISPONIBILE PER/
AVAILABLE FOR:**
E_06-21

E_06 - 24 - - - - -

S = STEEL
A = ALUMINIUM

0 = VENTING VALVE READY
1 = WITH VENTING VALVE

VENTING VALVE
000 = WITHOUT V.V.
TS2 = NORMALLY OPEN

SEALS
N = BUNA
V = VITON

VENTING VALVE
0 = NO MANUAL OVERRIDE
3 = PUSH PIN
4 = PUSH BOTTON
5 = HEX. ALLEN

CONNECTOR TYPE
0 = WITHOUT COIL
C = CAVI / LEADS
D = DIN 43650
G = DEUTSCH DT04-2P
A = AMP JUNIOR

TENSIONE / VOLTAGE
000 = WITHOUT COIL
D12 = 12 VDC
D24 = 24 VDC
220 = 220 RAC

*see **CARTRIDGE VALVES** datasheets

Via Nicolò Copernico 12/c-d
29027 Casoni Di Gariga - Podenzano (PC) Italy

www.oleodinamica2mp.it
Tel +39 0523 523231
Fax +39 0523 524509