

MultiPlus-II Inverter/Charger 4k5 & 6k5 GX

230V



MultiPlus-II 6k5 GX

New models: more power per kg and per dm³, and better high temperature performance

A MultiPlus-II with LCD and GX functionality

The MultiPlus-II GX integrates a MultiPlus-II inverter/charger and a GX device with a 2 x 16 character display.

Display and WiFi

The display reads battery, inverter and solar charge controller parameters.

The same parameters can be accessed with a smartphone or other WiFi enabled device.

GX device

The integrated GX device includes:

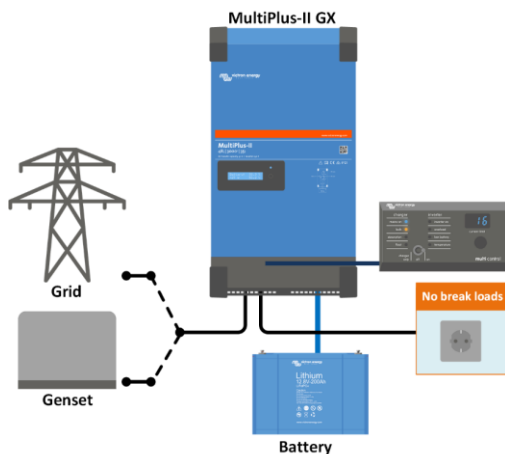
- A BMS-Can interface. This can be used to connect to a compatible CAN-bus managed battery. Note that this not a VE.Can compatible port.
- A USB port.
- An Ethernet port.
- A VE.Direct port.

Applications

The MultiPlus-II GX is intended for applications where additional interfacing with other products and/or remote monitoring is required, such as on-grid or off-grid energy storage systems and certain mobile applications.

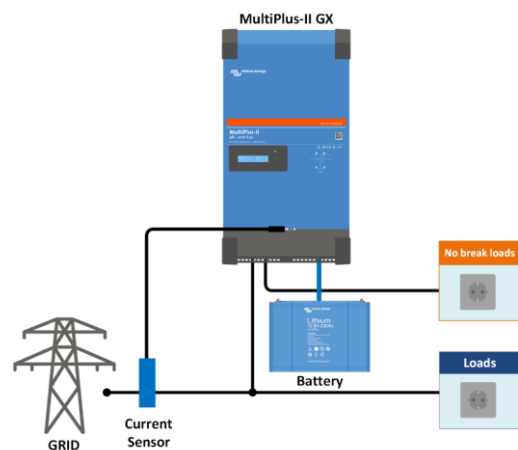
Parallel and three phase operation

Only one GX unit is needed in case of Parallel and three phase operation.



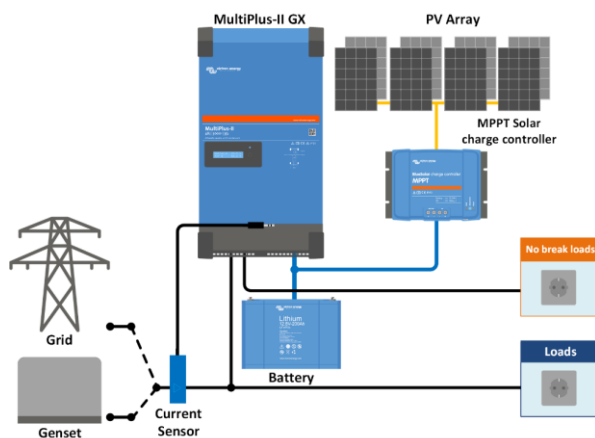
Standard marine, mobile or off-grid application

Loads that should shut down when AC input power is not available can be connected to a second output (not shown). These loads will be taken into account by the PowerControl and PowerAssist function in order to limit AC input current to a safe value when AC power is available.



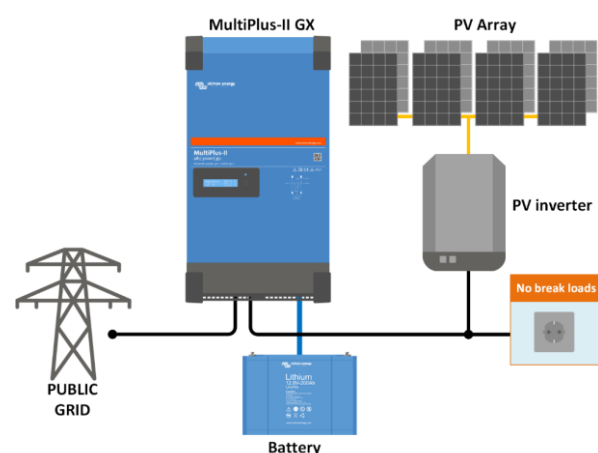
Standard mobile or off-grid application with external current sensor

Maximum current sensing range: 50 A resp 100 A.



Grid parallel topology with MPPT solar charge controller

The MultiPlus-II will use data from the external AC current sensor (must be ordered separately) or power meter to optimise self-consumption and, if required, to prevent grid feed. In case of a power outage, the MultiPlus-II will continue to supply the critical loads.



Grid in-line topology with PV inverter

PV power is directly converted to AC. The MultiPlus-II will use excess PV power to charge the batteries or to feed power back into the grid, and will discharge the battery or use power from the grid to supplement a shortage of PV power. In case of a power outage, the MultiPlus-II will disconnect the grid and continue to supply the loads.



VRM Portal

Our free remote monitoring website (VRM) will display all system data in a comprehensive graphical format. System settings can be changed remotely via the portal. Alarms can be received by e-mail or push notification.

VRM app

Monitor and manage your Victron Energy system from your smart phone and tablet. Available for both iOS and Android.



GX GSM

A cellular modem; providing a mobile internet for the system and connection to Victron Remote Management (VRM). Optional: outdoor GSM antenna and GPS antenna. For more detail please enter GX GSM in the search box on our website



Connection Area



Current sensor 100 A:50 mA

To implement PowerControl and PowerAssist and to optimize self-consumption with external current sensing. Maximum current: 50 A resp. 100 A. Length of connection cable: 1 m.



Digital Multi Control Panel

A convenient and low-cost solution for remote monitoring, with a rotary knob to set PowerControl and PowerAssist levels.

MultiPlus-II GX 230V	48/4k5/55-32	48/6k5/100-50
PowerControl & PowerAssist	Yes	
Transfer switch	32 A	50 A
Maximum AC input current	32 A	50 A
INVERTER		
DC Input voltage range	38 – 60 V	
Output	230 V ± 2%	50 Hz ± 0.1% ⁽¹⁾
Cont. output power at 25 °C	4 kW	6 kW
Cont. output power at 40 °C	3,7 kW	5,7 kW
Cont. output power at 65 °C	3 kW	4,6 kW
Time-limited power 1 (cold start)	4,5 kW/2h	6,5 kW/4h
Time-limited power 2 (cold start)	6 kW/25min	8 kW/1h
Max apparent feed-in power	4 kW	6 kW
Peak power	7 kW/1min	11 kW/1min
Maximum efficiency	95 %	96 %
Zero load power	20 W	28 W
Zero load power in AES mode	13 W	18 W
Zero load power in Search mode	8 W	8 W
CHARGER		
AC Input voltage range	187-265 V	
AC Input frequency range	45 – 65 Hz	
Charge voltage 'absorption'	57,6 V	
Charge voltage 'float'	55,2 V	
Storage mode	52,8 V	
Max. battery charge current at 25 °C	55 A	100 A
Max. battery charge current at 40 °C	50 A	95 A
Battery temperature sensor	Yes	
Compatible battery chemistries	Lithium, Lead-acid, Zinc-Bromine and more ⁽³⁾	
GENERAL		
Auxiliary output	Yes (32 A)	
Interfaces	BMS-Can, USB, Ethernet, VE.Direct, Wi-Fi	
External AC current sensor (optional)	50 A or 100 A	
Programmable relay ⁽⁴⁾	Yes	
Protection ⁽²⁾	a-g	
VE.Bus communication port	For parallel and three-phase operation, remote monitoring and system integration	
General-purpose communication port	Yes, 2x	
Remote on-off	Yes	
Operating temperature range	-40 to +65 °C (fan-assisted cooling)	
Maximum humidity (non-condensing)	95 %	
Maximum altitude	2000 m	
ENCLOSURE		
Material & Colour	Steel, blue RAL 5012	
Protection category	IP21	
Battery-connection	M8 bolts	
230 V AC connection	Screw terminals 13 mm ² (6 AWG)	
Weight	21,4 kg	29 kg
Dimensions (h x w x d)	590 x 275 x 149 mm	644 x 320 x 150 mm
STANDARDS		
Safety	EN-IEC 60335-1, EN-IEC 60335-2-29, EN-IEC 62109-1, EN-IEC 62109-2	
Emission, Immunity	EN 55014-1, EN 55014-2 EN-IEC 61000-3-2, EN-IEC 61000-3-3 IEC 61000-6-1, IEC 61000-6-2, IEC 61000-6-3	
Uninterruptible power supply	Certification pending	
Anti-islanding	Certification pending	

- 1) Can be adjusted to 60 Hz
- 2) Protection key:
 - a) output short circuit
 - b) overload
 - c) battery voltage too high
 - d) battery voltage too low
 - e) temperature too high
 - f) 230 VAC on inverter output
 - g) input voltage ripple too high

- 3) Other chemistries are possible as well, providing the charger is configured according to the battery manufacturer's specification.
- 4) Programmable relay which can be set for general alarm, DC under voltage or genset start/stop function.
AC rating: 230 V / 4 A, DC rating: 4 A up to 35 VDC and 1 A up to 60 VDC.