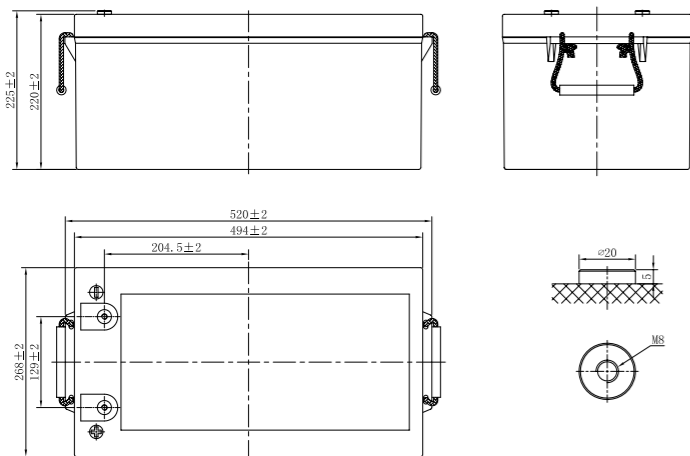


# 25.6V 150Ah

LFP Li-ion Battery



**Dimension:**



Unit: mm

**SAFETY**

- + Prismatic LiFePO4 cells (50Ah), High consistency, long cycle life and much more safety.
- + UN38.3, CE certification for system.
- + The cycle life over 3000 times @80%DOD

**DESIGN**

- + ABS container, replace VRLA battery perfectly.
- + Fast charge performance.
- + -20~+55° C widely temperature range.
- + Maintenance free.

**BATTERY MANAGEMENT SYSTEM (BMS)**

- + Integrated hardware BMS inside.
- + Independent protection for charge and discharge.
- + Over voltage, low voltage, over temperature and short circuit protection.

# 25.6V 150Ah

**Specification**

Model	R-LFP25.6V150Ah
Part Number	8010256015001
Nominal Voltage [V]	25.6
Nominal Capacity [Ah]	150
Total Energy [Wh]	3840
Max. Charging Current [A]	100
Recommended Charging Current [A]	80
Charging Voltage [V]	29.2
Max. Discharging Current [A]	100
End of Discharge Voltage [V]	22.4
Pulse Discharge Current	270A @ 10s
Dimension [W*D*H, mm]	522*268*220
Weight [Kg]	35.0
Operation Humidity	0~95% RH (No condensing)
Operating Temperature Range	Charge: 0 ~ +50 °C; Discharge: -20 ~ +55 °C
BMS Protection	Over charge Over discharge, Over temperature, Short circuit
Parallel Support	Yes, Max 2 Sets
Series Support	No Support
Cycle Life	> 3000
Designed Calendar Life	>10 Years
Certification	UN38.3, CE, MSDS

Note:  
1. 80% DOD and to 80% of initial capacity.

The datasheet is subject to change without prior notification

For more information, contact with: sales@ritarpower.com