



AUTOOL TECHNOLOGY CO.,LTD

-  www.autooltech.com
-  aftersale@autooltech.com
-  +86-755-2330 4822 / +86-400 032 0988
-  Hangcheng Jinchu Industrial Park, Bao'an,
Shenzhen,China



TABLE OF CONTENTS (Original Instructions)

| | |
|--|----|
| Copyright Information | 2 |
| Copyright..... | 2 |
| Trademark..... | 2 |
| Safety Rules | 3 |
| General safety rules..... | 3 |
| Handling..... | 3 |
| Electrical safety rules..... | 3 |
| Equipment safety rules..... | 4 |
| Application..... | 4 |
| Personnel safety rules..... | 4 |
| Cautions | 5 |
| General safety..... | 5 |
| Product Introduction | 6 |
| Introduction..... | 6 |
| Specifications..... | 6 |
| Features..... | 6 |
| Product Structure | 7 |
| Structure diagram..... | 7 |
| Preparation Before Operation | 8 |
| Adding transmission fluid..... | 8 |
| Operating Steps | 8 |
| Cycle cleaning..... | 8 |
| ATF exchange..... | 10 |
| Discharging waste oil..... | 11 |
| Maintenance Service | 12 |
| Maintenance..... | 12 |
| Warranty | 13 |
| Warranty access..... | 13 |
| Disclaimer..... | 13 |
| Return & Exchange Service | 14 |
| Return & Exchange..... | 14 |
| EU Declaration Of Conformity | 15 |

COPYRIGHT INFORMATION

Copyright

- All rights reserved by AUTOOL TECH. CO., LTD. No part of this publication may be reproduced, stored in a retrieval system, or transmitted in any form or by any means, electronic, mechanical, photocopying, recording or otherwise, without the prior written permission of AUTOOL. The information contained herein is designed only for the use of this unit. AUTOOL is not responsible for any use of this information as applied to other units.
 - Neither AUTOOL nor its affiliates shall be liable to the purchaser of this unit or third parties for damages, losses, costs, or expenses incurred by the purchaser or third parties as a result of: accident, misuse, or abuse of this unit, or unauthorized modifications, repairs, or alterations to this unit, or failure to strictly comply with AUTOOL operating and maintenance instructions.
 - AUTOOL shall not be liable for any damages or problems arising from the use of any options or any consumable products other than those designated as original AUTOOL products or AUTOOL approved products by AUTOOL.
 - Other product names used herein are for identification purposes only and may be trademarks of their respective owners. AUTOOL disclaims any and all rights in those marks.
-

Trademark

Manual are either trademarks, registered trademarks, service marks, domain names, logos, company names or are otherwise the property of AUTOOL or its affiliates. In countries where any of the AUTOOL trademarks, service marks, domain names, logos and company names are not registered, AUTOOL claims other rights associated with unregistered trademarks, service marks, domain names, logos, and company names. Other products or company names referred to in this manual may be trademarks of their respective owners. You may not use any trademark, service mark, domain name, logo, or company name of AUTOOL or any third party without permission from the owner of the applicable trademark, service mark, domain name, logo, or company name. You may contact AUTOOL by visiting AUTOOL at <https://www.autooltech.com>, or writing to aftersale@autooltech.com, to request written permission to use materials on this manual for purposes or for all other questions relating to this manual.

SAFETY RULES

General safety rules



- ▶ Always keep this user manual with the machine.
- ▶ Before using this product, read all the operational instructions in this manual. If you have any questions, feel free to contact us or our dealers. Failure to follow them may result in electric shock and irritation to skin and eyes.



- ▶ Each user is responsible for installing and using the equipment according to this user manual. The supplier is not responsible for damage caused by improper use and operation.
- ▶ This equipment must only be operated by trained and qualified personnel. Do not operate it under the influence of drugs, alcohol, or medication.



- ▶ This machine is developed for specific applications. The supplier points out that any modification and/or use for any unintended purposes is strictly prohibited.
- ▶ The supplier assumes no express or implied warranties or liabilities for personal injury or property damage caused by improper use, misuse, or failure to follow safety instructions.
- ▶ This tool is intended for professional use only. Non-professional operation may result in injury to personnel or damage to tools or workpieces.



- ▶ Keep out of reach of children.



- ▶ When operating, ensure nearby personnel or animals maintain a safe distance. Avoid working in rain, water, or damp environments. Keep the work area well-ventilated, dry, clean, and bright.
-

Handling



- ▶ Used/damaged equipment must not be disposed of in household waste but must be disposed of in an environmentally friendly manner. Use designated electrical equipment collection points.
 - ▶ Waste oil should be treated as hazardous waste, for example, it should be processed at a pollution recovery site.
-

Electrical safety rules



- ▶ Do not twist or severely bend the power cord. It may damage the internal wires. If the power cord shows signs of damage, do not use the products. Damaged cables pose a risk of electric shock. Keep the power cord away from heat sources, oil sources, sharp edges, and moving parts. Damaged power cords must be replaced by the manufacturer, its technician, or similarly qualified personnel to prevent dangerous situations or injuries.

Equipment safety rules



- ▶ Never leave the equipment unattended when it is powered on. Always turn off the equipment at the main switch and disconnect the power cord when not in use for its intended purpose!
- ▶ Do not attempt to repair the equipment yourself.
- ▶ Before connecting it to power, check that the socket voltage and fuse ratings match the values on the nameplate. Mismatch may cause serious hazards and equipment damage.



- ▶ It is essential to protect the equipment from rainwater, moisture, mechanical damage, overload, and rough handling.

Application



- ▶ Before use, check whether the power supply line, connecting hoses, and adapters are damaged. Do not operate the equipment if damaged.
- ▶ Use the equipment only in compliance with all safety instructions, technical documents, and vehicle manufacturer specifications.
- ▶ When adding supplementary fluids, only use brand-new and unopened products.

Personnel safety rules



- ▶ The filling oil used in the equipment may be harmful to health and any contact must be avoided.



- ▶ Always wear protective glasses when using the equipment to protect the eyes from possible splashes. In case of contact, rinse with running water for several minutes under open eyelids. If symptoms persist, consult a doctor.



- ▶ Always wear protective gloves during work to avoid skin contact with oils. If skin contact occurs, wash immediately with soap and water. Remove contaminated clothing or shoes immediately.
- ▶ If swallowed, seek medical advice immediately.
- ▶ The temperature of car engine exhaust pipes, radiators, and other parts can be quite high. Operators should keep a safe distance from these hot components to prevent burns.
- ▶ Always ensure that you have a stable footing so that you can safely control the equipment in unexpected situations.

CAUTIONS

General safety



For the correct use of the instrument, please read the full text of this manual carefully before use.

- ▶ Check the oil tank before exchanging the oil. Avoid working without enough transmission fluid or using inferior transmission fluid.
- ▶ All pipes must avoid contact with heated and rotating parts of the vehicle, such as cooling fans, radiators, etc.
- ▶ Oils other than transmission oil are prohibited from being added to the equipment.
- ▶ The equipment must be operated in a horizontal position while running to prevent the oil pump from not cleanly drawing the oil inside the tank.
- ▶ When the machine is working, the operator must constantly watch the machine and carry out corresponding operations in a timely manner.
- ▶ If the machine is not to be used for a long time, disconnect the power supply.

PRODUCT INTRODUCTION

- Introduction**
- The ATF702 semi-auto ATF exchanger is simple and convenient to operate, allowing you to complete the cleaning and refilling of new oil for the transmission, torque converter, and transmission radiator in just 20 minutes. It thoroughly replaces old and new oil, removing metal shavings and sludge impurities, with an oil change rate of over 90%. This ensures that the transmission remains “like new,” achieving the true purpose of maintenance for the transmission.
 - Any other use is considered beyond the intended purpose of the equipment and is prohibited.
-

Specifications

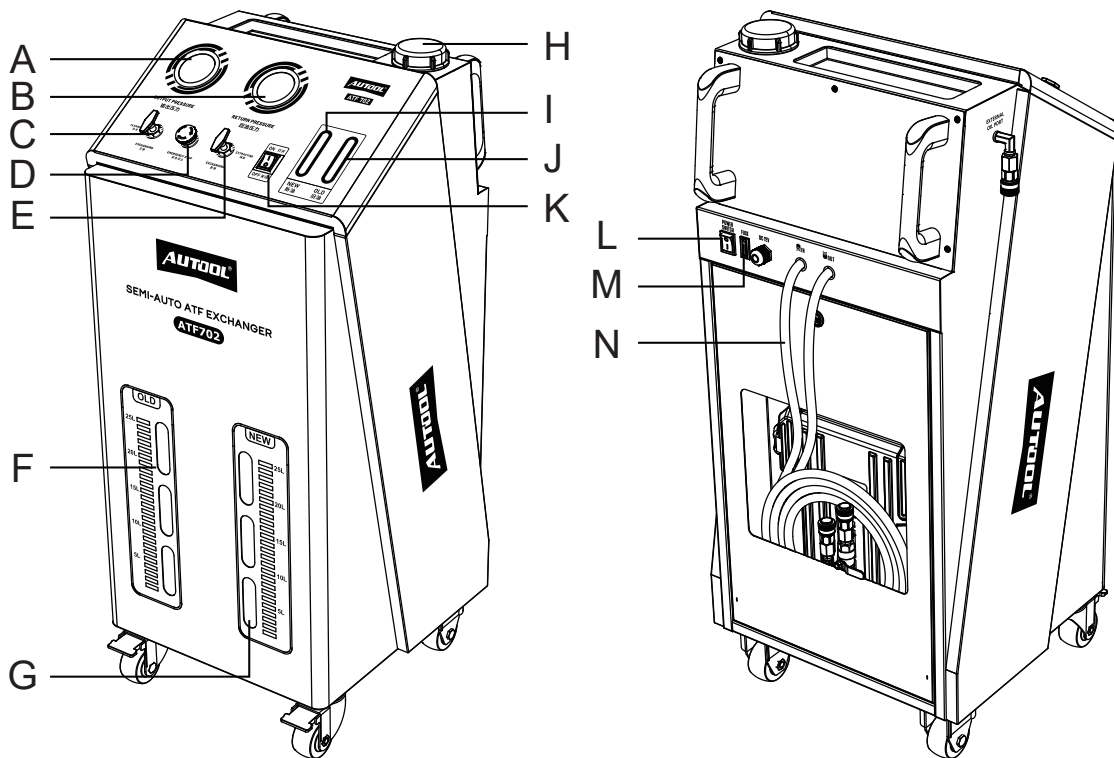
| | |
|----------------------------------|----------------------------|
| Voltage | DC 12V |
| Maximum power | <150W |
| Pressure gauge | 10kg/cm² |
| Outlet hose | 2.5m |
| Oil return hose | 2.5m |
| Oil tank | 20L |
| Equal quantity replacement error | <0.2kg |
| Noise | <70db |

Features

- Suitable for automatic transmissions in European, American, and Japanese vehicles.
- Without disassembly, it can easily clear metal shavings and sludge inside the transmission.
- Includes a separate Cycly-cleaning function, making maintenance more thorough.
- Mobile design, with a reasonable structure and simple operation.
- Utilizes quick connectors to link with transmission radiator piping, allowing for simple and fast operation.
- Effectively resolves the issue of incomplete transmission fluid replacement.
- Improves the working performance of the transmission.
- Extends the service life of the transmission.

PRODUCT STRUCTURE

Structure diagram



| | | | |
|----------|-----------------------|----------|-----------------------|
| A | Output pressure gauge | B | Return pressure gauge |
| C | Switch valve 1 | D | Emergency stop switch |
| E | Switch valve 2 | F | Used oil tank level |
| G | New oil tank level | H | New oil inlet |
| I | New oil window | J | Used oil window |
| K | Power switch | L | Switch |
| M | Fuse | N | Connecting pipe |

PREPARATION BEFORE OPERATION

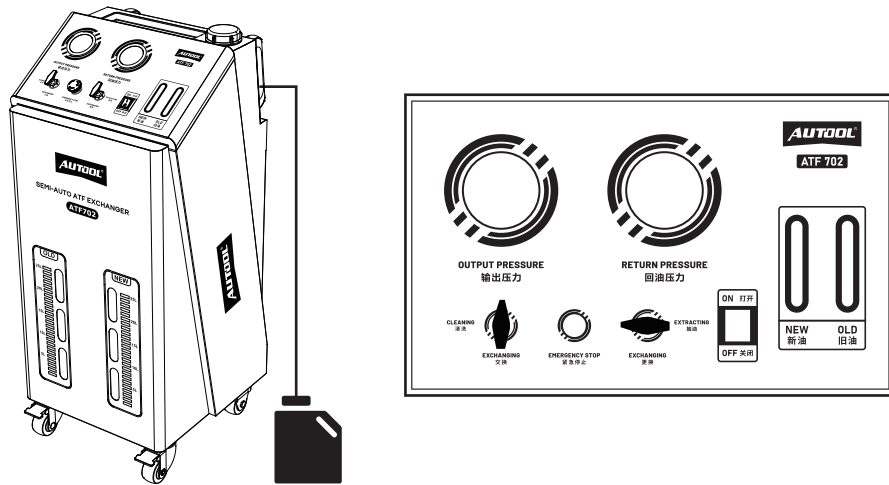
Adding transmission fluid

Method 1

- Add the transmission fluid into the machine's oil inlet.

Method 2

- Insert the transparent connecting pipe into an external new oil tan, turn the left valve to the "Exchanging" position, and the right valve to the "Extracting" position; this will draw the oil from the external new oil tank.

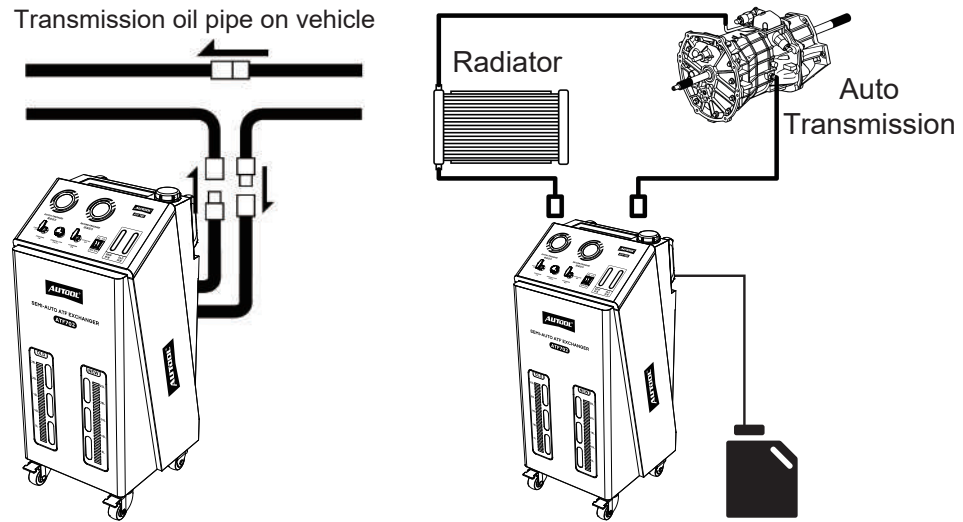


Connect the battery clamps to the car's battery (red clamp to the positive terminal, black clamp to the negative terminal), attach the transparent connecting pipe to the outlet pipe, and turn on the power switch until new oil flows out (this step can bleed the air inside the machine).

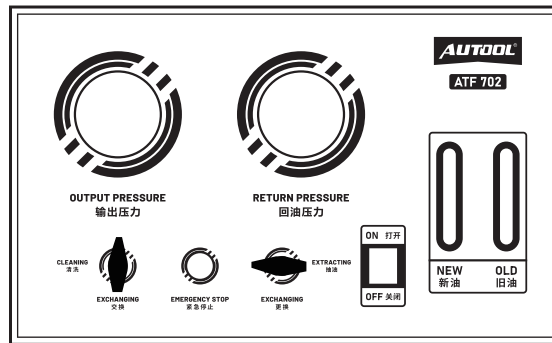
OPERATING STEPS

Cycle cleaning

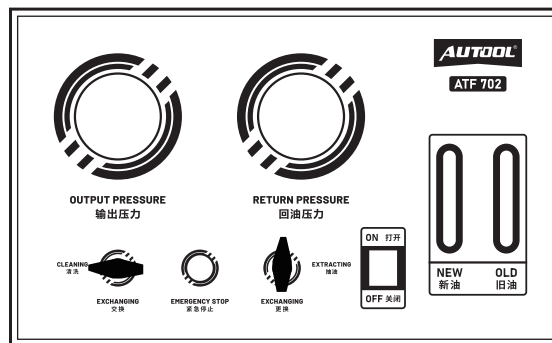
- Ensure the car is in a braking state and safely lift the vehicle.
- Locate the connecting oil pipe between the transmission and the radiator and disconnect one that is easy to remove.
- Choose the corresponding adapter from the adapter box and connect it to the machine's oil pipe (some models may require a special connector).
- Connect the car's oil-outlet end to the machine's left-side "return oil" connector, and the car's oil-inlet end to the machine's right-side "outflow oil" connector (you can briefly start the engine to determine the direction of oil-outlet and oil-inlet).



- Connect one end of the transparent connecting pipe to the external oil inlet on the side of the machine and the other end into the cleaning fluid.
- Turn the left valve to the “Exchanging” position, and the right valve to the “Extracting” position.



- Turn on the power switch; at this point, the cleaning fluid will be drawn into the transmission.
- Once the cleaning fluid has been fully injected, remove the transparent short tube and turn off the power switch. Turn the left valve to the “Clean” position and the right valve to the “Exchanging” position.

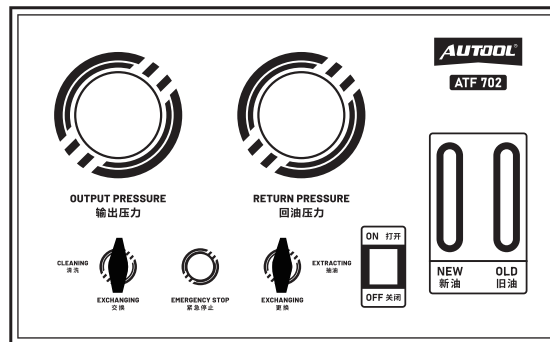


- Start the car’s engine (the equipment’s power does not need to be turned on during cleaning). The machine is now in a Cycle Cleaning state, and

you can observe the oil flow from the new and old oil windows. During the cleaning process, switch between each gear and pause for 5-10 seconds, completing the cleaning in 5 minutes, after which you can turn off the engine.

ATF exchange

- Turn the left valve to the “Exchanging” position and the right valve to the “Exchanging” position. Turn on the machine’s power switch, and start injecting new oil into the transmission. When oil is seen flowing in the new oil window, start the car’s engine, and the automatic transmission will begin the oil change.



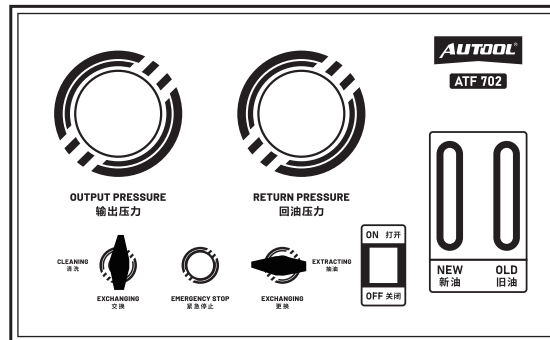
- During the oil exchange process, observe the new and old oil windows. If the flow rate of the new oil is slower than the old oil, use the valve on the return oil pipe to reduce the flow of old oil, to balance the flow rates of the new and old oils.
- During the exchange of new and old oil, each gear should be held for 5-10 seconds.
- Watch the color change in the old oil window. When the color of the transmission fluid in the old oil window changes from murky to the same color as the new oil, the transmission oil change is complete.
- Turn off the car’s engine, restore the transmission oil pipe connection as it was, then restart the engine and switch to “P” (Park) to check the transmission fluid level. If the fluid level is low, add more new transmission fluid and check for any leaks in the pipes. After the fluid level is sufficient, test drive for about a kilometer, then check again (very important).

NOTE

- ▶ Ensure correct connection of the drainage pipe, return pipe, and automatic transmission oil pipe.
- ▶ Check for any leaks in the connections. If there are any leaks, stop the machine and reinstall.

Discharging waste oil

- Turn the left valve to the “Exchanging” position and the right valve to the “Extracting” position.



- Connect one end of the transparent connecting pipe to the main machine’s “external oil suction connector” and the other end to the machine’s return oil pipe.
- Attach the suitable connector to the front end of the outflow pipe; turn on the power switch, and the waste oil will be discharged.

MAINTENANCE SERVICE

Our products are made of long-lasting and durable materials, and we insist on perfect production process. Each product leaves the factory after 35 procedures and 12 times of testing and inspection work, which ensures that each product has excellent quality and performance.

Maintenance

To maintain the performance and appearance of the product, it is recommended that the following product care guidelines be read carefully:

- Be careful not to rub the product against rough surfaces or wear the product, especially the sheet metal housing.
- Please regularly check the product parts that need to be tightened and connected. If found loose, please tighten it in time to ensure the safe operation of the equipment. The external and internal parts of the equipment in contact with various chemical media should be frequently treated with anti-corrosion treatment such as rust removal and painting to improve the corrosion resistance of the equipment and extend its service life.
- Comply with the safe operating procedures and do not overload the equipment. The safety guards of the products are complete and reliable. Unsafe factors are to be eliminated in time. The circuit part should be checked thoroughly and the aging wires should be replaced in time.
- Adjust the clearance of various parts and replace worn (broken) parts. Avoid contact with corrosive liquids.
- When not in use, please store the product in a dry place. Do not store the product in hot, humid, or non-ventilated places.

WARRANTY

From the date of receipt, we provide a three-year warranty for the main unit and all the accessories included are covered by a one-year warranty.

Warranty access

- The repair or replacement of products is determined by the actual breakdown situation of product.
- It is guaranteed that AUTOOL will use brand new component, accessory or device in terms of repair or replacement.
- If the product fails within 90 days after the customer receives it, the buyer should provide both video and picture, and we will bear the shipping cost and provide the accessories for the customer to replace it free of charge. While the product is received for more than 90 days, the customer will bear the appropriate cost and we will provide the parts to the customer for replacement free of charge.

These conditions below shall not be in warranty range

- The product is not purchased through official or authorized channels.
- The product breakdown because the user does not follow product instructions to use or maintain the product.

We AUTOOL pride ourselves on superb design and excellent service. It would be our pleasure to provide you with any further support or services.

Disclaimer

- All information, illustrations, and specifications contained in this manual, AUTOOL reserves the right of modify this manual and the machine itself with no prior notice. The physical appearance and color may differ from what is shown in the manual, please refer to the actual product. Every effort has been made to make all descriptions in the book accurate, but inevitably there are still inaccuracies, if in doubt, please contact your dealer or AUTOOL after-service centre, we are not responsible for any consequences arising from misunderstandings.

RETURN & EXCHANGE SERVICE

Return & Exchange

- If you are an AUTOOL user and are not satisfied with the AUTOOL products purchased from the online authorized shopping platform and offline authorized dealers, you can return the products within seven days from the date of receipt; or you may exchange it for another product of the same value within 30 days from the date of delivery.
- Returned and exchanged products must be in fully saleable condition with documentation of the relevant bill of sale, all relevant accessories and original packaging.
- AUTOOL will inspect the returned items to ensure that they are in good condition and eligible. Any item that does not pass inspection will be returned to you and you will not receive a refund for the item.
- You can exchange the product through the customer service center or AUTOOL authorized distributors; the policy of return and exchange is to return the product from where it was purchased. If there are difficulties or problems with your return or exchange, please contact AUTOOL Customer Service.

| | |
|---------------------|---|
| China | 400-032-0988 |
| Oversea Zone | +86 0755 23304822 |
| E-mail | aftersale@autooltech.com |
| Facebook | https://www.facebook.com/autool.vip |
| YouTube | https://www.youtube.com/c/autooltech |

EU DECLARATION OF CONFORMITY

We as the manufacturer declare that the designated product:
Auto ATF Exchanger (Model ATF 702)

Complies with the requirements of the:

CE-MD Committee Directive 2006/42/EC

RoHS Directive 2011/65/EU + 2015/863 + 2017/2102

Applied Standards:

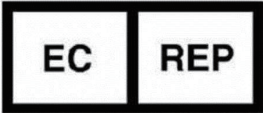
EN 60204-1:2018, EN ISO 12100:2010

IEC 62321-3-1:2013, IEC 62321-5:2013, IEC 62321-4:2013+A1:2017, IEC 62321-7-1:2015, IEC 62321-7-2:2017, IEC 62321-1:2013, IEC 62321-6:2015, IEC 62321-8:2017

Certificate No.: ZHT-230207010C, ZHT-230207011C

Test Report No.: ZHT-230207010S, ZHT-230207011R



| | |
|---|--|
| Manufacturer | Shenzhen AUTOOL Technology Co, Ltd. |
| | Floor 2, Workshop 2, Hezhou Anle Industrial Park, Hezhou Community, Hangcheng Street, Bao 'an District, Shenzhen Email: aftersale@autooltech.com |
|  | COMPANY NAME: XDH Tech |
| | ADRESS: 2 Rue Coysevox Bureau 3, Lyon, France E-MaiL: xdh.tech@outlook.com CONTACT PERSON: Dinghao Xue |

INHALTSVERZEICHNIS (Übersetzung der originalen Anweisungen)

| | |
|---|----|
| Urheberrechtliche Information | 17 |
| Urheberrecht | 17 |
| Markenzeichen | 17 |
| Sicherheitsregeln | 18 |
| Allgemeine sicherheitsregeln | 18 |
| Handhabung | 18 |
| Elektrische sicherheitsregeln | 19 |
| Geräte sicherheitsregeln | 19 |
| Anwendung | 19 |
| Personalsicherheitsregeln | 19 |
| WARNHINWEISE | 20 |
| Allgemeine Sicherheit | 20 |
| PRODUKTEINFÜHRUNG | 21 |
| Einführung | 21 |
| Spezifikationen | 21 |
| Merkmale | 21 |
| PRODUKTSTRUKTUR | 22 |
| Strukturdiagramm | 22 |
| VORBEREITUNG VOR DER BEDIENUNG | 23 |
| Hinzufügen von Getriebeflüssigkeit | 23 |
| BEDINUNGSSCHRITTE | 23 |
| Zyklische Reinigung | 23 |
| ATF-Austausch | 25 |
| Entsorgung von Altöl | 26 |
| Wartungsservice | 27 |
| Wartungs | 27 |
| Garantie | 28 |
| Garantiemethode | 28 |
| Haftungsausschluss | 28 |
| Rückgabe-und umtauschservice | 29 |
| Rückkehr | 29 |
| EU-Konformitätserklärung | 30 |

URHEBERRECHTLICHE INFORMATION

- Urheberrecht**
- Alle Rechte vorbehalten von AUTOOL TECH. CO., LTD. Kein Teil dieser Veröffentlichung darf ohne vorherige schriftliche Genehmigung von AUTOOL in irgendeiner Form oder mit irgendwelchen Mitteln, sei es elektronisch, mechanisch, fotokopiert, aufgezeichnet oder auf andere Weise, reproduziert, in einem Datenabrufsystem gespeichert oder übertragen werden. Die hier enthaltenen Informationen sind ausschließlich für die Verwendung dieses Geräts bestimmt. AUTOOL ist nicht verantwortlich für die Verwendung dieser Informationen in Bezug auf andere Geräte.
 - Weder AUTOOL noch seine Tochtergesellschaften haften gegenüber dem Käufer dieses Geräts oder Dritten für Schäden, Verluste, Kosten oder Ausgaben, die dem Käufer oder Dritten infolge von Unfällen, Missbrauch oder Fehlgebrauch dieses Geräts, unbefugten Änderungen, Reparaturen oder Modifikationen dieses Geräts oder Nichtbeachtung der AUTOOL Betriebs- und Wartungsanweisungen entstanden sind.
 - AUTOOL haftet nicht für Schäden oder Probleme, die durch die Verwendung von Optionen oder Verbrauchsmaterialien entstehen, die nicht als Originalprodukte von AUTOOL oder als von AUTOOL zugelassene Produkte von AUTOOL gekennzeichnet sind.
 - Andere in diesem Dokument verwendete Produktnamen dienen nur Identifikationszwecken und können Marken ihrer jeweiligen Eigentümer sein. AUTOOL verzichtet auf alle Rechte an diesen Marken.
-

Markenzeichen

Alle in diesem Handbuch genannten Marken, eingetragenen Marken, Dienstleistungsmarken, Domainnamen, Logos, Unternehmensnamen oder Eigentum von AUTOOL oder seinen Tochtergesellschaften. In Ländern, in denen eine der AUTOOL-Marken, Dienstleistungsmarken, Domainnamen, Logos und Unternehmensnamen nicht registriert ist, behauptet AUTOOL andere Rechte in Bezug auf nicht registrierte Marken, Dienstleistungsmarken, Domainnamen, Logos und Unternehmensnamen. Andere in diesem Handbuch erwähnte Produkte oder Unternehmensnamen können Marken ihrer jeweiligen Eigentümer sein. Sie dürfen keine Marke, Dienstleistungsmarke, Domainnamen, Logo oder Unternehmensnamen von AUTOOL oder Dritten ohne die Zustimmung des Eigentümers der entsprechenden Marke, Dienstleistungsmarke, Domainnamen, Logos oder Unternehmensnamen verwenden. Sie können AUTOOL kontaktieren, indem Sie AUTOOL unter <https://www.autooltech.com> besuchen oder an aftersale@autooltech.com schreiben, um um schriftliche Genehmigung zur Verwendung von Materialien in diesem Handbuch für bestimmte Zwecke oder für alle anderen Fragen im Zusammenhang mit diesem Handbuch zu bitten.

SICHERHEITSGESAMTREGELN

Allgemeine sicherheitsregeln



- ▶ Bewahren Sie diese Bedienungsanleitung immer bei der Maschine auf.
- ▶ Lesen Sie vor der Verwendung dieses Produkts alle Betriebsanweisungen in dieser Anleitung durch. Bei Fragen können Sie sich gerne an uns oder unsere Händler wenden. Das Nichtbefolgen kann zu Stromschlägen sowie Reizungen an Haut und Augen führen.



- ▶ Jeder Benutzer ist dafür verantwortlich, die Ausrüstung gemäß dieser Bedienungsanleitung zu installieren und zu verwenden. Der Lieferant haftet nicht für Schäden, die durch unsachgemäßen Gebrauch und Betrieb verursacht werden.
- ▶ Diese Ausrüstung darf nur von geschultem und qualifiziertem Personal bedient werden. Bedienen Sie sie nicht unter dem Einfluss von Drogen, Alkohol oder Medikamenten.



- ▶ Diese Maschine wurde für spezifische Anwendungen entwickelt. Der Lieferant weist darauf hin, dass jede Modifikation und/oder Verwendung für nicht vorgesehene Zwecke strengstens verboten ist.
- ▶ Der Lieferant übernimmt keine ausdrücklichen oder stillschweigenden Garantien oder Haftungen für Personenschäden oder Sachschäden, die durch unsachgemäßen Gebrauch, Missbrauch oder Nichtbefolgung von Sicherheitsanweisungen verursacht werden.
- ▶ Dieses Werkzeug ist ausschließlich für den professionellen Gebrauch bestimmt. Eine nicht fachgerechte Bedienung kann zu Verletzungen von Personal oder Schäden an Werkzeugen oder Werkstücken führen.



- ▶ Außerhalb der Reichweite von Kindern aufbewahren.



- ▶ Stellen Sie beim Betrieb sicher, dass sich nahegelegenes Personal oder Tiere in sicherem Abstand befinden. Arbeiten Sie nicht bei Regen, Wasser oder in feuchten Umgebungen. Halten Sie den Arbeitsbereich gut belüftet, trocken, sauber und gut beleuchtet.
-

Handhabung



- ▶ Gebrauchte/beschädigte Geräte dürfen nicht im Hausmüll entsorgt werden, sondern müssen umweltfreundlich entsorgt werden. Verwenden Sie dafür vorgesehene Sammelstellen für Elektrogeräte.



- ▶ Altöl sollte als gefährlicher Abfall behandelt werden, zum Beispiel sollte es auf einer Umwelt-Sanierungsstelle verarbeitet werden.
-

**Elektrische
sicherheitsre-
geln**



- ▶ Verdrehen oder starkes Biegen des Netzkabels vermeiden. Dies kann die internen Drähte beschädigen. Wenn das Netzkabel Anzeichen von Beschädigung zeigt, die Maschine nicht verwenden. Beschädigte Kabel bergen das Risiko eines elektrischen Schlags. Das Netzkabel von Wärmequellen, Ölquellen, scharfen Kanten und beweglichen Teilen fernhalten. Beschädigte Netzkabel müssen von einem Hersteller, einem Techniker des Herstellers oder einer gleich qualifizierten Person ersetzt werden, um gefährliche Situationen oder Verletzungen zu verhindern.

**Geräte sicher-
heitsregeln**



- ▶ Lassen Sie das Gerät niemals unbeaufsichtigt, wenn es eingeschaltet ist. Schalten Sie das Gerät immer am Hauptschalter aus und ziehen Sie den Netzstecker ab, wenn es nicht für seinen vorgesehenen Zweck verwendet wird!
- ▶ Versuchen Sie nicht, das Gerät selbst zu reparieren.
- ▶ Vor dem Anschließen an die Stromversorgung überprüfen Sie, ob die Spannung der Steckdose und die Sicherungswerte mit den Werten auf dem Typenschild übereinstimmen. Eine Nichtübereinstimmung kann ernste Gefahren und Geräteschäden verursachen.



- ▶ Es ist unerlässlich, das Gerät vor Regenwasser, Feuchtigkeit, mechanischen Schäden, Überlastung und grober Handhabung zu schützen.

Anwendung



- ▶ Überprüfen Sie vor der Verwendung, ob die Stromversorgungsleitung, Verbindungsschläuche und Adapter beschädigt sind. Betreiben Sie das Gerät nicht, wenn es beschädigt ist.
- ▶ Verwenden Sie das Gerät nur unter Einhaltung aller Sicherheitsanweisungen, technischen Dokumente und Spezifikationen des Fahrzeugherstellers.
- ▶ Verwenden Sie beim Hinzufügen von Zusatzflüssigkeiten nur brandneue und ungeöffnete Produkte.

**Personalsich-
erheitsregeln**



- ▶ Das Füllöl, das in der Ausrüstung verwendet wird, kann gesundheitsschädlich sein, und jeder Kontakt sollte vermieden werden.



- ▶ Tragen Sie beim Gebrauch der Ausrüstung immer Schutzbrillen, um die Augen vor möglichen Spritzern zu schützen. Bei Kontakt mit den Augen sofort mehrere Minuten lang mit fließendem Wasser unter geöffneten Lidern ausspülen. Wenn Symptome anhalten, einen Arzt konsultieren.



- ▶ Bitte tragen Sie immer Schutzhandschuhe bei der Arbeit, um Hautkontakt mit Ölen zu vermeiden. Falls Hautkontakt erfolgt, sofort mit Seife und Wasser gründlich reinigen. Verschmutzte Kleidung oder Schuhe umgehend entfernen.
- ▶ Bei Verschlucken sofort ärztlichen Rat einholen.
- ▶ Die Temperatur von Auspuffrohren, Kühlern und anderen Teilen des Auto-Motors kann sehr hoch sein. Bediener sollten einen sicheren Abstand zu diesen heißen Komponenten einhalten, um Verbrennungen zu vermeiden.
- ▶ Stellen Sie immer sicher, dass Sie einen stabilen Stand haben, damit Sie die Ausrüstung sicher in unerwarteten Situationen kontrollieren können.

WARNHINWEISE

Allgemeine Sicherheit



Für die korrekte Nutzung des Geräts lesen Sie bitte vor der Verwendung sorgfältig den gesamten Text dieses Handbuchs.

- ▶ Überprüfen Sie vor dem Ölwechsel den Öltank. Vermeiden Sie Arbeiten ohne ausreichende Getriebeflüssigkeit oder die Verwendung minderwertiger Getriebeflüssigkeit.
- ▶ Alle Rohre müssen den Kontakt mit erhitzten und rotierenden Teilen des Fahrzeugs vermeiden, wie z.B. Kühlerlüfter, Radiatoren, etc.
- ▶ Das Hinzufügen von Ölen, die nicht Getriebeöl sind, ist am Gerät untersagt.
- ▶ Das Gerät muss während des Betriebs in horizontaler Position betrieben werden, um zu verhindern, dass die Ölpumpe das Öl im Tank nicht sauber aufsaugt.
- ▶ Wenn die Maschine arbeitet, muss der Bediener die Maschine ständig beobachten und rechtzeitig entsprechende Operationen durchführen.
- ▶ Wenn die Maschine längere Zeit nicht benutzt wird, trennen Sie die Stromversorgung.

PRODUKTEINFÜHRUNG

Einführung

- Der ATF702 Halbautomatische ATF-Austauscher ist einfach und bequem zu bedienen und ermöglicht es Ihnen, die Reinigung und das Nachfüllen von neuem Öl für das Getriebe, den Drehmomentwandler und den Getrieberadiator in nur 20 Minuten abzuschließen. Er ersetzt gründlich altes und neues Öl, entfernt Metallspäne und Schlammverunreinigungen, mit einer Ölwechselrate von über 90%. Dies gewährleistet, dass das Getriebe "wie neu" bleibt und erreicht damit den eigentlichen Zweck der Wartung für das Getriebe.
 - Jede andere Verwendung gilt als über den vorgesehenen Zweck der Ausrüstung hinausgehend und ist untersagt.
-

Spezifikationen

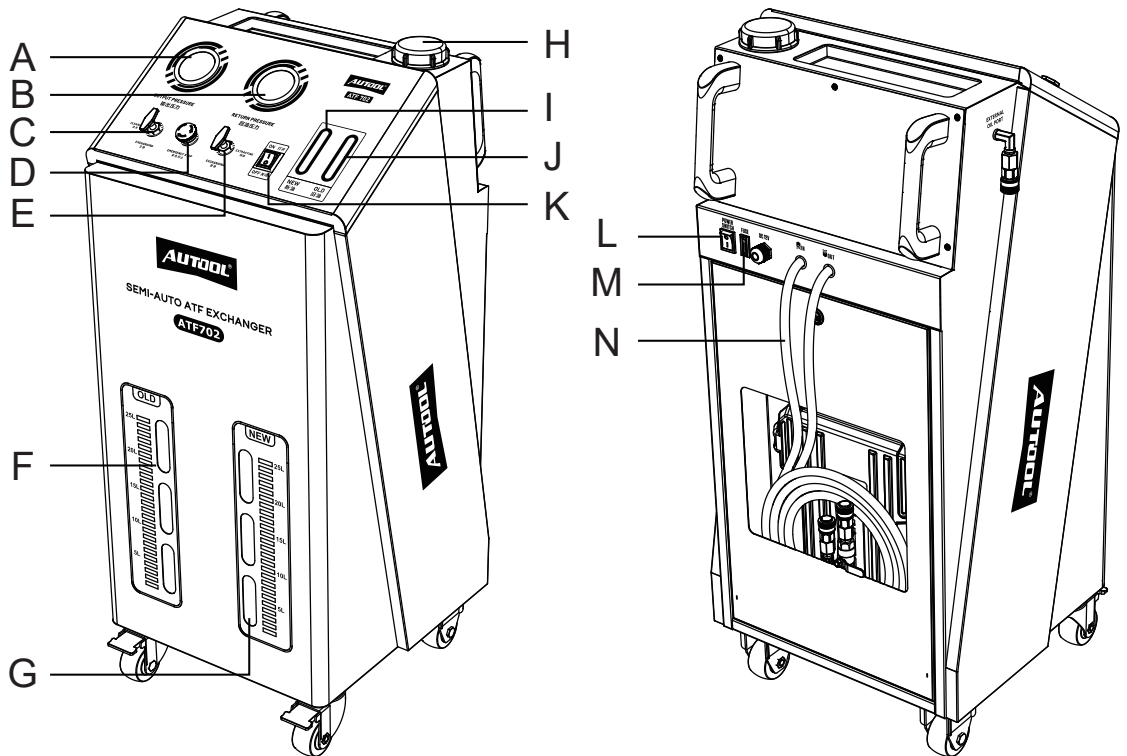
| | |
|--|----------------------------|
| Spannung | DC 12V |
| Maximale Leistung | <150W |
| Druckmessgerät | 10kg/cm² |
| Ablaufschlauch | 2.5m |
| Rücklaufschlauch | 2.5m |
| Öltank | 20L |
| Fehler bei gleichmäßigem Mengenaustausch | <0.2kg |
| Geräuschpegel | <70db |

Merkmale

- Geeignet für Automatikgetriebe in europäischen, amerikanischen und japanischen Fahrzeugen.
- Kann ohne Demontage problemlos Metallspäne und Schlamm im Getriebe entfernen.
- Enthält eine separate Zyklus-Reinigungsfunktion, um die Wartung gründlicher zu gestalten.
- Mobiles Design mit einer vernünftigen Struktur und einfacher Bedienung.
- Verwendet Schnellverbinder, um mit den Rohrleitungen des Getrieberadiators zu verbinden, was eine einfache und schnelle Bedienung ermöglicht.
- Löst effektiv das Problem eines unvollständigen Austauschs der Getriebeflüssigkeit.
- Verbessert die Arbeitsleistung des Getriebes.
- Verlängert die Lebensdauer des Getriebes.

PRODUKTSTRUKTUR

Strukturdiagramm



| | | | |
|----------|-------------------------|----------|------------------------|
| A | Druckmessgerät Ausgang | B | Rücklaufdruckmessgerät |
| C | Schaltventil 1 | D | Not-Aus-Schalter |
| E | Schaltventil 2 | F | Gebrauchtöltankniveau |
| G | Pegel des neuen Öltanks | H | Neue Öleinfuhr |
| I | Fenster für neues Öl | J | Gebrauchtes Ölfenster |
| K | Ein-/Ausschalter | L | Schalter |
| M | Sicherung | N | Verbindungsschlauch |

VORBEREITUNG VOR DER BEDIENUNG

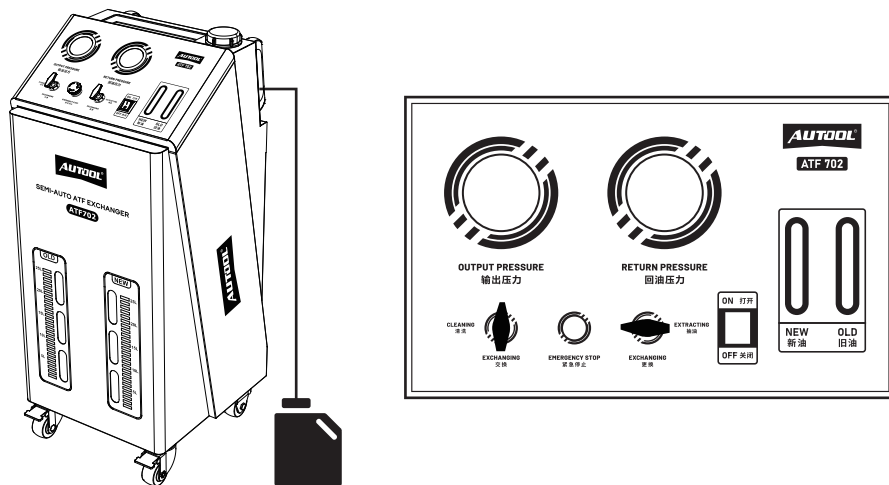
Hinzufügen von Getriebe- flüssigkeit

Methode 1

- Fügen Sie die Getriebeflüssigkeit in die Öleinfuhr des Geräts ein.

Methode 2

- Stecken Sie den transparenten Verbindungsschlauch in einen externen neuen Öltank, drehen Sie das linke Ventil in die Position "Austauschen" und das rechte Ventil in die Position "Extrahieren"; dadurch wird das Öl aus dem externen neuen Öltank abgezogen.



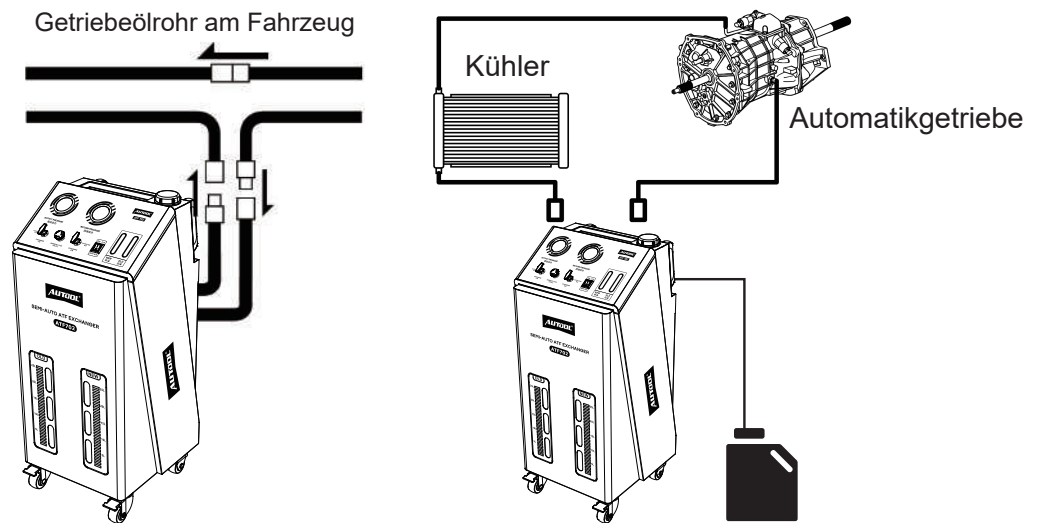
Schließen Sie die Batterieklemmen an die Batterie des Autos an (rote Klemme an den positiven Pol, schwarze Klemme an den negativen Pol), befestigen Sie den transparenten Verbindungsschlauch am Auslassrohr und schalten Sie den Netzschalter ein, bis neues Öl austritt (dieser Schritt kann die Luft im Inneren des Geräts entlüften).

BEDINUNGSSCHRITTE

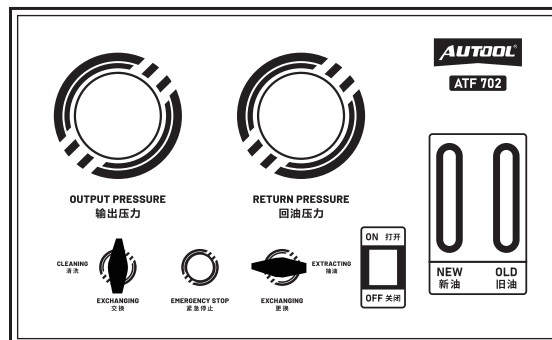
Zyklische Reinigung

- Stellen Sie sicher, dass das Auto in einem gebremsten Zustand ist und heben Sie das Fahrzeug sicher an.
- Finden Sie den Verbindungsoilschlauch zwischen dem Getriebe und dem Kühler und trennen Sie einen, der leicht zu entfernen ist.
- Wählen Sie den entsprechenden Adapter aus der Adapterbox aus und verbinden Sie ihn mit dem Ölschlauch des Geräts (einige Modelle benötigen möglicherweise einen speziellen Anschluss).
- Verbinden Sie das Ölauslassende des Autos mit dem linken "Rücköl" - Anschluss des Geräts und das Öleinlassende des Autos mit dem rechten

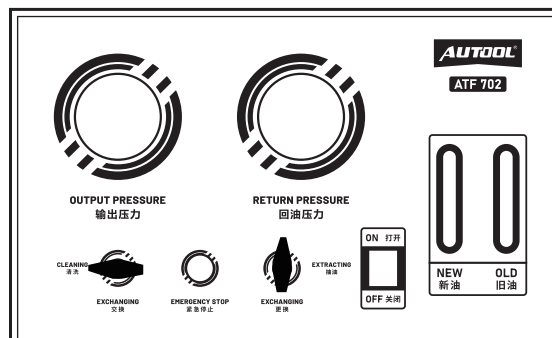
"Abflussöl" -Anschluss des Geräts (Sie können den Motor kurz starten, um die Richtung des Ölauslasses und des Öleinlasses zu bestimmen).



- Verbinden Sie ein Ende des transparenten Verbindungsschlauchs mit der externen Öleinlassöffnung auf der Seite des Geräts und das andere Ende mit dem Reinigungsfluid.
- Drehen Sie das linke Ventil in die Position "Austauschen" und das rechte Ventil in die Position "Extrahieren".

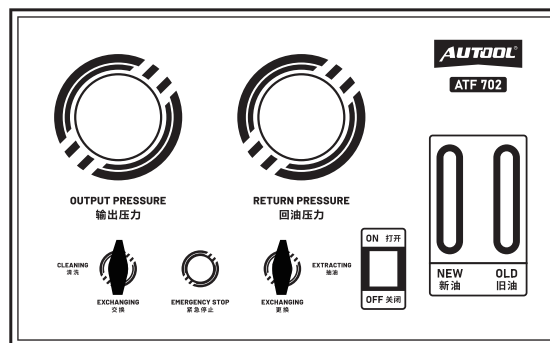


- Schalten Sie den Netzschalter ein; zu diesem Zeitpunkt wird das Reinigungsfluid in das Getriebe gezogen.
- Sobald das Reinigungsfluid vollständig eingespritzt wurde, entfernen Sie den transparenten Kurzschlauch und schalten Sie den Netzschalter aus. Drehen Sie das linke Ventil in die Position "Reinigen" und das rechte Ventil in die Position "Austauschen".



- Starten Sie den Motor des Autos (die Stromversorgung des Geräts muss während der Reinigung nicht eingeschaltet sein). Das Gerät befindet sich jetzt im Zustand der Zyklusreinigung und Sie können den Ölfluss durch die Fenster für neues und gebrauchtes Öl beobachten. Während des Reinigungsprozesses wechseln Sie zwischen jedem Gang und machen Sie Pausen von 5-10 Sekunden, um die Reinigung in 5 Minuten abzuschließen. Danach können Sie den Motor ausschalten.

- ATF-Austausch**
- Drehen Sie das linke Ventil in die Position "Austauschen" und das rechte Ventil in die Position "Austauschen". Schalten Sie den Netzschalter des Geräts ein und beginnen Sie, neues Öl in das Getriebe einzuspritzen. Wenn Öl im neuen Ölfenster fließt, starten Sie den Motor des Autos, und das automatische Getriebe beginnt mit dem Ölwechsel.



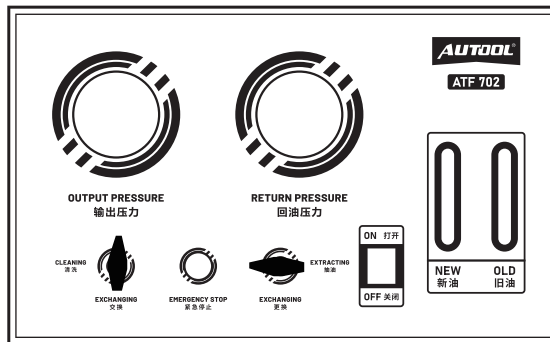
- Während des Ölaustauschprozesses beobachten Sie die Fenster für neues und gebrauchtes Öl. Wenn die Fließgeschwindigkeit des neuen Öls langsamer ist als die des alten Öls, verwenden Sie das Ventil am Rücklaufölschlauch, um den Fluss des alten Öls zu verringern und die Flussraten des neuen und alten Öls auszugleichen.
- Während des Austauschs von neuem und altem Öl sollte jeder Gang 5-10 Sekunden lang gehalten werden.
- Beachten Sie die Farbveränderung im Fenster für altes Öl. Wenn sich die Farbe der Getriebeflüssigkeit im alten Ölfenster von trüb zu derselben Farbe wie das neue Öl ändert, ist der Getriebeölwechsel abgeschlossen.
- Schalten Sie den Motor des Autos aus, stellen Sie die Verbindung des Getriebeölschlauchs wieder her, wie sie war, starten Sie dann den Motor erneut und schalten Sie auf "P" (Park), um den Getriebeflüssigkeitsstand zu überprüfen. Wenn der Flüssigkeitsstand niedrig ist, fügen Sie mehr neues Getriebeöl hinzu und überprüfen Sie auf Lecks in den Rohren. Nachdem der Flüssigkeitsstand ausreichend ist, machen Sie eine Testfahrt von etwa einem Kilometer und überprüfen Sie erneut (sehr wichtig).

! HINWEIS

- ▶ Stellen Sie sicher, dass die Entwässerungsleitung, die Rücklaufleitung und die Automatikgetriebeölleitung korrekt verbunden sind.
- ▶ Überprüfen Sie auf undichte Stellen an den Verbindungen. Falls undichte Stellen vorhanden sind, stoppen Sie das Gerät und installieren Sie sie neu.

Entsorgung von Altöl

- Drehen Sie das linke Ventil in die Position "Austauschen" und das rechte Ventil in die Position "Extrahieren".



- Verbinden Sie ein Ende des transparenten Verbindungsschlauchs mit dem "externen Ölabsauganschluss" der Hauptmaschine und das andere Ende mit dem Rücklaufölschlauch der Maschine.
- Befestigen Sie den geeigneten Anschluss am vorderen Ende des Abflussschlauchs, schalten Sie den Netzschalter ein und das Altöl wird abgelassen.

WARTUNGSSERVICE

Die autool Produkte, die Sie besitzen, bestehen aus langlebigen Materialien und halten sich an den Produktionsprozess der Exzellenz. Jedes Produkt hat 35-Prozesse und 12-Qualitätskontrollen durchlaufen, bevor es die Fabrik verlässt, um sicherzustellen, dass jedes Produkt ausgezeichnete Qualität und Leistung hat. Daher lohnt es sich Ihre regelmäßige Wartung, damit Ihr Autool-Produkt lange stabil arbeitet.

Wartungs

Wartung um die Produktleistung und das Aussehen aufrechtzuerhalten, empfehlen wir Ihnen, die folgenden Produktwartungsrichtlinien sorgfältig zu lesen:

- Achten Sie darauf, das Produkt nicht mit rauen Oberflächen zu reiben oder zu reiben, insbesondere die Blechschale.
- Überprüfen Sie häufig die Teile des Produkts, die befestigt und verbunden werden müssen, und befestigen Sie sie rechtzeitig im Falle von Lockerheit, um den sicheren Betrieb des Produkts zu gewährleisten. Die äußeren und inneren Teile des Produkts, die mit verschiedenen chemischen Medien in Kontakt kommen, müssen einer Korrosionsschutzbehandlung wie Entrosten und Lackieren unterzogen werden, um die Korrosionsbeständigkeit des Produkts zu verbessern und die Lebensdauer des Produkts zu verlängern.
- Beachten Sie die Sicherheitsbetriebsverfahren, überlasten Sie das Produkt nicht, die Sicherheitsschutzeinrichtungen des Produkts sind vollständig und zuverlässig, und die unsicheren Faktoren werden rechtzeitig beseitigt. Der Kreislauf ist gründlich zu inspizieren und die alternden Drähte rechtzeitig zu ersetzen.
- Reinigen und ersetzen Sie die Ölpumpe, den Ölfilter und andere Verbrauchsmaterialien regelmäßig; Vermeiden Sie beim Einstellen des Passspiels verschiedener Teile und beim Austausch verschlissener (beschädigter) Teile den Kontakt des Produkts mit korrosiven Flüssigkeitsobjekten.
- Lagern Sie das Produkt bei Nichtgebrauch an einem trockenen Ort. Lagern Sie das Produkt nicht an einem heißen, feuchten oder unbelüfteten Ort.

GARANTIE

Die AUTOOL-Maschine hat Anspruch auf eine 3-jährige Garantie ab dem Tag des Eingangs beim Kunden. Das darin enthaltene Zubehör hat eine einjährige Gewährleistungsfrist ab dem Tag des Eingangs beim Kunden.

Garantie- methode

- Reparieren oder ersetzen Sie das Produkt kostenlos entsprechend den spezifischen Fehlerbedingungen.
- Wir garantieren, dass alle ersetzten Teile, Zubehör oder Produkte brandneu sind.
- Wenn das Produkt innerhalb von 90 Tagen ausfällt, nachdem der Kunde das Produkt erhalten hat, stellen wir Video und Bilder zur Verfügung. Wenn das Produkt länger als 90-Tage erhalten wird, trägt der Kunde die entsprechenden Kosten, und wir stellen dem Kunden Ersatzteile zum kostenlosen Austausch zur Verfügung.

Die folgenden Bedingungen sind nicht von der kostenlosen Garantie abgedeckt

- Kauf von AUTOOL-Produkten über informelle Kanäle.
 - Schäden, die durch Verwendung und Wartung verursacht werden, die nicht den Anforderungen des Produkthandbuchs entsprechen.
-

Bei AUTOOL sind wir stolz auf unser exquisites Design und exzellenten Service. Gerne stellen wir Ihnen weitere Unterstützung oder Dienstleistungen zur Verfügung.

Haftungsaus- schluss

Alle in dieser Bedienungsanleitung enthaltenen Informationen, Abbildungen und technischen Daten beruhen auf den zum Zeitpunkt der Veröffentlichung verfügbaren neuesten Informationen. Der Hersteller behält sich das Recht vor, diese Bedienungsanleitung und das Gerät selbst ohne vorherige Ankündigung zu ändern.

RÜCKGABE-UND UMTAUSCHSERVICE

Rückkehr

- Wenn Sie mit den von der autorisierten Online-Shopping-Plattform und den autorisierten Offline-Händlern gekauften AUTOOL-Produkten nicht zufrieden sind, können Sie die Produkte innerhalb von sieben Tagen nach Erhalt gemäß den globalen AUTOOL - Verkaufsbedingungen zurücksenden. Oder tauschen Sie andere gleichwertige Produkte innerhalb von 30 Tagen ab dem Datum der Produktlieferung um.
- Die zurückgegebenen und umgetauschten Produkte müssen sich in einem vollständig marktfähigen Zustand befinden und den entsprechenden Verkaufsaufträgen, allen relevanten Zubehörteilen und Papierrechnungen (falls vorhanden) beigefügt werden.
- AUTOOL prüft die zurückgegebenen Waren, um sicherzustellen, dass sie in gutem Zustand sind und die Bedingungen erfüllen. Einzelheiten zu den Bedingungen entnehmen Sie bitte den globalen Verkaufsbedingungen von AUTOOL. Alle Artikel, die die Inspektion nicht bestehen, werden an Sie zurückgeschickt und Sie erhalten keine Rückerstattung.
- Sie können Produkte über das Kundendienstzentrum oder autorisierte AUTOOL-Händler austauschen. Das Prinzip der Rückgabe und des Umtauschs besteht darin, Waren zurückzugeben und auszutauschen, wo sie gekauft wurden. Sollten Sie Schwierigkeiten oder Hindernisse bei der Rücksendung oder dem Umtausch von Waren haben, wenden Sie sich bitte an das AUTOOL- Kundendienstzentrum. Bei Rücksendung oder Umtausch von Waren über das Kundendienstzentrum empfehlen wir Ihnen, dies auf folgende Weise zu tun.

| | |
|----------------------------------|---|
| Aufruf für Chinagebiet | 400-032-0988 |
| Aufruf für Überseegebiete | +86 0755 23304822 |
| E-mail | aftersale@autooltech.com |
| Facebook | https://www.facebook.com/autool.vip |
| YouTube | https://www.youtube.com/c/autooltech |

- Wenn Ihre Rückgabe- und Umtauschservice bestätigt wird, erhalten Sie eine Bestätigungsnachricht und E-Mail.

EU-KONFORMITÄTSERKLÄRUNG

Wir als Hersteller erklären, dass das bezeichnete Produkt:
Auto ATF-Austauscher (Modell ATF 702)

Entspricht den Anforderungen der:

CE-MD Richtlinie 2006/42/EC

RoHS Richtlinie 2011/65/EU + 2015/863 + 2017/2102

Angewandte Normen:

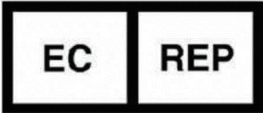
EN 60204-1:2018, EN ISO 12100:2010

IEC 62321-3-1:2013, IEC 62321-5:2013, IEC 62321-4:2013+A1:2017, IEC 62321-7-1:2015, IEC 62321-7-2:2017, IEC 62321-1:2013, IEC 62321-6:2015, IEC 62321-8:2017

Zertifikatsnummer: ZHT-230207010C, ZHT-230207011C

Prüfbericht-Nr.: ZHT-230207010S, ZHT-230207011R



| | |
|---|---|
| Hersteller | Shenzhen AUTOOL Technology Co., Ltd. |
| | Stock, Werkstatt 2, Hezhou Anle Industrial Park, Gemeinde Hezhou, Hangcheng Straße, Bao'an Bezirk, Shenzhen, China E-Mail: aftersale@autooltech.com |
|  | COMPANY NAME: XDH Tech |
| | ADRESS: 2 Rue Coysevox Bureau 3, Lyon, France E-Mail: xdh.tech@outlook.com CONTACT PERSON: Dinghao Xue |