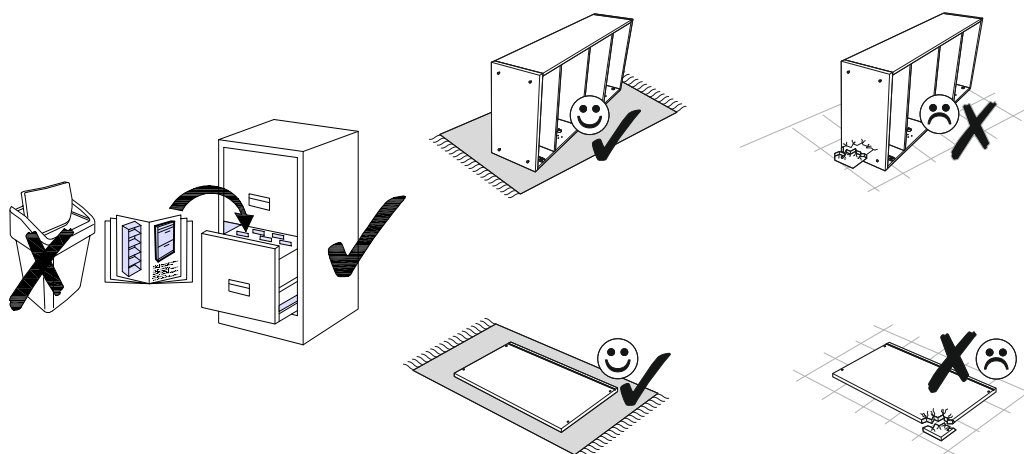
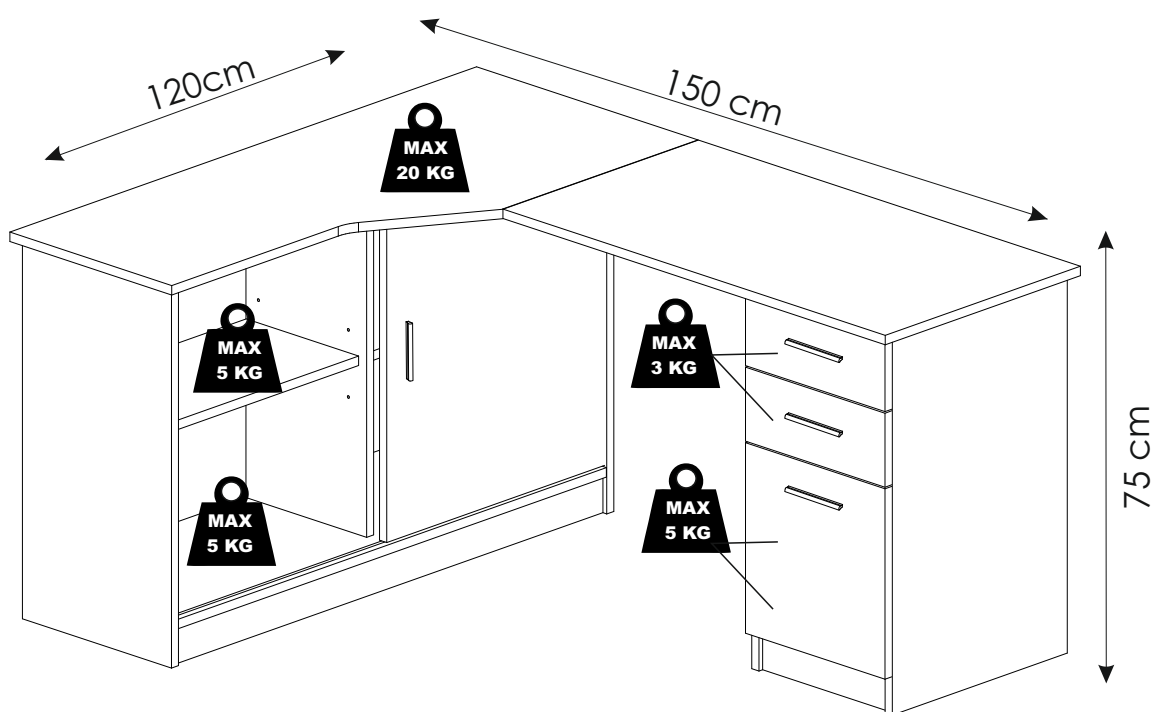
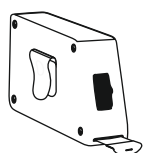
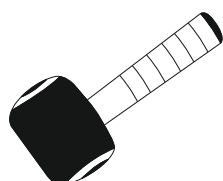
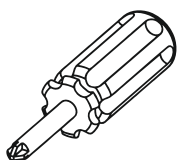
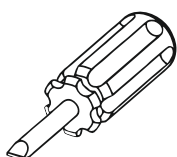
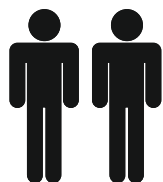
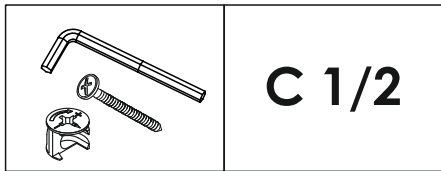
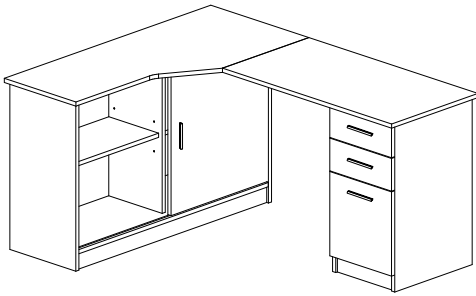




Modell: **ROBERT**

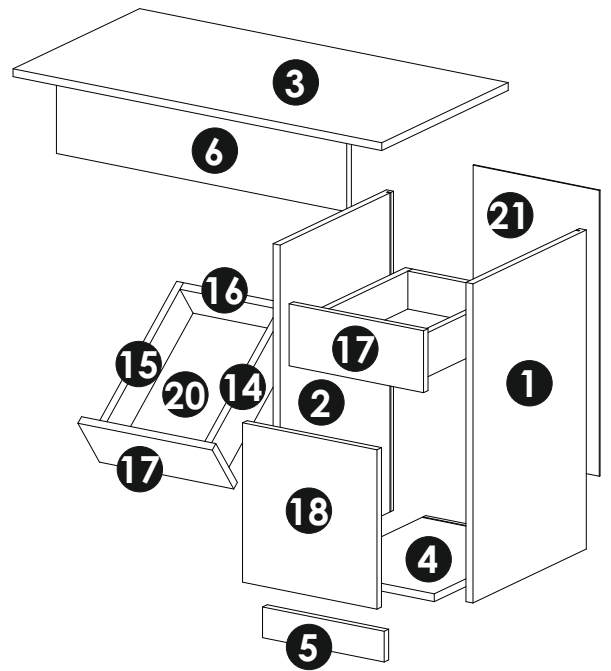
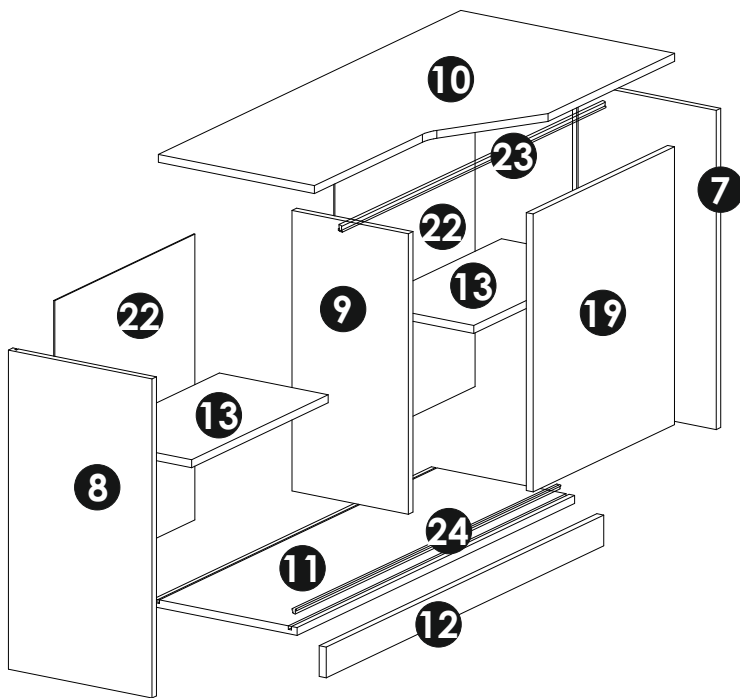
Art. Nr.: **11700034/01**



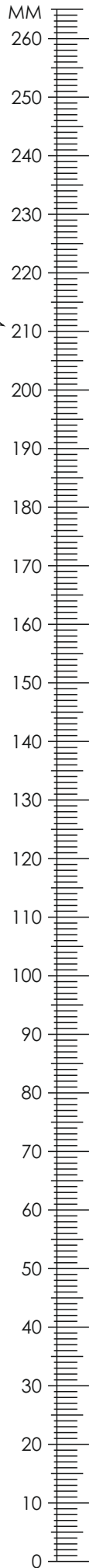
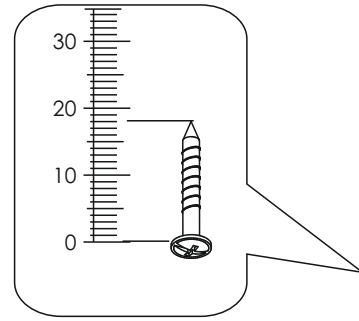
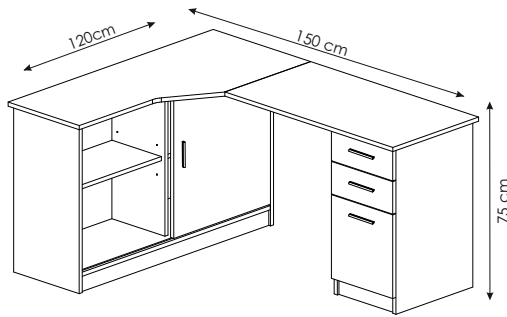


1	727	450	18	x1	1/2
2	727	450	18	x1	1/2
3	950	500	18	x1	2/2
4	314	449	18	x1	1/2
5	314	70	18	x1	1/2
6	750	200	18	x1	2/2
7	727	370	18	x1	1/2
8	727	370	18	x1	1/2
9	639	300	18	x1	2/2
10	550	1200	18	x1	2/2
11	1104	369	18	x1	2/2
12	1104	70	18	x1	2/2

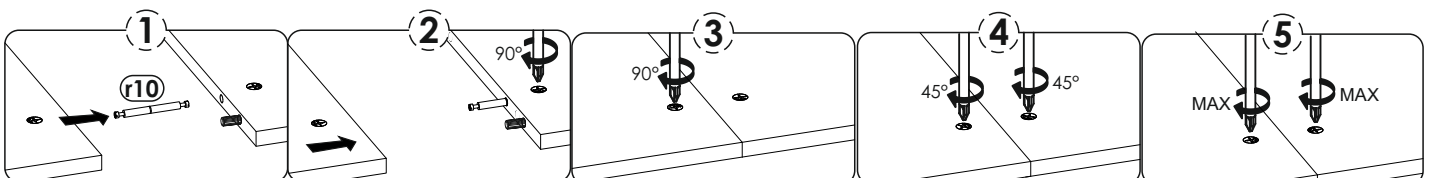
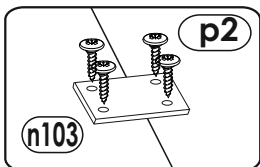
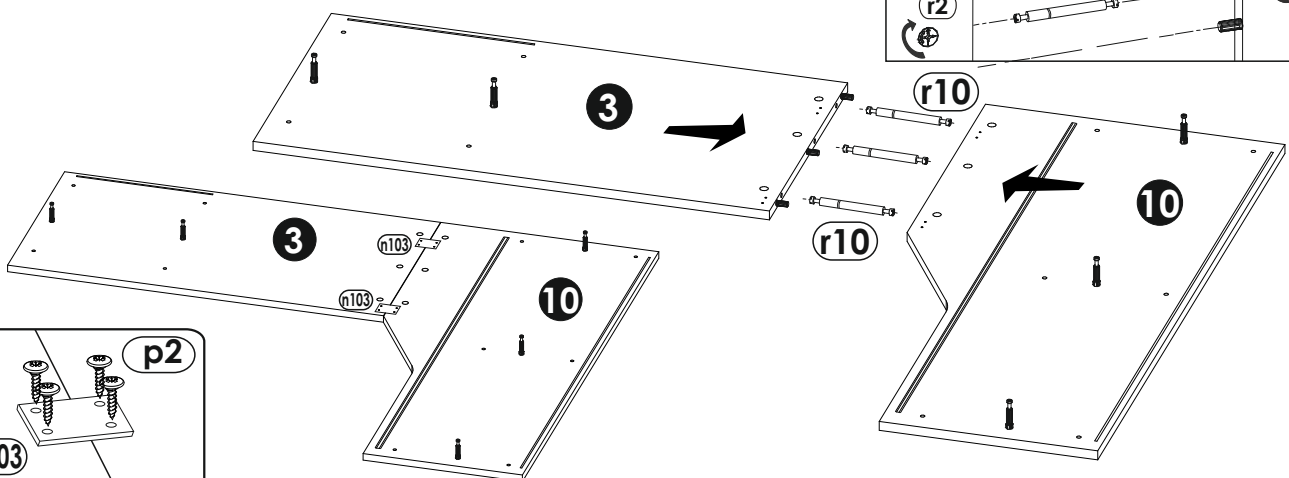
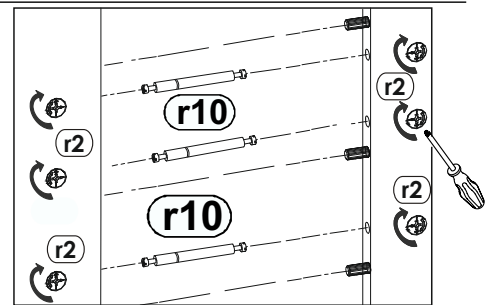
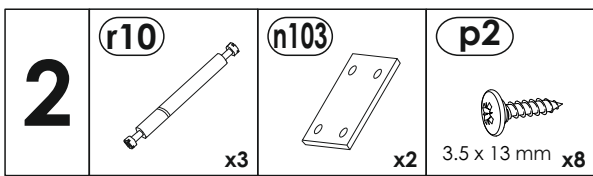
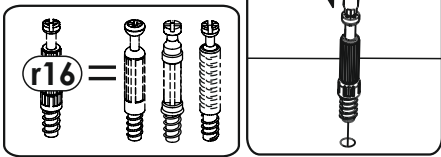
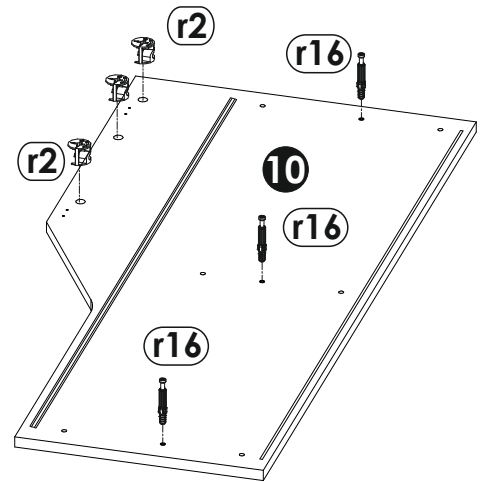
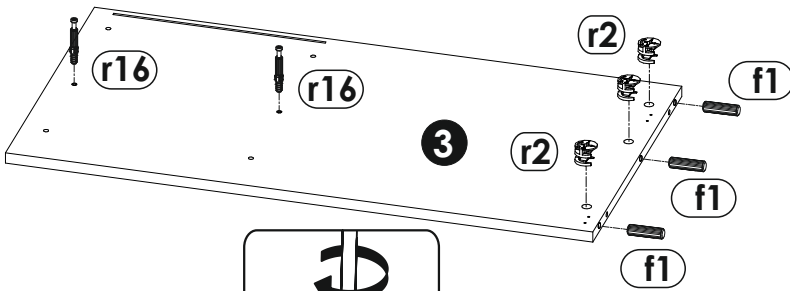
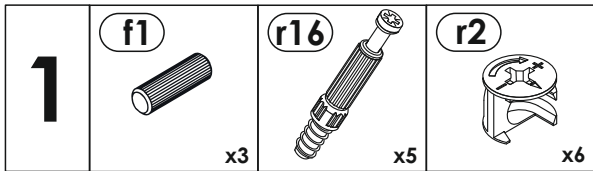
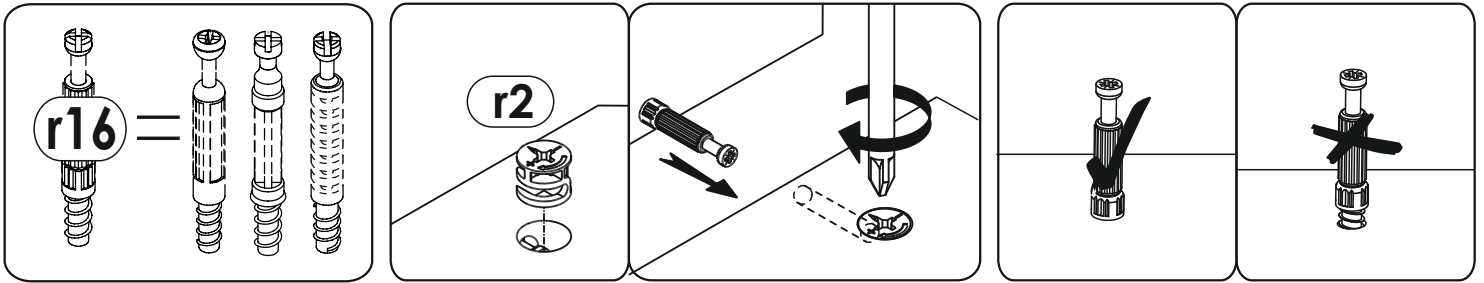
13	543	280	18	x2	1/2
14	400	100	18	x2	1/2
15	400	100	18	x2	1/2
16	253	100	18	x2	1/2
17	346	140	18	x2	2/2
18	362	346	18	x1	2/2
19	632	561	18	x1	2/2
20	263	392	3	x2	2/2
21	651	326	3	x1	2/2
22	651	557	3	x2	2/2
23	1104			x1	1/2
24	1104			x1	1/2

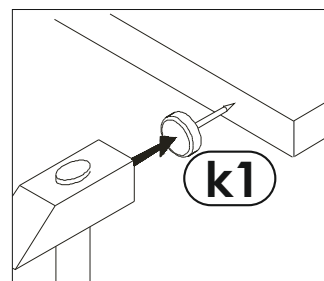
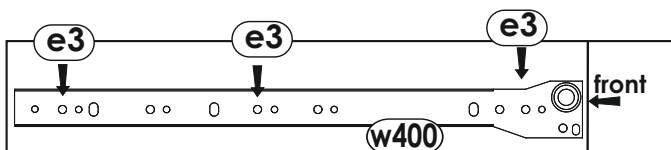
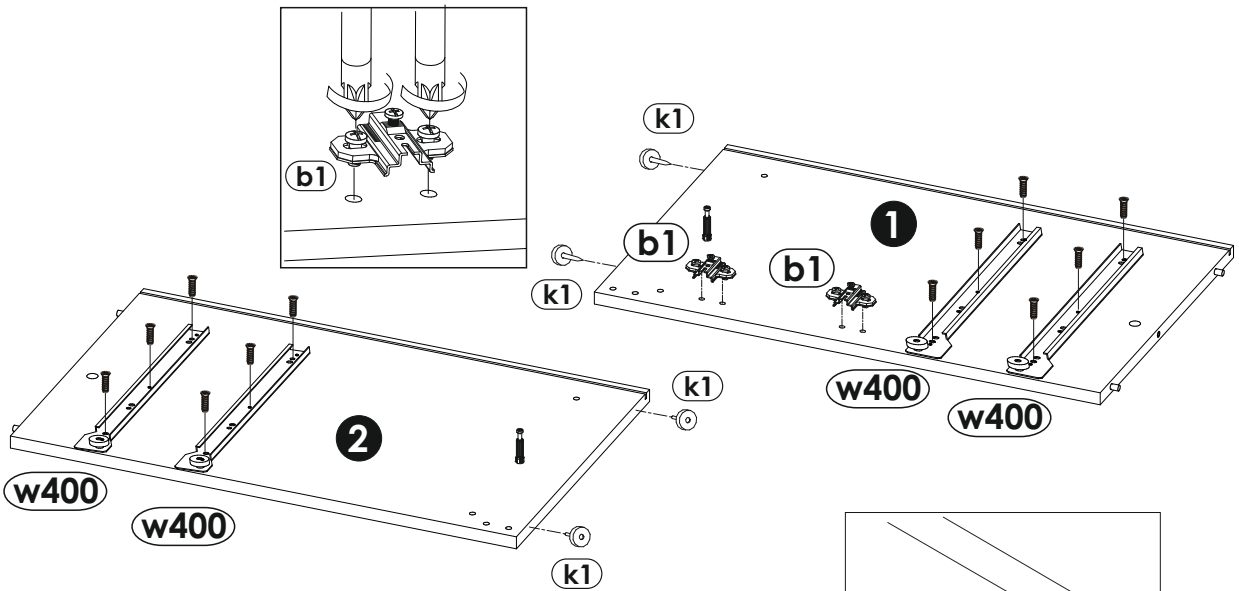
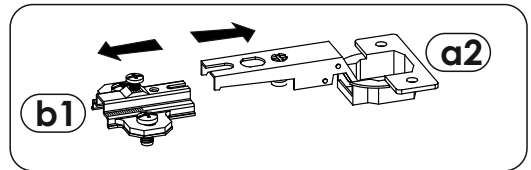
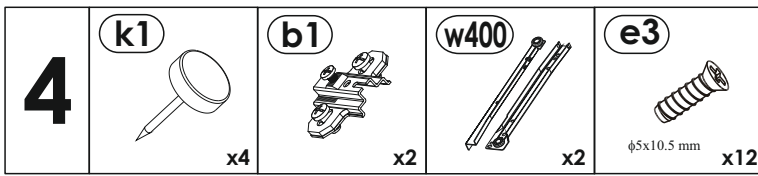
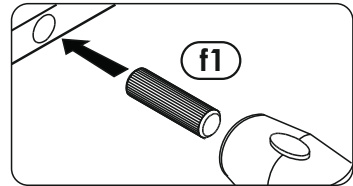
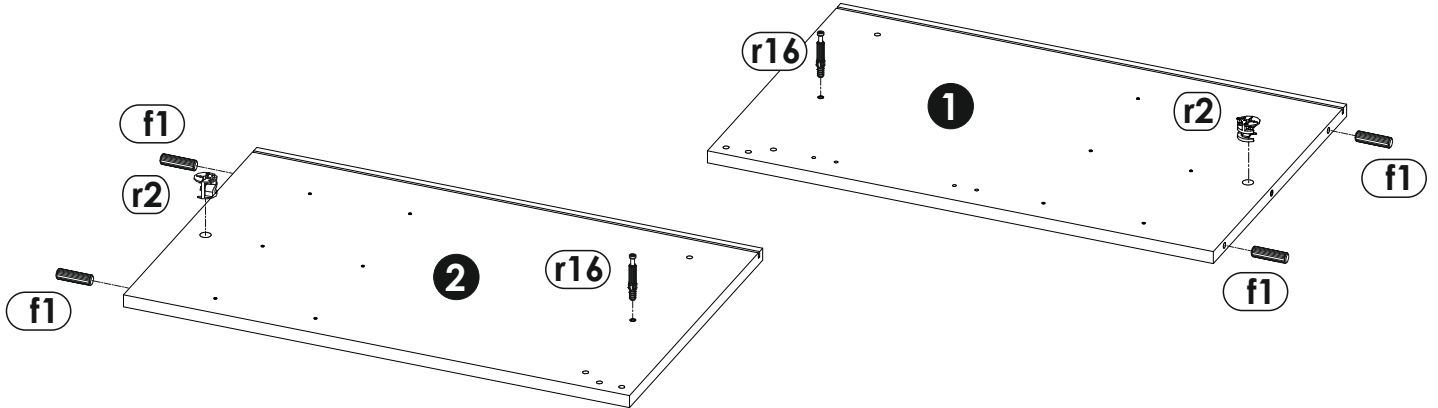
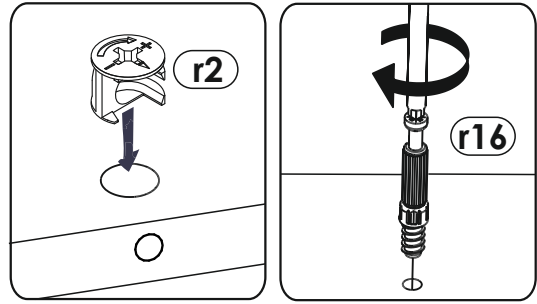
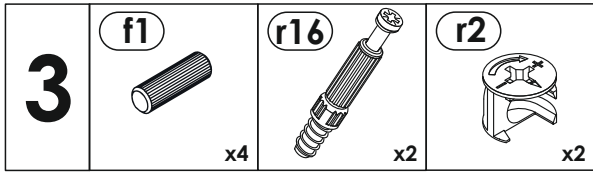


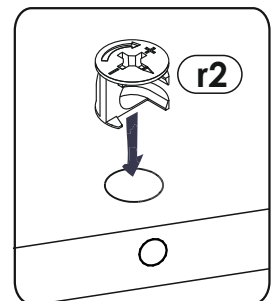
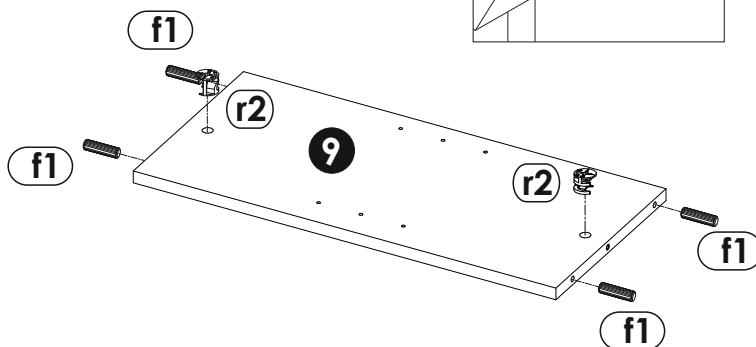
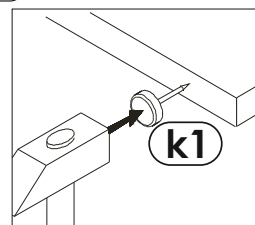
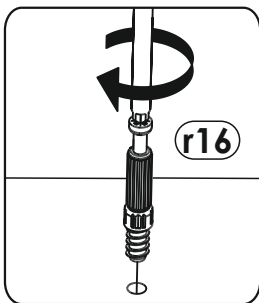
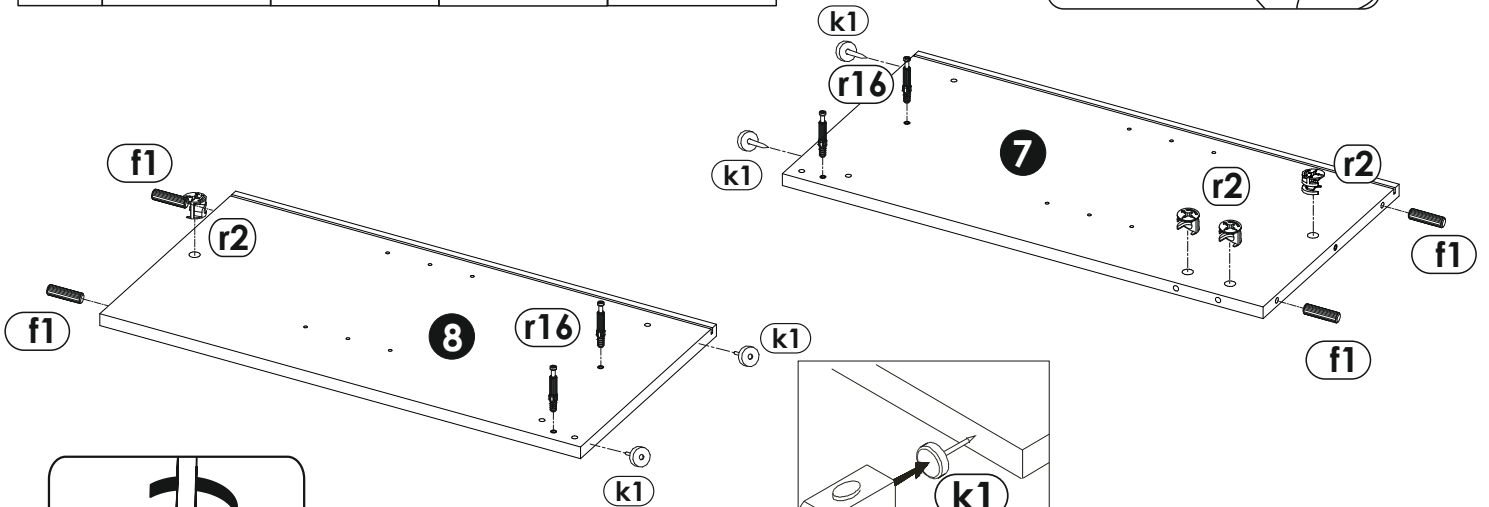
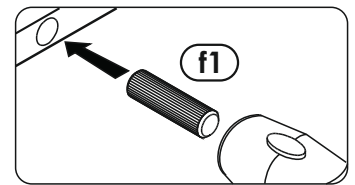
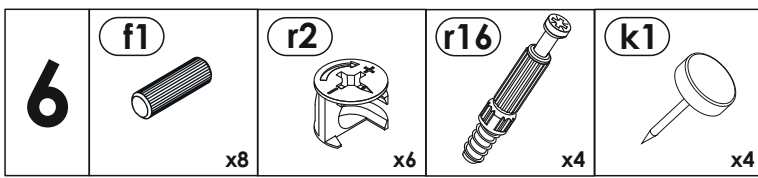
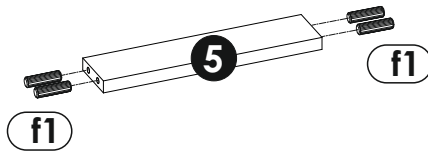
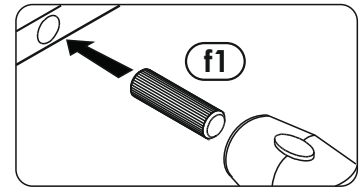
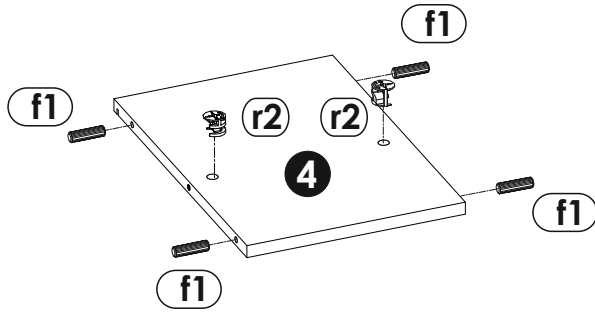
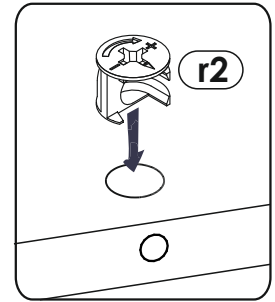
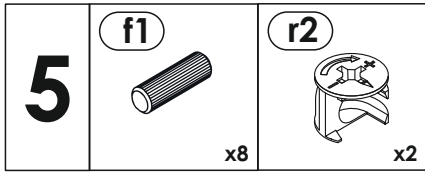
# ROBERT

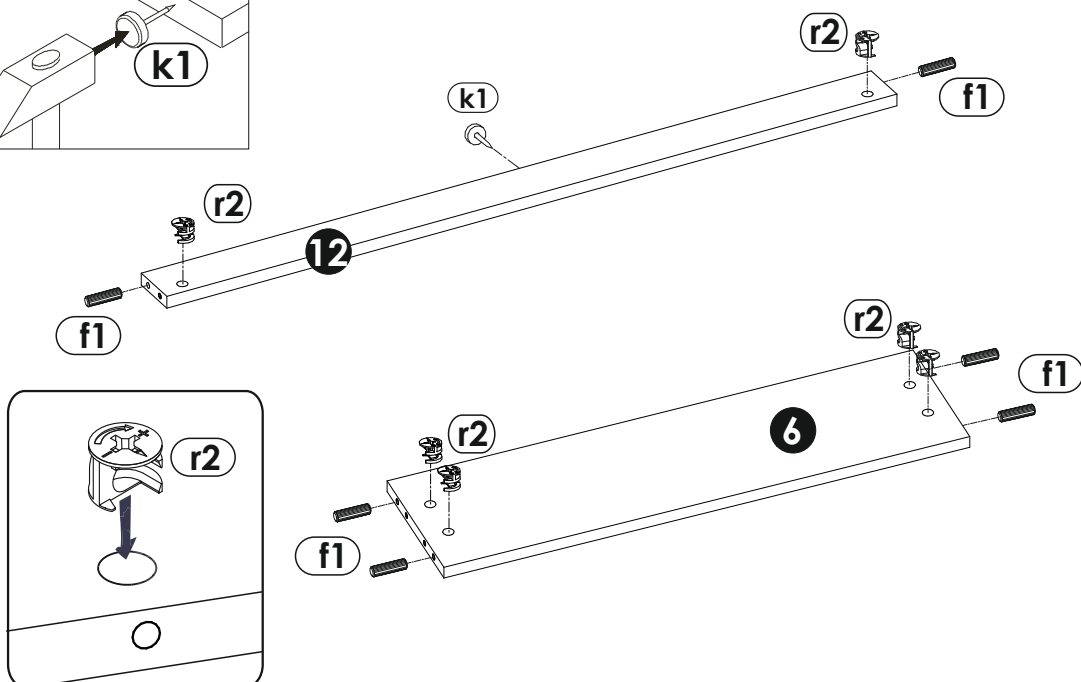
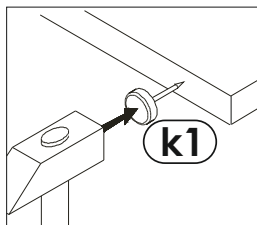
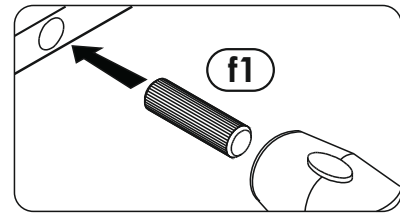
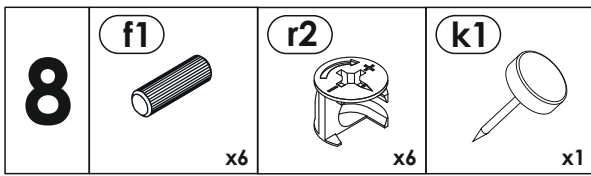
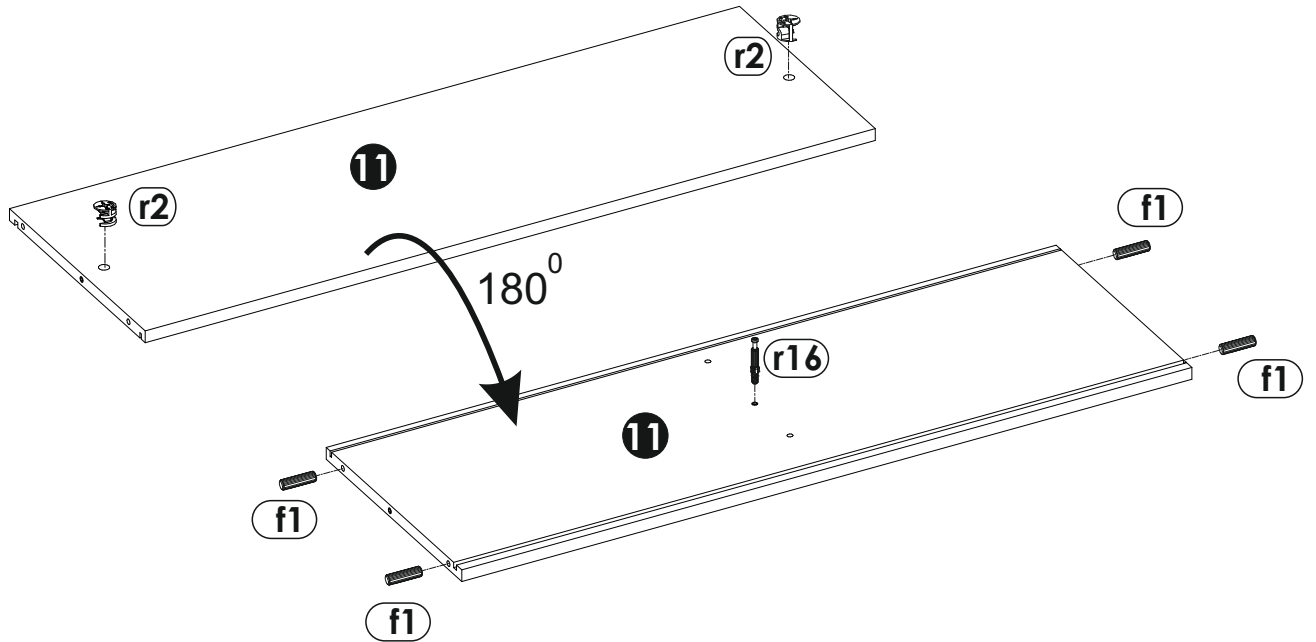
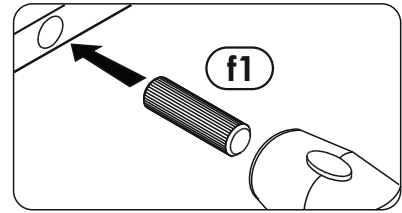
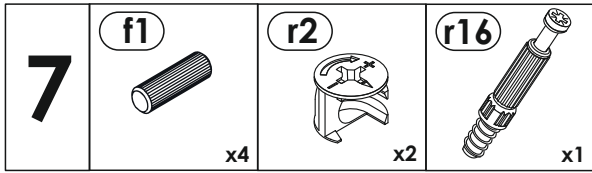


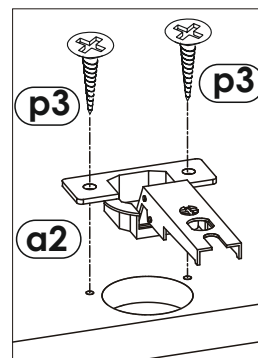
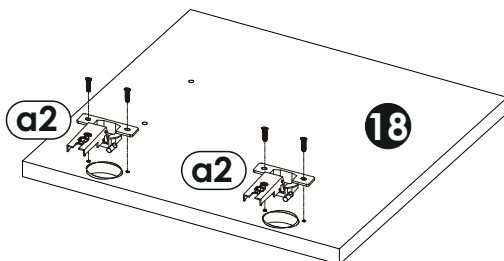
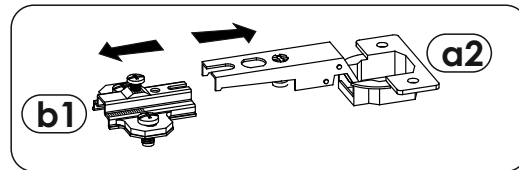
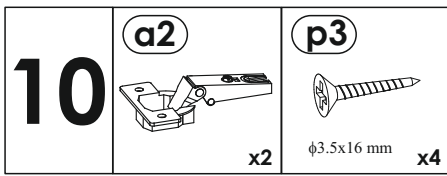
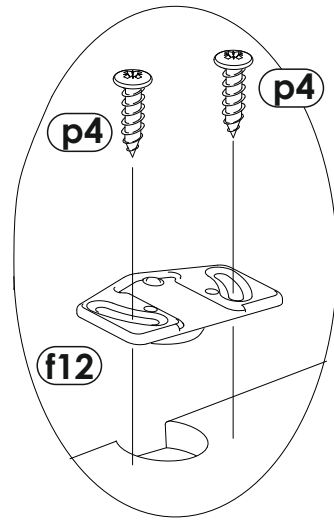
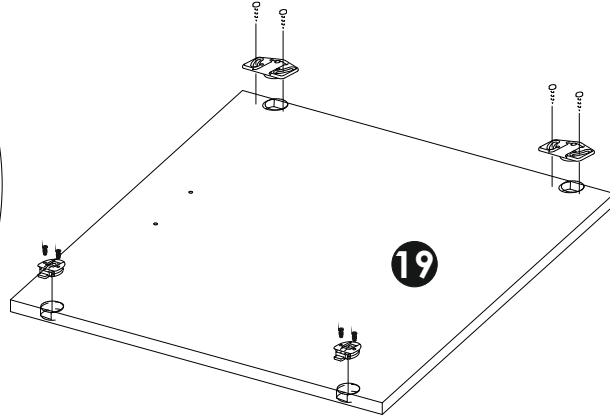
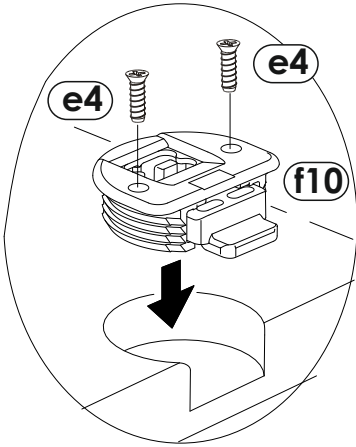
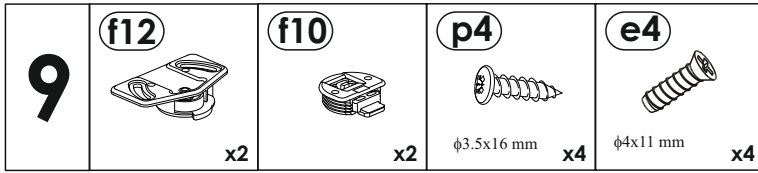
<b>A</b>	<b>r10</b> 6 X 60 mm x5	<b>r16</b> 6 x 34 mm x18	<b>r2</b> 15 x 14 mm x28
	<b>z1</b> x1	<b>p8</b> 4 x 30 mm x8	
<b>B</b>	<b>p2</b> 3.5 x 13 mm x8	<b>f1</b> 8 x 32 mm x49	<b>k1</b> x9
	<b>d1</b> $\phi$ 5x17 mm x8	<b>e1</b> 6.3 x 50 mm x4	
<b>C</b>	<b>p3</b> 3.5 X 16 mm x16	<b>e4</b> $\phi$ 4x11 mm x4	<b>s2</b> x14
	<b>d6</b> x12	<b>i9</b> x2	
<b>D</b>	<b>f10</b> x2	<b>f12</b> x2	<b>s1</b> x4
	<b>p4</b> 3.5 x 16 mm x6	<b>e3</b> 5 x 10.5 mm x12	<b>n103</b> 51 x 34 mm x2
<b>c234</b> x4	<b>w400</b> L400 mm x2	<b>b1+a2</b> x2	



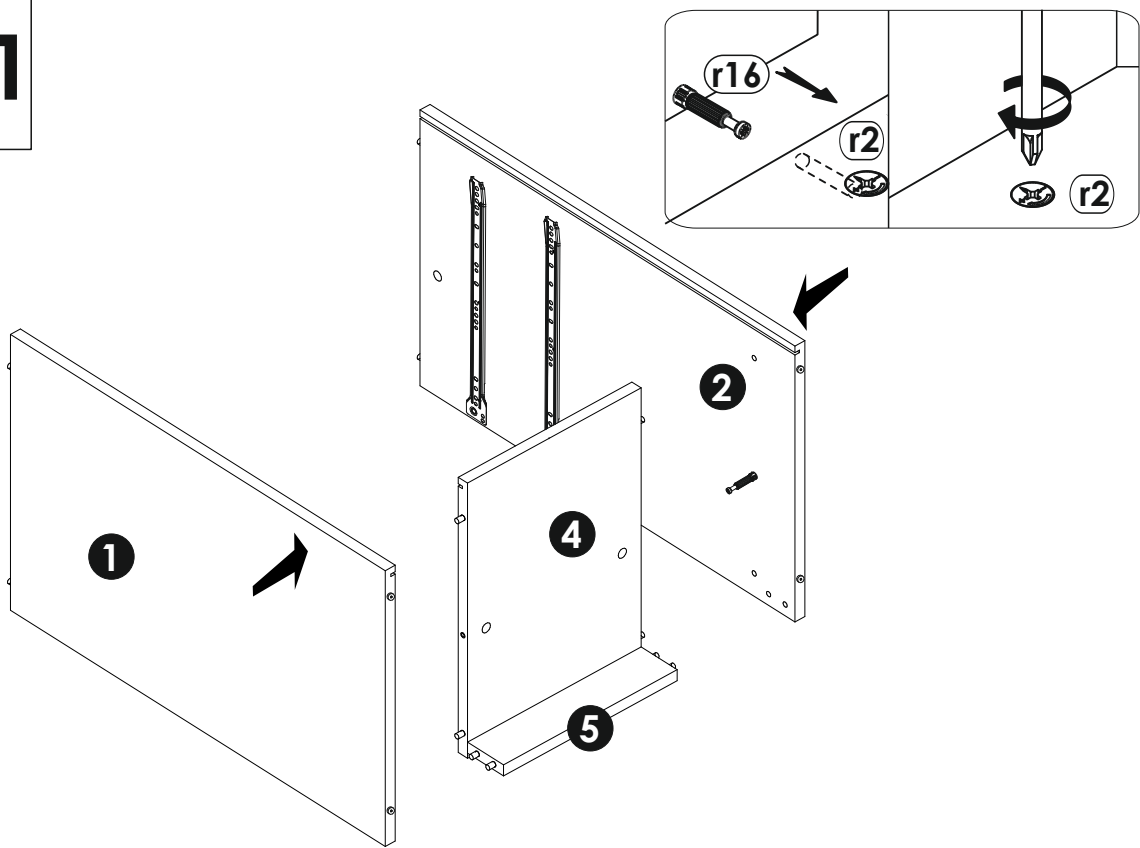




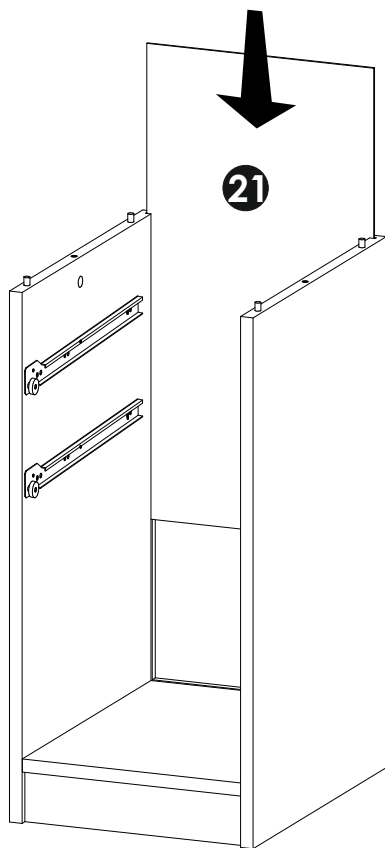




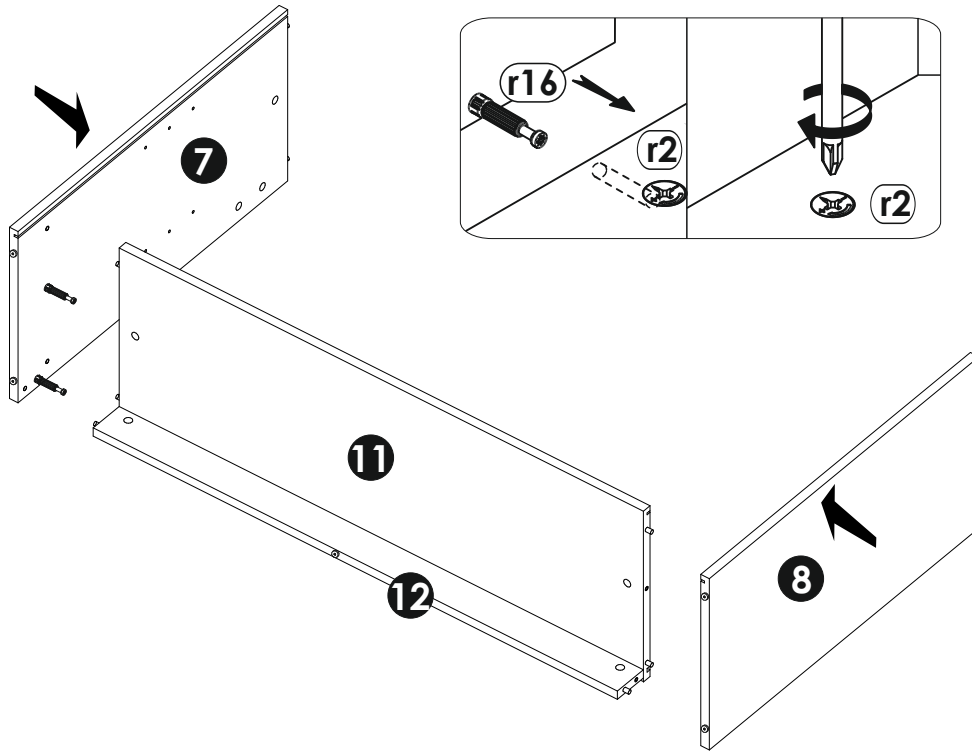
11



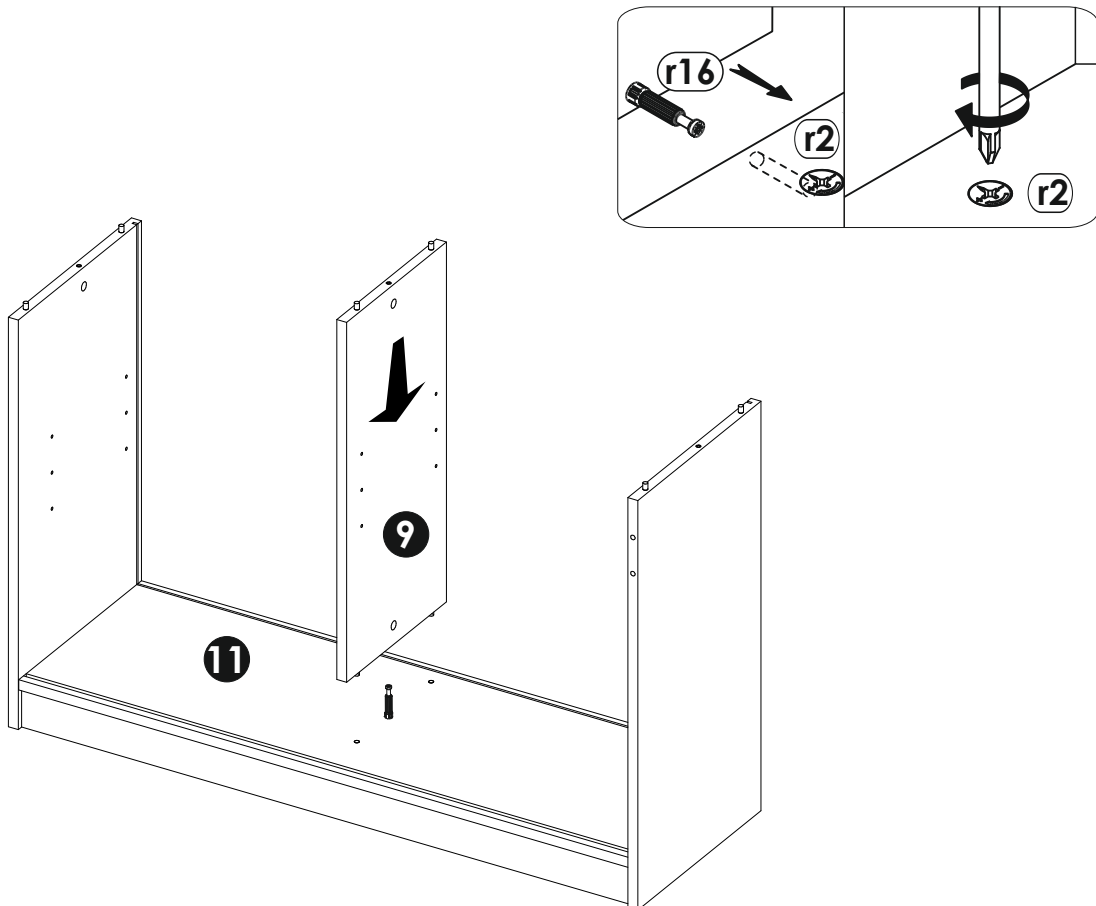
12



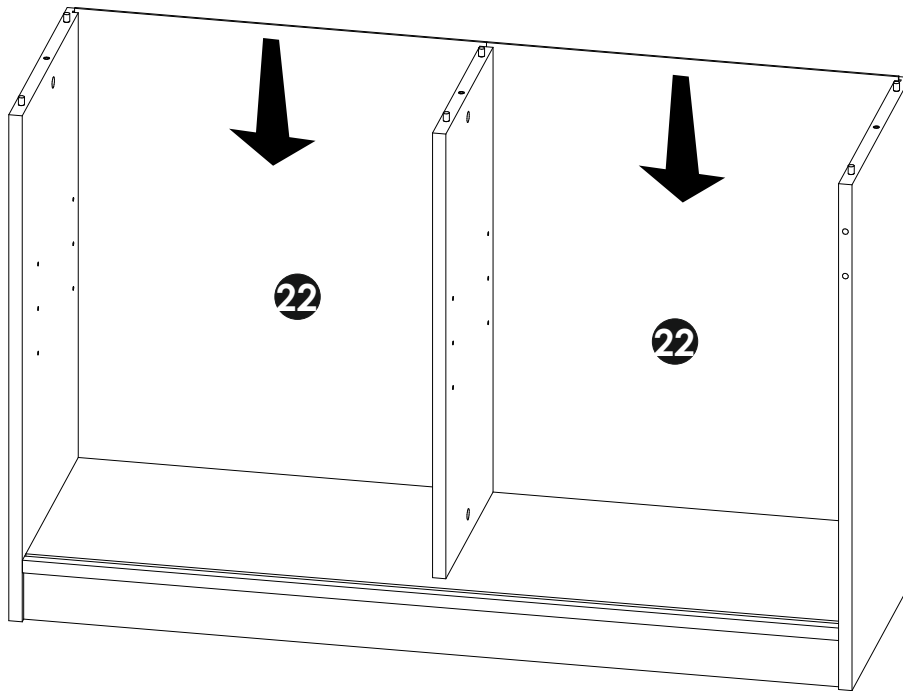
13



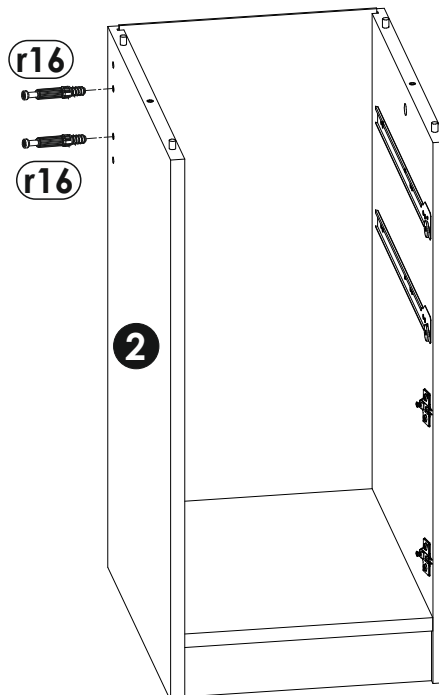
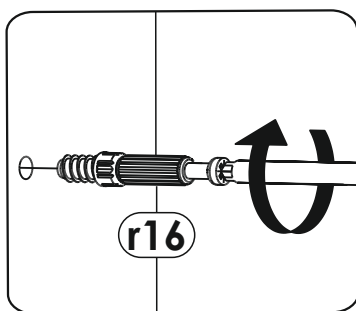
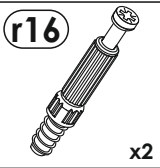
14

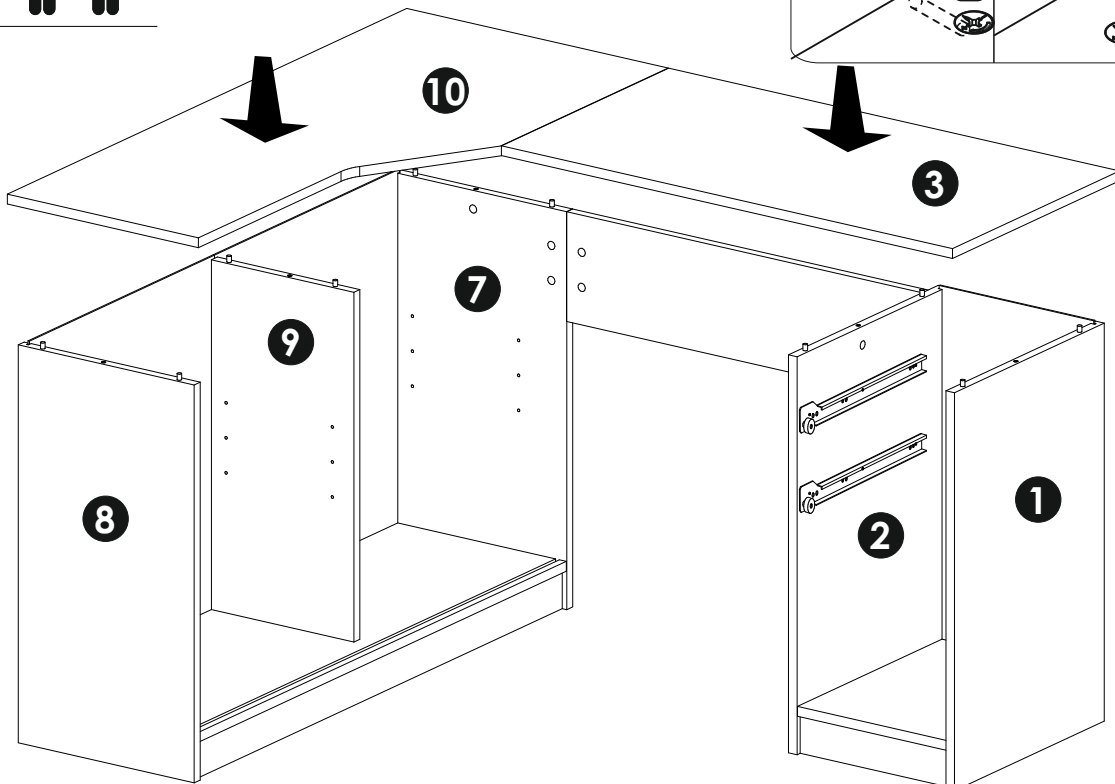
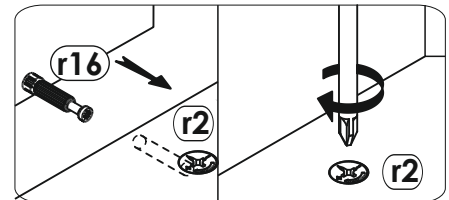
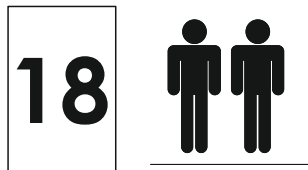
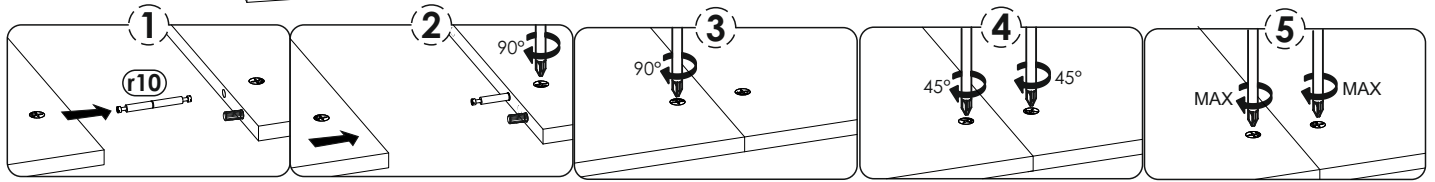
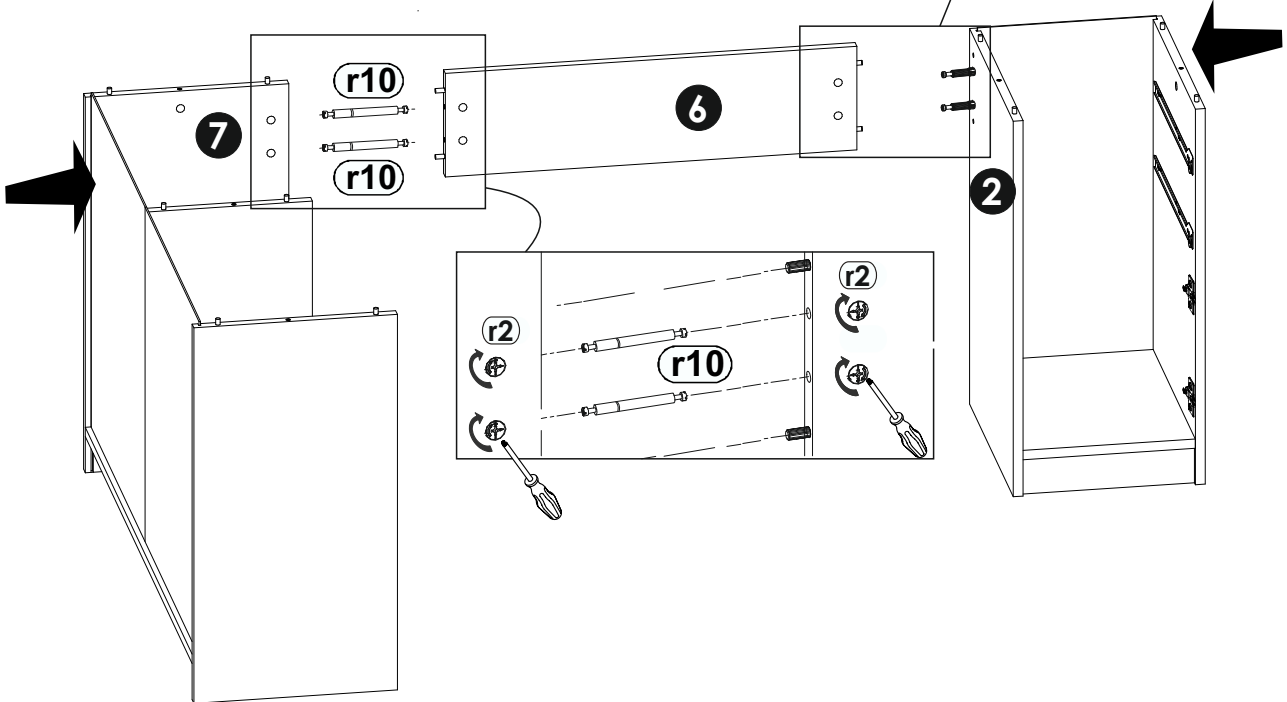
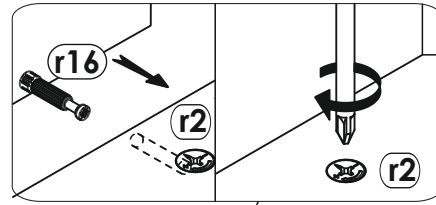
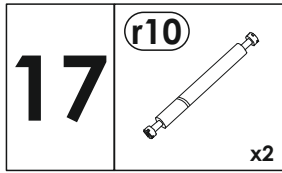


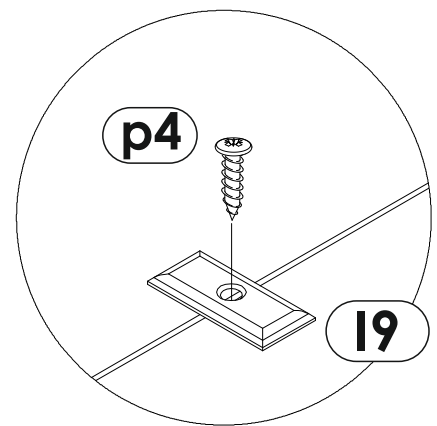
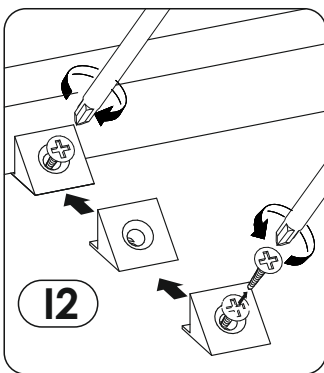
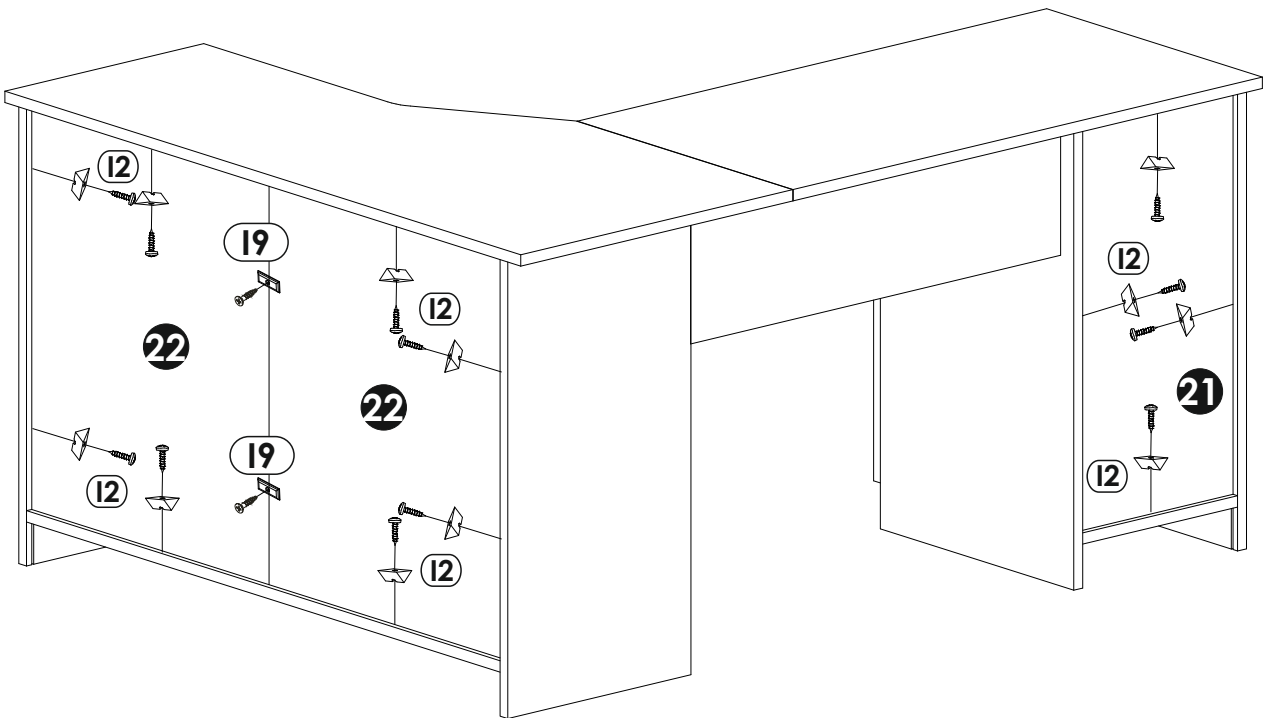
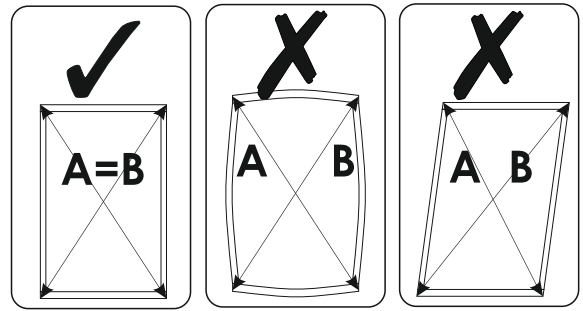
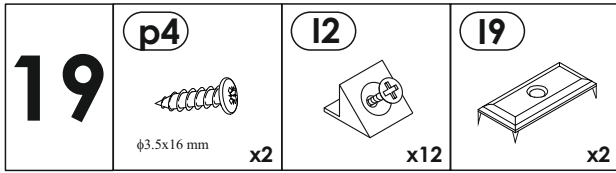
15

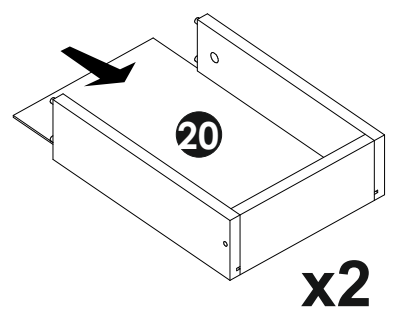
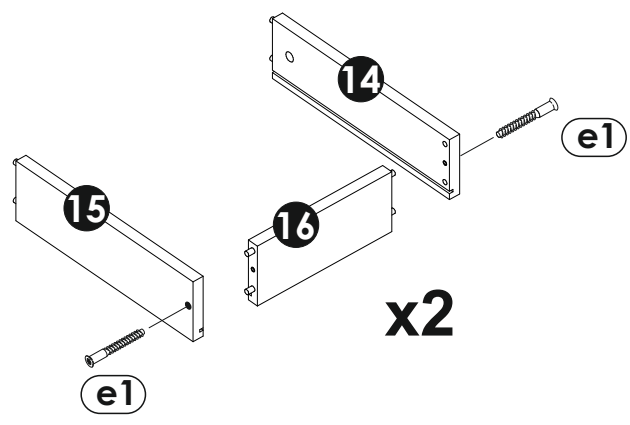
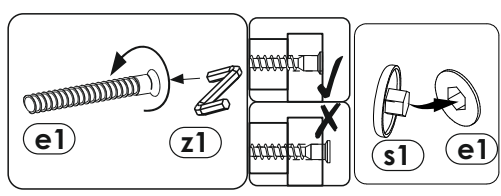
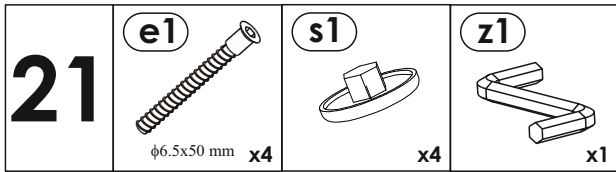
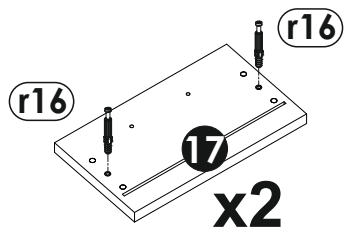
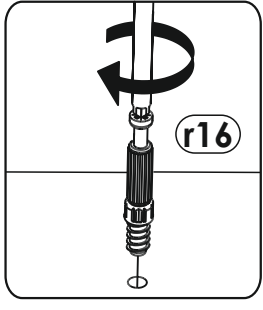
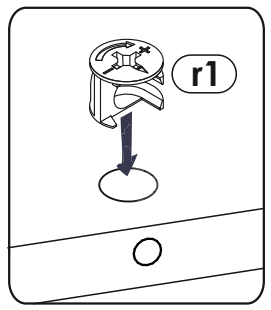
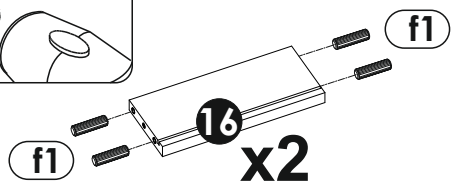
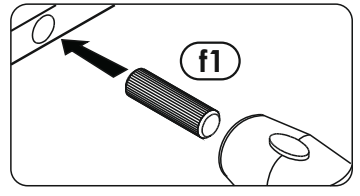
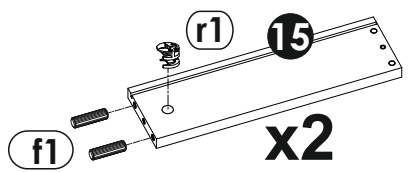
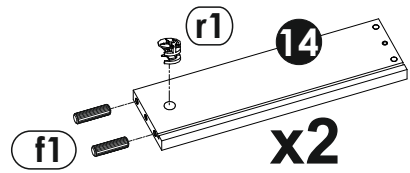
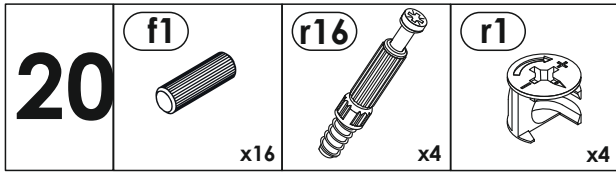


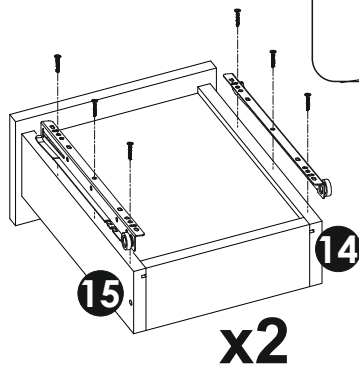
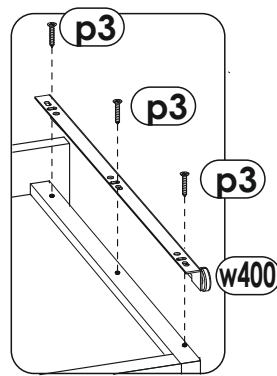
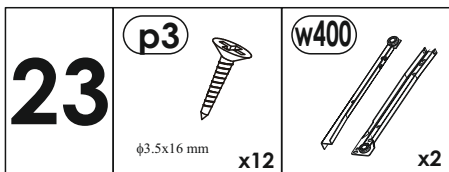
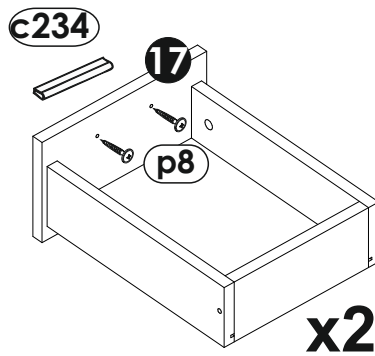
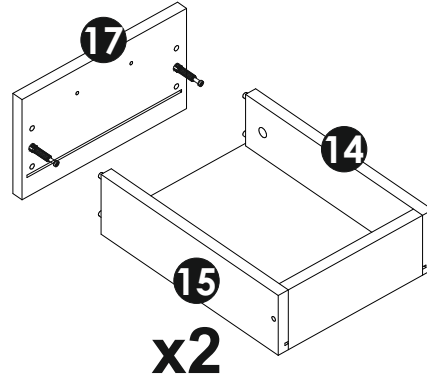
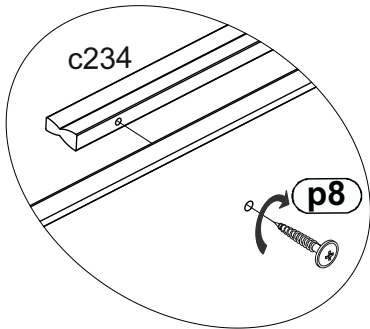
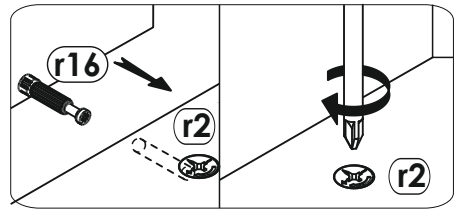
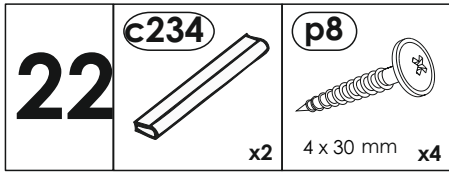
16

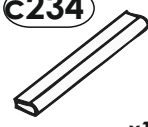

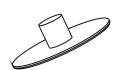


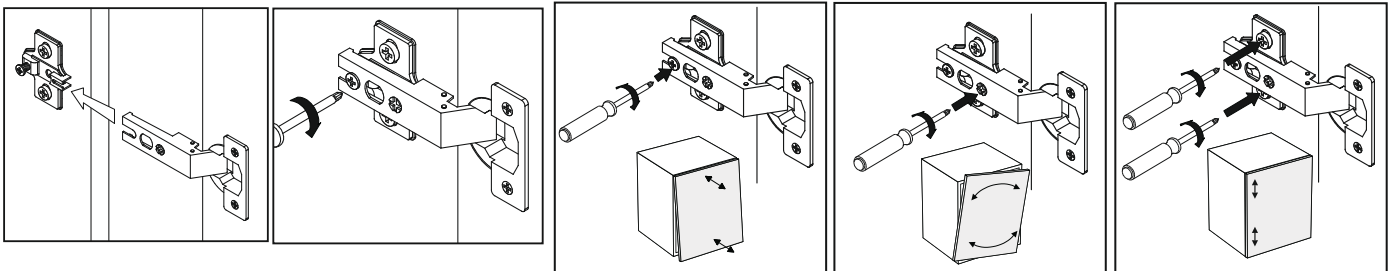
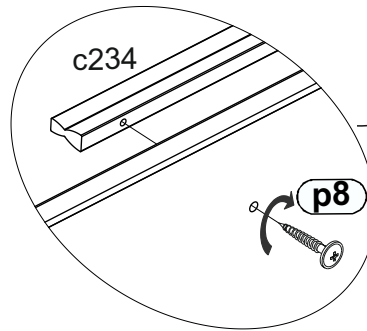
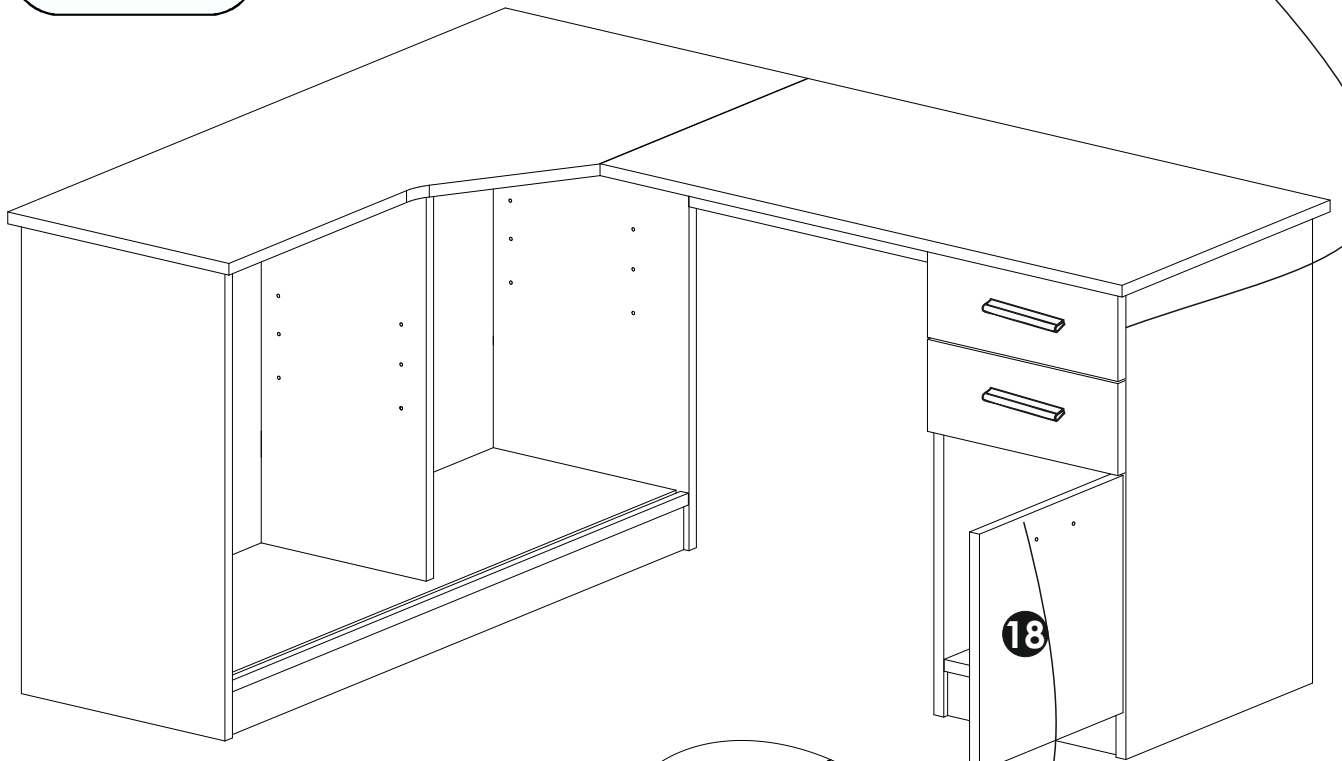
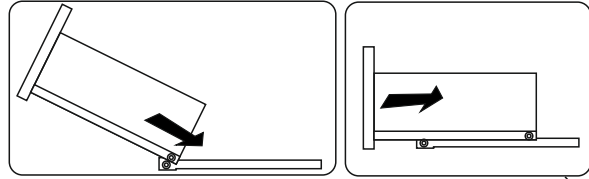
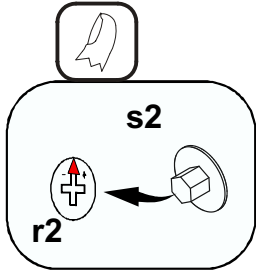


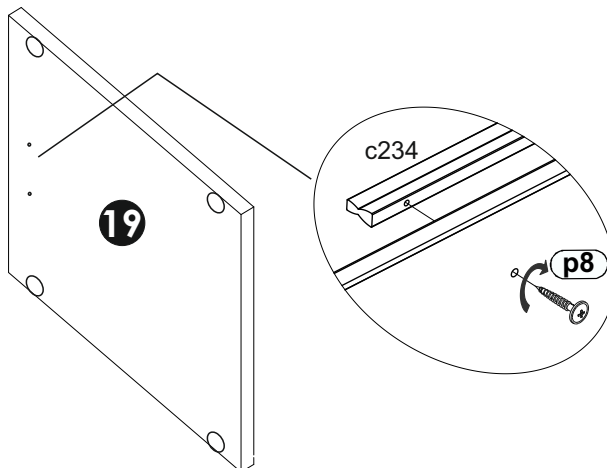
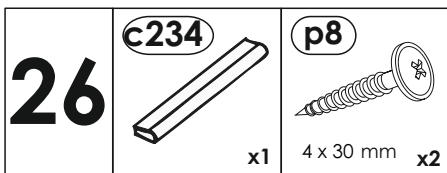
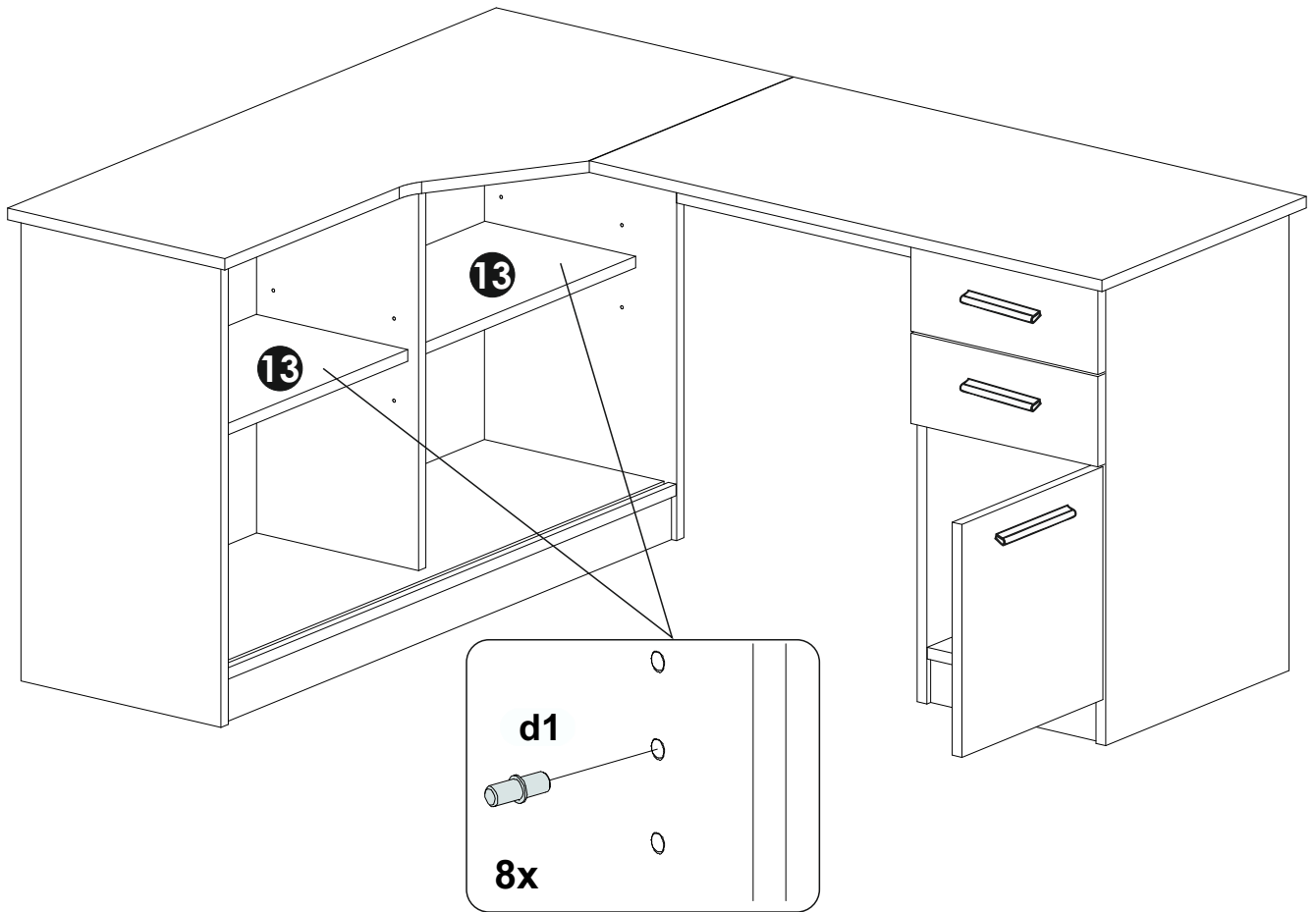
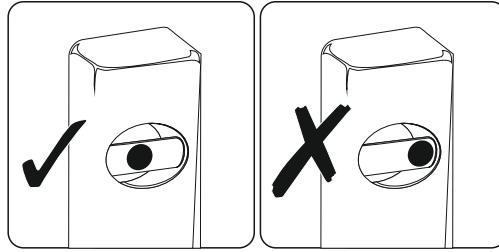
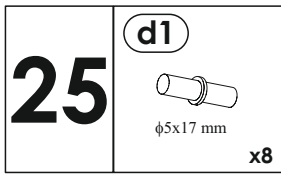




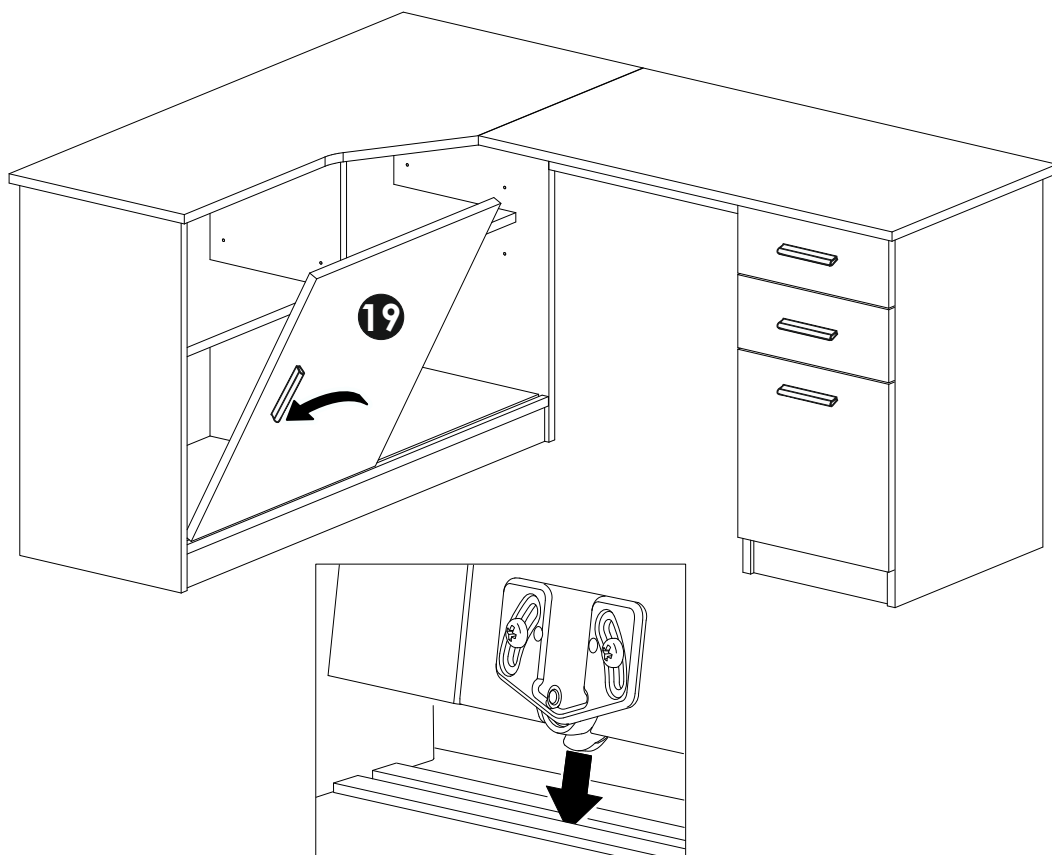


<b>24</b>	<b>c234</b>	<b>p8</b>	<b>s2</b>
	 x1	 4 x 30 mm x2	 x14

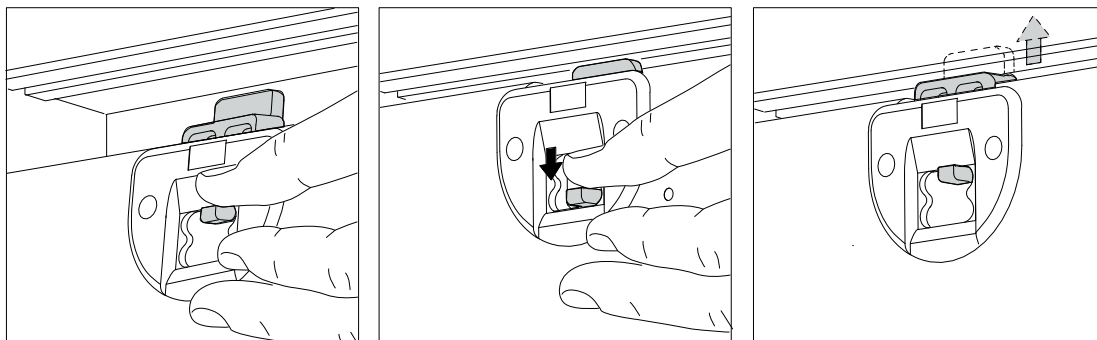
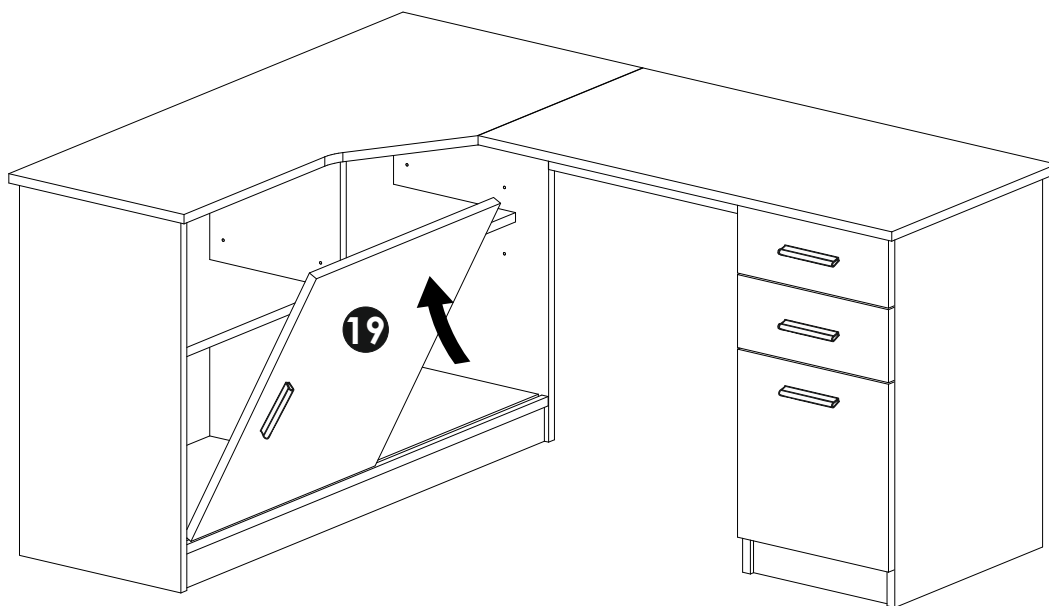




27



28



29

