

LiFePO4 battery replacement Lead acid

ANJ series instruction manual



catalogue

- 1. Product description.....3**
- 2. Usage parameter description.....3-4**
- 3. Series parallel connection diagram.....4-5**
- 4. Matters needing attention.....5-6**

Instructions: This manual is applicable to lithium-lead battery models ANJ-12V-100AH-PX, ANJ-24V-100AH-PX , ANJ-12V-200AH-PX

1.Product description

The lithium battery type is lithium iron phosphate battery, the product has built-in BMS, supports overcharge protection, over discharge protection, over current protection, short circuit protection, over temperature protection, balanced, fast charge.

2.Usage parameter description

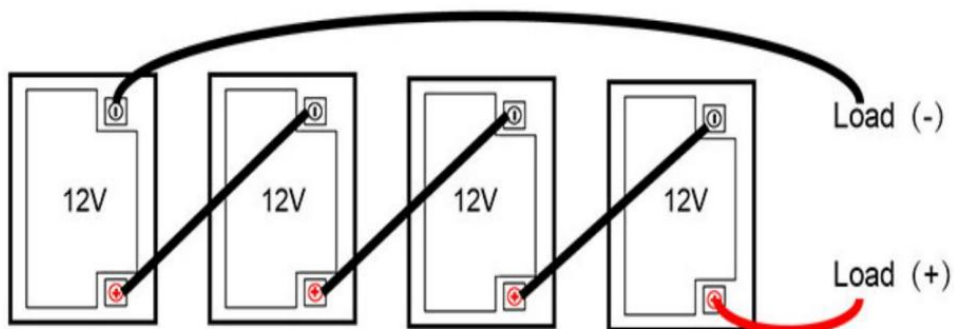
Very important, please strictly follow the usage parameters in the table, can make the battery life longer.

Model		ANJ-12V-100AH-PX	ANJ-12V-200AH-PX	ANJ-24V-100AH-PX
Product parameter	Nominal voltage	12.8V	12.8V	25.6V
	Nominal capacity	100AH	200AH	100AH
	Energy	1280WH	2560WH	2560WH
	Cell assembly	3.2V100AH -4S1P	3.2V100AH -4S2P	3.2V100AH -8S1P
	Dimension (mm)	330*173*221	522*238*222	522*238*222
	Weight (KG)	11±0.5Kg	21±1Kg	21±1Kg
	Cycle Life	>6000 (25℃, @0.5C 100%DOD)		
Charge and discharge parameter	Charging voltage	14.4-14.6V	14.4-14.6V	28.8-29.2V
	Discharge cut-off voltage	10V±0.5V	10V±0.5V	20V±0.5V
	Maximum discharge current	100A	100A	100A

	Maximum charging current	50A	100A	50A
Operating temperature	Discharge	-20°C~55°C		
	charging	0°C~55°C		
Storage temperature	Within a month	-20°C~45°C		
	Within a year	0°C~35°C		
Series-parallel quantity	Series connection	4	4	2
	In parallel	4 (Need to control the battery at the same voltage)		
Charger selection		14.6V20-50A	14.6V50-100A	29.2V20-50A

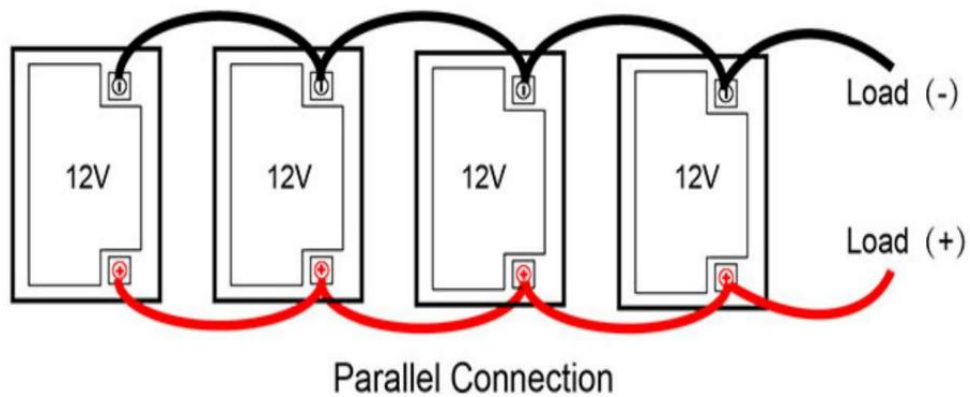
3. Series parallel connection diagram

Series diagram:



After series, the voltage increases and the capacity remains the same

Parallel diagram:



After parallel connection, the capacity increases and the voltage remains unchanged

4.Matters needing attention

- (1) Lithium batteries with different capacities, different performances and different manufacturers cannot be used together. The power cables connected and drawn out of the battery pack must be matched according to the load power
- (2) When the battery pack is used in series and parallel, the voltage difference is less than or equal to 0.1V
- (3) When connecting and removing the battery pack, be sure to cut off the power to avoid danger.
- (4) The battery pack must be kept away from sources of fire or water

(5) It is strictly forbidden to short-circuit the positive and negative poles, and it is strictly forbidden to reverse the positive and negative poles

(6) It is strictly forbidden to throw, drop, or disassemble the battery pack

(7) The temperature range of the battery pack cannot exceed 60°C, and it is recommended to use it in a working environment within 45°C

(8) If the battery pack is not used for a long time, it needs to be recharged every 3 months