



QUICK SELECTION / Selezione veloce input speed (n₁) = 1400 min⁻¹

Output Speed n ₂ [min ⁻¹]	Ratio i	Motor power P _{1M} [kW]	Output torque M _{2M} [Nm]	Service factor f.s.	Nominal power P _{1R} [kW]	Nominal torque M _{2R} [Nm]	Available B5 motor flanges				Available B14 motor flanges			Output Shaft \varnothing	Ratios code 	
							B	C	D	E	Q	R	T			
							63	71	80	90	71	80	90			
35.2	39.79	1.1	278	1.3	1.5	373	B				C	C		191316	standard ø30 ø24 ø25 ø28 ø35 On request	-
29.6	47.22	1.1	330	1.1	1.2	354	B				C	C		191314		
25.6	54.73	1.1	382	0.9	1.0	354	B				C	C		171314		
21.1	66.22	0.75	315	1.0	0.78	326	B				C	C		171312		
18.3	76.69	0.75	365	1.0	0.73	354	B				C	C		131314		
16.7	83.59	0.55	292	1.2	0.67	354	B				C	C		190814		
15.1	92.78	0.55	324	1.0	0.55	326	B				C	C		131312		
13.4	104.67	0.55	365	1.0	0.53	354	B				C	C		101314		
11.9	117.22	0.37	275	1.2	0.44	326	B				C	C		170812		
11.1	126.65	0.37	297	1.1	0.41	326	B				C	C		101312		
10.2	136.62	0.37	321	1.1	0.41	354	B				C	C		91314		
8.5	165.29	0.25	262	1.2	0.31	326	B				C	C		91312		
7.8	180.40	0.25	286	1.2	0.31	354	B				C	C		71314		
6.4	218.26	0.25	346	0.9	0.24	326	B				C	C		71312		
5.8	241.82	0.25	384	0.9	0.23	354	B				C	C		90814		
4.8	292.57	0.18	334	1.0	0.18	326	B				C	C		90812		
4.4	319.32	0.18	365	1.0	0.17	354	B				C	C		70814		
3.6	386.33	0.18	441	0.7	0.13	326	B				C	C		70812		
2.9	480.16	0.18	548	0.5	0.08	250	B				C	C		70810		

The dynamic efficiency is **0.93** for all ratios

Motor Flanges Available Flange Motore Disponibili
 B Supplied with Reduction Bushing Fornito con Bussola di Riduzione
 B Available on Request without reduction bushing Disponibile a Richiesta senza Bussola di Riduzione
 C Motor Flange Holes Position Posizione Fori Flangia Motore

EN Unit **503A** is supplied with synthetic oil for lifetime lubrication, no maintenance is necessary. See table 1 for lubrication and recommended quantity. In table 2 please see possible radial loads and axial loads on the gearbox. For complete documentation please visit our web site.

I Il riduttore **503A** viene fornito completo di olio sintetico per la lubrificazione permanente e non necessita di alcuna manutenzione. Vedi tab.1 per oli e quantità consigliati. In tab.2 sono presenti i carichi radiali e assiali applicabili al riduttore. Per la documentazione completa consulta il nostro sito.

D Das Getriebe **503A** ist mit synthetischem Öl gefüllt und ist lebensdauer geschmiert. In Tabelle 1 ist die Schmiermenge und das empfohlene Schmiermittel angegeben. In Tabelle 2 sind die zulässigen Radial - und Axialbelastungen des Getriebes aufgeführt. Die komplette Dokumentation, Wartungs - und Inbetriebnahmeanleitungen finden Sie unter.

E El reductor tamaño **503A** se suministra, lubricado de por vida con aceite sintético y no requieren mantenimiento alguna. Ver tabla 1, para cantidades y aceites recomendados. En la tabla 2, se encuentran las cargas radiales y axiales admitidas por el reductor. Para documentación completa, consultar nuestra Web.

Standard supplied	For these mounting position specify in the order or add oil Per queste posizioni specificare in fase d'ordine o aggiungere olio					
0.75 LT	0.75 LT	1.05 LT	1.15 LT	1.20 LT	1.20 LT	1.20 LT
AGIP Telium VSF 320	BP Energol SGXP220	SHELL Tivela Oil WB	KLUBER Syntheso D220 EP	MOBIL Glygoyle 30		

tab. 1

RADIAL AND AXIAL LOADS

Output shaft
Albero di uscita

$F_R (N)$
 $F_A (N)$

$F_{eq} = F_R \cdot \frac{54}{X+24}$

$F_{eq} (N)$

n ₂	FA	FR	n ₂	FA	FR	n ₂	FA	FR
300	460	2300	140	600	3000	70	780	3900
250	480	2400	120	620	3100	40	900	4500
200	520	2600	85	700	3500	15	1000	5000

Input shaft
Albero in entrata

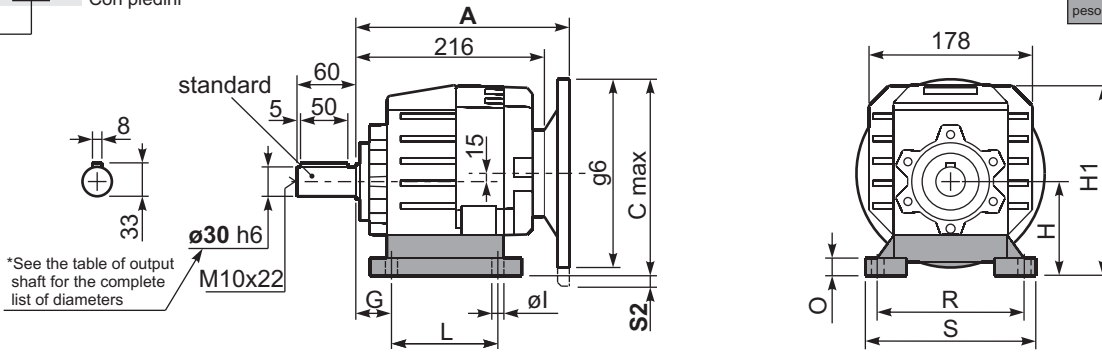
$F_R (N)$
 $F_A (N)$

n ₁	FA	FR
1400	400	2000
900	440	2200
500	440	2200

SELECT THIS TYPE AND THIS SPECIFIC SIZE ON THE WEB PAGES TO GET COMPLETE TECHNICAL DATA.
Selezionare tipo e gandezza specifica nel sito web per la documentazione completa.

P503A **B1** ... With feet
Con piedini

Gearbox weight With flange **11.9 kg**
peso riduttore With feet **12.1 Kg**



Feet / piedini

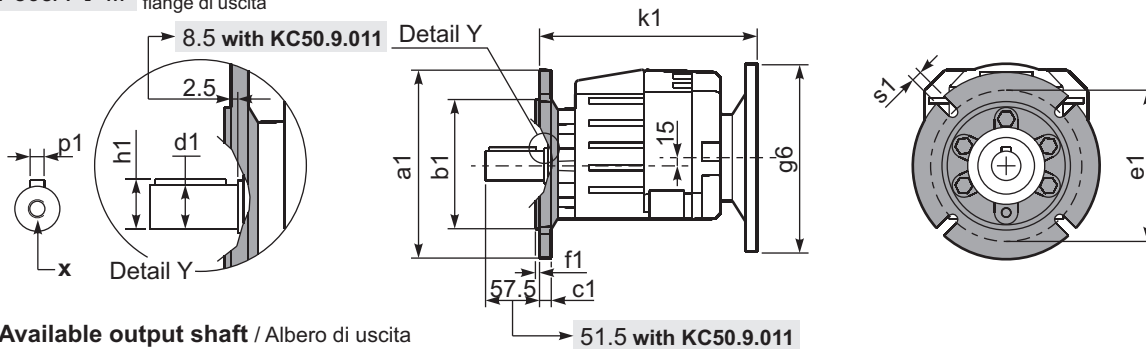
Feet Code	Market reference	G	H	R	L	S	H1	O	øl	S2 only with motor flange	B5 max. Flange	kit code
B3	312/3	18	110	160	130	190	211.5	20	11	10	100/112B5	KC50.9.024
B4	30/35	20	130	180	149.5	216	231.5	18	14			KC60.9.024
S4	47-57	30	115	135	165	170	216.5	24	13.5	5	100/112B5	KC50.9.022
H3	023-233	30	130	135	135	185	231.5	25	14			KC50.9.025
M2	52/3	30	110	135-150	100	190	226.5	18	11			KC50.9.023
L6	06	19	125	160	106	205	201.5	8	14		80/90B5	KC50.9.026LM
E2	2202/3	13	100	135	192	164	201.5	6	14	10	100/112B5	KC50.9.027LM
P4	142	35	142	130	145	160	243.5	8	14			KC50.9.028LM
J3	4100-05G	25	100	150	90	180	201.5	8	14	20	100/112B5	KC50.9.029LM

Other feet are available, see our web site
Sono disponibili altri piedini, consulta il nostro sito web

A see on page bottom

Most popular types
Tipi più diffusi

P503A-**F** ... Output flanges
flange di uscita



*Available output shaft / Alberi di uscita

	Shaft - d1	p1	h1	x
Standard	ø 30x60	8	33	M10x22
On request A richiesta	ø 24x50	8	27	M8x19
	ø 25x50	8	28	M8x19
	ø 28x60	8	31	M8x19
	ø 35x60	10	38	M10x22

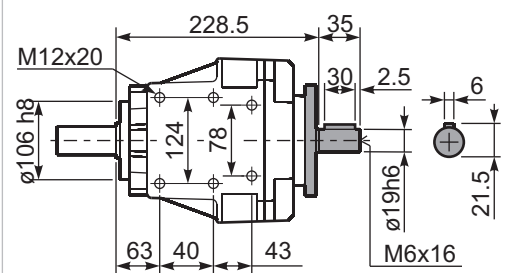
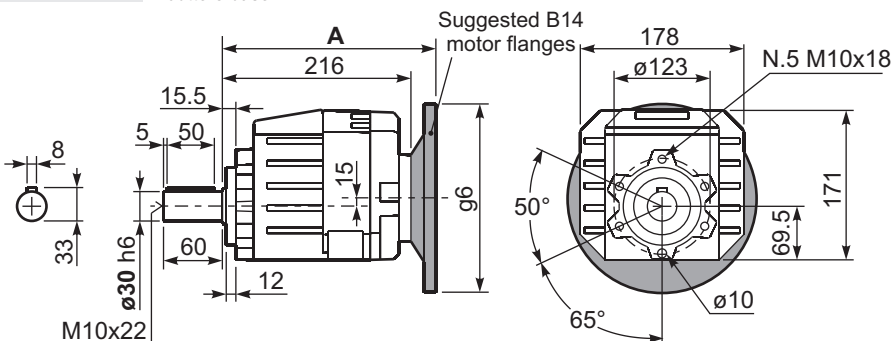
Available output flanges / flange di uscita

a1 ø	b1	c1	e1	f1	s1	kit code
160	110	14	130	3.5	9	KC50.9.011
200	130	13	165	3.5	11	KC50.9.012
250	180	15.5	215	4	14	KC50.9.013

With flange and feet only on request. Ask for compatibility

P503A-**N** ... Basic gearbox
Riduttore base

R503A-N ... Input Shaft
Albero in entrata



B5 Motor Flanges	A	C _{max}	g6	k1	kit code	k1 with KC50.9.011
63 B5	236.5	227	140	239	K063.4.041	245
71 B5	234.5	237	160	237	K063.4.042	243
80/90 B5	236.5	257	200	239	K063.4.043	245

B14 Motor Flanges	A	C _{max}	g6	k1	kit code	k1 with KC50.9.011
71 B14	234.5	209.5	105	237	K063.4.047	243
80 B14	235.5	217	120	238	K063.4.046	244
90 B14	236.5	227	140	239	K063.4.041	245