

# Steel ball valve - DN 65 - 150, PN 16

## Type 64103 - Reduced bore

### Flange × Flange

Fully welded steel ball valve.

### Materials

See next page.

### Applications

Isolating valve for heating systems, district heating, cooling and industrial purpose.

### Media

Water, air and other media not decomposing the steel. Not suitable for steam. If in doubt, please contact BROEN BALLOMAX® Sales Department.

### Surface treatment

Eco-friendly protection finish against corrosion.

### Operation

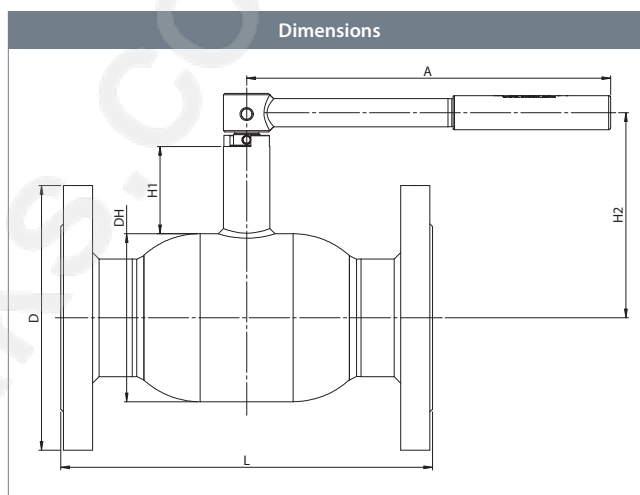
The standard handle is 180 degrees adjustable.

### Approvals and certificates

BROEN is certified according to ISO 9001 and environmentally certified according to ISO 14001. BROEN BALLOMAX® is approved according to the requirements of Pressure Equipment Directive (PED). All ball valves as from DN 40 are CE-marked. The 3.1 certificate is available upon request.

### Notice

Other lengths and special flanges available on request.



DN	BROEN No.	Bore	Kvs	net Weight kg	All dimensions in mm					
					DH	D	L	H1	H2	A
65	64103065 010	50	180	9.9	108.0	185	270	66	144	275
80	64103080 010	65	288	13.2	127.0	200	280	66	154	275
100	64103100 010	85	470	18.3	152.0	220	300	81	193	365
125	64103125 010	100	699	24.3	177.8	250	325	91	212	365
150	64103150 010	125	1046	32.2	219.1	285	350	90	250	650

# Steel ball valve - DN 65 - 150, PN 16

Type 64103 - Reduced bore



Technical drawing		Material description	
	2	Flange	Steel - S235JRG2 / 1.0038 / EN 10025-2
	5	Valve body	Steel - P235GH / 1.0345 / EN 10217-2
	6	Ball	Stainless steel - AISI304L / 1.4306 / EN 10217-7
	7	Seat ring	PTFE 20% Carbon
	8	Back-up ring	Steel - DC01 / 1.0330 / EN 10130
	9	Disc spring	Steel - C75S / 1.1248 / EN 10132-4
	10	Neck ring	Steel - S355J2+N / 1.0570 / EN 10025-2
	11	Stem guide	Steel - S355J2+N / 1.0570 / EN 10025-2
	12	Stem	Stainless steel - ASTM420 / 1.4021 / EN 10088-3
	13	Stem washer	Stainless steel - AISI304 / 1.4301 / EN 10088-3
	14	Friction washer	PTFE 20% Carbon
	15	O-ring	Rubber - EPDM70
	16	Back-up ring	PTFE 20% Carbon
	17	O-ring	Rubber - FPM70
18	Intermediate ring	Stainless steel - AISI303 / 1.4305 / EN 10088-3	
19	Pin	Steel - hardenat	
20	Handle	Steel	
22	Bearing	Steel - PTFE	

Accessories	BROEN No.	Dimension	Description
	167245	DN 65 - 80	ISO-flange.
	169245	DN 100	
	66160065 000	DN 65 - 80	Hexagon for insertion key.
	66164100 000	DN 100	
	66161100 000	DN 125	
	66161150 000	DN 150	

Special model: Minimum length - Flange × Flange - DN 65 - 150:

DN	Standard length - mm	Minimum length - mm
65	270	206
80	280	224
100	300	244
125	-	-
150	-	-