

# Steel ball valve - DN 65 - 150, PN 25

## Type 64102 - Reduced bore

### Welding × Welding

Fully welded steel ball valve.

### Materials

See next page.

### Applications

Isolating valve for heating systems, district heating, cooling and industrial purpose.

### Media

Water, air and other media not decomposing the steel. Not suitable for steam. If in doubt, please contact BROEN Ballomax® Sales Department.

### Surface treatment

Eco-friendly protection finish against corrosion.

### Operation

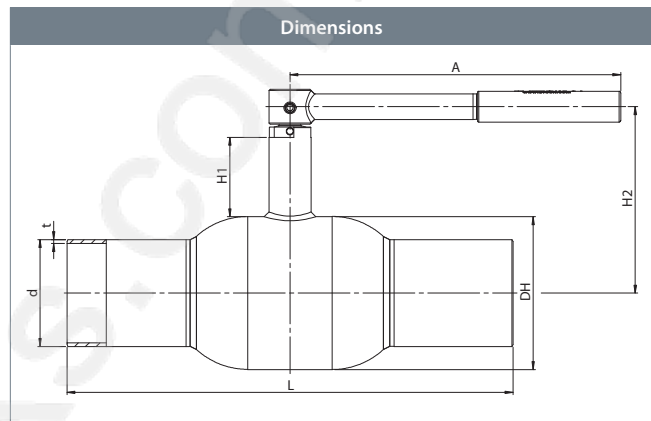
The standard handle is 180 degrees adjustable.

### Approvals and certificates

BROEN is certified according to ISO 9001 and environmentally certified according to ISO 14001. BROEN BALLOMAX® is approved according to the requirements of Pressure Equipment Directive (PED). All ball valves as from DN 40 are CE-marked. The 3.1 certificate is available upon request.

### Notice

ISO-flange can be mounted on request.



| DN  | BROEN No.    | Bore | Kvs  | net Weight kg | All dimensions in mm |       |     |     |     |     |     |
|-----|--------------|------|------|---------------|----------------------|-------|-----|-----|-----|-----|-----|
|     |              |      |      |               | DH                   | d     | t   | L   | H1  | H2  | A   |
| 65  | 64102065 010 | 50   | 180  | 5.0           | 108                  | 76.1  | 2.9 | 360 | 66  | 144 | 275 |
| 80  | 64102080 010 | 65   | 288  | 6.5           | 127                  | 88.9  | 3.2 | 370 | 66  | 154 | 275 |
| 100 | 64102100 010 | 85   | 470  | 9.8           | 152                  | 114.3 | 3.6 | 390 | 81  | 193 | 365 |
| 125 | 64102125 010 | 100  | 699  | 12.4          | 178                  | 139.7 | 3.6 | 390 | 91  | 211 | 365 |
| 150 | 64102150 010 | 125  | 1046 | 21.1          | 219                  | 168.3 | 4.0 | 390 | 101 | 249 | 650 |

# Steel ball valve - DN 65 - 150, PN 25

Type 64102 - Reduced bore



| Technical drawing |    | Material description |  |
|-------------------|----|----------------------|--|
|                   | 1  | Welding end          | Steel - P235GH / 1.0345 / EN 10217-2             |
|                   | 5  | Valve body           | Steel - P235GH / 1.0345 / EN 10217-2             |
|                   | 6  | Ball                 | Stainless steel - AISI304L / 1.4306 / EN 10217-7 |
|                   | 7  | Seat ring            | PTFE 20% Carbon                                  |
|                   | 8  | Back-up ring         | Steel - DC01 / 1.0330 / EN 10130                 |
|                   | 9  | Disc spring          | Steel - C75S / 1.1248 / EN 10132-4               |
|                   | 10 | Neck ring            | Steel - S355J2+N / 1.0570 / EN 10025-2           |
|                   | 11 | Stem guide           | Steel - S355J2+N / 1.0570 / EN 10025-2           |
|                   | 12 | Stem                 | Stainless steel - ASTM420 / 1.4021 / EN 10088-3  |
|                   | 13 | Stem washer          | Stainless steel - AISI304 / 1.4301 / EN 10088-3  |
|                   | 14 | Friction washer      | PTFE 20% Carbon                                  |
|                   | 15 | O-ring               | Rubber - EPDM70                                  |
|                   | 16 | Back-up ring         | PTFE 20% Carbon                                  |
|                   | 17 | O-ring               | Rubber - FPM70                                   |
|                   | 18 | Intermediate ring    | Stainless steel - AISI303 / 1.4305 / EN 10088-3  |
|                   | 19 | Pin                  | Steel - hardenat                                 |
|                   | 20 | Handle               | Steel  |
|                   | 22 | Bearing              | Steel - PTFE                                     |

| Accessories | BROEN No. | Dimension  | Description |
|-------------|-----------|------------|-------------|
|             | 167245    | DN 65 - 80 | ISO-flange. |
|             | 169245    | DN 100     |             |