

Steel ball valve - DN 15 - 50, PN 40

Type 94103 - Full bore

Flange × Flange

Fully welded steel ball valve.

Materials

See next page.

Applications

Isolating valve for heating systems, district heating, cooling and industrial purpose.

Media

Water, air and other media not decomposing the steel. Not suitable for steam. If in doubt, please contact BROEN BALLOMAX® Sales Department.

Surface treatment

Eco-friendly protection finish against corrosion.

Operation

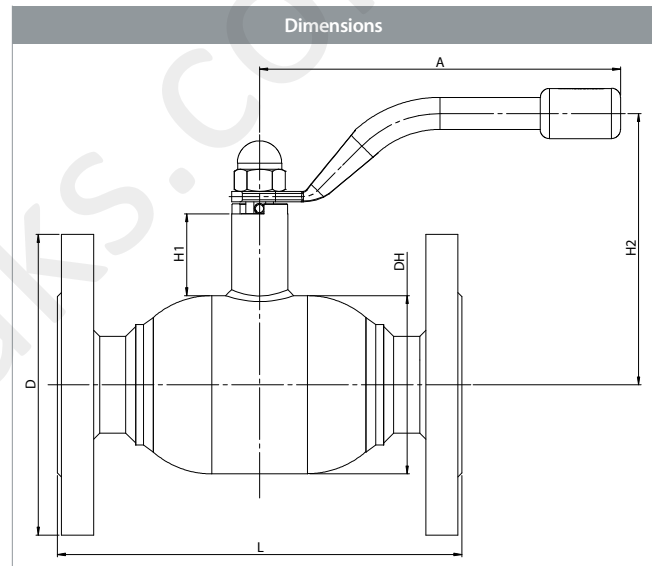
The standard handle is 180 degrees adjustable.

Approvals and certificates

BROEN is certified according to ISO 9001 and environmentally certified according to ISO 14001. BROEN BALLOMAX® is approved according to the requirements of Pressure Equipment Directive (PED). All ball valves as from DN 40 are CE-marked. The 3.1 certificate is available upon request.

Notice

Other lengths and special flanges available on request.



DN	BROEN No.	Bore	Kvs	net Weight kg	All dimensions in mm					
					DH	D	L	H1	H2	A
15	9410340015 010	15	32	1.9	42	95	130	47	115	140
20	9410340020 010	20	57	2.7	51	105	150	47	120	140
25	9410340025 010	25	81	3.5	57	115	160	48	124	140
32	9410340032 010	32	133	5.5	76	140	180	41	127	180
40	9410340040 010	40	229	6.8	89	150	200	41	133	180
50	9410340050 010	50	295	9.3	108	165	230	66	145	275

Steel ball valve - DN 15 - 50, PN 40

Type 94103 - Full bore



Technical drawing		Material description	
	2	Flange	Steel - S235JRG2 / 1.0038 / EN 10025-2
	5	Valve body	Steel - P235GH / 1.0345 / EN 10217-2
	6	Ball	Stainless steel - AISI304L / 1.4306 / EN 10217-7
	7	Seat ring	PTFE 20% Carbon
	8	Back-up ring	Steel - DC01 / 1.0330 / EN 10130
	10	Neck ring	Steel - S355J2+N / 1.0570 / EN 10025-2
	11	Stem guide	Steel - S355J2+N / 1.0570 / EN 10025-2
	12	Stem	Stainless steel - ASTM420 / 1.4021 / EN 10088-3
	13	Stem washer	Stainless steel - AISI304 / 1.4301 / EN 10088-3
	14	Friction washer	PTFE 20% Carbon
	15	O-ring	Rubber - EPDM70
	16	Back-up ring	PTFE 20% Carbon
	17	O-ring	Rubber - FPM70
	18	Intermediate ring	Stainless steel - AISI303 / 1.4305 / EN 10088-3
19	Pin	Steel - hardenat	
20	Handle	Steel	
21	Cap nut	Steel - galvanized	
34	Middle bush	Steel - P235GH / 1.0345 / EN 10217-2	

Accessories	BROEN No.	Dimension	Description
	66050010 000 - yellow	DN 20 - 25	T-handles in three different colors - yellow, blue and red. Factory fitted T-handle on request.
	66050010 003 - blue		
	66050010 004 - red		
	66050040 000 - yellow	DN 32 - 40	
	66050040 003 - blue		
	66050040 004 - red		
	203245	DN 20 - 25	ISO-flange.
	208245	DN 32 - 40	
	167245	DN 50	
	66160010 000	DN 20 - 25	Hexagon for insertion key.
	66160040 000	DN 32 - 40	
	66160065 000	DN 50	

Special model: Minimum length - Flange x Flange - DN 15 - 50:

DN	Standard length - mm	Minimum length - mm
15	130	On request
20	150	118
25	160	130
32	180	135
40	200	150
50	230	165

Steel ball valve - DN 65 - 125, PN 25

Type 94103 - Full bore

Flange × Flange

Fully welded steel ball valve.

Materials

See next page.

Applications

Isolating valve for heating systems, district heating, cooling and industrial purpose.

Media

Water, air and other media not decomposing the steel. Not suitable for steam. If in doubt, please contact BROEN BALLOMAX® Sales Department.

Surface treatment

Eco-friendly protection finish against corrosion.

Operation

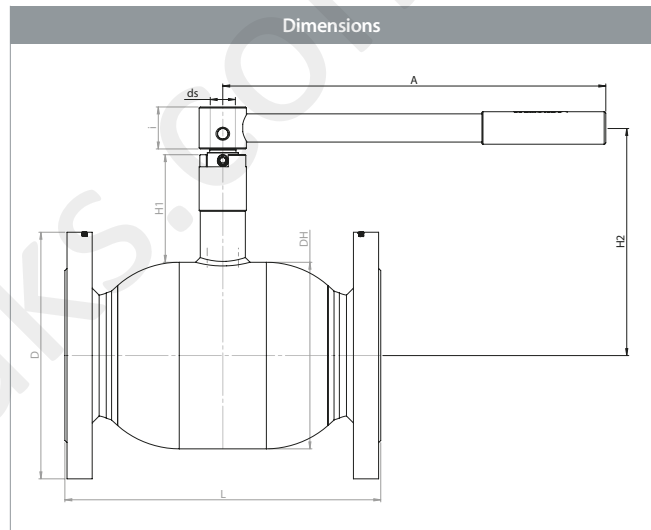
The standard handle is 180 degrees adjustable.

Approvals and certificates

BROEN is certified according to ISO 9001 and environmentally certified according to ISO 14001. BROEN BALLOMAX® is approved according to the requirements of Pressure Equipment Directive (PED). All ball valves as from DN 40 are CE-marked. The 3.1 certificate is available upon request.

Notice

We recommend to add a BROEN-Gear for DN 100 - 125. Other lengths and special flanges available on request.



DN	BROEN No.	Bore	Kvs	net Weight kg	All dimensions in mm								
					DH	D	L	H1	H2	ds	i	A	ISO
65	9410325065 010	65	498	13.2	127	185	290	66	155	18	31	275	-
80	9410325080 010	80	754	18.6	152	200	280	81	192	24	40	365	-
100	9410325100 010	100	1159	24.5	178	235	300	91	218	24	40	365	-
125	9410325125 010	125	1841	40.5	219	270	325	90	248	30	55	650	F10

Steel ball valve - DN 65 - 125, PN 25



Type 94103 - Full bore

Technical drawing		Material description	
	1	Welding	Steel - P235GH / 1.0345 / EN 10217-2
	2	Flange	Steel - S235JRG2 / 1.0038 / EN 10025-2
	5	Valve body	Steel - P235GH / 1.0345 / EN 10217-2
	6	Ball	Stainless steel - AISI304L / 1.4306 / EN 10217-7
	7	Seat ring	PTFE 20% Carbon
	8	Back-up ring	Steel - DC01 / 1.0330 / EN 10130
	9	Disc spring	Steel - C75S / 1.1248 / EN 10132-4
	11	Stem guide	Steel - S355J2+N / 1.0570 / EN 10025-2
	12	Stem	Stainless steel - ASTM420 / 1.4021 / EN 10088-3
	13	Stem washer	Stainless steel - AISI304 / 1.4301 / EN 10088-3
	14	Friction washer	PTFE 20% Carbon
	15	O-ring	Rubber - EPDM70
	17	O-ring	Rubber - FPM70
	18	Intermediate ring	Stainless steel - AISI303 / 1.4305 / EN 10088-3
19	Pin	Steel - hardenat	
20	Handle	Steel	
22	Bearing	Steel - PTFE	
23	ISO-flange	Steel - S235JRG2 / 1.0038 / EN 10025-2	
24	Pin	Steel - hardenat	
25	Friction gasket	PTFE 20% Carbon	
30	Circlip	Steel	
54	O-ring	Rubber - AFLAS	

Accessories	BROEN No.	Dimension	Description
	600584	DN 100	BROEN-Gear.
	600585	DN 125	
	167245	DN 65	ISO-flange.
	169245	DN 80	
	66160065 000	DN 65	Hexagon for insertion key.
	66164100 000	DN 80	
	66161100 000	DN 100	
	66161150 000	DN 125	

Special model: Minimum length - Flange x Flange - DN 65 - 125:

DN	Standard length - mm	Minimum length - mm
65	270	206
80	280	224
100	300	244
125	325	272