

# FHR 5.500L ROTATOR

STATIC  
LOAD



DYNAMIC  
LOAD



TORQUE  
at 25MPa



OILFLOW



WEIGHT



Rotate left/right  
G 3/8" Max 250 bar

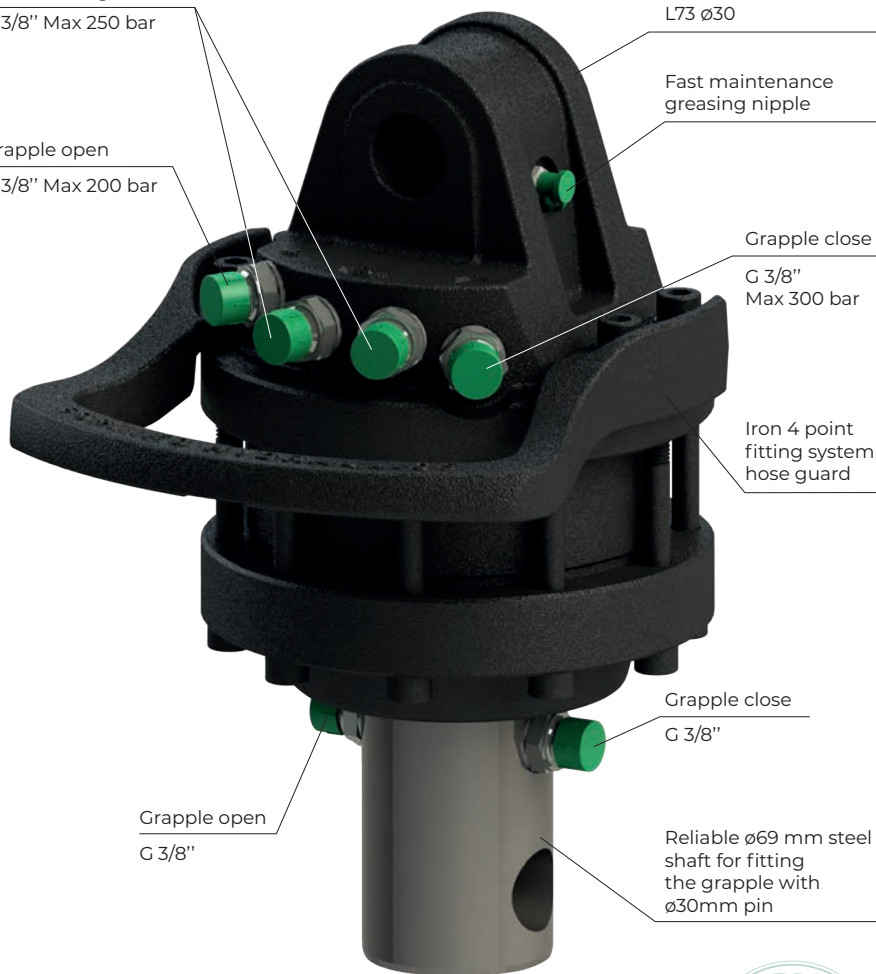
Rotator frame  
L73 ø30

Fast maintenance  
greasing nipple

Grapple open  
G 3/8" Max 200 bar

Grapple close  
G 3/8"  
Max 300 bar

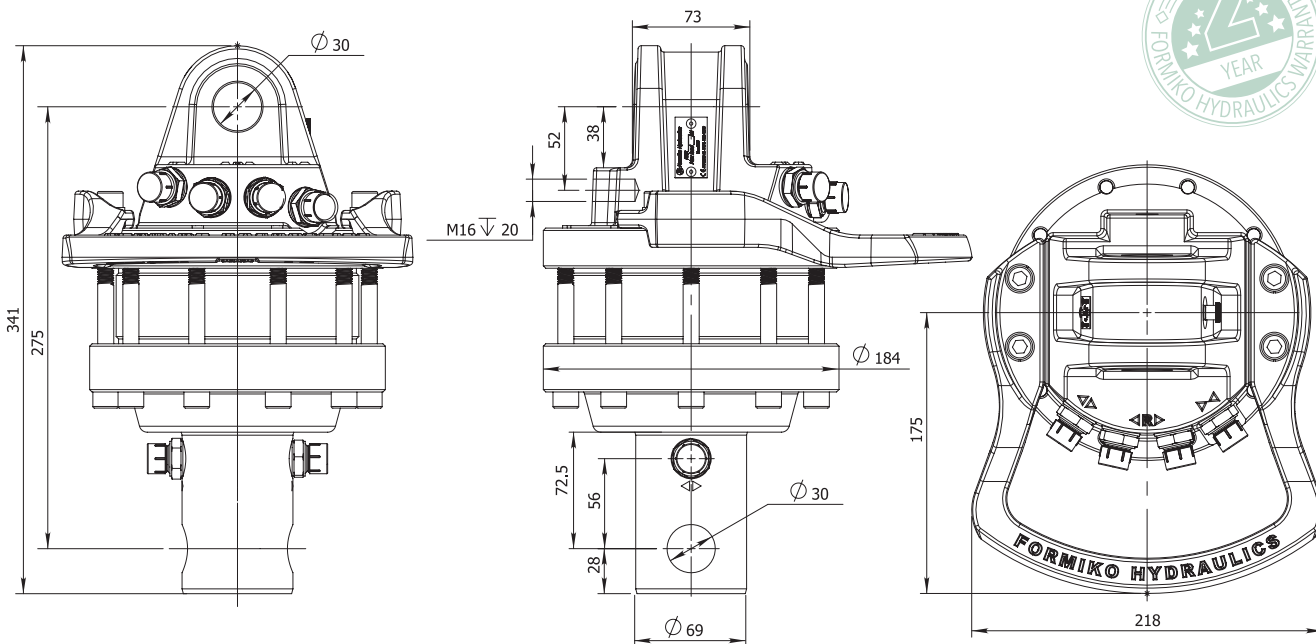
Iron 4 point  
fitting system  
hose guard



Grapple open  
G 3/8"

Grapple close  
G 3/8"

Reliable ø69 mm steel  
shaft for fitting  
the grapple with  
ø30mm pin



FORESTRY



AGRICULTURE



CONSTRUCTION



GENERAL CARGO



RECYCLING