

Paddle Flow Switch with Metal Shell WFS27020BFxx WFS27020SFxx plug-in with female thread Series



WFS27020BFxx

WFS27020SFxx

Applicable Medium:



Please indicate your metering substances with your order.

Parameters:

caliber	model	Adjustable flow range l/min(water)	Max Flow Rate l/min(water)	A mm	B mm	C mm	D mm	L mm
φ20	WFS27020BF30..	5.0(4.3) ~ 6.8(5.8)	40	29.5	--	--	13	29
φ25	WFS27020BF35..	7.7(6.6) ~ 10.5(8.9)	60	35.5	--	--	13	29
φ32	WFS27020BF35..	7.7(6.6) ~ 10.5(8.9)	80	35.5	--	--	13	29
φ40	WFS27020BF35..	19.9(16.9) ~ 26.9(22.9)	100	35.5	--	--	13	29
φ50	WFS27020BF45..	31.1(26.5) ~ 42.0(35.7)	150	45.5	--	--	13	29
φ63	WFS27020BF70..	48.0(40.8) ~ 64.9(55.2)	250	70	46.5	12	--	29

Note: 1. Of flow range parameters in the table above, outside the brackets are closed flow points; inside the brackets are disconnected (open) flow points.
 2. length of different paddles apply to different measuring method, please pay attention to measurement of figure A in the pictures below.
 3. Flow range refers to tested flow in certain UPVC tee joints, and it is for reference only; actual flow rate depends on what kind of tee joint used.
 4. This is just part of parameter range, for more information, please contact us.

Technical Parameters:

- Voltage: Max 250V
- Max Current: 1A, 50VA
- Connection Type: wire directly attached/DIN43650A industrial plug
- Output: SPST magnetism sensitive switch (default setting normally open)
- Proof pressure: 25bar (brass), 50bar (stainless steel)
- Average Pressure loss: 0.01bar (at max flow rate)
- Working temperature: -40...85°C (unfrozen liquid)
- Enclosure protection grade: IP65
- Material: shell in contact with liquid: brass or stainless steel
Paddle: brass or stainless steel

Principles & Structures:

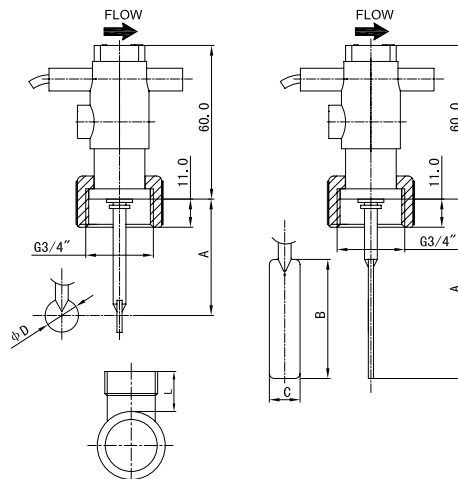
WFS27 series paddle flow switch with metal shell & lower pressure drop aims to solve problems of lower bearing pressure at high temperature, fragile plastic at lower temperature and easily getting aging outdoor. With its excellent flow performance, flow switch with metal shell can be widely used in heat pump air conditioning, laser machine and industrial cooling system. It follows a simple and reliable design concept, and greatly improves the reliability of flow switches on structure aspect, which is incomparable to the non-traditional target flow switch. Besides what mentioned above, this type of flow switch is also famous for characters of plug-in installation, mechanical flow switch and built-in magnetic trigger switch.

Features:

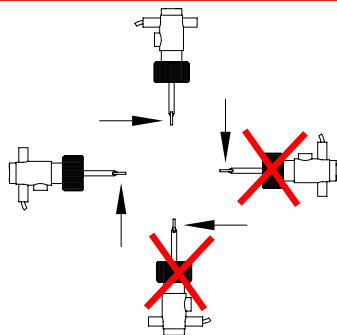
Mechanical parts are safely isolated from electrical parts, and bellows vulnerable to cause malfunction are not part of our flow switch. All materials in contact with liquid is brass or stainless steel, and brass joint with male thread is for optional. Combined with red copper tee joint, it's applicable to current heat pump air conditioner. It has a small disconnect and reset flow when imported magnetic-sensitive switches used as electrical action parts, and its negligible pressure drop is the preferred flow protection product for heat pump air conditioning.

Applications:

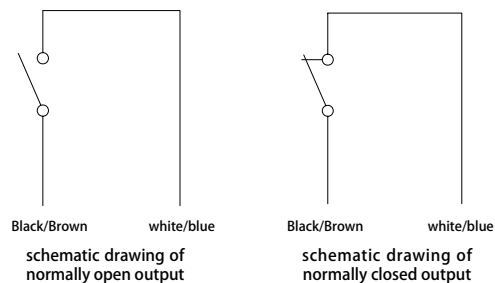
This type of switch is dual-use for vapor and liquid and is widely used in industrial automation/ mechanical equipment/ air compression industry/ refrigeration and air conditioning field. Magnet of flow switch is not in the flowing channel, material of 316L stainless steel can be used in sewage system and can work properly, so it's the first choice for water flow protection of heat pump.



Installation Locations:



Electrical Output:



Nomenclature:

WFS27	0	20	B	F	30	B	A	-1.0	/1M	Specifications
WFS27										WFS27 series paddle flow switch
	0									shape with single magnet
	1									shape with double magnet
		20								body connected thread: G3/4" plug-in with female thread
			B							materials of shell in contact with liquid:nickle plated brass
			S							materials of shell in contact with liquid:316L stainless steel
				F						connection type: plug-in with female thread
					28					code of paddle length: 28
					29					code of paddle length: 29
					30					code of paddle length: 30
					34					code of paddle length: 34
					35					code of paddle length: 35
					38					code of paddle length: 38
					40					code of paddle length: 40
					42					code of paddle length: 42
					44					code of paddle length: 44
					45					code of paddle length: 45
					46					code of paddle length: 46
					48					code of paddle length: 48
					55					code of paddle length: 55
					70					code of paddle length: 70
					100					code of paddle length: 100
				 (length and type of paddles are influenced by pipe caliber and flow rate)
						B				nut material:nickle plated brass
						S				nut material:stainless steel
							P			paddle material:plastic(can be omitted)
							A			paddle material:brass
							S			paddle material:stainless steel
								-1.0		protection flow in pipes of certain caliber ³ /h(not applicable for no protection flow)
							
									/D	DIN43650 industrial plug(with electrical junction box)
									/1M	wire length:1M= 1 meter
								

Hints for Orders:

1. Please specify medium flow direction, medium type, pipe diameter and expected setting value when ordering. We can complete it in factory settings.
2. If viscous medium, please indicate viscosity, temperature and type of medium.
3. If gaseous medium, please indicate pressure (gauge/absolute pressure), temperature and type of medium.

Optional Joints:



G3/4-φ 15.5soldered joints
order no.: T10031



G3/4-φ 18.8soldered joints
order no.: T10030

Note: please indicate the joint in your order.