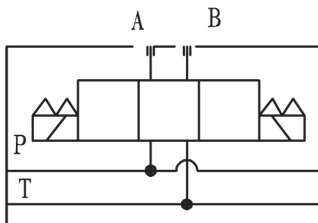


## MWE6

### MODULAR DIRECTIONAL VALVE ELEMENTS MWE6

#### SYMBOL

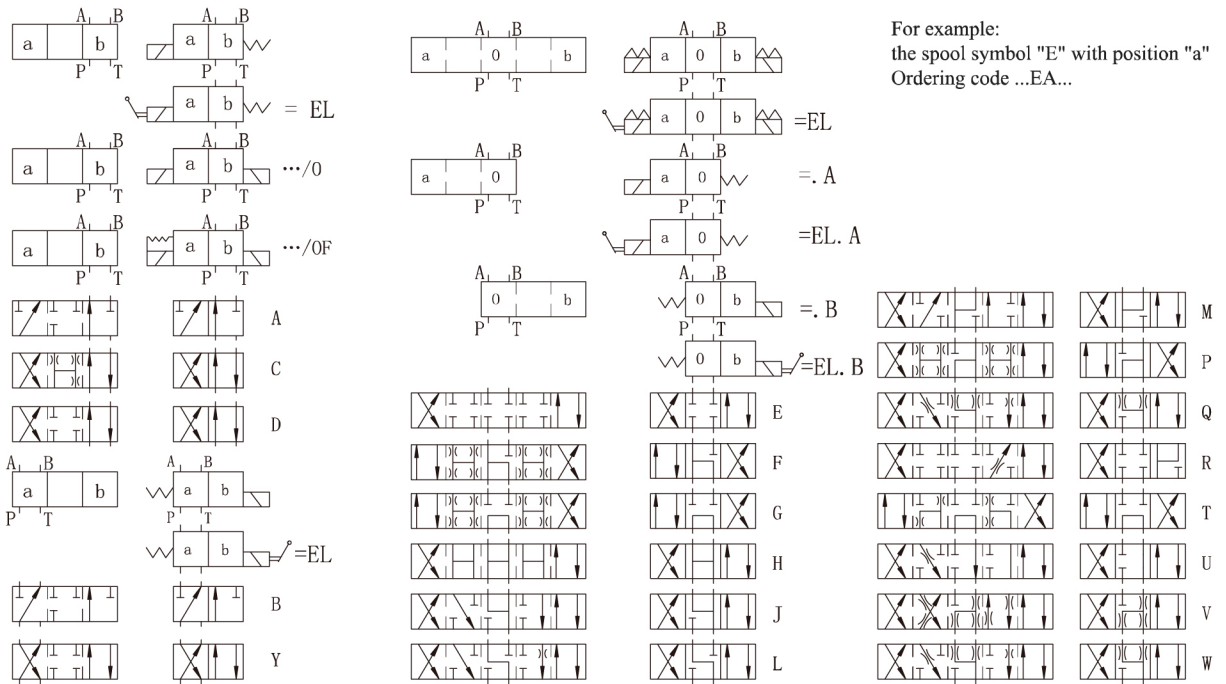


MWE6 series directional control valves are solenoid operated directional spool valves, these valves are used to start, stop and direct flow.

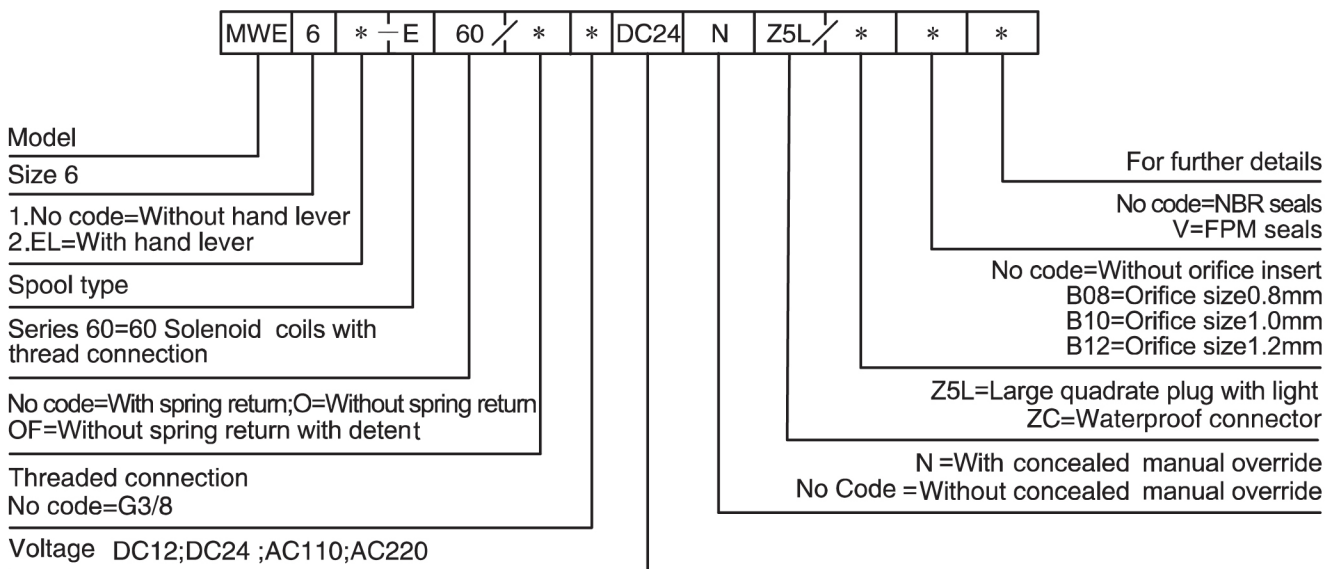
#### ▶ Technical data

Size	6
Max flow rate (L/min)	40
Operating pressure (MPa)	31
Valve body ( Material ) Surface treatment	casting phosphating surface
Oil cleanliness	NAS class 1638 ISO4406 class 20/18/15

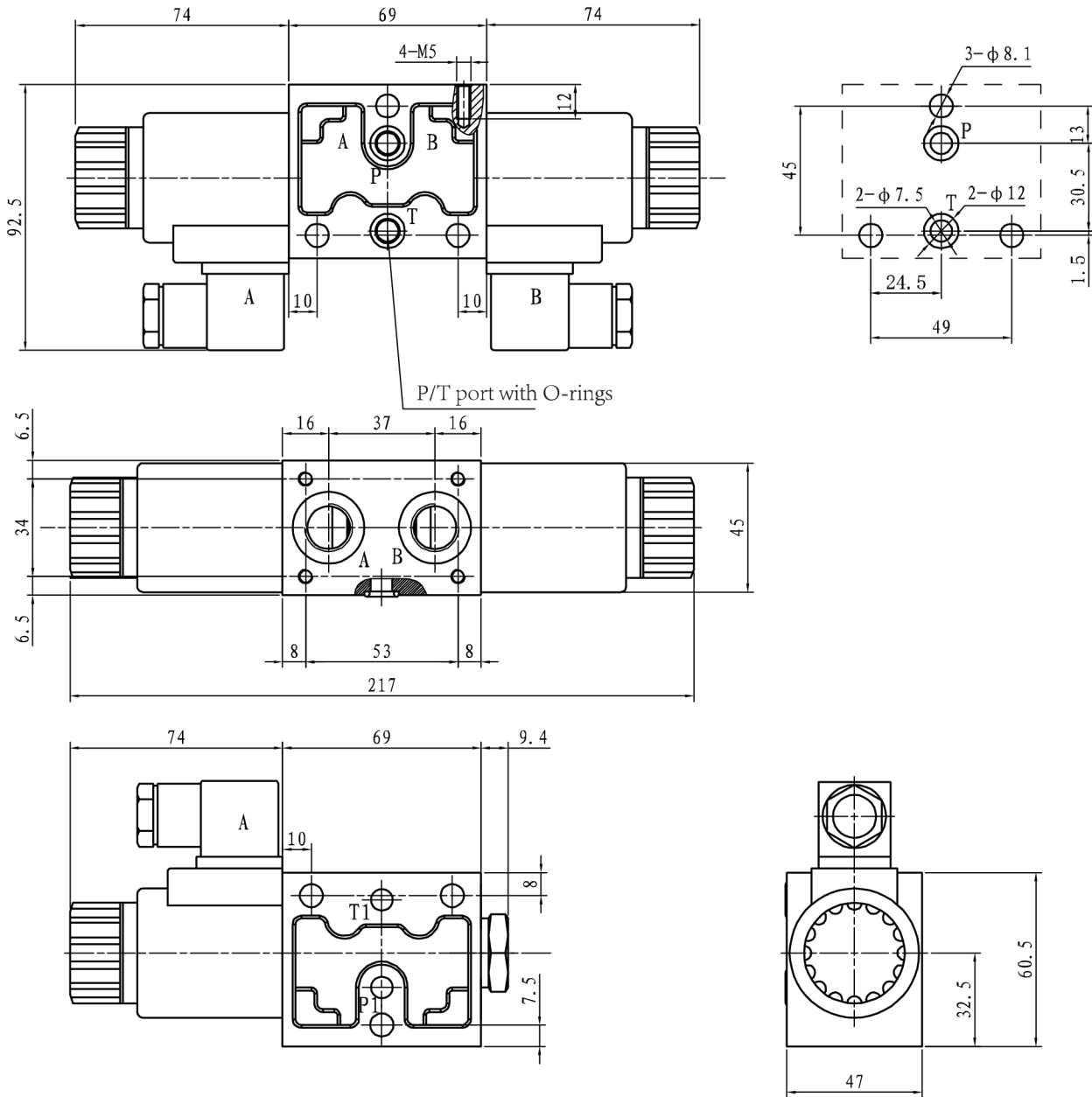
► Spool symbols



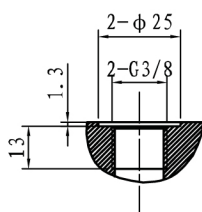
► Ordering Details



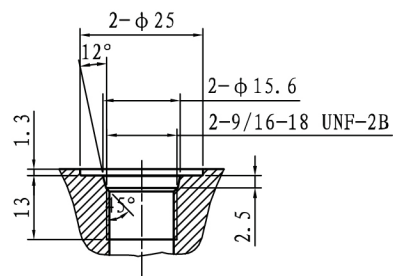
External Dimensions and Fittings



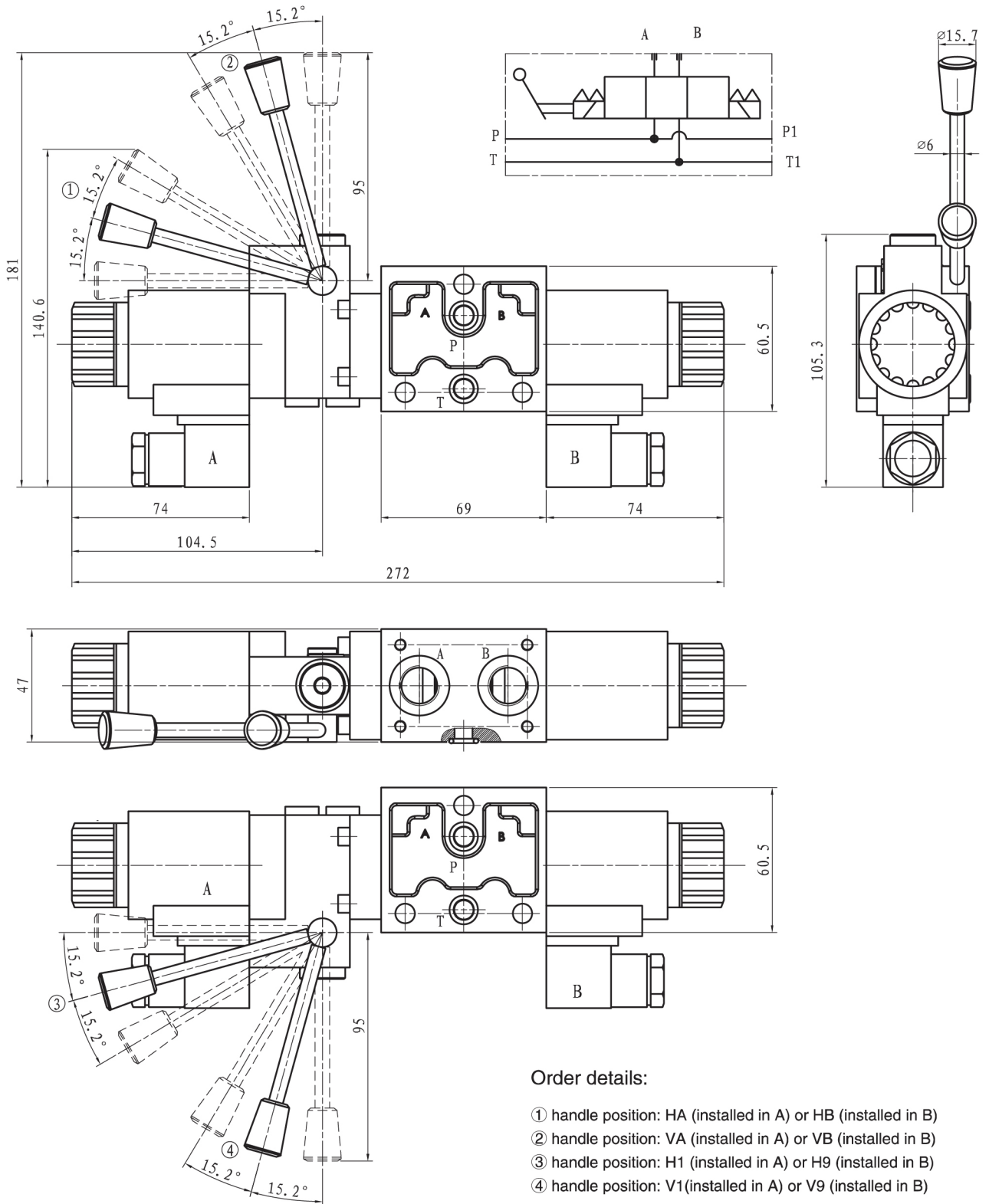
Sectional view of A,B oil port G3/8



Sectional view of A,B oil port SAE8 1.5:1



Installation Dimensions



Order details:

- ① handle position: HA (installed in A) or HB (installed in B)
- ② handle position: VA (installed in A) or VB (installed in B)
- ③ handle position: H1 (installed in A) or H9 (installed in B)
- ④ handle position: V1 (installed in A) or V9 (installed in B)