

Hybrid Solar Inverter

5.5KW Parallel

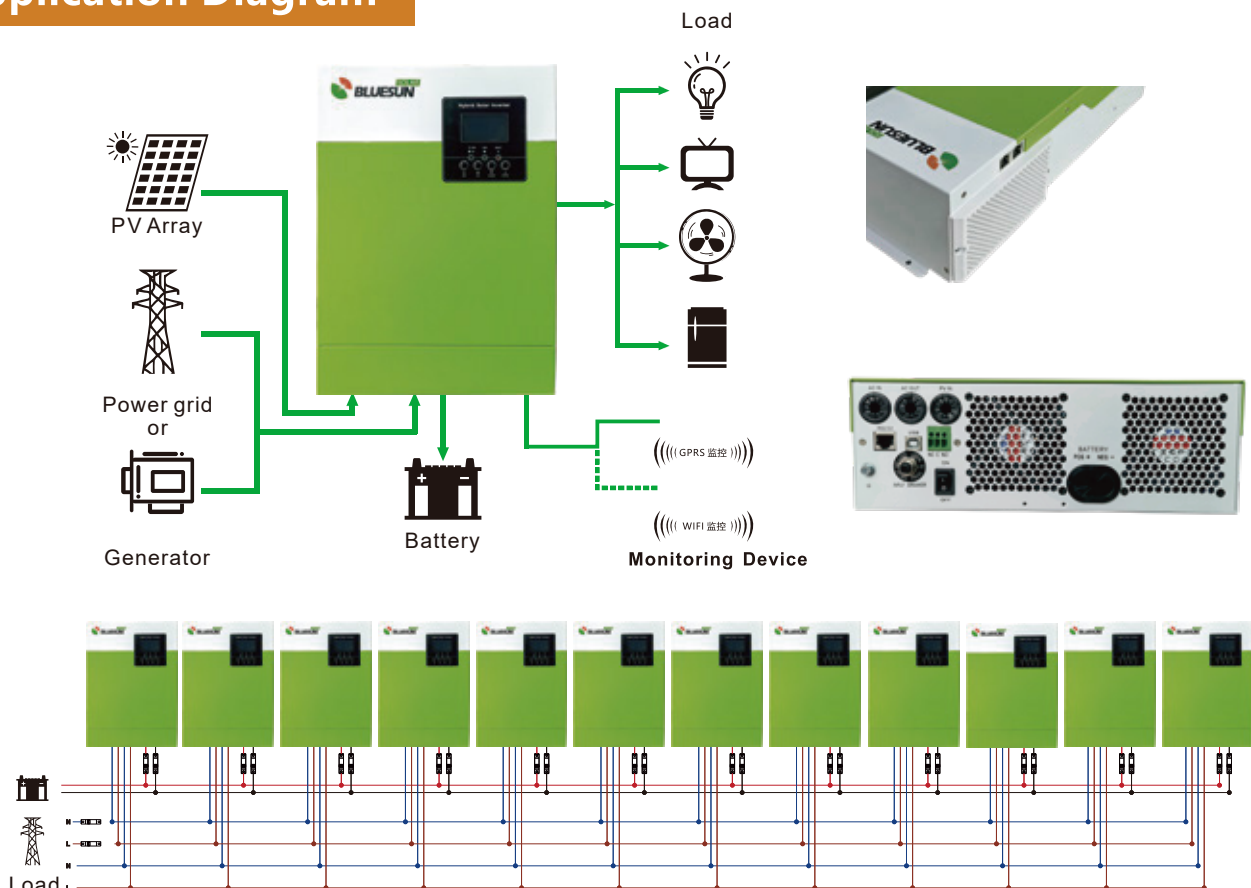


Features

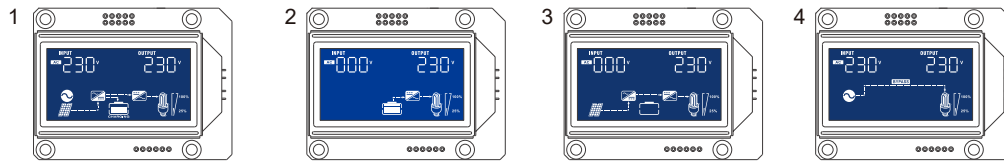
- Pure sine wave solar inverter
- Output power factor 1
- High PV input voltage range
- Built-in MPPT solar controller
- Battery equalization function to optimize battery performance and extend lifecycle
- Inverter running without battery
- Built-in anti-dusk kit for harsh environment
- Parallel operation with up to 12 units
- WiFi/GPRS remote monitoring(Optional)
- Detachable LCD(Optional)

This is a multi-functional inverter/charger, combining functions of inverter, solar charger and battery charger to offer uninterruptible power support in portable size. Its comprehensive LCD display offers user-configurable and easy-accessible button operation such as battery charging current, AC/solar charger priority, and acceptable input voltage based on different applications.

Application Diagram



System Diagram



1. With battery, solar and AC available
2. With battery, solar and AC not available
3. Without battery, solar available
4. Without battery, AC available

Technical Data

MODEL	BSM-5500BLV-48
Capacity	5.5 KVA /5.5KW
Parallel Capability	Yes,Max to 12 Units
INPUT	
Nominal Voltage	220VAC
Acceptable Voltage Range	170-280VAC (For personal Computer)90-280VAC (For Home Appliances)
Frequency	50/60 Hz (Auto sensing)
OUTPUT	
Nominal Voltage	220/230VAC \pm 5%
Surge Power	11000VA
Frequency	50/60 Hz
Waveform	Pure Sine wave
Transfer Time	10ms(For personal Computer)20ms(For Home Appliances)
Peak Efficiency (PV to INV)	96%
Peak Efficiency (Battery to INV)	93%
Overload Protection	5s@ \geq 150% load; 10s@110%~150% load
Crest Factor	3:1
Admissible Power Factor	0.6~1 (inductive or capacitive)
BATTERY	
Battery Voltage	48VDC
Floating Charge Voltage	54VDC
OverCharge Protection	63VDC
Charging Method	CC/CV
Solar Charger & AC Charger	
Solar Charger TYPE	MPPT
Max. PV Array Power	5500 W
Max. PV Array Open Circuit Voltage	500VDC
PV Array MPPT Voltage Range	120VDC ~450VDC
Max. Solar Input Current	18A
Max. Solar Charge Current	100A
Max. AC Charge Current	60A
Max. Charge Current	100A
PHYSICAL	
Dimensions, D x W x H(mm)	482x290x113
Package Dimensions, D x W x H(mm)	565x380x190
Net Weight (Kgs)	10
Communication Interface	USB /RS 232/Dry-contact
ENVIRONMENT	
Operating Temperature Range	-10°C to 50°C
Storage temperature	-15°C ~ 60°C
Humidity	5% to 95% Relative Humidity(Non-condensing)

Product specifications are subject to change without further notice.