

AudioPressBox®

APB-112 IW-D-USB

- Active, in wall, AudioPressBox unit, 1 channel DANTE input, 4x USB-C outputs, 8x LINE/Mic outputs



FEATURES

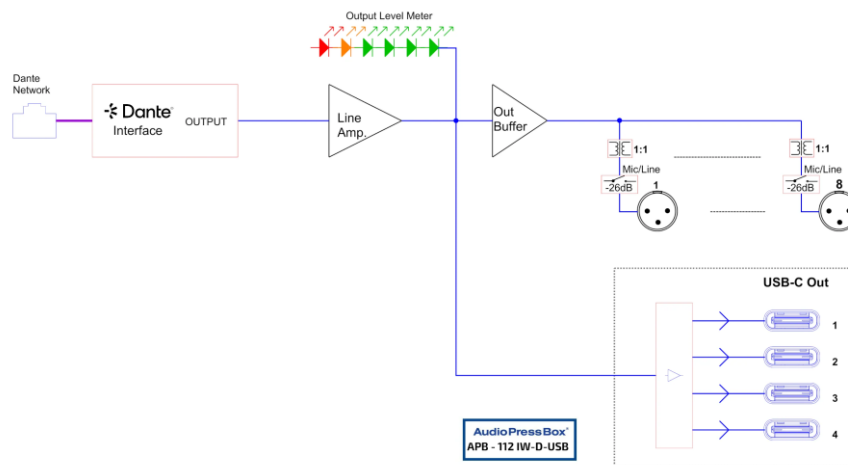
- 1 channel DANTE input - RJ45
- 8 high quality balanced, individually transformer isolated outputs.
- Each XLR output is switchable between Line or MIC level.
- 4 USB-C outputs
- the unit is powered only via PoE from DANTE network
- thanks to DANTE patching you can easily expand number of channels or number of outputs by adding other APB-112 IW-D-USB

ADVANTAGES

- **Professional**
APB is a sophisticated tool for professional audio distribution at press conferences, presentations and other events.
- **Dante**
1-channel Dante input, the unit is active and powered by a PoE
- **USB-C**
4 USB-C outputs

BLOCK DIAGRAM

Audio Press Box[®]



Audio Press Box APB-112 IW-D-USB		
Type	1 In 12 Out	
Groups	1	
Input section		
Inputs	1	
Input connectors	RJ45 - Dante	
PoE Requirement	YES	
Reference level	-18dBFS	
Output section		
<i>Analog Outputs</i>		
Outputs	8 Line/MIC level	
Output connectors	Balanced, XLR	
Nominal Output Level	+6dBu	
Maximum Output Level	+20dBu (no load)	+14dBu (600Ω)
Output impedance	Mic: 220 Ω	Line: 600 Ω
Transformer isolated outputs	Yes (each output)	
SNR	>70 dB	
Frequency Response	80Hz to 20kHz/-3dB	
<i>Digital Outputs</i>		
Outputs	4x USB Type C	
Compliant USB Specification	USB 2.0	
Supported Sampling Rates	8kHz, 11.025kHz, 16kHz, 22.05kHz, 32kHz, 44.1kHz, 48kHz	
Bit Depth	16-Bit	
Interface Powering	Bus powered (from connected USB host device)	
Charging capability	No	
Indicators		
Output section	Output level, Power	
Power		
Power Supply	PoE, Type 1, Class 3 (12,95W)	
Mechanical		
Dimensions (WxHxD)	280 x 138 x 50mm	
Weight	2700 g	