

# AudioPressBox®

## APB-112 OW-D-USB

- Active, on wall, AudioPressBox unit, 1 channel DANTE input, 4x USB-C outputs, 8x LINE/Mic outputs



### FEATURES

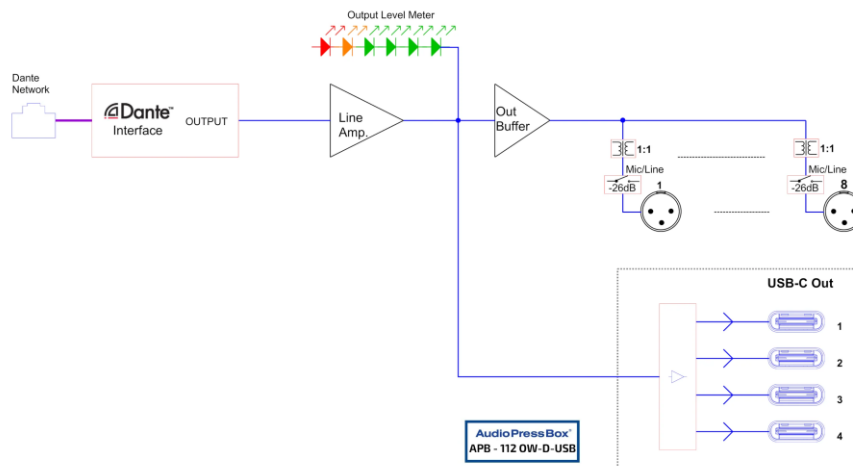
- 1 channel DANTE input - RJ45 ethercon
- 8 high quality balanced, individually transformer isolated outputs.
- Each XLR output is switchable between Line or MIC level.
- 4 USB-C outputs
- the unit is powered only via PoE from DANTE network
- thanks to DANTE patching you can easily expand number of channels or number of outputs by adding other APB-112 OW-D-USB-US

### ADVANTAGES

- **Professional**  
APB is a sophisticated tool for professional audio distribution at press conferences, presentations and other events.
- **Dante**  
1-channel Dante input, the unit is active and powered by a PoE
- **USB-C**  
4 USB-C outputs

# Audio Press Box<sup>®</sup>

## BLOCK DIAGRAM



Audio Press Box APB-112 OW-D-USB	
Type	1 in 12 out
Groups	1
<b>Input section</b>	
Inputs	1
Input connectors	RJ45 - Dante
PoE Requirement	YES
Reference level	-18dBFS
<b>Output section</b>	
Analog Outputs	
Outputs	8 Line/ MIC level
Output connectors	Balanced, XLR
Nominal Output Level	+6dBu
Maximum Output Level	+20dBu (no load) +14dBu (600Ω)
Output impedance	Mic: 220Ω Line: 600Ω
Transformer isolated outputs	Yes ( <b>each output</b> )
SNR	>70dB
Frequency Response	80Hz to 20kHz/-3dB
<b>Digital Outputs</b>	
Output connector	USB Type C
Compliant USB Specification	USB 2.0
Supported Sampling Rates	8kHz, 11.025kHz, 16kHz, 22.05kHz, 32kHz, 44.1kHz, 48kHz
Bit Depth	16-Bit
Interface Powering	Bus powered (from connected USB host device)
Charging capability	No
<b>Indicators</b>	
Output section:	Output level. Power
<b>Power</b>	
Power Supply	PoE, Class 3
<b>Mechanical</b>	
Dimensions (WxHxD)	280x 138x 54mm
Weight	2,4 kg