



CCXXWYYY-YYYYCG DALI

Constant Current Dimmable Driver

Model:CCXXWYYY-YYYYCG DALI



Model	Output Current	Input Current	Input Power	Output Power Range	PF	Efficiency	Output Voltage	No load Voltage		
CC14W200-350CG DALI	200mA	≅ 0.06A	≅ 10.7W	5.6-8W	≅ 0.8	≅ 82%	28-40V	55V		
	250mA	≅ 0.07A	≅ 13.0W	7.0-10.0W		≅ 83%				
	300mA	≅ 0.09A	≅ 15.5W	8.4-12.0W	≅ 0.85	≅ 84%				
	350mA	≅ 0.1A	≅ 17.6W	9.8-14W	≅ 0.9	≅ 84%				
CC20W350-500CG DALI	350mA	≅ 0.1A	≅ 17.6W	9.8-14W	≅ 0.85	≅ 84%			28-40V	55V
	400mA	≅ 0.11A	≅ 20.0W	11.2-16W	≅ 0.9	≅ 85%				
	450mA	≅ 0.13A	≅ 22.5W	12.6-18W	≅ 0.92	≅ 85%				
500mA	≅ 0.14A	≅ 25.0W	14-20W	≅ 86%						
CC32W500-800CG DALI	500mA	≅ 0.14A	≅ 25.0W	14-20W	≅ 0.9	≅ 84%	28-40V	55V		
	600mA	≅ 0.17A	≅ 30.0W	16.8-24W	≅ 0.92	≅ 85%				
	700mA	≅ 0.19A	≅ 34.2W	19.6-28W		≅ 86%				
CC40W850-1000CG DALI	800mA	≅ 0.21A	≅ 39.0W	22.4-32W	≅ 0.95	≅ 86%				
	850mA	≅ 0.23A	≅ 41.0W	23.8-34W	≅ 0.92	≅ 86%				
	900mA	≅ 0.24A	≅ 43.5W	25.2-36W		≅ 0.95			≅ 87%	
	950mA	≅ 0.25A	≅ 45.5W	26.6-38W	≅ 87%					
	1000mA	≅ 0.26A	≅ 48.0W	28-40W						

* Test result @230V, 50Hz, Full Load.

1. Parameters

category	Item	Technical Norm
Features	Output Type	Constant Current
	Dimming Type	DALI 2
	Output Features	Isolation
	IP Grade	IP20
	Insulation Class	Class II
Input	Rated Input Voltage	220-240VAC or 230-280VDC
	Range of Input Voltage	198-264VAC
	Frequency	50/60Hz
	Input Current	≤0.26A (230VAC, full load)
	Input Power	≤48W (230VAC, full load)
	Power Factor	≥0.95 (230VAC, full load)
	THD	≤15% (230VAC, full load)

	No-load Power Consumption	≤0.5W @230VAC (Dim to off)
	Inrush Current: CC14W200-350CG DALI CC20W350-500CG DALI CC32W500-800CG DALI CC40W850-1000CG DALI	≤10A/216us (230VAC, full load) ≤15A/256us (230VAC, full load) ≤20A/440us (230VAC, full load) ≤22A/300us (230VAC, full load)
	Connected quantity of 16A Breaker: CC14W200-350CG DALI CC20W350-500CG DALI CC32W500-800CG DALI CC40W850-1000CG DALI	48pcs/type B ;80pcs / type C @ 230Vac 32pcs/type B ;53pcs / type C @ 230Vac 24pcs/type B ;40pcs / type C @ 230Vac 22pcs/type B ;36pcs / type C @ 230Vac
	Output	
	Max. Output Power	40W
	Current Ripple (<120Hz)	±5% (Imax-Imin)/(Imax+Imin)
	PstLM	≤1
	SVM	≤0.4
	Current Accuracy	±5%
	Started Delay Time	≤0.5S (230VAC,full load)
Control Method	PUSH dimming terminal	PUSH dimming terminal (Max. lead wire length: 20m,same port of DALI)
	DALI function	DALI dimming (Max. lead wire length: 300m) logarithm or linear dimming curve selectable
	Dimming range	DALI dimming: 1%-100% , Dim to off .
Protection	Short Circuit Protection	Auto Recovery
	Overload Protection	Auto Recovery
	No-load Protection	Auto Recovery
	Insulation voltage	3000V 5mA 60S between P-S
	Insulation resistance	>100M ohm @ 500VDC
	Leakage current	< 250μA, I/P to O/P or I/P to PE @230V input
Environment	Ta/Operation Temperature	-20....+50℃
	Ts/Storage Temperature	-40....+85℃
	Tc/Enclosure Temperature	75℃ @(CC14W200-350CG ,CC20W350-500CG) 85℃ @(CC32W500-800CG ,CC40W850-1000CG)
	Humidity	10%... 90%RH
	Atmosphere	86-108KPa
Construction	Connection Method	Push-in Terminal
	Installation	Build-in & Independent
	PRI Wire preparation	0.75-1.5 [□]
	SEC Wire preparation	0.5-0.75 [□]
	Dimension	Independent:137.6*44*25.5mm (L*W*H) Built in:97.8*44*25.5mm(L*W*H)
Standards	Certification	CE ENEC SAA

	Safety Standards	EN61347-1:2015/A1:2021, EN61347-2-13:2014/A1:2017, EN62384:2006/A1:2009, AS61347.2.13:2018, AS/NZS61347.1:2016 IncA1
	EMC Standards	EN IEC 55015:2019/A1:2020, EN IEC 61000-3-2:2019, EN61000-3-3:2013/A1:2019, EN61547:2009
	Performance	EN62384
	Surge	L-N/2KV
Others	RoHS	complied to 2011/65/EU
	Life Time	50000h Ta /Tc
	Warranty	5years , F.R. < 10000ppm

Remark: 1.All Parameters, if not specified, are measured at 230VAC/50Hz and 25°C ambient temperature.
 2.LED Driver is a component of the luminaires, Luminaires and wire layout will affect the EMC, please check the EMC with end products again.

2. Label

KGP CC14W200-350CG DALI LED Dimmable Driver

KGP Electronics GmbH
Hueckstraße 19
DE-58511 Lüdenscheid

SEC = U_{out}=55V LED Only

OFF-ON

PIN1	PIN2	rated I _{out} [mA]	Rated P _{out} [W]	U _{reg} [V]	U _{in} /f _{in}	I _{in} [A]	ta [°C]	tc [°C]	λ
OFF	OFF	200	8	28-40	220-240V 50/60Hz	0.06	-20...+60	75	0.8C
OFF	ON	250	10			0.07			0.85C
ON	OFF	300	12			0.09			0.9C
ON	ON	350	14			0.1			0.9C

■ DA
■ DA
■ N
■ L
PRI ~

CE EAC DALI 2 SELV

8-9mm PRI 0.75-1.5 SEC 0.5-1.5

KGP CC20W350-500CG DALI LED Dimmable Driver

KGP Electronics GmbH
Hueckstraße 19
DE-58511 Lüdenscheid

SEC = U_{out}=55V LED Only

OFF-ON

PIN1	PIN2	rated I _{out} [mA]	Rated P _{out} [W]	U _{reg} [V]	U _{in} /f _{in}	I _{in} [A]	ta [°C]	tc [°C]	λ
OFF	OFF	350	14	28-40	220-240V 50/60Hz	0.11	-20...+60	75	0.85C
OFF	ON	400	16			0.13			0.9C
ON	OFF	450	18			0.13			0.92C
ON	ON	500	20			0.14			0.92C

■ DA
■ DA
■ N
■ L
PRI ~

CE EAC DALI 2 SELV

8-9mm PRI 0.75-1.5 SEC 0.5-1.5

KGP CC32W500-800CG DALI LED Dimmable Driver

KGP Electronics GmbH
Hueckstraße 19
DE-58511 Lüdenscheid

SEC = U_{out}=55V LED Only

OFF-ON

PIN1	PIN2	rated I _{out} [mA]	Rated P _{out} [W]	U _{reg} [V]	U _{in} /f _{in}	I _{in} [A]	ta [°C]	tc [°C]	λ
OFF	OFF	500	20	28-40	220-240V 50/60Hz	0.14	-20...+60	85	0.9C
OFF	ON	600	24			0.17			0.92C
ON	OFF	700	28			0.19			0.95
ON	ON	800	32			0.21			0.95

■ DA
■ DA
■ N
■ L
PRI ~

CE EAC DALI 2 SELV

8-9mm PRI 0.75-1.5 SEC 0.5-1.5

KGP CC40W850-1000CG DALI LED Dimmable Driver

KGP Electronics GmbH
Hueckstraße 19
DE-58511 Lüdenscheid

SEC = U_{out}=55V LED Only

OFF-ON

PIN1	PIN2	rated I _{out} [mA]	Rated P _{out} [W]	U _{reg} [V]	U _{in} /f _{in}	I _{in} [A]	ta [°C]	tc [°C]	λ
OFF	OFF	850	34	28-40	220-240V 50/60Hz	0.23	-20...+60	85	0.92C
OFF	ON	900	36			0.24			0.95
ON	OFF	950	38			0.25			0.95
ON	ON	1000	40			0.26			0.95

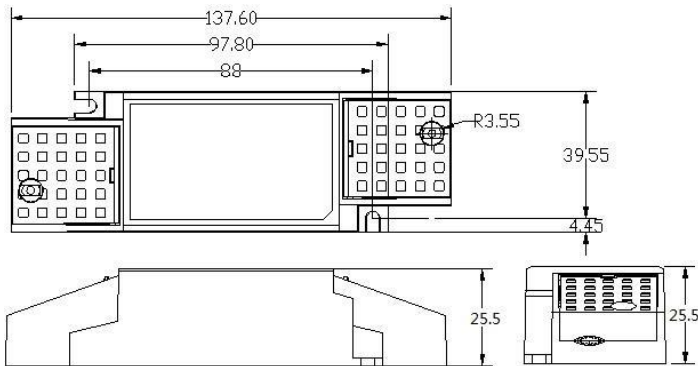
■ DA
■ DA
■ N
■ L
PRI ~

CE EAC DALI 2 SELV

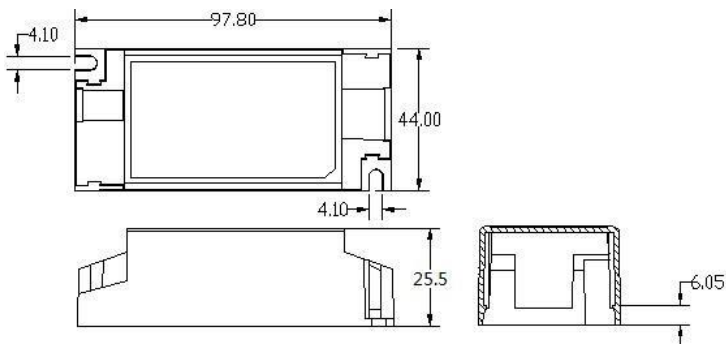
8-9mm PRI 0.75-1.5 SEC 0.5-1.5

3. Dimension (Unit: mm)

Independent type:



Built in type:



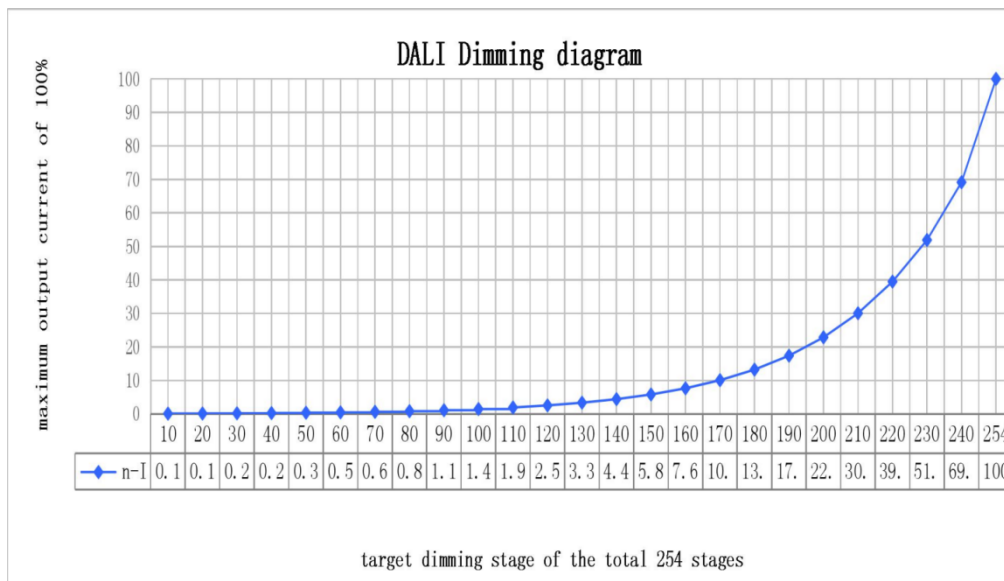
4. DALI dimming curve

5.1 formula for DALI dimming.

$$X(n) = 10^{\left[\frac{(n-1)}{(253/3)}\right] - 1}$$

Here, n means the target dimming stage of the total 254 stages.

X(n) means the percent of the maximum output current.



5. Packing information

Carton L*W*H(mm)	Pcs/Carton	Net weight/ Pcs(kg)	Net weight/ Carton(kg)	Gross weight / Carton(kg)
450*240*200	85	0.12	10.2	11.85

6. Wiring Diagram

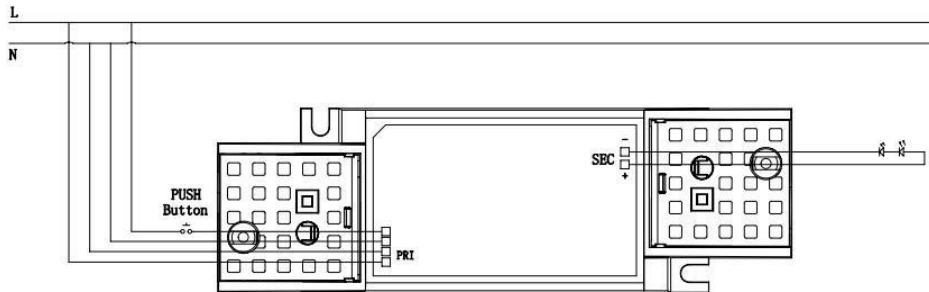


Fig. A: Push Dimming

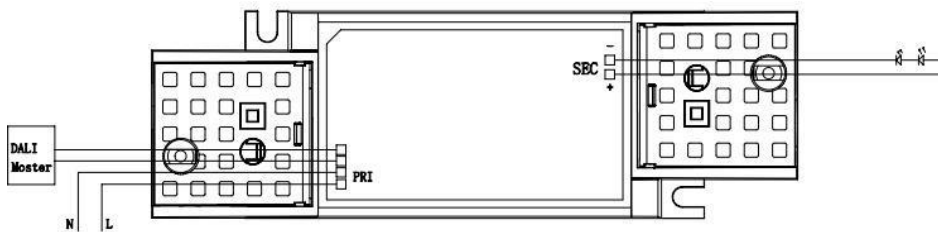


Fig. B: DALI Dimming

7. Wiring instructions

- All connections must be kept as short as possible to ensure good EMI behaviour
- Mains leads should be kept apart from LED Driver and other leads (ideally 5 – 10 cm distance)
- Advice the maximum length of output wires is 3 m
- Secondary switching is not permitted (Except for constant voltage)
- Incorrect wiring can damage LED modules.
- The wiring must be protected against short circuits to earth (sharp edged metals parts, metal cable clips, louver, etc