

# Hi-MO 6

Explorer

## LR5-54HTB 410~425M

- Suitable for distributed projects
- Excellent outdoor power generation performance
- Aesthetic appearance with all black module design



15-year Warranty for  
Materials and Processing



25-year Warranty for Extra  
Linear Power Output

### Complete System and Product Certifications

IEC 61215, IEC 61730, UL 61730

ISO9001:2015: ISO Quality Management System

ISO14001: 2015: ISO Environment Management System

ISO45001: 2018: Occupational Health and Safety

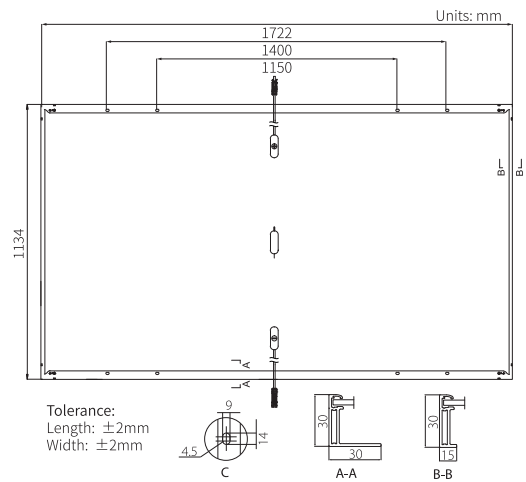
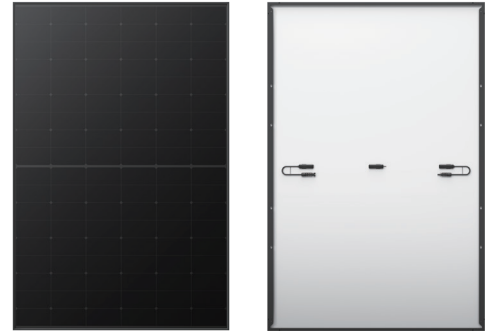
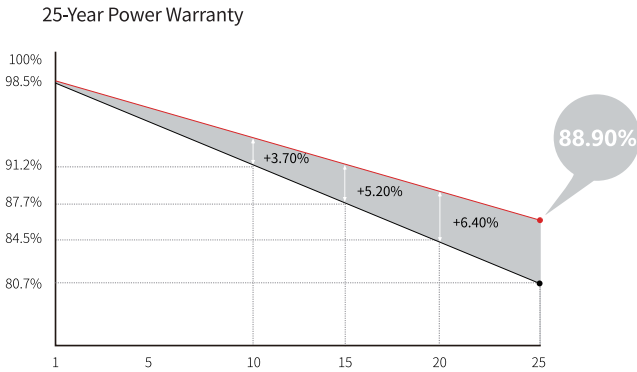
IEC62941: Guideline for module design qualification and type approval

**LONGI**



<b>21.8%</b> MAX MODULE EFFICIENCY	<b>0~3%</b> POWER TOLERANCE	<b>&lt;1.5%</b> FIRST YEAR POWER DEGRADATION	<b>0.40%</b> YEAR 2-25 POWER DEGRADATION
--	-----------------------------------	--	--

### Additional Value



### Mechanical Parameters

Cell Orientation	108 (6×18)
Junction Box	IP68, three diodes
Output Cable	4mm <sup>2</sup> , ±1200mm length can be customized
Glass	Single glass, 3.2mm coated tempered glass
Frame	Anodized aluminum alloy frame
Weight	20.8kg
Dimension	1722×1134×30mm
Packaging	36pcs per pallet / 216pcs per 20' GP / 936pcs per 40' HC

### Electrical Characteristics

STC : AM1.5 1000W/m<sup>2</sup> 25°C      NOCT : AM1.5 800W/m<sup>2</sup> 20°C 1m/s      Test uncertainty for Pmax: ±3%

Module Type	LR5-54HTB-410M		LR5-54HTB-415M		LR5-54HTB-420M		LR5-54HTB-425M	
	STC	NOCT	STC	NOCT	STC	NOCT	STC	NOCT
Maximum Power (Pmax/W)	410	306	415	310	420	314	425	318
Open Circuit Voltage (Voc/V)	38.63	36.27	38.83	36.46	39.03	36.65	39.23	36.83
Short Circuit Current (Isc/A)	13.70	11.07	13.78	11.13	13.85	11.19	13.93	11.25
Voltage at Maximum Power (Vmp/V)	32.36	29.53	32.56	29.71	32.76	29.89	32.96	30.08
Current at Maximum Power (Imp/A)	12.67	10.37	12.75	10.44	12.83	10.50	12.90	10.56
Module Efficiency(%)	21.0		21.3		21.5		21.8	

### Operating Parameters

Operational Temperature	-40°C ~ +85°C
Power Output Tolerance	0 ~ 3%
Voc and Isc Tolerance	±3%
Maximum System Voltage	DC1500V (IEC/UL)
Maximum Series Fuse Rating	25A
Nominal Operating Cell Temperature	45±2°C
Protection Class	Class II
Fire Rating	UL type 1 or 2 IEC Class C

### Mechanical Loading

Front Side Maximum Static Loading	5400Pa
Rear Side Maximum Static Loading	2400Pa
Hailstone Test	25mm Hailstone at the speed of 23m/s

### Temperature Ratings (STC)

Temperature Coefficient of Isc	+0.050%/°C
Temperature Coefficient of Voc	-0.230%/°C
Temperature Coefficient of Pmax	-0.290%/°C