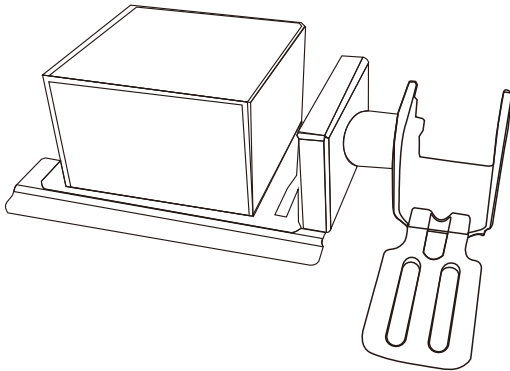




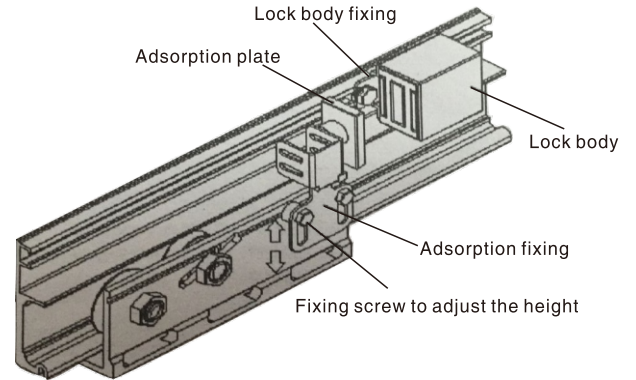
YLI ELECTRONIC

# Magnetic Lock for automatic door

## Model: YAD-161ML(24V)



### 5 Accessories description and installation



### 1 Safety instructions

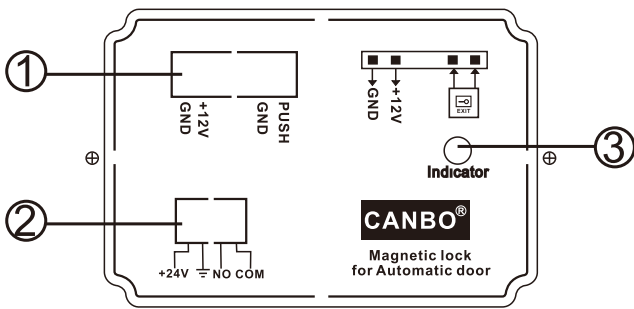


Thank you for choosing us. Please read this instruction before your installation

### 2 Character

- Concise design and easy to install
- Demagnetizing circuit keeps no magnet effect
- Install position can be adjusted freely on the automatic door
- Stationary frame can be adjusted freely to meet the lock position
- Power supply: AC/DC 24V, with 12V DC output for access control
- Build in Status indicator
- Maximum tension:80kg/175LBS
- Stable and low power consumption

### 3. Panel introduction

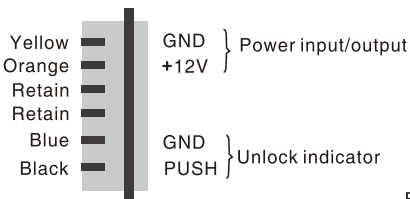


① 4PIN interface

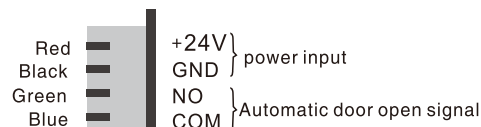
② 4PIN interface

③ Indicator(status —red): (1). Lock status: light on  
(2). Unlock status: light off

### 4 Wiring instructions



①



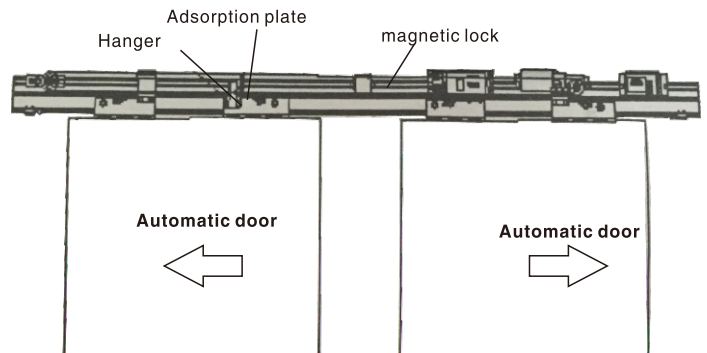
②

#### A. Accessories description

1. Lock body and Adsorption plate are fixed by fixing part
2. The two screws are used to fix the Adsorption plate. And the adsorption plate height can be adjusted to match the lock body

#### B. Installation description

1. Together with controller square nut, put the up lock body fixing square nut on the back plate.
2. Fix the lock body with screw after you put the lock body in to the back plate
3. Install the adsorption plate on the sliding door Hanger and adjust it to the same height with the lock body.



### 6 Remark:

1. Please confirm the Voltage and positive/negative poles of the power supply to avoid burning the lock parts
2. Confirm the adsorption plate is not stuck by other equipment or frame when the automatic door move left and right
3. It is not allowed to open the lock and repair it or change the electric character.

### 7 Dimension:

- Lock body:71\*65\*45mm
- Adsorption plate:60\*32\*10mm
- Movable Frame:Min59-max88:118mm
- Adsorption plate frame:107\*35\*38mm