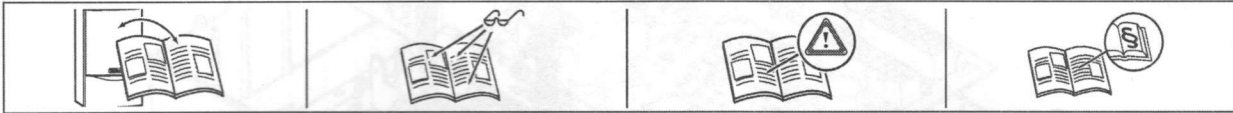
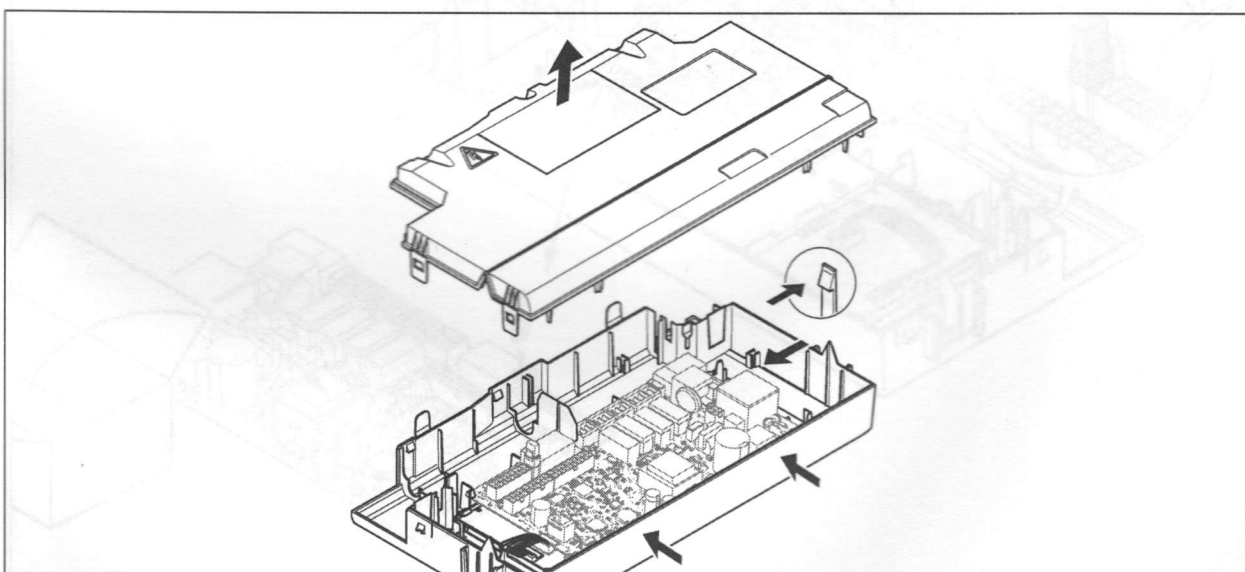
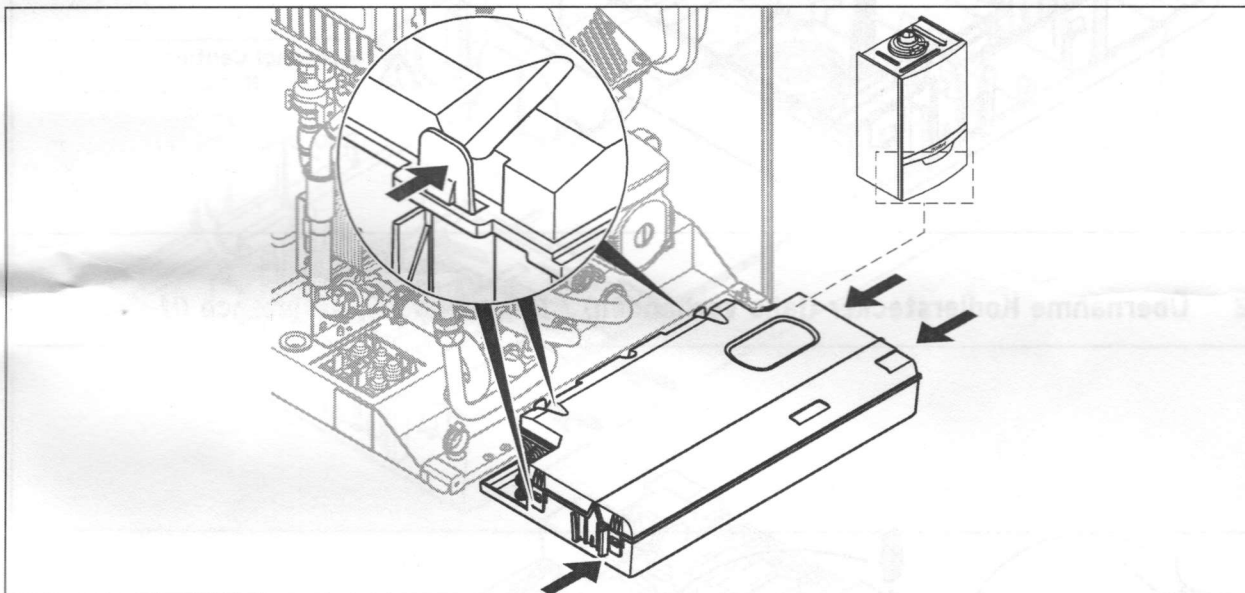


Montage- und Einstellanleitung
Installation and set-up manual

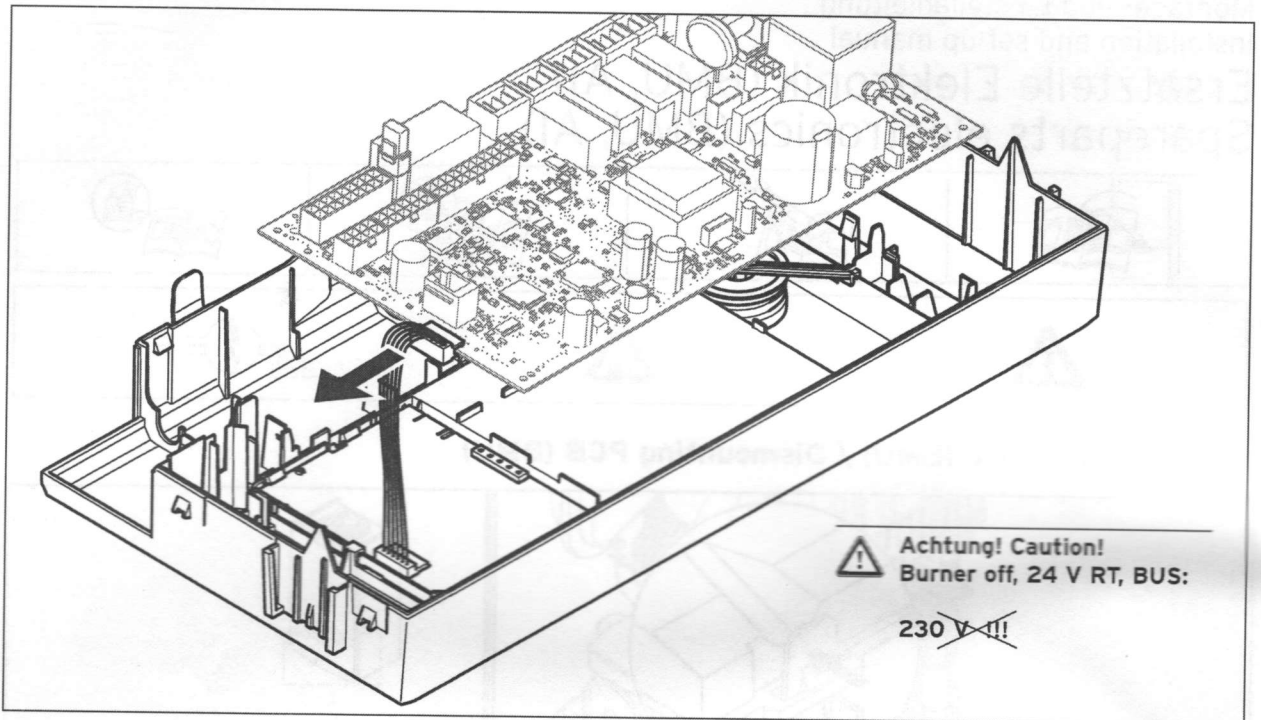
Ersatzteile Elektronik (BMU, AI) Spareparts electronics (BMU, AI)



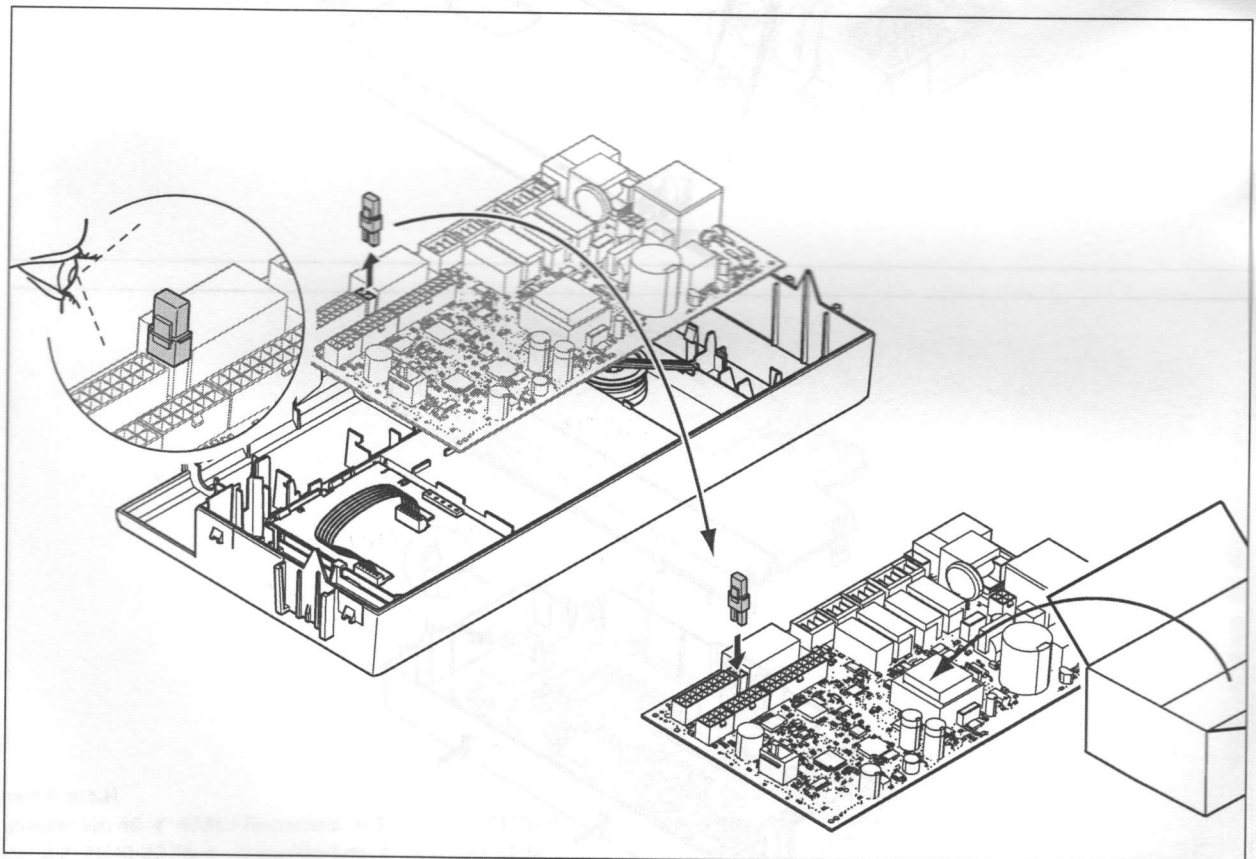
1 Ausbau Platine (BMU) / Dismounting PCB (BMU)



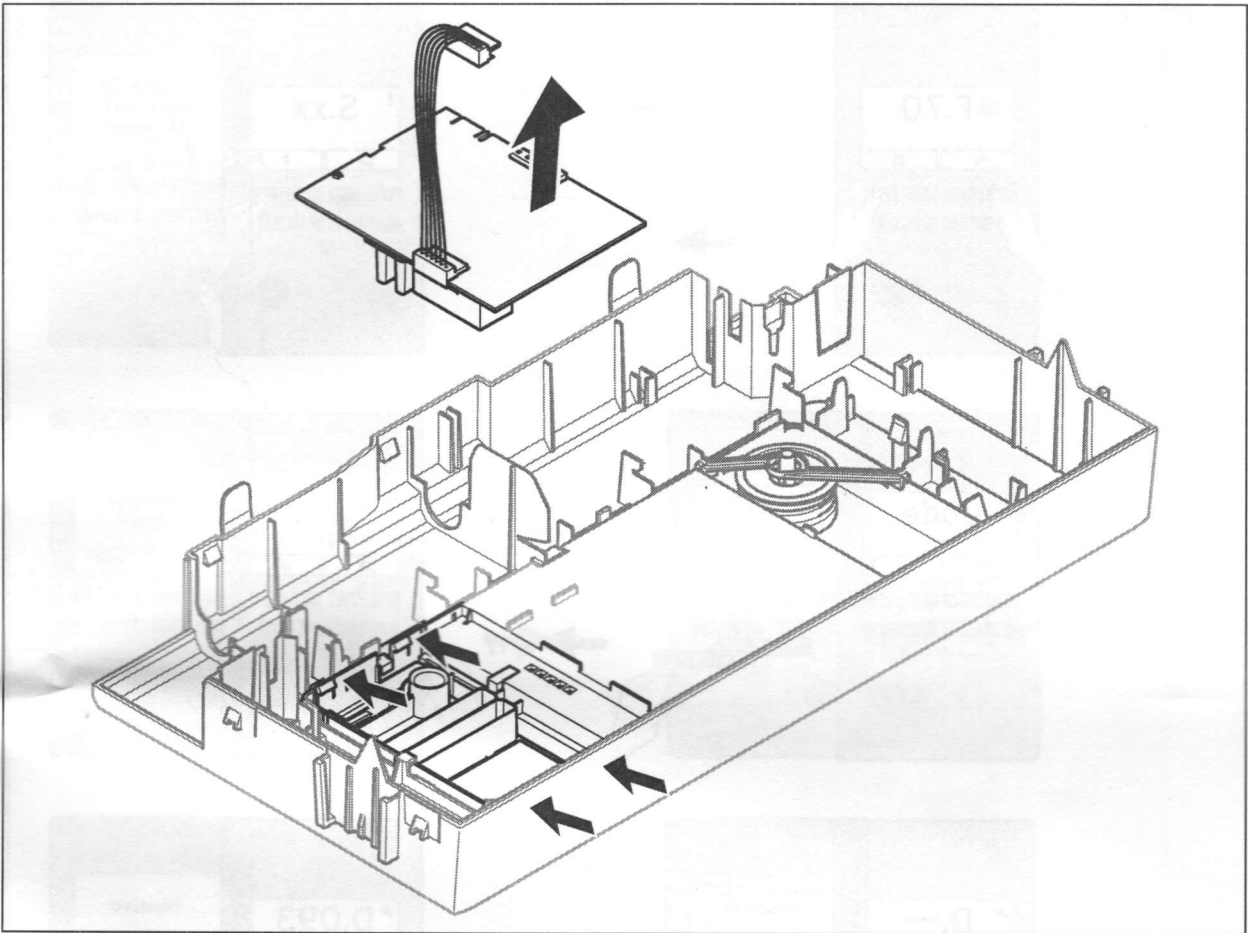
Ausbau Platine (BMU) / Dismounting BMU
Übernahme Kodierstecker / Replug coded plug



2 Übernahme Kodierstecker (falls vorhanden) / Replug coding resistance (if available)

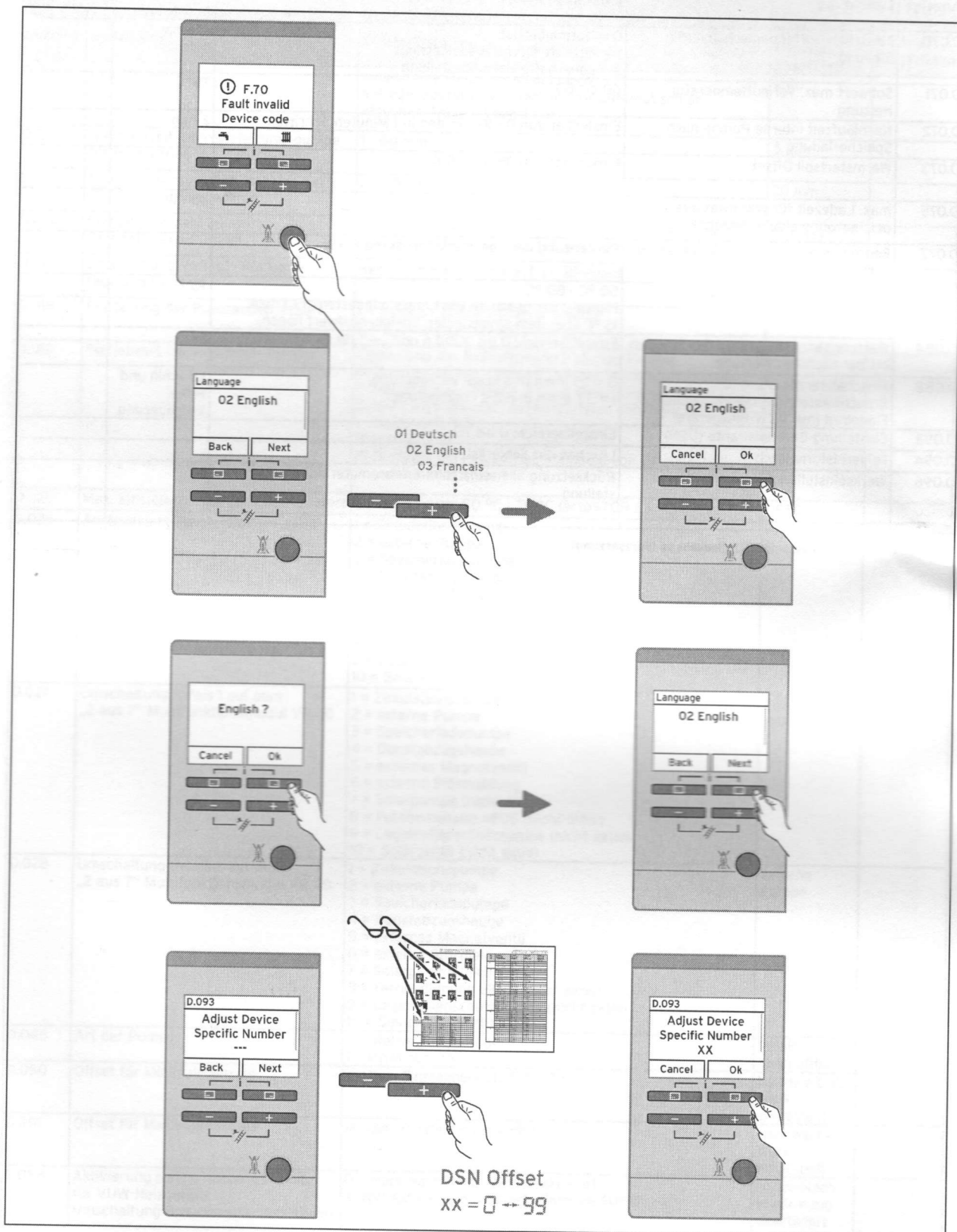


3 Ausbau Display (AI) / Dismounting display (AI)



GB: Adjustment of Device Specific Number (DSN)

Diagnosicsystem „plus“



GB: Adjustment appliances, Adjustment to the heating system

Notice: Depending on the version at hand, there is a possibility that not all setting options are available.

Code	Parameters	Adjustable values	Factory setting spare part	Your own setting
D.000	Heating partial load	Adjustable heating partial load in kW Auto: Boiler automatically adjusts max. partial load to current system demand	Auto	
D.001	Overrun time of internal heating pump for heating mode	1 - 60 min	5 min	
D.002	Max. burner anti-cycling time heating at 20 °C flow temperature	2 - 60 min	20 min	
D.014	Target pump speed (high-efficiency pump)	Setting for internal high efficiency pump in %: 0 = auto; 1 = 53; 2 = 60; 3 = 70; 4 = 85; 5 = 100	0 (auto)	
D.017	Heating flow/return regulation changeover	Control type: 0 = flow, 1 = return	Flow	
D.018	Pump operating mode setting	1 = Comfort (continuously operating pump) 3 = Eco (intermittently operating pump)	Eco	
D.019	Operating mode of 2-stage pump	Setting for operating mode of 2-stage pump: 0 = Burner operation = stage 2, Flow/overrun = stage 1; 1 = Heating + Overrun = stage 1, Hot water = stage 2, 2 = Like 1, but rotational speed during heating mode depending on heating partial load, 3 = always stage 2 4 = Rotational speed during heating mode depending on heating partial load, otherwise always stage 1	2	
D.020	Max. setting for cylinder target value	Setting range: 50 °C - 70 °C (actoSTOR 65 °C)	65 °C	
D.026	Auxiliary relay control	1 = Circulation pump 2 = External pump 3 = Cylinder charging pump 4 = Extractor hood 5 = External solenoid valve 6 = External fault message 7 = Solar pump (not active) 8 = eBUS remote control (not active) 9 = Legionella protection pump (not active) 10 = Solar valve (not active)	External pump	
D.027	Switching of relay 1 on the "2 in 7" multi-functional module VR 40	1 = Circulation pump 2 = External pump 3 = Cylinder charging pump 4 = Extractor hood 5 = External solenoid valve 6 = External fault message 7 = Solar pump (not active) 8 = eBUS remote control (not active) 9 = Legionella protection pump (not active) 10 = Solar valve (not active)	Circulation pump	
D.028	Switching of relay 2 on the "2 in 7" multi-functional module VR 40	1 = Circulation pump 2 = External pump 3 = Cylinder charging pump 4 = Extractor hood 5 = External solenoid valve 6 = External fault message 7 = Solar pump (not active) 8 = eBUS remote control (not active) 9 = Legionella protection pump (not active) 10 = Solar valve (not active)	External pump	
D.046	Pump type	0 = Disable pump with relay 1 = Disable pump with PWM	Disable pump with relay	
D.050	Offset for minimum speed	In rpm, setting range: 0 to 3000	Nominal value set in factory	
D.051	Offset for maximum speed	In rpm, setting range: -990 to 0	Nominal value set in factory	
D.058	Activation of solar post-heating for VUW boilers; Switch hot water mode	0 = Solar post-heating mode deactivated 3 = DHW activation target value minimum 60 °C	Solar post-heating mode deactivated	

Table 1: Adjustable values of the diagnosis codes (continued)

GB: Adjustment appliances, Adjustment to the heating system

Code	Parameters	Adjustable values	Factory setting spare part	Your own setting
D.070	Setting diverter valve position	0 = Normal operating mode 1 = Mid-position (parallel operation) 2 = Continuous heating adjustment	Normal operating mode	
D.071	Target value maximum heating flow temperature	40 to 80 °C	75 °C	
D.072	Internal pump overrun after cylinder charging	Adjustable from 0 - 10 minutes in increments of 1 minute	2 mins	
D.073	Warm start target offset	Adjustable from -15 K to 5 K	0	
D.075	Max. charging time for domestic hot water cylinder without independent control system	20 - 90 min	45 mins	
D.077	Limit on cylinder charging output in kW	Limit on cylinder charging output in kW		
D.078	Limit on cylinder charging temperature in °C	50 °C - 80 °C Note: The chosen value must be at least 15 K or 15 °C above the set cylinder target value.	75 °C	
D.084	Maintenance indicator: Number of hours until the next maintenance	Setting range: 0 to 3000 hrs and "—" for deactivated	"—"	
D.088	Start delay for hot water draw-off detection via impeller (VUW boilers only)	0 = 1.5 l/min and no delay, 1 = 3.7 l/min and 2 s delay	1.5 l/min and no delay	
D.093	Invalid device specific number (DSN)	Setting range: 0 to 99		
D.094	Delete fault history	Delete fault list		
D.096	Factory setting	Reset all adjustable parameters to default setting		

Table 1: Adjustable values of the diagnosis codes (continued)