

Calipers



TESA
TECHNOLOGY

The essential instrument

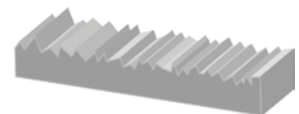
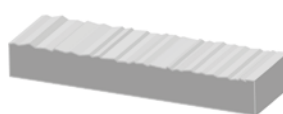
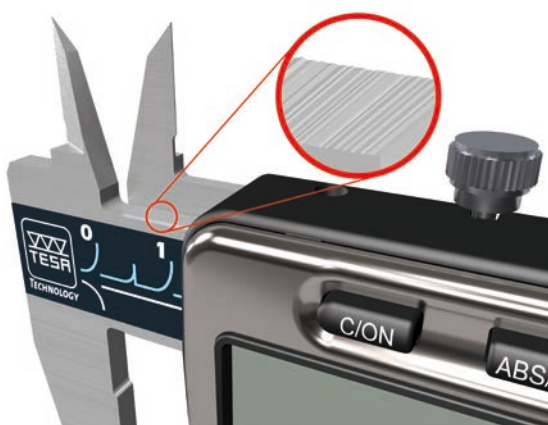
Calipers are the most popular measuring instruments used worldwide. Owing to their simple construction, ease of handling and secure operation, they are highly appreciated by all kinds of users.

With its wide variety of models, TESA wishes to offer everyone the opportunity to find the right instrument and thus, more generally, to meet all the requirements that modern metrology needs. Dial, digital or vernier? With or without data sending management? For which application types? These are typical requests that the range of calipers tries to satisfy by offering products that are as close as possible to the daily needs of the different users.



Smooth operation of the slider

The beam of each instrument is specially ground in order to obtain a sliding quality higher than the average of the instruments available on the market. Therefore, the flawless guide of the slider on the beam ensures a silky-smooth operation allowing a much more precise positioning whilst preventing the measuring jaws from tilting.



Smooth gliding of the slider for optimum operating comfort with ground beams (left) compared to standard rectified beams (right).

Calipers

A robust construction

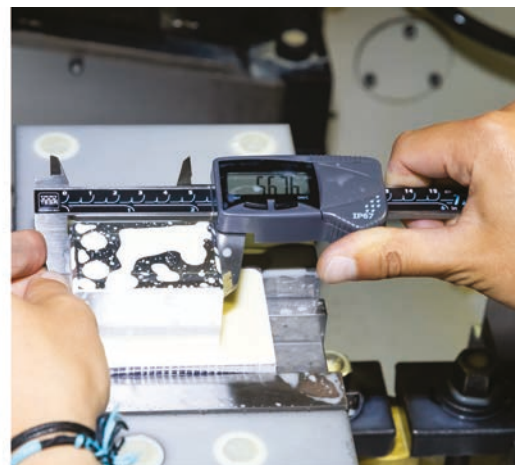
All models incorporate industry accepted materials perfectly suited to the production of traditional components. Since these instruments are generally used frequently, it is essential that their resistance is guaranteed on the long term. A judicious choice of material combined with appropriate thermal treatments, ensures high resistance to abrasion and corrosion.

Furthermore, in harsh environments such as workshops, the instruments are often subject to all kinds of substances (oil, water, etc). Such conditions are not optimal for instruments containing electronic components. This is the reason why some of the digital models in the range have been designed with a high degree of protection (IP67) to guarantee the longevity of the instrument despite its possible exposure to various projections and intense solicitations.

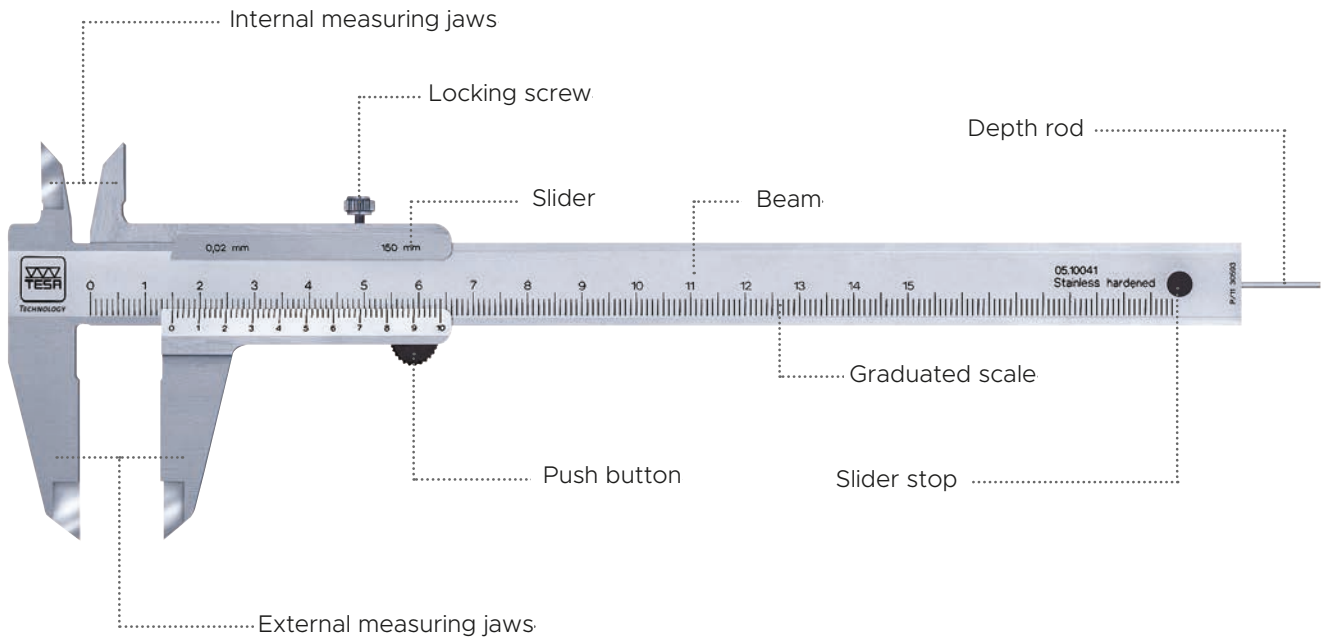


Comfortable handling

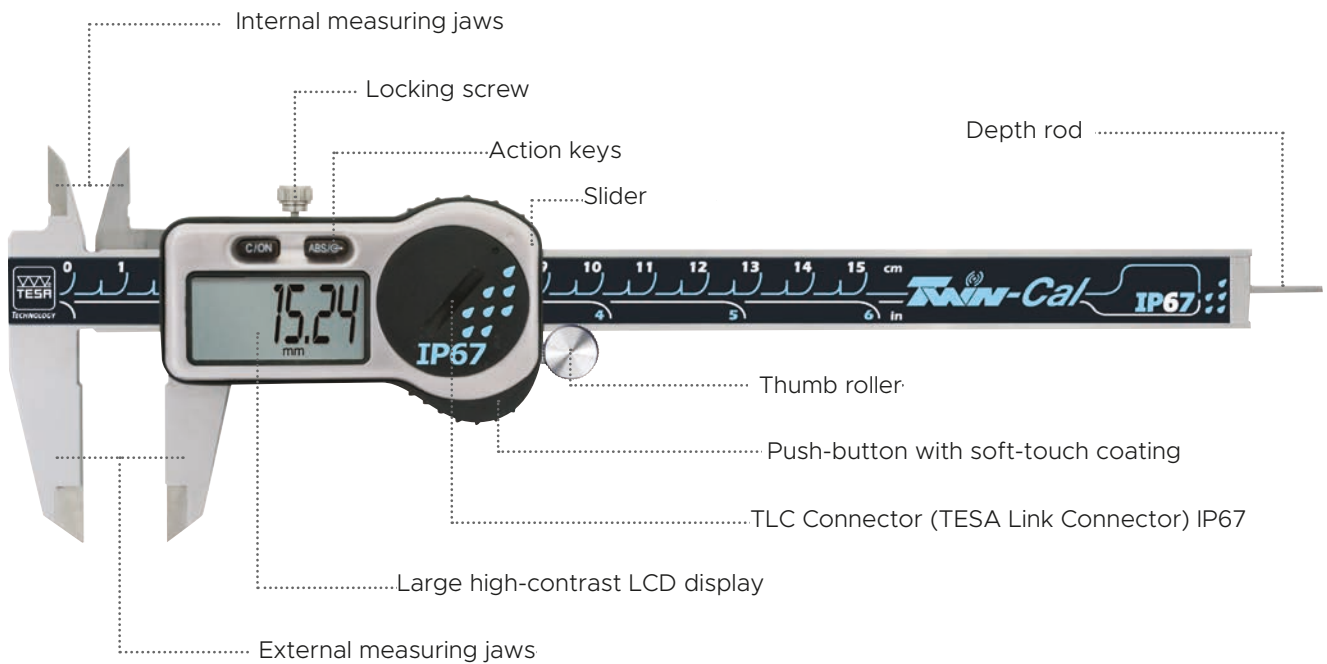
Such instruments are generally used several times a day. Therefore, user comfort is definitely an important factor! Most of our instruments have a ergonomic grip for ease of use.



Vernier caliper

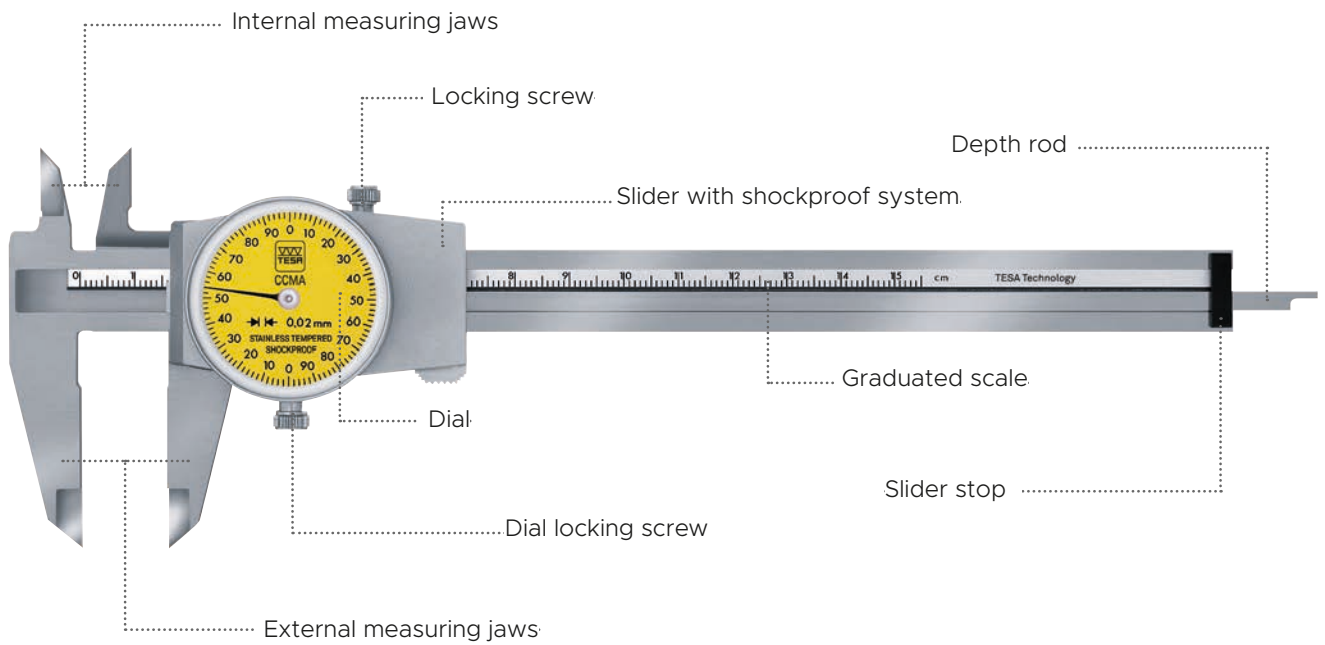


Digital caliper (TWIN-CAL IP67)



Calipers

Dial caliper



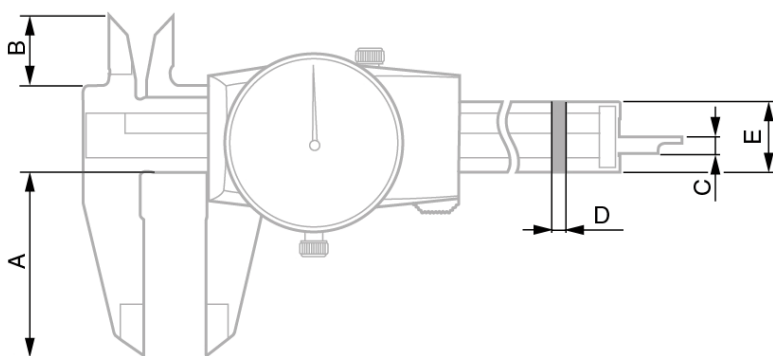
Universal dial models, metric

- INSTRUMENT
 - Perfect operation of the slider for a silky-smooth operation
 - Robust construction with housing and protection of the gear mechanism
 - Integrated shockproof system guaranteeing longevity and stability of results over time
- MEASUREMENT
 - Good reading with big high-contrast dial



Standard	ISO 13385-1:2019
Maximum permissible errors	L = length in mm $0 < L \leq 100: \pm 20 \mu\text{m}$ $100 < L \leq 300: \pm 30 \mu\text{m}$
Material	Hardened stainless steel Gear mechanism made of hardened, ground steel
Dial	\varnothing 32 mm Rotary With locking screw
Particular characteristic(s)	Integrated shockproof system With locking screw
Included in delivery	Measuring report Declaration of conformity

Universal calipers



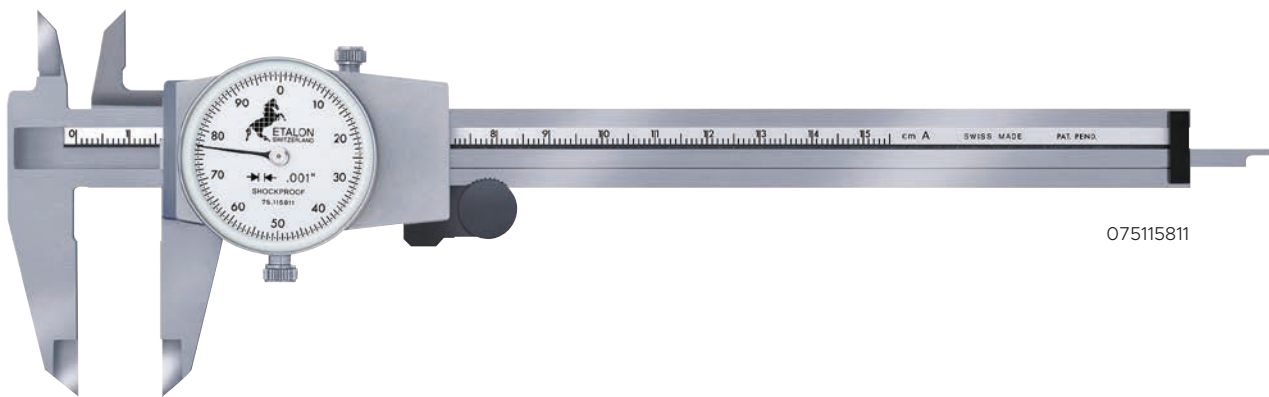
Part number	Measuring range, mm	Resolution mm	Travel / revolution, mm	Thumb roller	Material	A mm	B mm	C mm	D mm	E mm
00510050	150	0,01	1	Without	Metal	40	13	1,5 x 1,8	3,2	15,5
075115821	150	0,02	1	Without	Metal	40	13	1,5 x 1,8	3,2	15,5
00510008	150	0,02	2	Without	Metal	40	13	1,5 x 1,8	3,2	15,5
00510004	150	0,02	2	Without	Plastic	40	13	1,5 x 1,8	3,2	15,5
00510045	200	0,02	2	With	Metal	50	18,6	1,5 x 1,8	3,6	15,5
00510046	300	0,02	2	With	Metal	64	20,6	1,5 x 1,8	4	15,5

Accessories

Part number	Designation
00560013	Depth foot for universal digital or dial calipers of 150 mm

Universal dial models, imperial

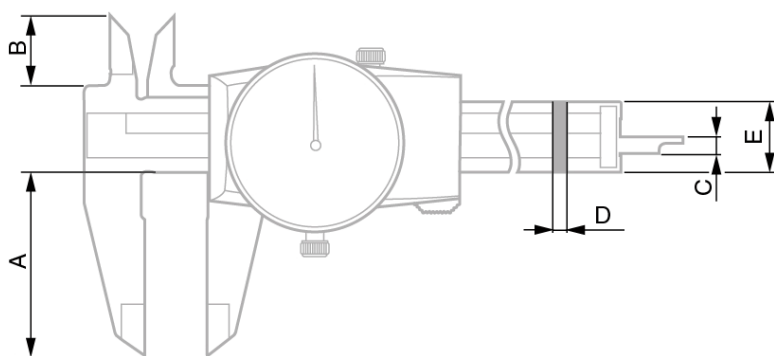
- INSTRUMENT
 - Perfect operation of the slider for a silky-smooth operation
 - Robust construction with housing and protection of the gear mechanism
 - Integrated shockproof system guaranteeing longevity and stability of results over time
- MEASUREMENT
 - Good reading with big high-contrast dial



075115811

Standard	ISO 13385-1:2019
Maximum permissible errors	L = length in in $0 < L \leq 4: \pm 20 \mu\text{m}$ $4 < L: \pm 30 \mu\text{m}$
Material	Hardened stainless steel Gear mechanism made of hardened, ground steel
Dial	\varnothing 1.2 in Rotary With locking screw
Particular characteristic(s)	Integrated shockproof system With locking screw
Included in delivery	Measuring report Declaration of conformity

Universal calipers



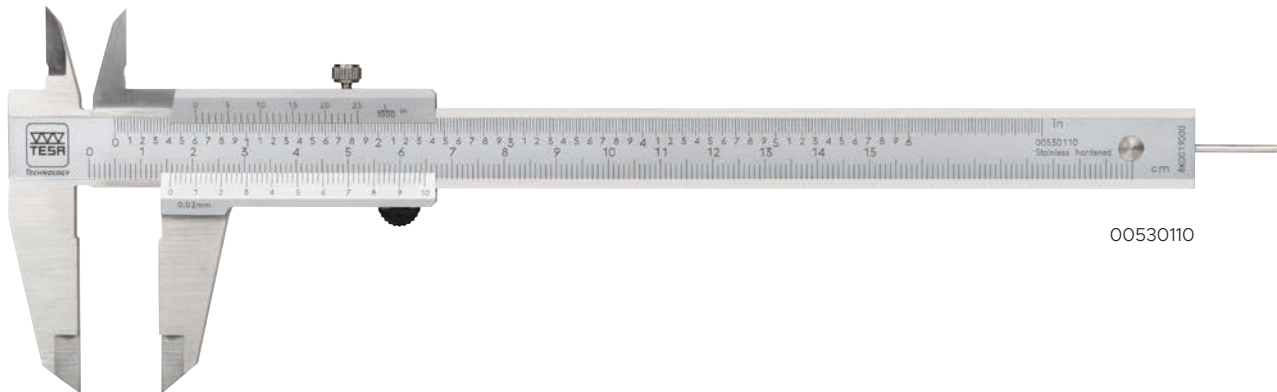
Part number	Measuring range, in	Resolution in	Travel / revolution, in	Thumb roller	Execution	A mm	B mm	C mm	D mm	E mm
075115811	6	.001	.1	With	Silver dial	40	13	1,5 x 1,9	3,2	15,5
075116550	6	.001	.1	With	Black dial	40	13	1,5 x 1,9	3,2	15,5

Accessories

Part number	Designation
00560013	Depth foot for universal digital or dial calipers of 150 mm

Universal vernier models

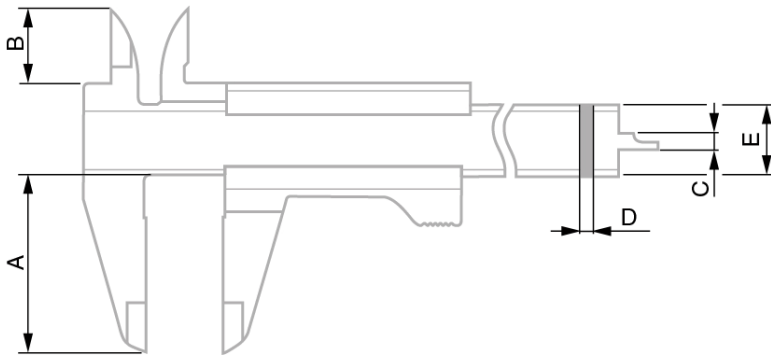
- INSTRUMENT
 - Perfect operation of the slider for a silky-smooth operation
 - Main scale slightly set back for protection against wear
- MEASUREMENT
 - Satin-chrome scale and vernier for good reading



00530110

Standard	ISO 13385-1:2019
Maximum permissible errors	<p>L = length in mm</p> <p>For 0,02 resolution:</p> <p>0 < L ≤ 200: ± 30 μm</p> <p>200 < L ≤ 300: ± 40 μm</p> <p>For resolution 0,05:</p> <p>0 < L ≤ 300: ± 50 μm</p>
Material	Hardened stainless steel
Particular characteristic(s)	Locking screw
Included in delivery	<p>Measuring report</p> <p>Declaration of conformity</p>

Universal calipers



Part number	Measuring range, mm	Measuring range, in	Resolution mm	Resolution in	Self-locking	A mm	B mm	C mm	D mm	E mm
00510070	150		0,02		Without	40	21	1,3 x 1,8	3	16
00530110	150	6	0,02	.001	Without	40	21	1,3 x 1,8	3	16
00530121	150	6	0,02	.001	With	40	21	1,3 x 1,8	3	16
00510073	150		0,05		Without	40	21	1,3 x 1,8	3	16
00530103	150	6	0,02	1/128	Without	40	21	1,3 x 1,8	3	16
00530120	150	6	0,05	1/128	With	40	21	1,3 x 1,8	3	16
00510071	200		0,02		Without	50	23,5	1,3 x 1,8	3,5	17
00530111	200	8	0,02	.001	Without	50	23,5	1,3 x 1,8	3,5	17
00510074	200		0,05		Without	50	23,5	1,3 x 1,8	3,5	17
00530104	200	8	0,05	1/128	Without	50	23,5	1,3 x 1,8	3,5	17
00510072	300		0,02		Without	64	27,5	1,8 x 1,9	4	20
00530112	300	12	0,02	.001	Without	64	27,5	1,8 x 1,9	4	20
00510075	300		0,05		Without	64	27,5	1,8 x 1,9	4	20
00530105	300	12	0,05	1/128	Without	64	27,5	1,8 x 1,9	4	20

Accessories

Part number	Designation
0051610365	Magnetic magnifying glass, 3 x magnification
00560055	Depth foot for universal vernier calipers of 150 mm

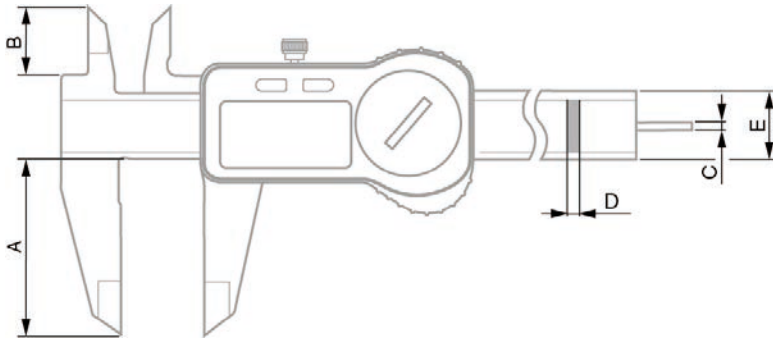
Universal digital models

- INSTRUMENT
 - Perfect operation of the slider for a silky-smooth operation
 - Robust construction to ensure longevity and stability of results over time
 - High degree of protection against dust and liquids (even when the data sending cap is connected)
- MEASUREMENT
 - Reading comfort with large high-contrast display
 - Comfortable handling with ergonomic grip for ease of use (TWIN-CAL models)
- AUTONOMY
 - Long battery life avoiding too frequent battery changes
- DATA MANAGEMENT
 - Sending values to computer via TLC port (cable or wireless)



Standard	ISO 13385-1:2019
Maximum permissible errors	L = length in mm $0 < L \leq 100: \pm 20 \mu\text{m}$ $100 < L \leq 300: \pm 30 \mu\text{m}$
Material	Stainless steel
Particular characteristic(s)	Locking screw
Resolution	0,01 mm / .0005 in
Zero	Fixed
Degree of protection	IP67 or IP40
Display	LCD, 11 mm
Power supply	Lithium battery, 3 V CR2032
Data output	With or without TLC port
Function(s)	Stand-by after 10 min ABS or DIFF mode Low battery indicator
Autonomy	12'000 h
Units	mm / in
Included in delivery	Battery (1x) Measuring report Declaration of conformity

Universal calipers



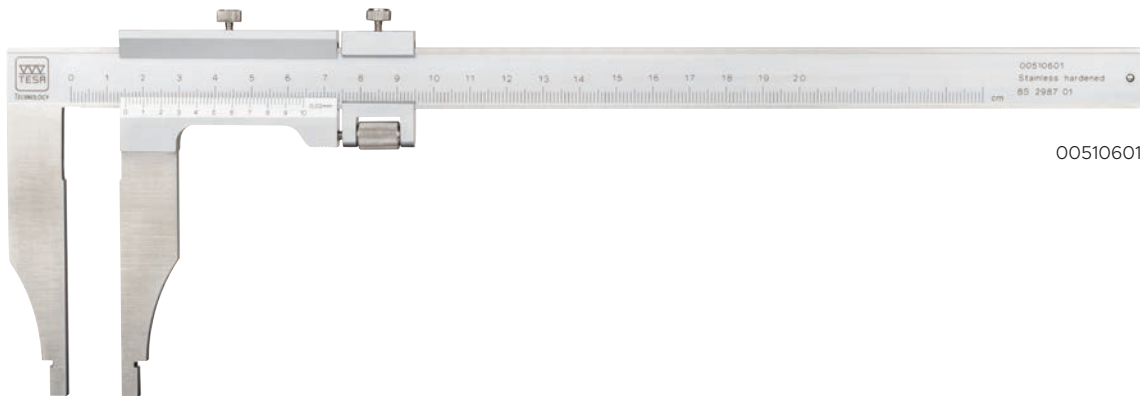
Part number	Measuring range, mm	Measuring range, in	Thumb roller	Data output	Degree of protection	A mm	B mm	C mm	D mm	E mm
00530094	150	6	With	TLC		40	16	∅ 1,6	3,2	15,5
00530097	150	6	Without	TLC		40	16	1,3 x 1,8	3,2	15,5
00530140	150	6	Without		IP67	40	16	1,3 x 1,8	3,2	15,5
00530141	150	6	Without		IP67	40	16	∅ 1,6	3,2	15,5
00530319	150	6	Without	TLC	IP67	40	16	1,3 x 1,8	3,2	15,5
00530320	150	6	Without	TLC	IP67	40	16	∅ 1,6	3,2	15,5
00530321	150	6	With	TLC	IP67	40	16	∅ 1,6	3,2	15,5
00530095	200	8	With	TLC		50	20	1,3 x 1,8	3,6	15,5
00530142	200	8	With		IP67	50	20	1,3 x 1,8	3,6	15,5
00530322	200	8	With	TLC	IP67	50	20	1,3 x 1,8	3,6	15,5
00530096	300	12	With	TLC		64	22	1,4 x 1,8	4	15,5
00530143	300	12	With		IP67	64	22	1,4 x 1,8	4	15,5
00530323	300	12	With	TLC	IP67	64	22	1,4 x 1,8	4	15,5

Accessories

Part number	Designation
04760181	TLC-USB cable, 2 m
04760182	TLC-DIGIMATIC cable, 2 m
04760183	TLC-BLE Bluetooth® emitter + USB dongle receiver + 1,5 m extension cable set
04760184	TLC-BLE Bluetooth® emitter
04760185	USB receiver + 1,5 m extension cable
04981001	DATA-DIRECT software
04981002	STAT-EXPRESS software
DATA-VIEWER	Free data acquisition software
00560013	Depth foot for universal digital or dial calipers of 150 mm
01961000	3 V battery, type CR2032

Workshop vernier models

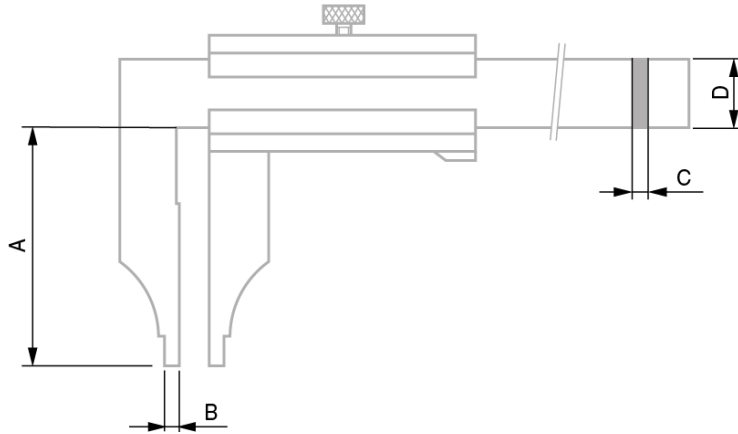
- INSTRUMENT
 - Perfect operation of the slider for a silky-smooth operation
 - Main scale slightly set back for protection against wear
- MEASUREMENT
 - Satin-chrome scale and vernier for good reading
 - With or without fine adjustment



00510601

Standard	ISO 13385-1:2019
Maximum permissible errors	<p>L = length in mm</p> <p>For 0,02 resolution:</p> <p>0 < L ≤ 250: ± 30 μm</p> <p>250 < L ≤ 400: ± 40 μm</p> <p>400 < L ≤ 500: ± 50 μm</p> <p>For resolution 0,05:</p> <p>0 < L ≤ 300: ± 50 μm</p> <p>300 < L ≤ 400: ± 60 μm</p> <p>400 < L ≤ 500: ± 70 μm</p>
Material	Hardened stainless steel
Particular characteristic(s)	With or without fine adjustment Locking screw
Included in delivery	Measuring report Declaration of conformity

Workshop calipers



Part number	Measuring range, mm	Measuring range, in	Resolution mm	Resolution in	Fine adjustment	A mm	B mm	C mm	D mm
00510509	200		0,02		Without	60	5	3,5	17
00510601	200		0,02		With	60	5	3,5	17
00510506	200		0,05		Without	60	5	3,5	17
00510602	200		0,05		With	60	5	3,5	17
00530506	200	8	0,05	1/128	Without	60	5	3,5	17
00530602	200	8	0,05	1/128	With	60	5	3,5	17
00510521	300		0,02		Without	90	5	4	20
00510621	300		0,02		With	90	5	4	20
00510522	300		0,05		Without	90	5	4	20
00510622	300		0,05		With	90	5	4	20
00530522	300	12	0,05	1/128	Without	90	5	4	20
00530622	300	12	0,05	1/128	With	90	5	4	20
00510541	500		0,02		Without	150	10	6	28
00510641	500		0,02		With	150	10	6	28
00510542	500		0,05		Without	150	10	6	28
00510642	500		0,05		With	150	10	6	28
00530542	500	20	0,05	1/128	Without	150	10	6	28
00530642	500	20	0,05	1/128	With	150	10	6	28

Accessories

Part number	Designation
0051610365	Magnetic magnifying glass, 3 x magnification

Digital workshop models

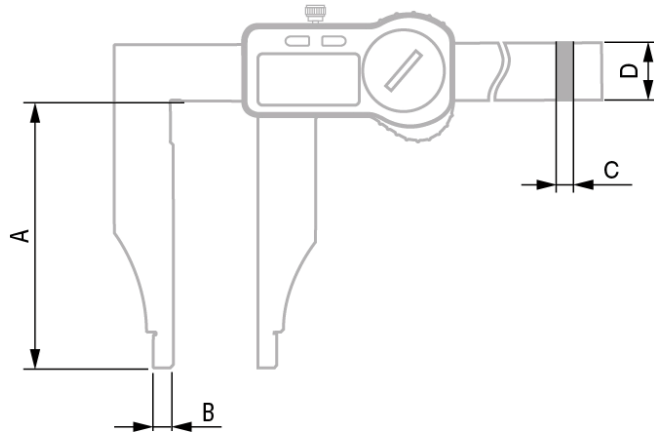
- INSTRUMENT
 - Robust construction to ensure longevity and stability of results over time
 - High degree of protection against dust and liquids (even when the data sending cap is connected)
- MEASUREMENT
 - Reading comfort with large high-contrast display
 - Comfortable handling with ergonomic grip for ease of use
- AUTONOMY
 - Long battery life avoiding too frequent battery changes
- DATA MANAGEMENT
 - Sending values to computer via TLC port (cable or wireless)



00530422

Standard	ISO 13385-1:2019
Maximum permissible errors	L = length in mm $0 < L \leq 100: \pm 30 \mu\text{m}$ $100 < L \leq 600: \pm 40 \mu\text{m}$ $600 < L \leq 1000: \pm 50 \mu\text{m}$
Material	Stainless steel
Particular characteristic(s)	Locking screw
Resolution	0,01 mm / .0005 in
Zero	Fixed
Degree of protection	IP67
Display	LCD, 11 mm
Power supply	Lithium battery, 3 V CR2032
Data output	TLC
Function(s)	Stand-by after 10 min ABS or DIFF mode Low battery indicator
Autonomy	12'000 h
Units	mm / in
Included in delivery	Battery (1x) Measuring report Declaration of conformity

Workshop calipers



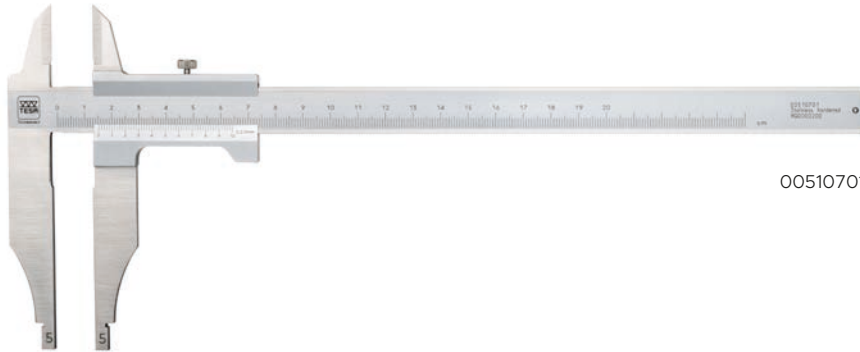
Part number	Measuring range, mm	Measuring range, in	Data output	Degree of protection	A mm	B mm	C mm	D mm
00530421	200	8	TLC	IP67	80	5	4	20
00530422	250	10	TLC	IP67	80	5	4	20
00530423	300	12	TLC	IP67	80	5	4	20
00530424	500	20	TLC	IP67	150	10	6	28
00530425	600	24	TLC	IP67	150	10	6	28
00530426	800	32	TLC	IP67	150	10	8	32
00530427	1000	39	TLC	IP67	150	10	8	32

Accessories

Part number	Designation
04760181	TLC-USB cable, 2 m
04760182	TLC-DIGIMATIC cable, 2 m
04760183	TLC-BLE Bluetooth® emitter + USB dongle receiver + 1,5 m extension cable set
04760184	TLC-BLE Bluetooth® emitter
04760185	USB receiver + 1,5 m extension cable
04981001	DATA-DIRECT software
04981002	STAT-EXPRESS software
DATA-VIEWER	Free data acquisition software
01961000	3 V battery, type CR2032

Workshop vernier models with knife-edge external jaws

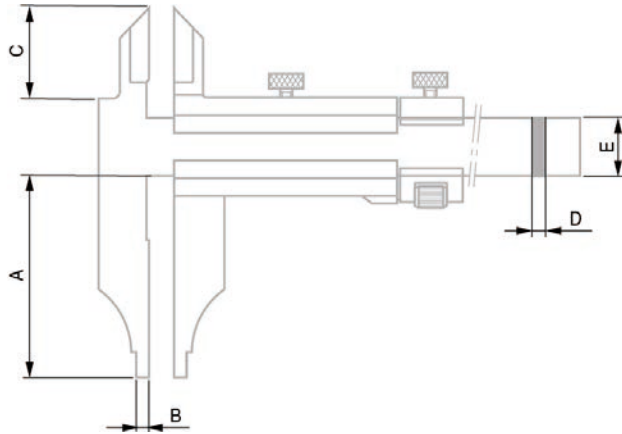
- INSTRUMENT
 - Perfect operation of the slider for a silky-smooth operation
 - Main scale slightly set back for protection against wear
- MEASUREMENT
 - Satin-chrome scale and vernier for good reading
 - With or without fine adjustment



00510701

Standard	ISO 13385-1:2019
Maximum permissible errors	<p>L = length in mm</p> <p>For 0,02 resolution:</p> <p>0 < L ≤ 250: ± 30 μm</p> <p>250 < L ≤ 400: ± 40 μm</p> <p>400 < L ≤ 500: ± 50 μm</p> <p>For resolution 0,05:</p> <p>0 < L ≤ 300: ± 50 μm</p> <p>300 < L ≤ 400: ± 60 μm</p> <p>400 < L ≤ 500: ± 70 μm</p>
Material	Hardened stainless steel
Particular characteristic(s)	With or without fine adjustment Locking screw
Included in delivery	Measuring report Declaration of conformity

Workshop calipers



Part number	Measuring range, mm	Measuring range, in	Resolution mm	Resolution in	Fine adjustment	A mm	B mm	C mm	D mm	E mm
00510701	200		0,02		Without	60	5	30	3,5	17
00510801	200		0,02		With	60	5	30	3,5	17
00510702	200		0,05		Without	60	5	30	3,5	17
00510802	200		0,05		With	60	5	30	3,5	17
00530702	200	8	0,05	1/128	Without	60	5	30	3,5	17
00530802	200	8	0,05	1/128	With	60	5	30	3,5	17
00510721	300		0,02		Without	90	5	38	4	20
00510821	300		0,02		With	90	5	38	4	20
00510722	300		0,05		Without	90	5	38	4	20
00510822	300		0,05		With	90	5	38	4	20
00530722	300	12	0,05	1/128	Without	90	5	38	4	20
00530822	300	12	0,05	1/128	With	90	5	38	4	20
00510741	500		0,02		Without	150	10	60	6	28
00510841	500		0,02		With	150	10	60	6	28
00510742	500		0,05		Without	150	10	60	6	28
00510842	500		0,05		With	150	10	60	6	28
00530742	500	20	0,05	1/128	Without	150	10	60	6	28
00530842	500	20	0,05	1/128	With	150	10	60	6	28

Accessories

Part number	Designation
0051610365	Magnetic magnifying glass, 3 x magnification

Digital workshop models with knife-edge external jaws

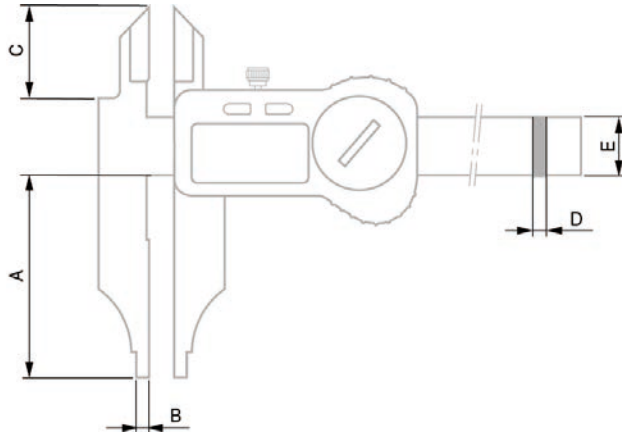
- INSTRUMENT
 - Robust construction to ensure longevity and stability of results over time
 - High degree of protection against dust and liquids (even when the data sending cap is connected)
- MEASUREMENT
 - Reading comfort with large high-contrast display
 - Comfortable handling with ergonomic grip for ease of use
- AUTONOMY
 - Long battery life avoiding too frequent battery changes
- DATA MANAGEMENT
 - Sending values to computer via TLC port (cable or wireless)



00530431

Standard	ISO 13385-1:2019
Maximum permissible errors	L = length in mm $0 < L \leq 100: \pm 30 \mu\text{m}$ $100 < L \leq 600: \pm 40 \mu\text{m}$ $600 < L \leq 1000: \pm 50 \mu\text{m}$
Material	Stainless steel
Particular characteristic(s)	Locking screw
Resolution	0,01 mm / .0005 in
Zero	Fixed
Degree of protection	IP67
Display	LCD, 11 mm
Power supply	Lithium battery, 3 V CR2032
Data output	TLC
Function(s)	Stand-by after 10 min ABS or DIFF mode Low battery indicator
Autonomy	12'000 h
Units	mm / in
Included in delivery	Battery (1x) Measuring report Declaration of conformity

Workshop calipers



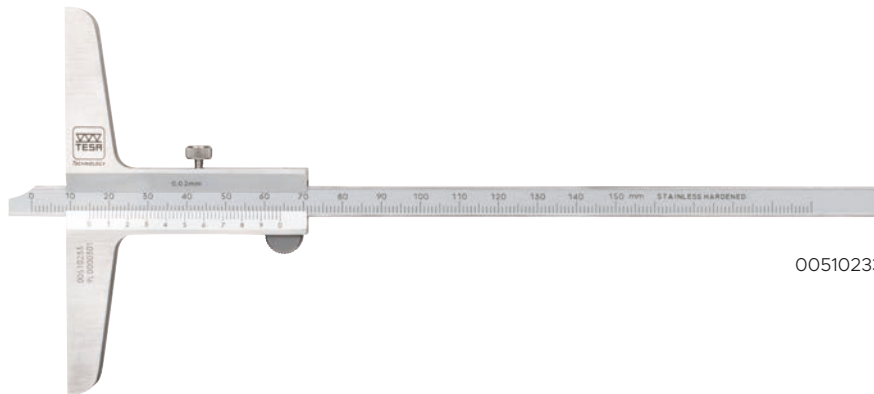
Part number	Measuring range, mm	Measuring range, in	Data output	Degree of protection	A mm	B mm	C mm	D mm	E mm
00530431	200	8	TLC	IP67	80	5	30	4	20
00530432	250	10	TLC	IP67	80	5	37	4	20
00530433	300	12	TLC	IP67	90	5	37	4	20
00530434	500	20	TLC	IP67	150	10	60	6	28
00530435	600	24	TLC	IP67	150	10	60	6	28
00530436	800	32	TLC	IP67	150	10	56	8	32
00530437	1000	39	TLC	IP67	150	10	56	8	32

Accessories

Part number	Designation
04760181	TLC-USB cable, 2 m
04760182	TLC-DIGIMATIC cable, 2 m
04760183	TLC-BLE Bluetooth® emitter + USB dongle receiver + 1,5 m extension cable set
04760184	TLC-BLE Bluetooth® emitter
04760185	USB receiver + 1,5 m extension cable
04981001	DATA-DIRECT software
04981002	STAT-EXPRESS software
DATA-VIEWER	Free data acquisition software
01961000	3 V battery, type CR2032

Vernier depth models with short cut measuring face

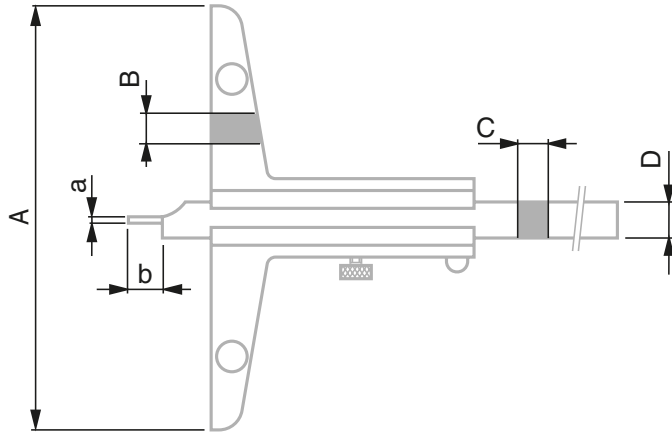
- INSTRUMENT
 - Perfect operation of the slider for a silky-smooth operation
 - Main scale slightly set back for protection against wear
- MEASUREMENT
 - Satin-chrome scale and vernier for good reading
 - With or without steel tip



00510233

Standard	ISO 13385-2:2019
Maximum permissible errors	<p>L = length in mm</p> <p>For 0,02 resolution:</p> <p>0 < L ≤ 100: ± 30 μm</p> <p>100 < L ≤ 300: ± 40 μm</p> <p>300 < L ≤ 500: ± 50 μm</p> <p>For resolution 0,05:</p> <p>0 < L ≤ 500: ± 50 μm</p>
Material	Hardened stainless steel
Particular characteristic(s)	<p>With or without fine adjustment</p> <p>With or without steel tip</p> <p>Locking screw</p>
Included in delivery	<p>Measuring report</p> <p>Declaration of conformity</p>

Depth calipers



Part number	Measuring range, mm	Resolution mm	Steel tip	A mm	B mm	C mm	D mm	a mm	b mm
00510233	150	0,02	Without	100	6,5	3	8		
00510234	150	0,05	Without	100	6,5	3	8		
00510223	150	0,02	With	100	6,5	3	8	Ø 1,5	8
00510224	150	0,05	With	100	6,5	3	8	Ø 1,5	8
00510243	200	0,02	Without	100	6,5	3	8		
00510244	200	0,05	Without	100	6,5	3	8		
00510225	200	0,02	With	100	6,5	3	8	Ø 1,5	8
00510226	200	0,05	With	100	6,5	3	8	Ø 1,5	8
00510253	300	0,02	With	150	8	4	12		
00510254	300	0,05	Without	150	8	4	12		
00510227	300	0,02	With	150	8	4	12	Ø 2	8
00510228	300	0,05	With	150	8	4	12	Ø 2	8
00510263	500	0,02	Without	150	8	4	12		
00510264	500	0,05	Without	150	8	4	12		

Accessories

Part number	Designation
0051610365	Magnetic magnifying glass, 3 x magnification
00560108	Removable bridge, 180 mm
00560109	Removable bridge, 260 mm
00560110	Removable bridge, 320 mm

Digital depth models with short cut measuring face

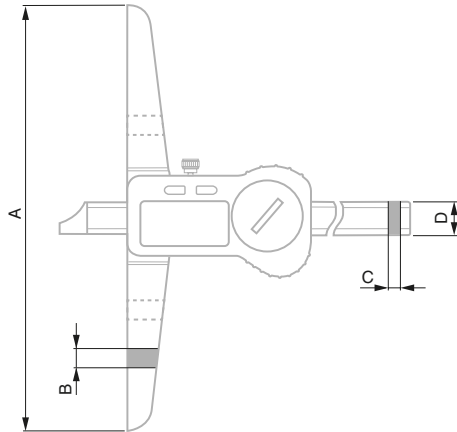
- INSTRUMENT
 - Robust construction to ensure longevity and stability of results over time
 - High degree of protection against dust and liquids (even when the data sending cap is connected)
- MEASUREMENT
 - Reading comfort with large high-contrast display
 - Comfortable handling with ergonomic grip for ease of use
- AUTONOMY
 - Long battery life avoiding too frequent battery changes
- DATA MANAGEMENT
 - Sending values to computer via TLC port (cable or wireless)



00530441

Standard	ISO 13385-2:2019
Maximum permissible errors	L = length in mm $0 < L \leq 100: \pm 20 \mu\text{m}$ $100 < L \leq 500: \pm 30 \mu\text{m}$
Material	Stainless steel
Particular characteristic(s)	Locking screw
Resolution	0,01 mm / .0005 in
Zero	Fixed
Degree of protection	IP67
Display	LCD, 11 mm
Power supply	Lithium battery, 3 V CR2032
Data output	TLC
Function(s)	Stand-by after 10 min ABS or DIFF mode Low battery indicator
Autonomy	12'000 h
Units	mm / in
Included in delivery	Battery (1x) Measuring report Declaration of conformity

Depth calipers



Part number	Measuring range, mm	Measuring range, in	Data output	Degree of protection	A mm	B mm	C mm	D mm
00530441	200	8	TLC	IP67	100	8,5	4	15
00530442	250	10	TLC	IP67	100	8,5	4	15
00530443	300	12	TLC	IP67	150	8,5	4	15
00530444	500	20	TLC	IP67	150	8,5	4	15

Accessories

Part number	Designation
04760181	TLC-USB cable, 2 m
04760182	TLC-DIGIMATIC cable, 2 m
04760183	TLC-BLE Bluetooth® emitter + USB dongle receiver + 1,5 m extension cable set
04760184	TLC-BLE Bluetooth® emitter
04760185	USB receiver + 1,5 m extension cable
04981001	DATA-DIRECT software
04981002	STAT-EXPRESS software
DATA-VIEWER	Free data acquisition software
00560103	Removable bridge, 200 mm
00560104	Removable bridge, 300 mm
00560105	Removable bridge, 400 mm
01961000	3 V battery, type CR2032

Vernier depth models with fixed hook

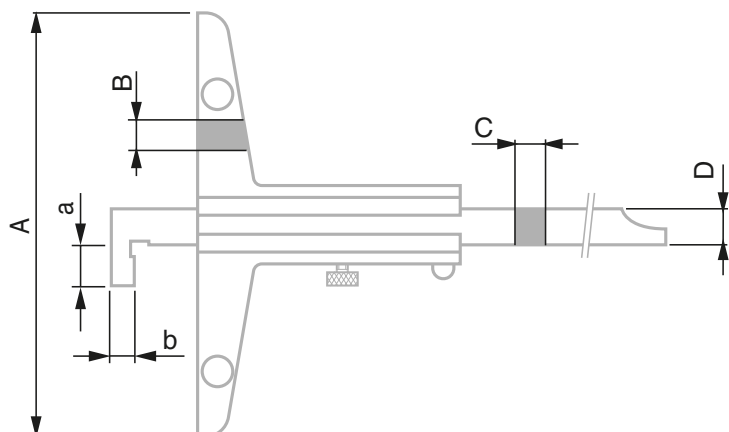
- INSTRUMENT
 - Perfect operation of the slider for a silky-smooth operation
 - Main scale slightly set back for protection against wear
- MEASUREMENT
 - Satin-chrome scale and vernier for good reading



00510280

Standard	ISO 13385-2:2019
Maximum permissible errors	<p>L = length in mm</p> <p>For 0,02 resolution:</p> <p>0 < L ≤ 100: ± 30 μm</p> <p>100 < L ≤ 300: ± 40 μm</p> <p>300 < L ≤ 500: ± 50 μm</p> <p>For resolution 0,05:</p> <p>0 < L ≤ 500: ± 50 μm</p>
Material	Hardened stainless steel
Particular characteristic(s)	Locking screw
Included in delivery	Measuring report Declaration of conformity

Depth calipers



Part number	Measuring range, mm	Resolution mm	Number of hook(s)	A mm	B mm	C mm	D mm	a mm	b mm
00510275	150	0,02	1	100	6,5	3	8	12	5
00510276	150	0,05	1	100	6,5	3	8	12	5
00510277	200	0,02	1	100	6,5	3	8	12	5
00510278	200	0,05	1	100	6,5	3	8	12	5
00510279	300	0,02	1	150	8	4	10	16	10
00510280	300	0,05	1	150	8	4	10	16	10
00510281	500	0,02	1	150	8	4	10	16	10
00510282	500	0,05	1	150	8	4	10	16	10

Accessories

Part number	Designation
0051610365	Magnetic magnifying glass, 3 x magnification
00560108	Removable bridge, 180 mm
00560109	Removable bridge, 260 mm
00560110	Removable bridge, 320 mm

Digital depth models with fixed hook(s)

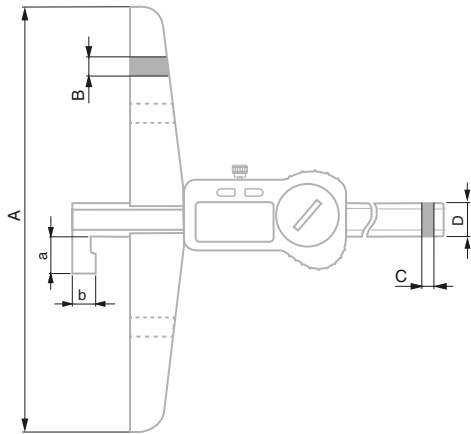
- INSTRUMENT
 - Robust construction to ensure longevity and stability of results over time
 - High degree of protection against dust and liquids (even when the data sending cap is connected)
- MEASUREMENT
 - Reading comfort with large high-contrast display
 - Comfortable handling with ergonomic grip for ease of use
- AUTONOMY
 - Long battery life avoiding too frequent battery changes
- DATA MANAGEMENT
 - Sending values to computer via TLC port (cable or wireless)



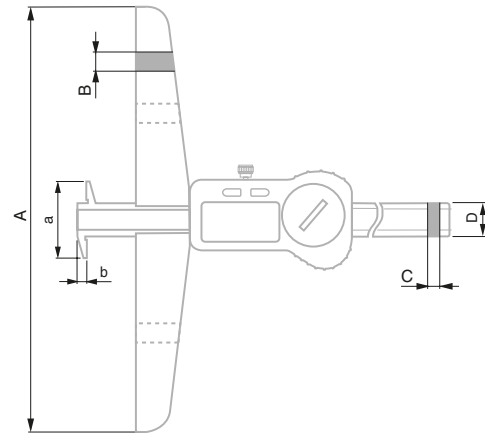
00530445

Standard	ISO 13385-2:2019
Maximum permissible errors	L = length in mm $0 < L \leq 100: \pm 20 \mu\text{m}$ $100 < L \leq 500: \pm 30 \mu\text{m}$
Material	Stainless steel
Particular characteristic(s)	Locking screw
Resolution	0,01 mm / .0005 in
Zero	Fixed
Degree of protection	IP67
Display	LCD, 11 mm
Power supply	Lithium battery, 3 V CR2032
Data output	TLC
Function(s)	Stand-by after 10 min ABS or DIFF mode Low battery indicator
Autonomy	12'000 h
Units	mm / in
Included in delivery	Battery (1x) Measuring report Declaration of conformity

Depth calipers



00530445 and 00530446



00530447

Part number	Measuring range, mm	Measuring range, in	Number of hook(s)	Data output	Degree of protection	A mm	B mm	C mm	D mm	a mm	b mm
00530445	300	12	1	TLC	IP67	150	8,5	4	15	15,5	10
00530446	500	20	1	TLC	IP67	150	8,5	4	15	15,5	10
00530447	300	12	2	TLC	IP67	150	8,5	4	15	27,5	5

Accessories

Part number	Designation
04760181	TLC-USB cable, 2 m
04760182	TLC-DIGIMATIC cable, 2 m
04760183	TLC-BLE Bluetooth® emitter + USB dongle receiver + 1,5 m extension cable set
04760184	TLC-BLE Bluetooth® emitter
04760185	USB receiver + 1,5 m extension cable
04981001	DATA-DIRECT software
04981002	STAT-EXPRESS software
DATA-VIEWER	Free data acquisition software
00560103	Removable bridge, 200 mm, for digital depth caliper
00560104	Removable bridge, 300 mm, for digital depth caliper
00560105	Removable bridge, 400 mm, for digital depth caliper
01961000	CR2032 button battery

Vernier depth models with rotary stop plate

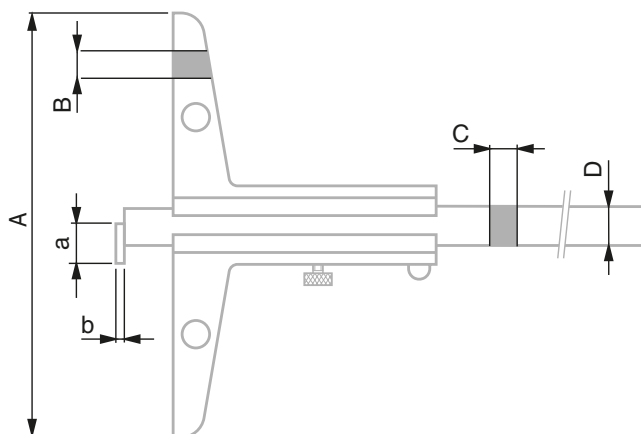
- INSTRUMENT
 - Perfect operation of the slider for a silky-smooth operation
 - Main scale slightly set back for protection against wear
- MEASUREMENT
 - Satin-chrome scale and vernier for good reading



00510294

Standard	ISO 13385-2:2019
Maximum permissible errors	<p>L = length in mm</p> <p>For 0,02 resolution:</p> <p>0 < L ≤ 100: ± 30 μm</p> <p>100 < L ≤ 300: ± 40 μm</p> <p>300 < L ≤ 500: ± 50 μm</p> <p>For resolution 0,05:</p> <p>0 < L ≤ 500: ± 50 μm</p>
Material	Hardened stainless steel
Particular characteristic(s)	Locking screw
Included in delivery	<p>Measuring report</p> <p>Declaration of conformity</p>

Depth calipers



Part number	Measuring range mm	Resolution mm	A mm	B mm	C mm	D mm	a mm	b mm
00510291	150	0,02	150	8,5	4	12	5,3	2
00510292	150	0,05	150	8,5	4	12	5,3	2
00510293	250	0,02	150	8,5	4	12	5,3	2
00510294	250	0,05	150	8,5	4	12	5,3	2
00510295	500	0,02	150	8,5	4	12	5,3	2
00510296	500	0,05	150	8,5	4	12	5,3	2

Accessories

Part number	Designation
0051610365	Magnetic magnifying glass, 3 x magnification
00560108	Removable bridge, 180 mm
00560109	Removable bridge, 260 mm
00560110	Removable bridge, 320 mm

Digital depth models with rotary stop plate

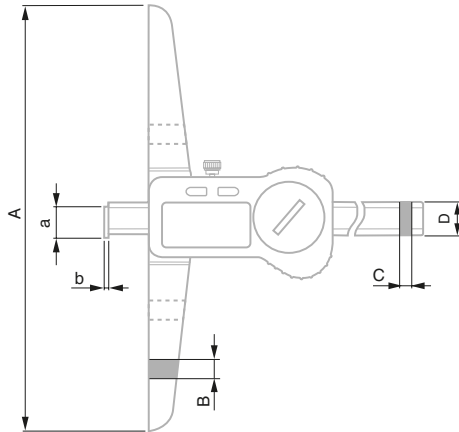
- INSTRUMENT
 - Robust construction to ensure longevity and stability of results over time
 - High degree of protection against dust and liquids (even when the data sending cap is connected)
- MEASUREMENT
 - Reading comfort with large high-contrast display
 - Comfortable handling with ergonomic grip for ease of use
- AUTONOMY
 - Long battery life avoiding too frequent battery changes
- DATA MANAGEMENT
 - Sending values to computer via TLC port (cable or wireless)



00530448

Standard	ISO 13385-2:2019
Maximum permissible errors	L = length in mm $0 < L \leq 100: \pm 20 \mu\text{m}$ $100 < L \leq 500: \pm 30 \mu\text{m}$
Material	Stainless steel
Particular characteristic(s)	Locking screw
Resolution	0,01 mm / .0005 in
Zero	Fixed
Degree of protection	IP67
Display	LCD, 11 mm
Power supply	Lithium battery, 3 V CR2032
Data output	TLC
Function(s)	Stand-by after 10 min ABS or DIFF mode Low battery indicator
Autonomy	12'000 h
Units	mm / in
Included in delivery	Battery (1x) Measuring report Declaration of conformity

Depth calipers



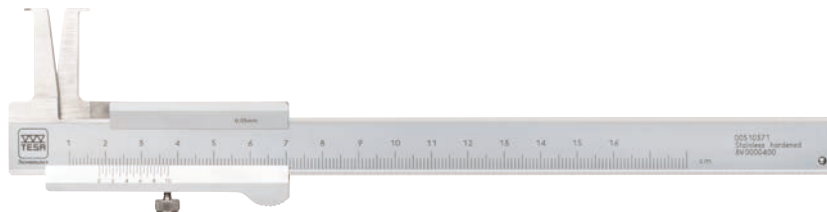
Part number	Measuring range, mm	Measuring range, in	Data output	Degree of protection	A mm	B mm	C mm	D mm	a mm	b mm
00530448	250	10	TLC	IP67	150	8,5	4	15	15,7	2
00530449	350	14	TLC	IP67	150	8,5	4	15	15,7	2
00530450	500	20	TLC	IP67	150	8,5	4	15	15,7	2

Accessories

Part number	Designation
04760181	TLC-USB cable, 2 m
04760182	TLC-DIGIMATIC cable, 2 m
04760183	TLC-BLE Bluetooth® emitter + USB dongle receiver + 1,5 m extension cable set
04760184	TLC-BLE Bluetooth® emitter
04760185	USB receiver + 1,5 m extension cable
04981001	DATA-DIRECT software
04981002	STAT-EXPRESS software
DATA-VIEWER	Free data acquisition software
00560103	Removable bridge, 200 mm
00560104	Removable bridge, 300 mm
00560105	Removable bridge, 400 mm
01961000	3 V battery, type CR2032

Special vernier models for groove measurement

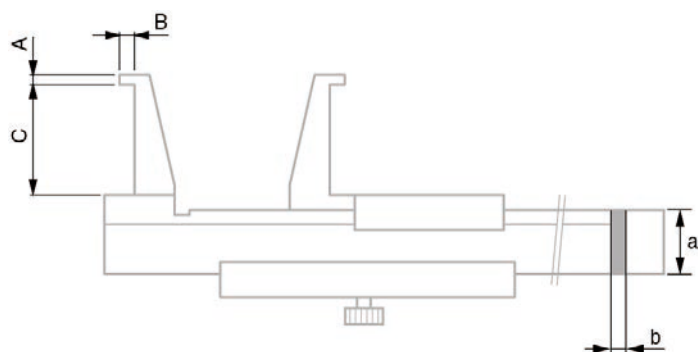
- INSTRUMENT
 - Perfect operation of the slider for a silky-smooth operation
 - Main scale slightly set back for protection against wear
- MEASUREMENT
 - Satin-chrome scale and vernier for good reading



00510371

Standard	Factory standard
Maximum permissible errors	<p>L = length of the jaws in mm</p> <p>For 0,02 resolution:</p> <p>40 < L ≤ 60: ± 80 μm</p> <p>60 < L ≤ 80: ± 100 μm</p> <p>80 < L ≤ 100: ± 120 μm</p> <p>For resolution 0,05:</p> <p>0 < L ≤ 40: ± 50 μm</p>
Material	Hardened stainless steel
Particular characteristic(s)	Locking screw
Included in delivery	Measuring report Declaration of conformity

Special calipers



Part number	Measuring range mm	Resolution mm	A mm	B mm	C mm	a mm	b mm
00510371	10 ÷ 160	0,05	0,9	3	25	16	3
00510375	20 ÷ 160	0,05	2	5	40	16	3
00510383	26 ÷ 200	0,02	3	7	60	16	3
00510387	30 ÷ 250	0,02	4	8,5	80	20	4
00510393	35 ÷ 300	0,02	5	10	100	20	4

Accessories

Part number	Designation
0051610365	Magnetic magnifying glass, 3 x magnification

Special digital model and knife-edge internal jaws

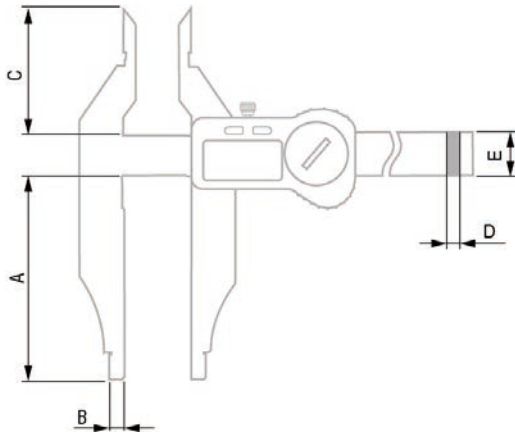
- INSTRUMENT
 - Robust construction to ensure longevity and stability of results over time
 - High degree of protection against dust and liquids (even when the data sending cap is connected)
- MEASUREMENT
 - Reading comfort with large high-contrast display
 - Comfortable handling with ergonomic grip for ease of use
- AUTONOMY
 - Long battery life avoiding too frequent battery changes
- DATA MANAGEMENT
 - Sending values to computer via TLC port (cable or wireless)



00530430

Standard	ISO 13385-1:2019
Maximum permissible errors	L = length in mm $0 < L \leq 100: \pm 30 \mu\text{m}$ $100 < L \leq 600: \pm 40 \mu\text{m}$
Material	Stainless steel
Particular characteristic(s)	Locking screw
Resolution	0,01 mm / .0005 in
Zero	Fixed
Degree of protection	IP67
Display	LCD, 11 mm
Power supply	Lithium battery, 3 V CR2032
Data output	TLC
Function(s)	Stand-by after 10 min ABS or DIFF mode Low battery indicator
Autonomy	12'000 h
Units	mm / in
Included in delivery	Battery (1x) Measuring report Declaration of conformity

Special calipers



Part number	Measuring range, mm	Measuring range, in	Data output	Degree of protection	A mm	B mm	C mm	D mm	E mm
00530430	250	10	TLC	IP67	80	5	54	4	20

Accessories

Part number	Designation
04760181	TLC-USB cable, 2 m
04760182	TLC-DIGIMATIC cable, 2 m
04760183	TLC-BLE Bluetooth® emitter + USB dongle receiver + 1,5 m extension cable set
04760184	TLC-BLE Bluetooth® emitter
04760185	USB receiver + 1,5 m extension cable
04981001	DATA-DIRECT software
04981002	STAT-EXPRESS software
DATA-VIEWER	Free data acquisition software
01961000	3 V battery, type CR2032

Special model with steel measuring tip

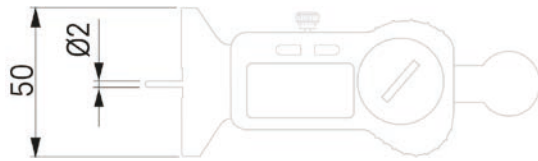
- INSTRUMENT
 - Robust construction to ensure longevity and stability of results over time
 - High degree of protection against dust and liquids (even when the data sending cap is connected)
- MEASUREMENT
 - Reading comfort with large high-contrast display
 - Comfortable handling with ergonomic grip for ease of use
- AUTONOMY
 - Long battery life avoiding too frequent battery changes
- DATA MANAGEMENT
 - Sending values to computer via TLC port (cable or wireless)



00530451

Standard	ISO 13385-2:2019
Maximum permissible errors	± 30 µm
Material	Stainless steel
Particular characteristic(s)	Locking screw
Resolution	0,01 mm / .0005 in
Zero	Fixed
Degree of protection	IP67
Display	LCD, 11 mm
Power supply	Lithium battery, 3 V CR2032
Data output	TLC
Function(s)	Stand-by after 10 min ABS or DIFF mode Low battery indicator
Autonomy	12'000 h
Units	mm / in
Included in delivery	Battery (1x) Measuring report Declaration of conformity

Special calipers



Part number	Measuring range mm	Measuring range in	Data output	Degree of protection
00530451	25	1	TLC	IP67

Accessories

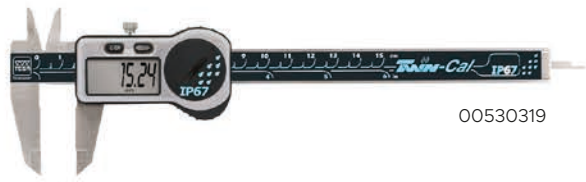
Part number	Designation
04760181	TLC-USB cable, 2 m
04760182	TLC-DIGIMATIC cable, 2 m
04760183	TLC-BLE Bluetooth® emitter + USB dongle receiver + 1,5 m extension cable set
04760184	TLC-BLE Bluetooth® emitter
04760185	USB receiver + 1,5 m extension cable
04981001	DATA-DIRECT software
04981002	STAT-EXPRESS software
DATA-VIEWER	Free data acquisition software
01961000	3 V battery, type CR2032

Tools sets, metric


00531007

Family	Part number	Model	Dimension, mm	Resolution mm	00530020	00511005	00511002	00511006	00511003	00531004	00511009	00511015	00531004	00511016	00531007	00511013	00511012	00510033	00511004	00511001	00511017
Calipers	00510008	Universal dial model Serie 2 mm/t	150	0,02	1	1	1														
	075115821	Universal dial model Serie 1 mm/t	150	0,02				1	1												
	00530319	Universal digital model Serie TWIN-CAL IP67	150	0,01					1	1	1										
	00530320	Universal digital model Serie TWIN-CAL IP67	150	0,01									1	1							1
	00530094	Universal digital model Serie TWIN-CAL	150	0,01											1						
	00530140	Universal digital model Serie TESA-CAL IP67	150	0,01												1	1				
	00510070	Universal vernier model	150	0,02														1	1	1	
Internal micrometers	06030010	Digital model MICROMASTER EASY	0 ÷ 30	0,001											1	1	1				
	06030020	Digital model MICROMASTER	0 ÷ 30	0,001					1			1									
	00110101	Vernier model ISOMASTER	0 ÷ 25	0,01	1	1	1	1	1		1	1		1				1	1	1	1
	00110102	Vernier model ISOMASTER	25 ÷ 50	0,01																	1
Accessories	00560013	Depth foot			1				1		1	1		1	1	1	1				
	-	Flexible stainless steel rule	150			1	1	1	1		1	1		1			1	1	1		
	-	Flexible stainless steel rule	200																		1
	-	Bevelled edge steel squares	100 x 70			1	1	1	1		1	1		1			1	1	1		
	-	Try square, class 0	75 x 50																		1
	-	Radius gauge concav/convex	R1 ÷ R7				1	1			1	1		1							1
	-	Thread pitch gauges, metric/Withworth					1	1			1	1		1							1
	-	Metal scriber					1	1			1	1		1							1
	-	Setting standard for external micrometers	25																		

Tool sets



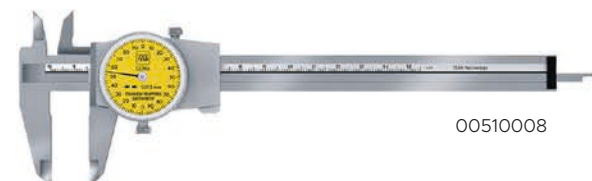
00530319



00510070



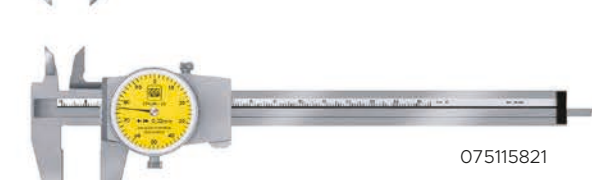
00530320



00510008



00530094



075115821



00530140



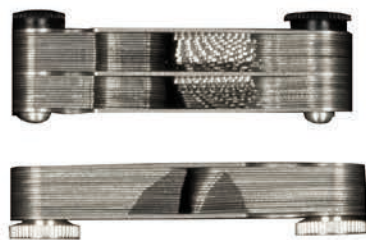
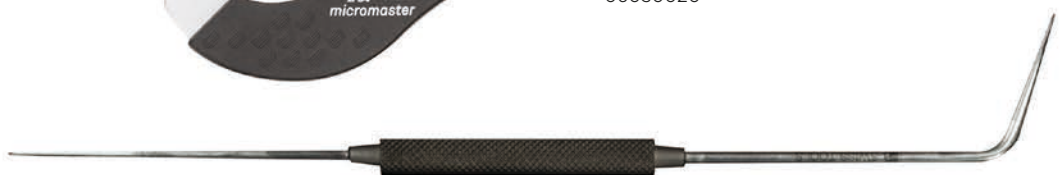
00110101



06030010



06030020



00560013

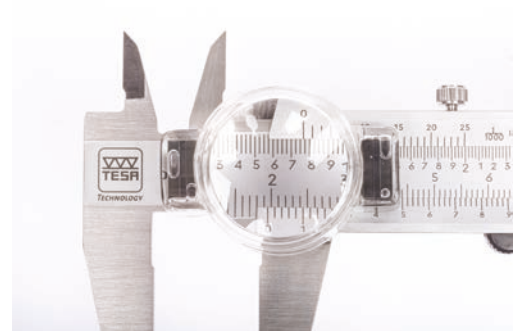


Magnetic magnifying glass for vernier instruments

Magnifying glass for easier reading of vernier scales on sliding instruments.



0051610365



Part number	Designation
0051610365	Magnetic magnifying glass, 3 x magnification

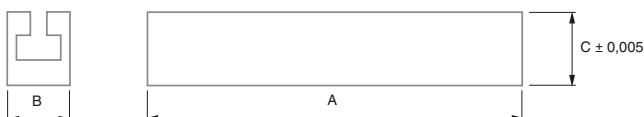
Removable bridge for depth calipers



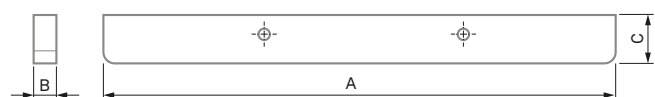
00560103



Part number	Designation	A mm	B mm	C mm
00560103	Removable bridge for digital depth caliper, 200 mm	200	11,5	10
00560104	Removable bridge for digital depth caliper, 300 mm	300	16	16
00560105	Removable bridge for digital depth caliper, 400 mm	400	16	16
00560108	Removable bridge for vernier depth caliper, 180 mm	180	8	17
00560109	Removable bridge for vernier depth caliper, 260 mm	260	8	17
00560110	Removable bridge for vernier depth caliper, 320 mm	320	8	17



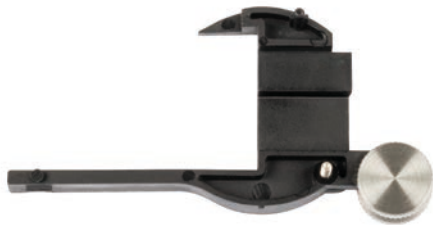
00560103



00560108

Accessories for calipers

Thumb roller for universal caliper TWIN-CAL 150 mm



00560106

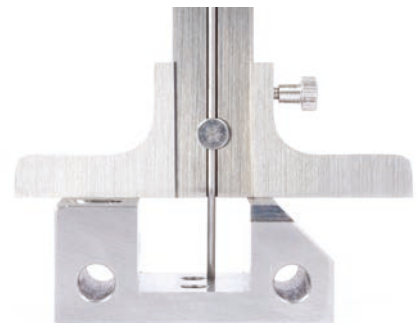


Part number	Designation
00560106	Thumb roller for universal calipers TWIN-CAL 150 mm

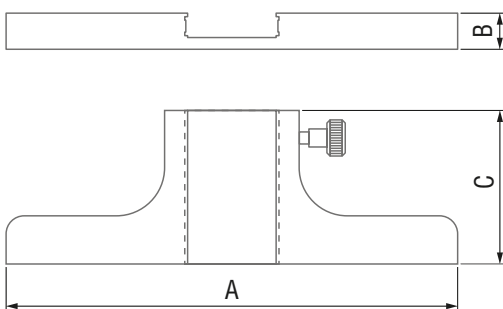
Depth foot for universal digital calipers



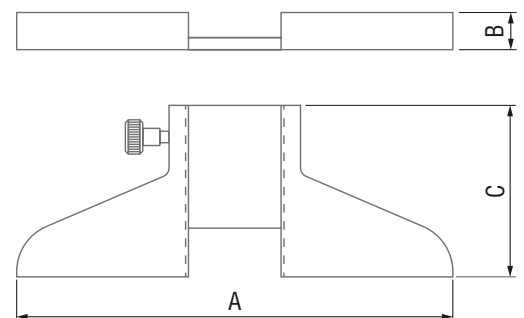
00560013



Part number	Designation	A mm	B mm	C mm
00560013	Depth foot for universal digital or dial calipers of 150 mm	75	6	25,5
00560055	Depth foot for universal vernier calipers of 150 mm	76,2	6,5	30



00560013



00560055

