

# *Altea*<sup>400</sup>



## **ALTEA-408**

---

DAS Audio Group, S.L. - C/ Islas Baleares 24 - 46988  
Fuente del Jarro - Valencia - Spain - Tel. +34961340860  
Updated (DD/MM/YYYY): 04/12/2024



SOUND WITH SOUL

## KEY FEATURES

- 2-way, full range system
- 8" bass loudspeaker
- 1" compression driver
- Angled enclosure design for stage monitor use
- Built-in rigging points
- Stand mountable

## DESCRIPTION

ALTEA-408 is a passive system designed to offer exceptional sound quality in a wide variety of applications, from PA in small events, to stage monitor and fixed installations. Altea-408 is capable of reproducing frequencies from 70 Hz to 20 kHz and delivers a maximum SPL of 122 dB, making it an extremely versatile system.

The system features a powerful 8" transducer with 2" voice coil for the reproduction of mid and low frequencies. For the high frequencies, the system features a compression driver with a 1" voice coil, offering exceptional performance. This configuration ensures exceptional clarity and outstanding performance. The diffuser designed to provide a 90° x 90° dispersion guarantees together with the rest of the components a wide and uniform sound dispersion.

ALTEA-408 is made of high-quality polypropylene, making it an extremely rugged and lightweight system, weighing only 9.4 kg (20.7 lb). Equipped with integrated ergonomic handles and M8 rigging points, this system is easy to transport and install, offering a practical and efficient solution for any sound setup.

# ALTEA-408

---

DAS Audio Group, S.L. - C/ Islas Baleares 24 - 46988  
Fuente del Jarro - Valencia - Spain - Tel. +34961340860  
Updated (DD/MM/YYYY): 04/12/2024



SOUND WITH SOUL

## SPECIFICATIONS

### Performance

Frequency Range (-10 dB)	70 Hz - 20 kHz
Horizontal Coverage (-6 dB)	90°
Vertical Coverage	90°
RMS Power Handling	150 W
Peak Power Handling	600 W
On-axis Sensitivity 1W/1 m	94 dB SPL
Maximum Peak SPL at 1 m	122 dB
Recommended Amplifier	INTEGRAL-A402 INTEGRAL-A1002 INTEGRAL-A1004

### Connectors

Audio Input Connector	1 x speakON NL4
Audio Output Connector	1 x speakON NL4

### Enclosure

Enclosure Construction	Polypropylene
Enclosure Geometry	Trapezoidal
Rigging	M8 Rigging Points
Color	Black
Depth	260 mm (10,2 in)
Dimensions ( H x W x D )	480 x 280 x 260 mm 18,9 x 11,0 x 10,2 in
Net Weight	9,4 kg ( 20,7 lb )

# ALTEA-408

DAS Audio Group, S.L. - C/ Islas Baleares 24 - 46988  
Fuente del Jarro - Valencia - Spain - Tel. +34961340860  
Updated (DD/MM/YYYY): 04/12/2024



SOUND WITH SOUL

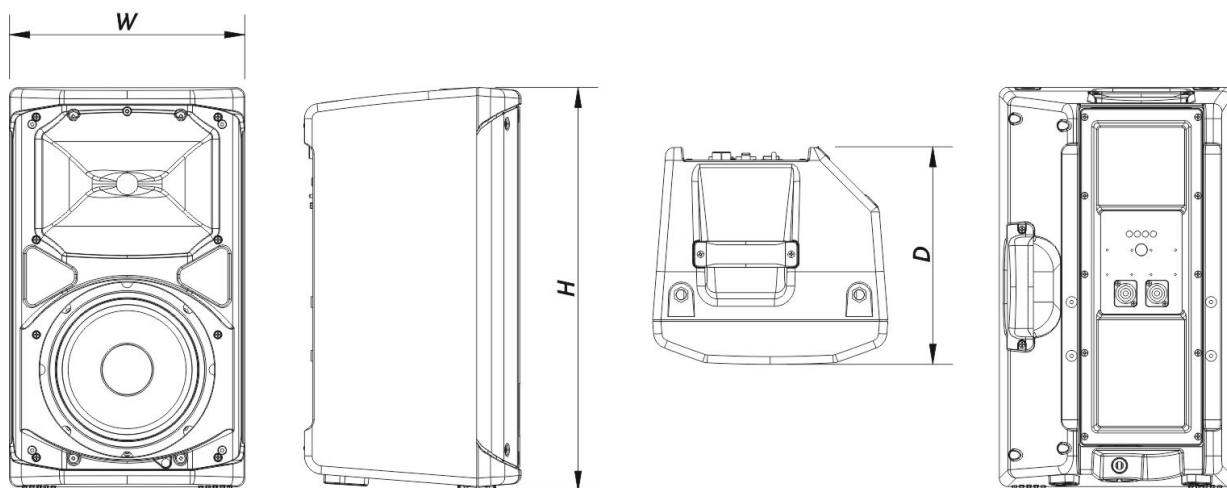
## Components

LF Driver	8GV
HF Driver	M-32

## Shipping

Carton Dimensions ( H x W x D )	550 x 350 x 340 mm 21,6 x 13,8 x 13,4 in
Shipping Weight	11,3 kg ( 24,9 lb )

## DIMENSIONS



## ORDERING INFORMATION

Model	Description	P/N
<b>System</b>		
ALTEA-408		10404990

## Replacement Parts

# ALTEA-408

DAS Audio Group, S.L. - C/ Islas Baleares 24 - 46988  
Fuente del Jarro - Valencia - Spain - Tel. +34961340860  
Updated (DD/MM/YYYY): 04/12/2024



SOUND WITH SOUL

8GV	Cone Transducer	20208984
M-32	Compression Driver	20208970
TC-ALT408	Filter	20150100

### Accessories

ANL-1	Rigging Accessories	10101010
ANL-1	Installation & Stacking Acc.	10101010
AX-112-5	Installation & Stacking Acc.	10102390
AXW-ALT	Installation & Stacking Acc.	10102391
FUN-AL408	Transport Accessories	10103782
TRD-6	Installation & Stacking Acc.	10104470
TRD-7	Installation & Stacking Acc.	10104471
TRPD-S2-PAK	Installation & Stacking Acc.	10104011

# ALTEA-408

DAS Audio Group, S.L. - C/ Islas Baleares 24 - 46988  
Fuente del Jarro - Valencia - Spain - Tel. +34961340860  
Updated (DD/MM/YYYY): 04/12/2024



SOUND WITH SOUL