

# Tubular ring terminals, KOR type

## FEATURES & BENEFITS

- ring terminal Cu, standard, with galvanic tin plating
- description of cable cross-section and terminal size on fin surface
- popular version for demanding applications
- very wide range

## MECHANICAL DATA

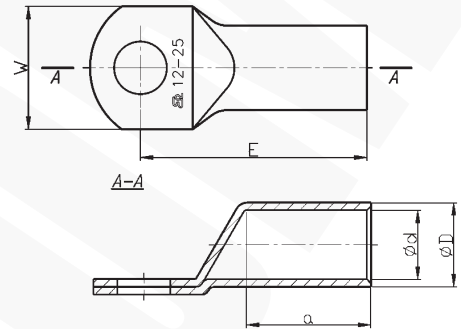
Material	Cu
Covering	tin-plated

## CERTIFICATES & STANDARDS

Standards	EN 61238-1: 2004 (Class A)
UL certificate	E475284
Design	standard

## NOTE!

Sector-shaped conductors (sm) must be rounded with special dies. UL certificate - visit [www.ergom.com](http://www.ergom.com)



Type	Index Ergom	Cross-section, mm <sup>2</sup> [mm <sup>2</sup> ]	d	D	a	E	W	Screw hole	UL	Socket code no.	Lz/s	Lz/w	Quantity in package [pcs]	Weight [kg]
KOR 0,75/3 (100 PCS)	E11KM-01020100150	0,75	1,3	2,8	5,8	12,0	6,0	M3	-	-	-	1	100	0,06
KOR 0,75/4 (100 PCS)	E11KM-01020100250					13,0	6,5	M4						
KOR 0,75/5 (100 PCS)	E11KM-01020100350					14,0	7,5	M5						
KOR 1,5/3 (100 PCS)	E11KM-01020100450	1,5	1,8	3,3	5,8	12,0	6,5	M3	-	-	-	1	100	0,08
KOR 1,5/4 (100 PCS)	E11KM-01020100560					13,0	7,5	M4						
KOR 1,5/5 (100 PCS)	E11KM-01020100660					14,0	7,5	M5						
KOR 1,5/6 (100 PCS)	E11KM-01020100760	2,5	2,3	4,2	5,8	16,0	9,0	M6	-	-	-	1	100	0,1
KOR 2,5/3 (100 PCS)	E11KM-01020100850					12,0	7,5	M3						
KOR 2,5/4 (100 PCS)	E11KM-01020100950					13,0	7,5	M4						
KOR 2,5/5 (100 PCS)	E11KM-01020101050	2,5	2,3	4,2	5,8	14,0	8,5	M5	-	-	-	1	100	0,14
KOR 2,5/6 (100 PCS)	E11KM-01020101150					16,0	9,5	M6						
KOR 2,5/8 (100 PCS)	E11KM-01020101220					20,0	13,0	M8						
KOR 4/4 (100 PCS)	E11KM-01020101360	4	3,0	5,0	7,8	18,0	8,5	M4	-	-	-	1	100	0,22
KOR 4/5 (100 PCS)	E11KM-01020101450					19,0	9,0	M5						
KOR 4/6 (100 PCS)	E11KM-01020101550					19,0	10,0	M6						
KOR 4/8 (100 PCS)	E11KM-01020101650	4	3,0	5,0	7,8	22,0	13,0	M8	-	-	-	1	100	0,26

Type	Index Ergom	Cross-section, mm <sup>2</sup> [mm <sup>2</sup> ]	d	D	a	E	W	Screw hole	UL	Socket code no.	Lz/s	Lz/w	Quantity in package [pcs]	Weight [kg]								
KOR 6/4 (100 PCS)	E11KM-01020101760	6	4,0	6,0	8,7	18,0	9,5	M4	-	4	1	1	100	0,3								
KOR 6/5 (100 PCS)	E11KM-01020101850					19,0		M5						0,31								
KOR 6/6 (100 PCS)	E11KM-01020101960					22,0	M6	0,35														
KOR 6/8 (100 PCS)	E11KM-01020102060					25,0	M8	0,37														
KOR 6/10 (100 PCS)	E11KM-01020102160					16,0	M10	0,4														
KOR 6/12 (100 PCS)	E11KM-01020102250					19,0	M12															
KOR 10/5 (100 PCS)	E11KM-01020102300	10	4,5	7,0	10	21,0	12,0	M5	√	7	1	1	100	0,53								
KOR 10/5 (10 PCS)	E11KM-01020102302					10		0,06														
KOR 10/6 (100 PCS)	E11KM-01020102400					21,5	M6	100					0,52									
KOR 10/6 (10 PCS)	E11KM-01020102402					10	0,06															
KOR 10/8 (100 PCS)	E11KM-01020102500					23,5	M8	100					0,6									
KOR 10/8 (10 PCS)	E11KM-01020102502					10	0,06															
KOR 10/10 (100 PCS)	E11KM-01020102600					25,5	M10	100					0,65									
KOR 10/10 (10 PCS)	E11KM-01020102602					10	0,07															
KOR 10/12 (100 PCS)	E11KM-01020102700					26,5	M12	100					0,64									
KOR 10/12 (10 PCS)	E11KM-01020102702					10	0,07															
KOR 16/5 (100 PCS)	E11KM-01020102800					16	5,5	8,5					13	25,0	12,0	M5	√	8	1	2	100	0,91
KOR 16/5 (10 PCS)	E11KM-01020102802													10		0,1						
KOR 16/6 (100 PCS)	E11KM-01020102900	25,5	M6	100	0,9																	
KOR 16/6 (10 PCS)	E11KM-01020102902	10	0,1																			
KOR 16/8 (100 PCS)	E11KM-01020103000	27,5	M8	100	0,97																	
KOR 16/8 (10 PCS)	E11KM-01020103002	14,0	10	0,1																		
KOR 16/8 W (100 PCS)	E11KM-01020103040	29,5	M10	100	0,97																	
KOR 16/10 (100 PCS)	E11KM-01020103100	30,5	M12	10	1,1																	
KOR 16/10 (10 PCS)	E11KM-01020103102	10	0,2																			
KOR 16/12 (100 PCS)	E11KM-01020103250	28,0	M5	100	1,18																	
KOR 16/12 (10 PCS)	E11KM-01020103252	10	0,2																			
KOR 25/5 (100 PCS)	E11KM-01020103300	28,5	M6	100	1,22																	
KOR 25/5 (10 PCS)	E11KM-01020103302	10	0,2																			
KOR 25/6 (100 PCS)	E11KM-01020103400	30,5	M8	100	1,25																	
KOR 25/6 (10 PCS)	E11KM-01020103402	10	0,2																			
KOR 25/8 (100 PCS)	E11KM-01020103500	32,5	M10	100	1,3																	
KOR 25/8 (10 PCS)	E11KM-01020103502	10	0,2																			
KOR 25/10 (100 PCS)	E11KM-01020103600	33,5	M12	100	1,3																	
KOR 25/10 (10 PCS)	E11KM-01020103602	10	0,2																			
KOR 25/12 (100 PCS)	E11KM-01020103700	35,5	M14	100	1,45																	
KOR 25/12 (10 PCS)	E11KM-01020103702	10	0,2																			
KOR 25/14 (100 PCS)	E11KM-01020103800	35	8,5	12,0	17	35,5	18,0	M5	√	12	1	2	100	1,6								
KOR 25/14 (10 PCS)	E11KM-01020103802					10		0,2														
KOR 35/5 (100 PCS)	E11KM-01020103890					31,5	M6	100					1,8									
KOR 35/5 (10 PCS)	E11KM-01020103892					10								0,2								
KOR 35/6 (100 PCS)	E11KM-01020103900					33,5	M8	100					1,94									
KOR 35/6 (10 PCS)	E11KM-01020103902					10	0,2															
KOR 35/8 (100 PCS)	E11KM-01020104000					35,5	M10	100					2,1									
KOR 35/8 (10 PCS)	E11KM-01020104002					10	0,3															
KOR 35/10 (100 PCS)	E11KM-01020104100					36,5	M12	100					2,05									
KOR 35/10 (10 PCS)	E11KM-01020104102					10	0,3															
KOR 35/12 (100 PCS)	E11KM-01020104200					38,5	M14	100					2,2									
KOR 35/12 (10 PCS)	E11KM-01020104202					10	0,3															
KOR 35/14 (100 PCS)	E11KM-01020104300	39,5	M16	100	2,3																	
KOR 35/14 (10 PCS)	E11KM-01020104302	10	0,3																			
KOR 35/16 (100 PCS)	E11KM-01020104400			100	2,3																	
KOR 35/16 (10 PCS)	E11KM-01020104402			10	0,3																	

Type	Index Ergom	Cross-section, r/m/sm [mm <sup>2</sup> ]	d	D	a	E	W	Screw hole	UL	Socket code no.	Lz/s	Lz/w	Quantity in package [pcs]	Weight [kg]											
KOR 50/6 (100 PCS)	E11KM-01020104500	50	10,0	14,0	19	34,5	20,0	M6	√	14	1	2	100	2,58											
KOR 50/6 (10 PCS)	E11KM-01020104502					10		0,3																	
KOR 50/8 (100 PCS)	E11KM-01020104600					36,5		M8					100	2,8											
KOR 50/8 (10 PCS)	E11KM-01020104602					10		0,3																	
KOR 50/10 (100 PCS)	E11KM-01020104700					38,5		M10					100	3,05											
KOR 50/10 (10 PCS)	E11KM-01020104702					10		0,3																	
KOR 50/12 (100 PCS)	E11KM-01020104800					39,5		M12					100	2,95											
KOR 50/12 (10 PCS)	E11KM-01020104802					23,0		10					0,3												
KOR 50/14 (100 PCS)	E11KM-01020104900					41,5		M14					100	3,2											
KOR 50/14 (10 PCS)	E11KM-01020104902					10		0,4																	
KOR 50/16 (100 PCS)	E11KM-01020105000					42,5		M16					100	3,3											
KOR 50/16 (10 PCS)	E11KM-01020105002					10		0,4																	
KOR 50/20 (100 PCS)	E11KM-01020105100					47,0		M20					100	3,6											
KOR 50/20 (10 PCS)	E11KM-01020105102					10		0,4																	
KOR 70/6 (100 PCS)	E11KM-01020105200					70		12,0					16,5	21	23,0	28,0	M6	√	16	1	2	100	4,25		
KOR 70/6 (10 PCS)	E11KM-01020105202																10					0,5			
KOR 70/8 (100 PCS)	E11KM-01020105300																40,5					M8	100	4,2	
KOR 70/8 (10 PCS)	E11KM-01020105302																10					0,5			
KOR 70/10 (100 PCS)	E11KM-01020105400																43,5					M10	100	4,6	
KOR 70/10 (10 PCS)	E11KM-01020105402																10					0,5			
KOR 70/12 (100 PCS)	E11KM-01020105500	46,5	M12	100	4,4																				
KOR 70/12 (10 PCS)	E11KM-01020105502	10	0,5																						
KOR 70/14 (100 PCS)	E11KM-01020105600	46,5	M14	100	4,9																				
KOR 70/14 (10 PCS)	E11KM-01020105602	10	0,5																						
KOR 70/16 (100 PCS)	E11KM-01020105700	51,0	M16	100	4,7																				
KOR 70/16 (10 PCS)	E11KM-01020105702	10	0,5																						
KOR 70/20 (100 PCS)	E11KM-01020105800	51,0	M20	100	5																				
KOR 70/20 (10 PCS)	E11KM-01020105802	10	0,5																						
KOR 95/8 (50 PCS)	E11KM-01020105900	95	13,5	18,0	24		26,0		29,0	M8	√	17					1					2	50	2,8	
KOR 95/8 (10 PCS)	E11KM-01020105902									10													0,6		
KOR 95/10 (50 PCS)	E11KM-01020106000									47,0													M10	50	2,72
KOR 95/10 (10 PCS)	E11KM-01020106002									10													0,6		
KOR 95/12 (50 PCS)	E11KM-01020106100									50,0													M12	50	2,65
KOR 95/12 (10 PCS)	E11KM-01020106102									10													0,6		
KOR 95/14 (50 PCS)	E11KM-01020106200					50,0		M14		50			2,85												
KOR 95/14 (10 PCS)	E11KM-01020106202					10		0,6																	
KOR 95/16 (50 PCS)	E11KM-01020106300					54,5		M16		50			2,85												
KOR 95/16 (10 PCS)	E11KM-01020106302					10		0,6																	
KOR 95/20 (50 PCS)	E11KM-01020106400					54,5		M20		50			3,1												
KOR 95/20 (10 PCS)	E11KM-01020106402					10		0,7																	
KOR 120/8 (50 PCS)	E11KM-01020106500	120	15,0	19,5	26	29,0	35,0	M8	√	19	1	2	50	3,3											
KOR 120/8 (10 PCS)	E11KM-01020106502							10					0,7												
KOR 120/10 (50 PCS)	E11KM-01020106600							50,0					M10	50	3,15										
KOR 120/10 (10 PCS)	E11KM-01020106602							10					0,7												
KOR 120/12 (50 PCS)	E11KM-01020106700							53,0					M12	50	3,17										
KOR 120/12 (10 PCS)	E11KM-01020106702							10					0,7												
KOR 120/14 (50 PCS)	E11KM-01020106800							53,0					M14	50	3,4										
KOR 120/14 (10 PCS)	E11KM-01020106802							10					0,7												
KOR 120/16 (50 PCS)	E11KM-01020106900							57,5					M16	50	3,4										
KOR 120/16 (10 PCS)	E11KM-01020106902							10					0,7												
KOR 120/20 (50 PCS)	E11KM-01020107000							57,5					M20	50	3,5										
KOR 120/20 (10 PCS)	E11KM-01020107002							10					0,8												

Type	Index Ergom	Cross-section, r/m/sm [mm²]	d	D	a	E	W	Screw hole	UL	Socket code no.	Lz/s	Lz/w	Quantity in package [pcs]	Weight [kg]												
KOR 150/8 (50 PCS)	E11KM-01020107100	150	16,5	21,0	29	54,0	31,0	M8	√	20	2	4	50	3,78												
KOR 150/8 (10 PCS)	E11KM-01020107102							10					0,8													
KOR 150/10 (50 PCS)	E11KM-01020107200							50					3,73													
KOR 150/10 (10 PCS)	E11KM-01020107202							10					0,8													
KOR 150/12 (50 PCS)	E11KM-01020107300							50					3,55													
KOR 150/12 (10 PCS)	E11KM-01020107302							10					0,8													
KOR 150/14 (50 PCS)	E11KM-01020107400					57,0	M14	50					3,9													
KOR 150/14 (10 PCS)	E11KM-01020107402							10					0,8													
KOR 150/16 (50 PCS)	E11KM-01020107500							50					3,8													
KOR 150/16 (10 PCS)	E11KM-01020107502							10					0,8													
KOR 150/20 (50 PCS)	E11KM-01020107600							50					4,2													
KOR 150/20 (10 PCS)	E11KM-01020107602							10					0,9													
KOR 185/10 (50 PCS)	E11KM-01020107700	185	19,0	24,0	30	56,5	35,0	M10	√	23	2	4	50	4,92												
KOR 185/10 (10 PCS)	E11KM-01020107702							10					1													
KOR 185/12 (50 PCS)	E11KM-01020107800							50					4,82													
KOR 185/12 (10 PCS)	E11KM-01020107802							10					1													
KOR 185/14 (50 PCS)	E11KM-01020107900							59,5					M14	50	5,35											
KOR 185/14 (10 PCS)	E11KM-01020107902													10	1,1											
KOR 185/16 (50 PCS)	E11KM-01020108000					50	5,11																			
KOR 185/16 (10 PCS)	E11KM-01020108002					10	1,1																			
KOR 185/20 (50 PCS)	E11KM-01020108100					50	5,5																			
KOR 185/20 (10 PCS)	E11KM-01020108102					10	1,2																			
KOR 240/10 (50 PCS)	E11KM-01020108200					240	21,0	26,0					38	73,5	38,0	M10	√	25	2	4	50	7,3				
KOR 240/10 (10 PCS)	E11KM-01020108202															10					1,5					
KOR 240/12 (50 PCS)	E11KM-01020108300	50	7,3																							
KOR 240/12 (10 PCS)	E11KM-01020108302	10	1,5																							
KOR 240/14 (50 PCS)	E11KM-01020108400	M14	50	7,2																						
KOR 240/14 (10 PCS)	E11KM-01020108402		10	1,5																						
KOR 240/16 (50 PCS)	E11KM-01020108500		M16	50	7,1																					
KOR 240/16 (10 PCS)	E11KM-01020108502			10	1,5																					
KOR 240/20 (50 PCS)	E11KM-01020108600			M20	50				7																	
KOR 240/20 (10 PCS)	E11KM-01020108602				10				1,5																	
KOR 300/10 (25 PCS)	E11KM-01020108700	300			24,0				30,0	45	82,5	43,0		M10	-	28					2	-	25	5,7		
KOR 300/10 (10 PCS)	E11KM-01020108702													10									2,3			
KOR 300/12 (25 PCS)	E11KM-01020108800		M12			25	5,5																			
KOR 300/12 (10 PCS)	E11KM-01020108802					10	2,3																			
KOR 300/14 (25 PCS)	E11KM-01020108900			M14		25	5,55																			
KOR 300/14 (10 PCS)	E11KM-01020108902					10	2,3																			
KOR 300/16 (25 PCS)	E11KM-01020109000					M16	25	5,5																		
KOR 300/16 (10 PCS)	E11KM-01020109002						10	2,3																		
KOR 300/20 (25 PCS)	E11KM-01020109100		M20				25	5,2																		
KOR 300/20 (10 PCS)	E11KM-01020109102						10	2,1																		
KOR 400/12	E11KM-01020109202			400			27,5	33,5					50	90,0			49,0	M12	-	32			2	-	1	0,3
KOR 400/16	E11KM-01020109402																	M16							1	0,3
KOR 400/20	E11KM-01020109502	M20			1	0,3																				
KOR 500/12	E11KM-01020109602	500		31,0	38,0	70	112,5	55,0	M12	-	36	3	-	1	0,5											
KOR 500/14	E11KM-01020109702		M14						1					0,5												
KOR 500/16	E11KM-01020109802		M16						1					0,5												
KOR 500/20	E11KM-01020109902		M20						1					0,5												
KOR 625/12	E11KM-01020110002	625	34,0	40,0	70	114,0	60	M12	-	42	3	-	1	0,5												
KOR 625/16	E11KM-01020110202							M16					1	0,5												
KOR 625/20	E11KM-01020110302							M20					1	0,5												

Lz/s - Number of crimping - wide Lz/w - Number of crimping - narrow