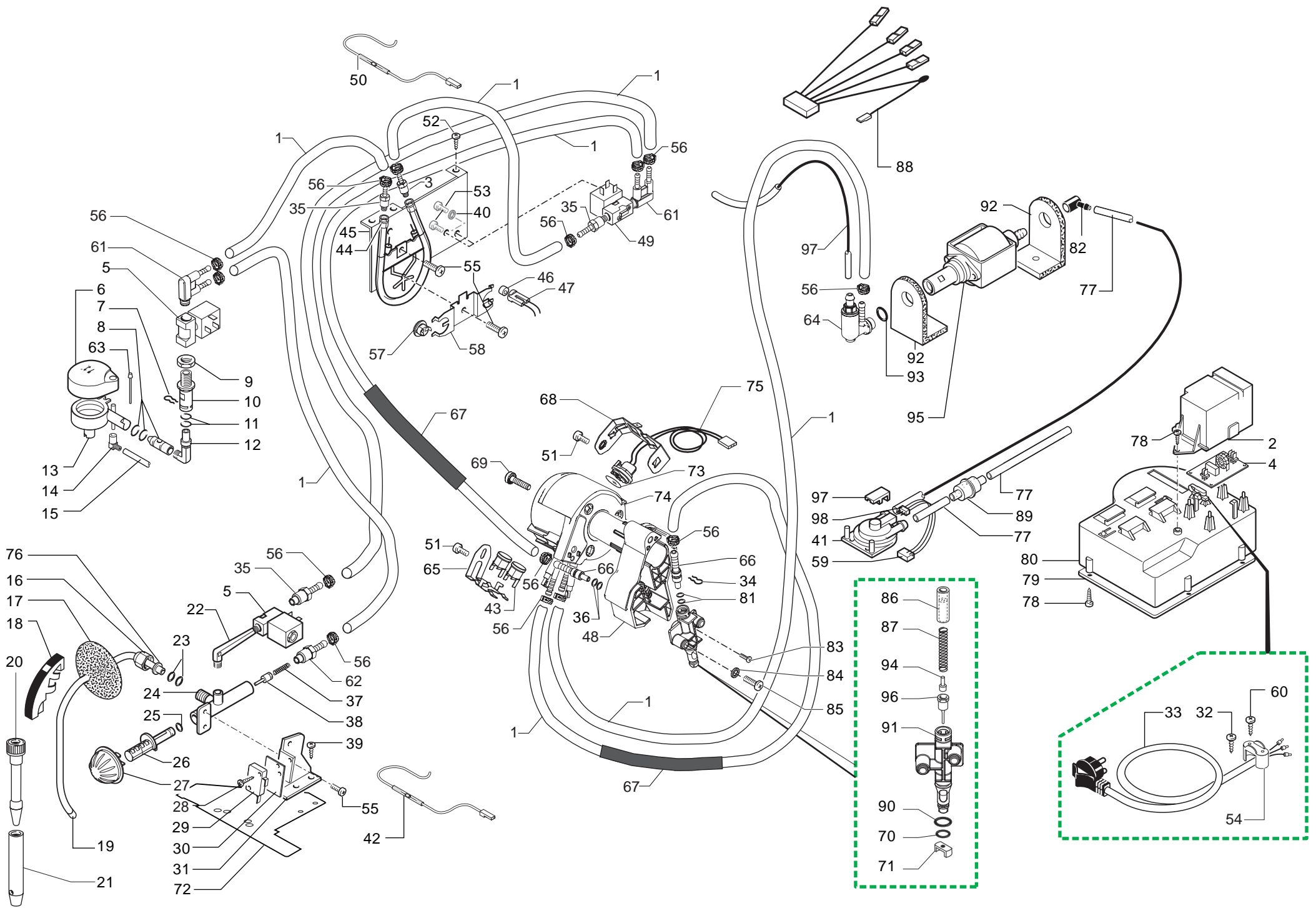


# E74161

Pos	Article-Nr.	Description	Pos	Article-Nr.	Description
1	0347.810	CONNECTOR 4 POLES CUPWARMER ASSY	48	0301.020	PIN FOR DOOR SUPERAUTOMATICA
2	NF18.001	PLATE FOR PIN D.3,2	49	9161.140	SEAL FOR UNIT PLATE
3	0347.011.050	FIDEX SLEEVE	50	147623150	BLACK SQUARE ADHESIVE FOOT 5023
4	JS01.005	SILICONE TUBE 5X8 ROLL BROWN	51	0301.041.150	UNIT SUPPORT PLATE GREY
5	0347.006.710	MOBILE DISPENSER CASING GREY	52	0301.046.230	WATER TANK ASS. SUPERAUTOM.
6	NM02.010	OR ORM 0050-20 TERMOIL	52	0317.A16.230	WATER TANK ASS. MAGIC UL
7	0347.005.710	FIXED CASING DISPENSER BLACK	53	20006540	KIT RIC.COP.CAF.ARG+COP.ACQ.ARG.
8	0347.A02.710	WHOLE MESH GREY UPPER DISP.RAL 7	54	NM01.032	RED SILICONE OR ORM 0060-30
9	0360.024.050	CAP FOR BODY	55	9161.110	SPRING FOR PISTON FOR SUPERAUTOM
10	0347.A05.710	WHOLE MESH GREY LOWER DISP. RAL7	56	147660562	GREY PISTON FOR WATER CONTAINER
11	0347.A03.710	DISPENSER ASS. GREY RAL 7021	57	9161.050.230	NAT/TRANSP.FLOATING SPACE PLUG M
12	0301.033.150	TANK CASING GREY	58	9161.112.150	GREY LEVEL FLOAT
13	129670202	TCB PANELVIT SCREW 3,5X16 TESTA	59	0313.001.660	DOOR COVER S/SCREEN GREY
14	0347.009.430	CHROMATE GRID FOR TANK	59	0313.001.760	DOOR ASS. ROYLA BLUE
15	0347.013.970	RED BALL FLOAT	60	0313.012.660	COVER FOR DOOR S/SCREENED
16	0347.004.430	CHROMATE DISPENSER COVER	60	0313.012.760	DOOR COVER S/SCREEN BLUE
17	0314.022.760	BLUE DRIP TRAY	61	0301.040.150	DOOR CLOSURE LEVER GREY
17	0314.022.770	SILVER DRIP TRAY	62	U433.001	NAIL 2X06 UNI 7591 BURN.
18	0312.016.050	RUBBER TUBE HOLDER BLACK	63	0301.039.660	TF/SILVER DOOR CLOSURE KNOB
19	0312.015.66A	230V-CLEAR/GREY CUPWARMING PLATE	63	0301.039.760	BLUE DOOR CLOSURE KNOB
19	0312.015.66F	120V-CLEAR/GREY CUPWARMING PLATE	64	0314.904	TECHMATE LEFT LOWER INSERT
20	0312.014	CUPWARMER SEAL	65	13000873	
21	0312.017	TUBE FOR CASING LID	66	0314.906	TECHMATE RIGHT UPPER INSERT
22	U201.005	PLAIN WASHER 4,3X12 DIN 7349	67	21001404	ACC SAE BRITA UNI.WAT.FILTERX1 E
23	129573202	SCREW TCB TORX 20 M4X8 AUTOFORMI	67	21001406	
24	0327.036	GENERAL SWITCH PROTECTION	68	15002670	INSTR.MANUAL PR ROYAL PROFESS.EN
25	U043.012	SCREW TCB TORX 20 M4X6 ZN-B	68	15002671	INSTR.MANUAL PR ROYAL PROFESS.FR
26	NE03.038	BIPOLAR SWITCH FUSIT C1250AR	68	0351.951	INST. BOOKLET DIGITAL D
27	11025913		68	0351.952	INST. BOOKLET DIGITAL F
27	11025915		68	0351.953	INST. BOOKLET DIGITAL I
28	U110.005	screw AUT.TCB 3,9X9,5 DIN 7981	68	0351.954	INST. BOOKLET DIGITAL NL
29	11025950	ROYAL/BLUE DUMP BOX V2	68	0351.955	INST. BOOKLET DIGITAL GB
29	11025952	SILVER DUMP BOX V2	68	0351.956	INST. BOOKLET DIGITAL E
30	0301.048.150	ROTATING RING GREY	68	0351.957	INST. BOOKLET DIGITAL P
31	9991.096	ADHESIVE FOOT 8X15X3,2	69	127390100	BRUSH FOR CLEANING
32	NE15.003	MALE TONGUE PLAIN 6,3 D.5,2	70	146680659	GREY MEASURE WITH HOLE
33	128310402	GALV.WASHER UNI 8842 A4	71	11005044	SAECO KLUBER TRIBOSTAR SIL 2 TUB
34	147700200	LOADING PUMP DIAMETER 17 MM	72	0314.907	TECHMATE LEFT UPPER INSERT
35	0701.031.150	GREY WATER VALVE GACO DIM 14 SEA	73	0314.909	DRIP TRAY BOX
36	145842900	NBR WATER CONT.VALVE GACO DIM14	74	0330.906	SPACER IN POLYSTYRENE
37	12000895	SCREW TSP TORX 10 3X10 PLAST.SS			
38	0701.014.150	GREY WATER VALVE GACO DIM 14 SEA			
39	140320461	OR ORM 0080-20 IN TERMOIL			
40	129913202	SCREW TCB TORX 10 3X8 PLAST.ZN-B			
41	0314.905	TECHMATE RIGHT LOWER INSERT			
42	0329.006.230	COFFEE CONTAINER			
42	0317.010.230	COFFEE CONTAINER UL			
43	129512921	SCREW TCB TORX 10 AB 2,9X13 SHEE			
44	0334.011.770	DOSER LID UL DIGITAL SILVER			
44	0313.008.770	SILVER DOSER LID DIGITAL			
45	0312.013.050	PLUG FOR SCREW HOLE BLACK			

# E74161

Pos	Article-Nr.	Description	Pos	Article-Nr.	Description
46	0366.002.770	LID SAECO PROFESSIONAL SILVER			
46	0351.001.770	LID SAECO PROFESSIONAL SILVER			
47	0301.019	PEG FOR DOOR SUPERAUTOM.			

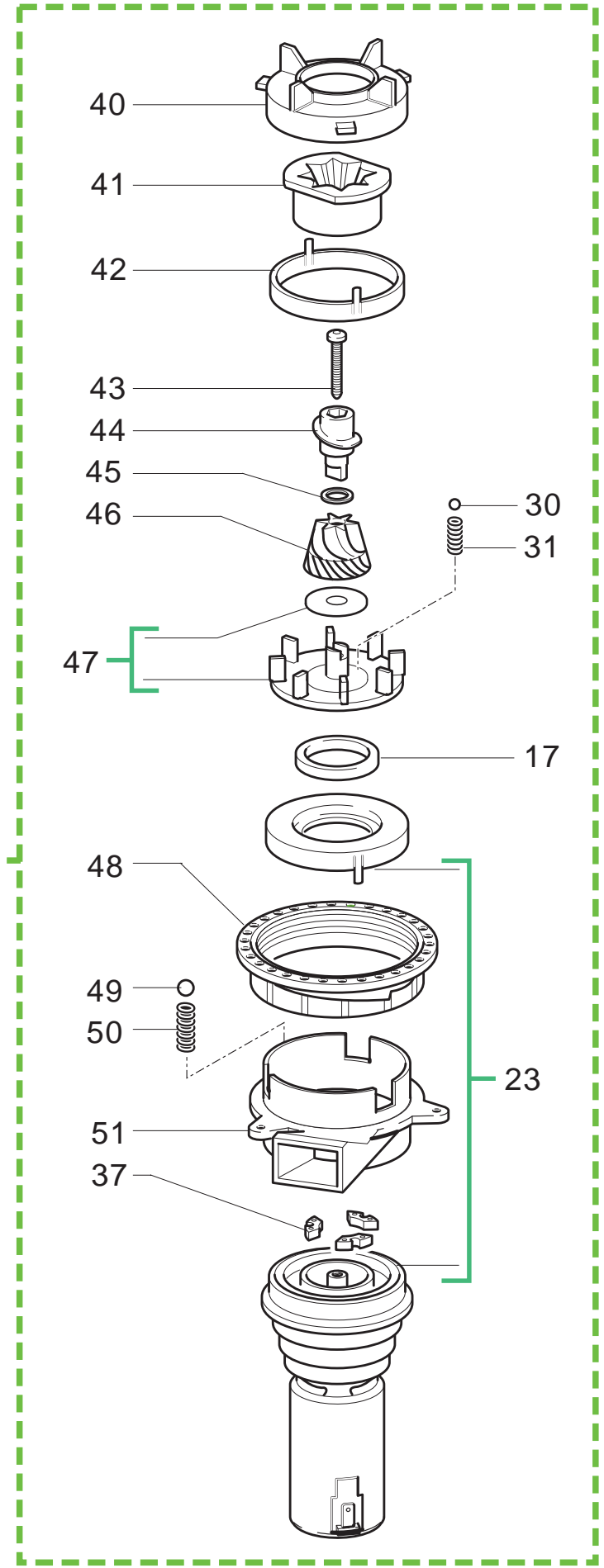
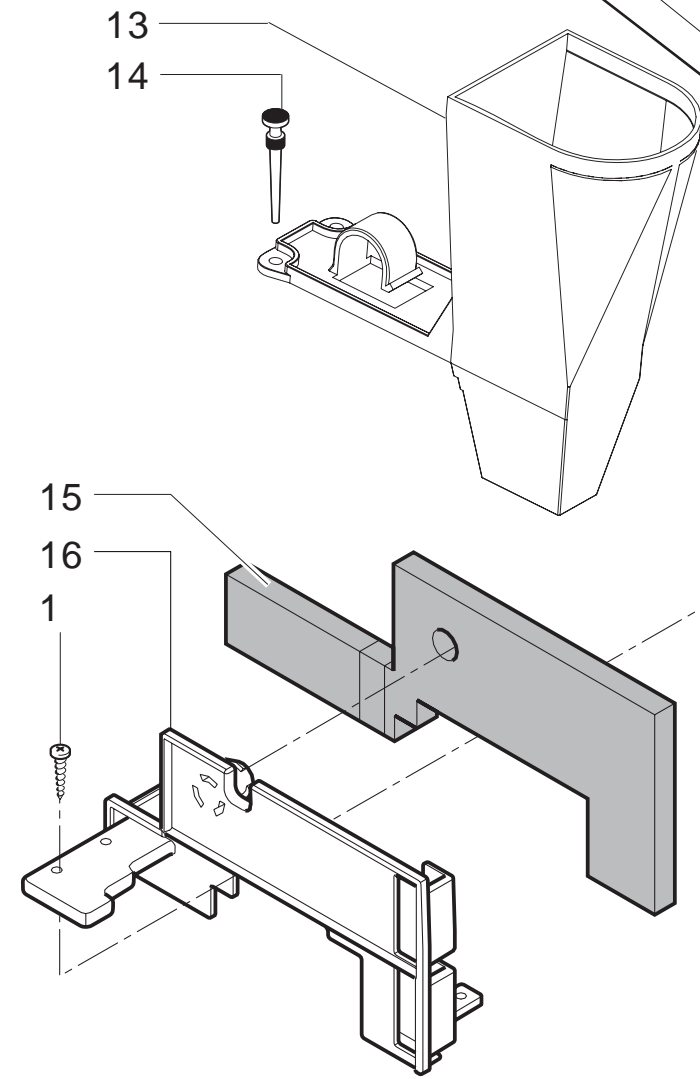
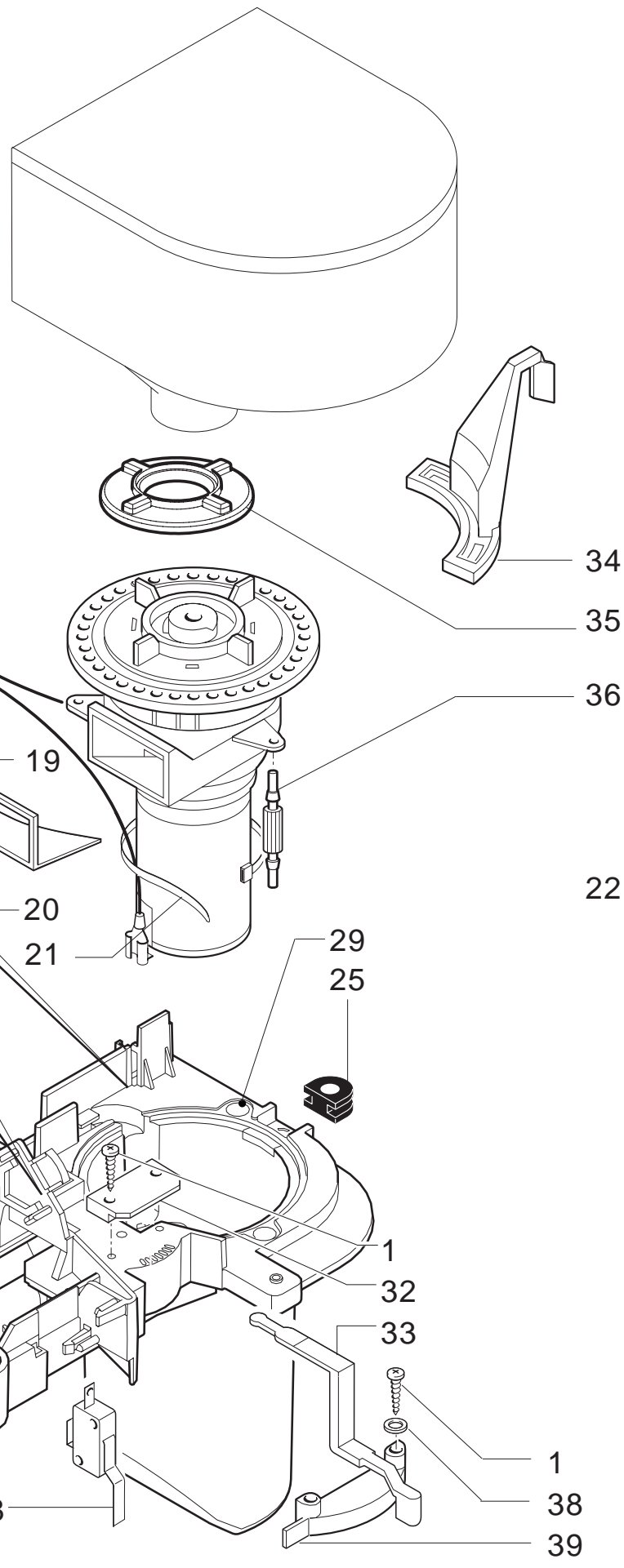
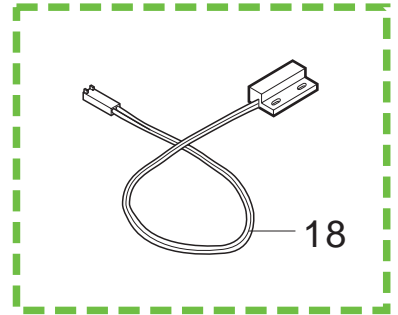
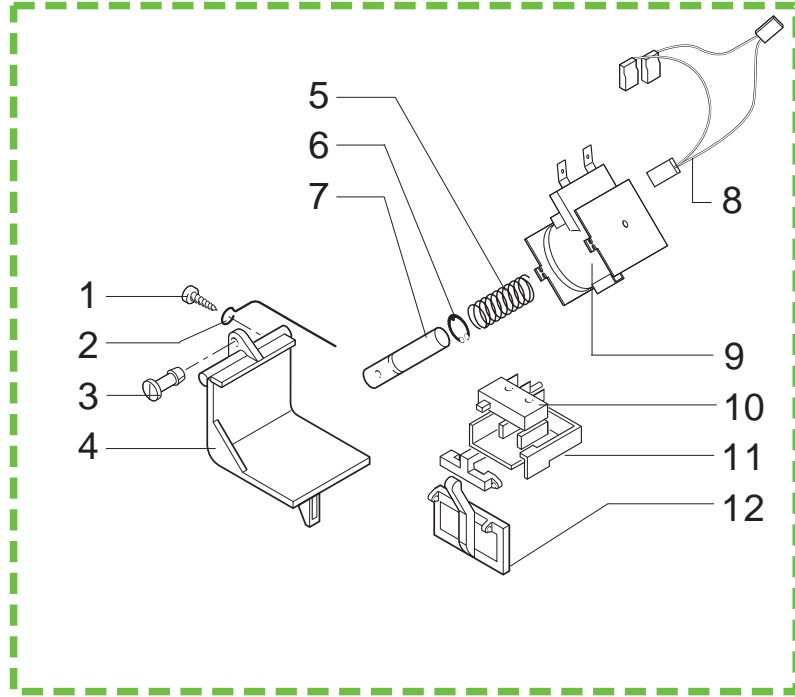


# E74161

Pos	Article-Nr.	Description	Pos	Article-Nr.	Description
1	16000380	5X8,9 SILICONE TUBE IN ROLL	44	11010392	BLECKMANN BOILER V2 PROFESS.100V
2	9161.126.150	COVER FOR FILTER CARD GREY	45	0334.001	NEW SYSTEM BRACKET
2	9161.336.150	COVER FOR FILTER CARD GREY UL	46	11004424	ALUM.SPACER FOR PHILIPS SENSOR M
3	11010261	TEA/BRASS INLET CONNECTOR BOILER	47	9019.A72	SENSOR ROYAL ASSY.
4	0301.828.00F	FILTRATION CARD SUPERAUTOM. 120	47	9019.A73	SENSOR ROYAL UL ASSY.
4	0314.804	FILTRATION CARD 12A	48	11010338	BLACK TUBOL BOILER SUPPORT V2 FO
5	11008569	SOLEN.VALVE 15VA 2 WAY 1/8" FEM.	49	11008573	SOLEN.VALVE 15VA 2W.1/8"FEM.DN3
5	11008570	SOLEN.VALVE 21VA 2 WAY 1/8" FEM.	49	11008574	SOLEN.VALVE 21VA 2W.1/8"FEM.DN3
5	11008571	SOLEN.VALVE 15VA 2 WAY 1/8" FEM.	49	11008575	SOLEN.VALVE 15VA 2W.1/8"FEM.DN3
6	0314.018.710	COVER FOR CAPPUCINA. PAINTED G	50	0334.822	CABLE 1 WIRE SILIC.WHITE TH/FUSE
6	0314.018.760	COVER FOR CAPPUCINATORE BLUE	50	0334.823	CABLE 1WIRE SIL.WHITE AWG16 TH/F
7	9161.135	SPRING FOR STEAM FAUCET	51	129573202	SCREW TCB TORX 20 M4X8 AUTOFORMI
8	142270200	TUBE+W/O RETAIN.CAPPUCINATORE +	52	U110.004	screw AUT.TCB 3,5X6,5 DIN 7981
9	U303.002	nut HEXAGONAL M12X1,25UNI 55	53	U043.012	SCREW TCB TORX 20 M4X6 ZN-B
10	11008452	TEA/BRASS SUPPORT FOR 90°CONNECT	54	9991.039	CABLE RETAINER UL
11	NM02.007	OR 2025 TERMOIL	55	U046.003	SCREW TCBD TORX 20 M4X12 ZN-B
12	11008451	TEA/BRASS 90°CONNECT.FOR CAPPUC	56	12000892	OETIKER CLAMP D=9,5 16700004
13	142520130	CAPPUCINATORE AS.NEUTRAL WHITE	57	NE09.006	THERMOSTAT 170°NC FAST. 90°+WASH
14	9991.122.010	CONN. FOR CAPPUCINATORE WHITE	58	9011.187	THERMOSTAT RETAINING SPRING
15	9972.045	SILICONE TUBE 3,5X6 L.350 MM	59	0347.817	CONNECT.3 POLES TURBINE ASSY.
16	9161.438	NUT FOR STEAM TUBE	59	0348.808	CONNECTOR ASS. 3POLE
17	9161.058.150	INTERNAL PROTECTION FOR TUBE GRE	60	U109.005	screw AUT.TCB 3,5X16 DIN 7981
18	9161.055.710	HANDGRIP FOR ST. TUBE GREY	61	11010243	TEA/BRASS 90° DOUBLE CONNECTOR
19	11004225	STAINLESS STEEL STEAM TUBE ROYAL	62	11011243	TEA/BRASS CONNECTOR FOR FAUCET
20	9990.005.050	PANNARELLO ASS.MIELE BLACK	63	148870130	WHITE CAPPUCINATORE PIN
21	9991.153	EXTERNAL COVER PANNAREL.CHROMED	64	11010166	PLAST-TEA/BR.SAFETY VALVE 16-18
22	11008453	TEA/BRASS 90° CONNECTOR FOR FAUC	65	126838117	2 THERMOSTATS FIXING SPRING
23	140324461	OR ORM 0060-20 IN TERMOIL	66	11000750	TEA/BRASS CONNECTOR FOR SILICONE
24	11009006	TEA/BRASS FAUCET BODY	67	16000540	TRANSPAR.10,5X12,3 SILICONE TUBE
25	140321461	OR 2018 IN EPDM	68	126838017	SENSOR FIXING SPRING
26	9161.057	STEAM FAUCET ROD	69	129932202	ROUND HEAD SCREW 10.9 M5X20 GALV
27	0347.017.710	GREY STEAM KNOB RAL 7021 SERIG.	70	NM01.057	OR ORM 0050-20 IN SILICONE
28	U109.027	SCREW TCB TORX 10 AB 2,9X19 SHEE	71	9011.099	HOT WATER PIN CURSOR
29	NE05.013	MICROSWITCH SAIA XGK52-81-J23	72	11000839	BLACK CLOSURE PLATE
30	11009072	INSULATE PROTECTION 24X38,8 FOR	73	145951600	ELECTRIC INSULATING DISK D=16
31	0312.011	STEAM FAUCET BRACKET	74	11004667	V5 TUB.BOILER W/ADDIT.RESIST.110
32	U140.009	PANELVIT TCB 3,0X16 DIN 7505 B	74	11004668	V5 TUB.BOILER W/ADDIT.RESIST.110
33	17800032	BLACK POWER CABLE BRAZIL 3F.L=17	74	11004669	V5 TUB.BOILER W/ADDIT.RESIST.110
33	NE01.112	CABLE TW 3 POLE GREY 1 MM 120V	75	288582300	SENSOR ELECT.BOARD WITH CONNECTO
33	NE01.114	POWER CABLE AUSTRALIA	76	9161.444	SPACER
33	NE01.118	BLACK POWER CABLE CH L=1500MM	77	JS01.022	SILICONE TUBE 5X10 60SH IN ROLL
33	NE01.120	BLACK POWER CABLE SCHUKO L=1500	78	129670202	TCB PANELVIT SCREW 3,5X16 TESTA
34	9011.144	SS FORK FOR TUBE D=4	79	0301.055.150	LID FOR POWER CABLE CONT. GREY
35	11006304	TEA/BRASS CONNECTOR FOR ALUM.BOI	80	0301.056.150	POWER CABLE CONT. VDE GREY
36	140328059	OR 2015 IN SILICONE PTFE/FDA	80	0335.008.150	POWER SUPPLY CABLE GREY UL
37	126765317	STEEL SPRING BOILER PISTON MAGIC	81	140326662	OR METRIC 0040-20 IN SILICONE
38	11009018	TEA/BRASS PISTON L=15,1 ASSY.	82	147920150	90° INLET PUMP CONNECTOR
39	U110.013	screw AUT.TCB 3,9X6,5 DIN 7981	83	U140.004	PANELVIT TCB 3,0X12 DIN 7505 B
40	128310404	WASHER UNI 8842 A4 BURNISHED	84	128310521	WASHER UNI 8842 A5 SS
41	286473300	-M-VDE TURBINE WITH SENSOR KIT	85	U043.030	screw TCBC M5,0X30 UNI 7687 GA
42	0354.809	CABLE 1WIRE SILIC.BLUE TH/FUSE 1	86	11009012	TEA/BRASS BOILER PIN BUSH

# E74161

Pos	Article-Nr.	Description	Pos	Article-Nr.	Description
43	189428200	THERMOSTAT 175° 1NT-08L-3794	87	9011.132	SS SPRING FOR PIN
44	11010390	BLECKMANN BOILER V2 PROFESS.230V	88	0334.803	CONN.ASS. 5POLE
44	11010391	BLECKMANN BOILER V2 PROFESS.120V	88	0334.810	CONN.ASS. 5POLE UL
89	144650300	ASPIRATION FILTER GAUZE NET 500			
90	NM01.035	OR ORM 0090-20 SILICONE			
91	9161.434	HOT WATER PIN			
92	149185850	EATON PUMP SUPPORT 4002012 MAGIC			
93	140321961	OR 2031 IN TERMOIL			
94	11009013	TEA/BRASS PIN FOR PISTON L=10			
95	12000130	ULKA PUMP EP5/S GW 100V-50/60HZ			
95	12000131	ULKA PUMP EP5/S 120V-60HZ			
95	12000132	ULKA PUMP EP5/S GW 220V-50/60HZ			
95	12000140	ULKA PUMP EP5/S GW 230V-50HZ			
96	11009019	TEA/BRASS PISTON L=20,9 ASSY.			
97	9161.018	BRACKET FOR TURBINE			
100	11010324	BOILER V2 PROFESSIONAL 120V ASSY			
100	11010325	BOILER V2 PROFESSIONAL 100V ASSY			
100	11010379	BOILER V2 PROFESSIONAL 230V ASSY			



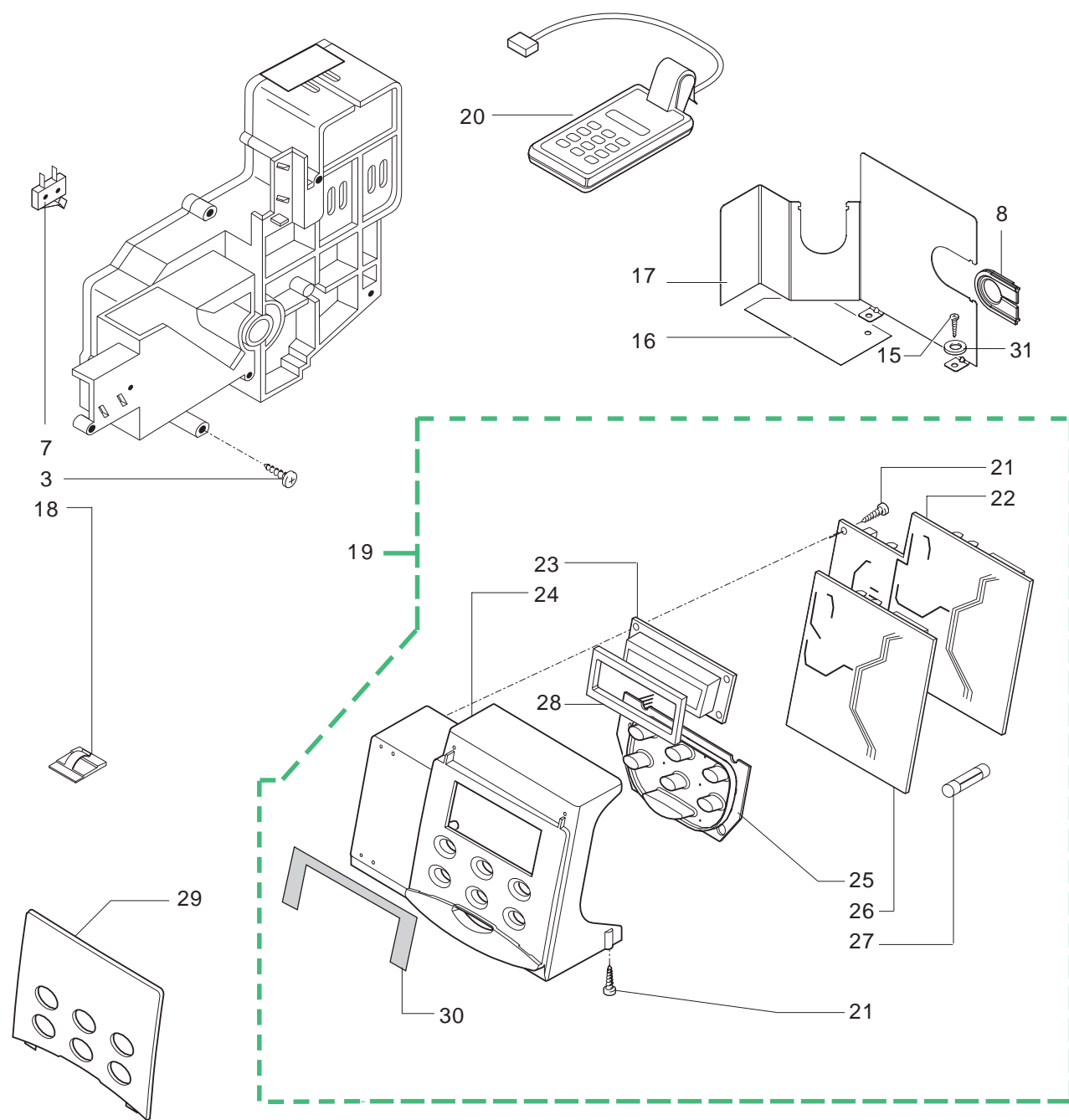
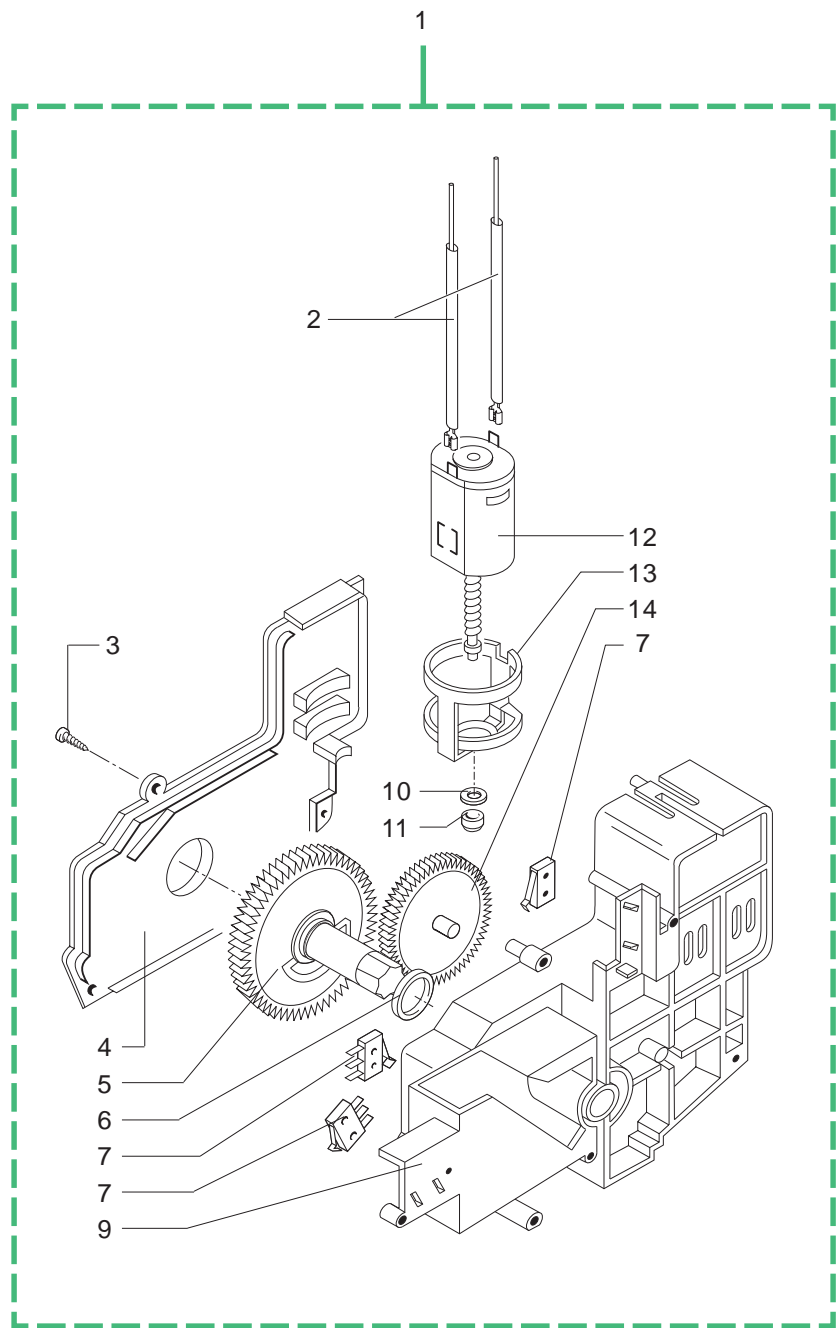
# E74161

Pos	Article-Nr.	Description	Pos	Article-Nr.	Description
1	129913902	SCREW TCB TORX 10 3X12 PLAST.ZN-	48	146570950	RING NUT FOR GRINDING ADJUSTMENT
2	9161.048	SCRAPER ROD	49	128610421	STAIL.STELL AISI 304 SPHERE D=3,
3	9161.076.150	DOSER DOOR PIN GREY	50	126770117	NEW SPRING SPHERE D=3,2 MOTOR M
4	9161.074.150	DOSER DOOR GREY	51	9141.080	MOTOR SUPPORT
5	126764818	SPRING ELECTROM.BEAN DOSER MAG			
6	U701.003	SNAP RING 7 UNI 7434			
7	9161.041	DOSER ELECTROMAGNET CORE			
8	0301.866	CONNECTOR ASS. 2 POLE DOSER COI			
9	9129.A07.00F	COFFEE DOSER COIL ASS.120V			
9	9129.A21.00A	DOSER COIL FOR SUPERAUTOM.230V A			
10	NE05.017	MICROSWITCH			
11	9161.072.150	MICRO SUPPORT CURSOR GREY			
12	9161.073.150	DOSE CONTROL COMPENSATOR GREY			
13	9161.223.150	COMPL.HOPP.FOR POWDER COFFEE GRE			
14	9161.082	RUBBER COUPLER			
15	9161.382	INSULATOR FOR COFFEE GRINDER			
16	9161.366.150	GREY/7016 SUPPORT FOR INSULATOR			
17	140360200	FELT RING 40X34X5			
18	0301.811	CONNECTOR 2 POLES LEVEL ASSY.			
18	0317.829	CONNECTOR 2 POLES LEVEL UL ASSY.			
19	0301.868	2P.CONNECTOR COFFEE GRINDER ROYA			
19	0301.869	CONNECTOR ASS. 2 POLE COFFEEGRI			
20	1505.014	COFFEEGRINDER SEAL			
21	144320200	SELF LOCK STRIP W=2.6 L=200			
22	9140.035.00A	ASS.MACINACAFFE'ITA 230V			
22	9140.036.00A	COFFEE GRINDER STD 230V ASSY.			
22	9140.036.00F	COFFEE GRINDER STD 120V ASSY.			
22	9140.036.00R	COFFEE GRINDER STD 100V 50/60HZ			
23	1501.R09.00F	MOTOR SPARE UNIT 120V			
23	1501.R09.00R	MOTOR SPARE UNIT 100V			
23	0301.R10.00A	SPARE MOTOR UNIT MC 230V			
24	U043.004	ZN-B TCB SCREW M4X16			
25	9991.005	RUBBER FOR COFFEE GRINDER			
26	9141.003	SPACER FOR RUBBER			
27	U324.006	NUT M4 FLANGED INDENTED BASE			
28	NE05.037	MICROSWITCH			
29	9161.365.150	GREY PLATE FOR COFFEEGRINDER			
30	128610521	STAIL.STEEL AISI 304 SPHERE D=5,			
31	126765517	STEEL SPRING SPHERE D=5,5 MOTOR			
32	9161.097.150	LEVER FIXING PLATE GREY			
33	0313.003.150	ADJUSTMENT LEVER GREY RAL 7016			
34	9161.080.910	GRINDING ADJUSTM.LEVER SILV.TURM			
35	1505.020	GASKET COFFEE GRINDER UL			
36	9991.103	ANTIVIBRATION FOR COFFEEGRINDER			
37	140230400	SHOCK ABS .CONICAL GRINDER SUPP.			
38	U201.001	PLAIN WASHER 3,2X9 DIN 7349 GALV			
39	9161.403.150	GREY COFFEE DOSE ADJUSTAMENT SCA			
40	149186150	BLACK UPPER GRINDER SUPPORT MAGI			
42	142844550	UPPER GRINDER COVER COFFEE GRIND			
43	129931002	TORX SCREW T10 TCB 3,5X40 SX ZNG			
44	147470763	INCREASE SCREW PIN COFFEE GRINDE			



# E74161

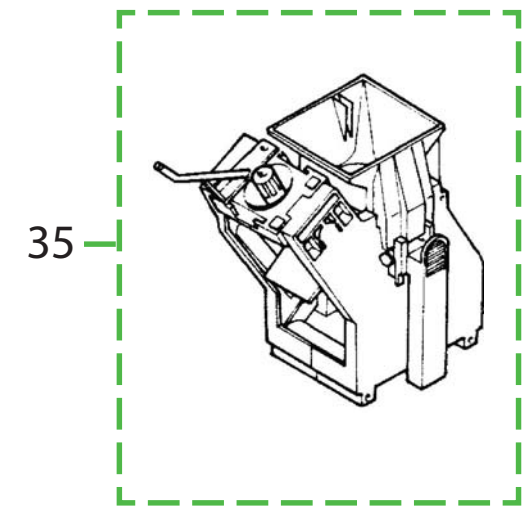
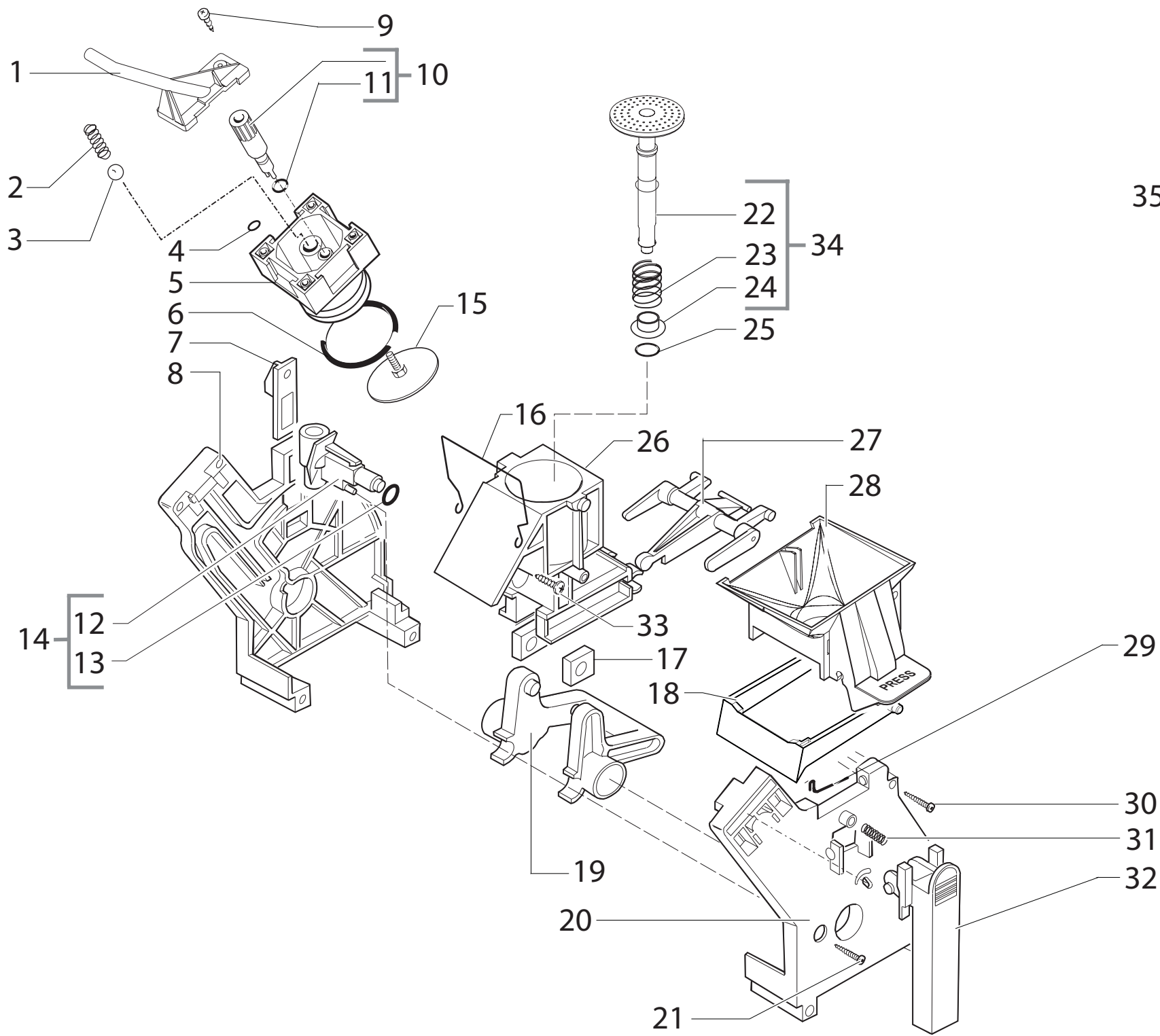
Pos	Article-Nr.	Description	Pos	Article-Nr.	Description
45	U201.002	PLAIN WASHER 10X16X0,2DIN 988			
46	226473500	KIT TECNA GRINDERS			
47	149188750	CONICAL GRIND. SUPP. + RING MAG			



# E74161

Pos	Article-Nr.	Description
1	9120.051.150	WIRED RATIOMOTOR ROYAL GREY ASSY
1	9120.057.150	WIRED RATIOMOTOR ROYAL UL ASSY.
3	129670202	TCB PANELVIT SCREW 3,5X16 TESTA
4	9121.043.150	GREY RATIOMOTOR LID
5	9121.069.150	GEAR Z=108 FOR MOUNTING PLATE M4
6	9161.368	MYLAR WASHER FOR RATIOMOTOR
7	NE05.038	MICROSWITCH
8	9161.429	PASSACAVO GRANDE X SQUADRETTA
9	9121.063.150	GREY RATIOMOTOR CASING WITH DUCT
10	148380200	BAKELIZZATE WASHER D=5,5
11	9121.046	BRONZE SINTERED BUSH FOR MOTOR R
12	9120.059	GEN.MOTOR FOR RATIOMOTOR ROYAL D
12	9120.053	MOTOR FOR RATIOMOTOR ROYAL ASSY.
13	9121.044	ANTIVIBRATION FOR MOTOR
14	9121.042	GEAR Z.12/90
15	U110.004	screw AUT.TCB 3,5X6,5 DIN 7981
16	0360.025	MYLAR GUARD FOR ELECTRONICS
17	9161.427.050	PROTECTION BRACKET
18	NE17.002	ADH.CABLE RETAI.ROUND CABLE D=1
19	0351.R03.77A	SPARES WHOLE ELECTRONICS
19	0351.R03.77F	SPARES WHOLE ELECTRONICS
19	0351.R03.77R	SPARES WHOLE ELECTRONICS
19	0351.R04.77A	SPARES WHOLE ELECTRONICS
20	20000922	KIT COMPLETE PROGRAMMER SW SERKI
21	129913202	SCREW TCB TORX 10 3X8 PLAST.ZN-B
22	0351.804.00A	POWER CARD ROYAL PROFESSIONAL 2
22	0351.804.00F	POWER CARD ROYAL PROFESSIONAL 1
23	0347.816	DISPLAY FOR ROYAL REDESIGN
24	11006458	SILVER ELECTRONICS SUPPORT ROYAL
25	0348.801	WHOLE KEYBOARD DIGITAL PLUS
26	0351.803	CPU/TOUCH PANEL PROFESSIONAL
26	0351.808	CPU/TOUCH PANEL PROFESSIONAL ITA
26	0351.820	CPU/TOUCH PANEL PROFESSIONAL
26	0351.821	CPU/TOUCH PANEL PROFESSIONAL
27	184950300	FUSE T32 M.AMP.5X20 DELAYED
27	184950400	FUSE T8 AMP.5X20 SAND-BLASTED
28	149090500	DOUBLE SIDED ADHESIVE STRIP
29	0351.002.770	SILVER SERIGRAPHED ESCUTCHEON
29	0354.004.770	SILVER SERIGRAPHED ESCUTCHEON
30	0347.015	ADHESIVE FOR PACKAGING
31	128310404	WASHER UNI 8842 A4 BURNISHED

Pos	Article-Nr.	Description
-----	-------------	-------------



# E74161

Pos	Article-Nr.	Description	Pos	Article-Nr.	Description
1	11003789	BLACK COFFEE OUTLET SLEEVE			
2	9161.222	SS.CONICAL SPRING			
3	9991.168	GLASS SPHERE D.5MM			
4	11021334	BLK COUNTERPISTON SEAL DE=11 DI=			
5	11003796	BLACK COUNTERPISTON FOR COFFEE U			
6	NM01.044	OR ORM 0320-40 IN SILICONE PTFE/			
7	11004114	BLACK PLATE FOR UNIT COUPLING			
8	11003792	BLACK REAR PLATE FOR UNIT			
9	U140.019	SCREW TCB TORX 10 3X16 PLAST SS			
10	227470150	PIN BLACK ASS.FOR PERCOLATOR			
11	NM02.006	OR R5 TERMOIL			
12	9161.064.050	BLACK WATER INLET SLEEVE BREW UN			
13	NM02.007	OR 2025 TERMOIL			
14	20000440	BLACK WATER INLET SLEEVE BREW UN			
15	9160.075	PERCOLATOR DE=35,8 ELFO ASSY.			
16	11001556	SS SPRING H=49 COFFEE BREW UNIT			
17	9161.094.050	BLACK DRILLED BLOCK BREW UNIT			
18	11004161	BLACK SCRAPER FOR BREW UNIT			
19	9161.066.050	BLACK ELBOW SHAFT FOR BREW UNIT			
20	11003793	BLACK FRONT PLATE FOR UNIT			
21	12000550	SCREW TCB TORX 10 3X25 PLAST.SS			
22	11003077	BLACK 8GR.BREW UNIT INTEGR.PISTO			
23	9161.198	SS.8GR.BREW UNIT PISTON SPRING			
24	9161.191	WHITE 8GR.-12GR.BREW UNIT PISTON			
25	NM02.018	OR ORM 0090-25 TERMOIL			
26	11003075	BLACK COFFEE CONTAINER BREW UNIT			
27	11003078	BLACK CONNECTING ROD BREW UNIT 8			
28	11003795	BLACK HOPPER FOR UNIT W/SILKSCRE			
29	9161.046	SS SCRAPER SPRING FOR BREW UNIT			
30	12000897	SCREW TCB TORX 10 3,5X20 PLAST.S			
31	9161.045	SPRING FOR UNIT HANDGRIP			
32	11003791	BLACK HANDGRIP FOR COFFEE UNIT			
33	129912521	SCREW TCB TORX 10 3,5X14 PLAST.			
34	11023086	BLK 8GR.BREW UNIT NTEGR.PISTON G			
35	11003800	BLACK BREW UNIT MAGIC/ROYAL			