

# ADLER

EUROPE

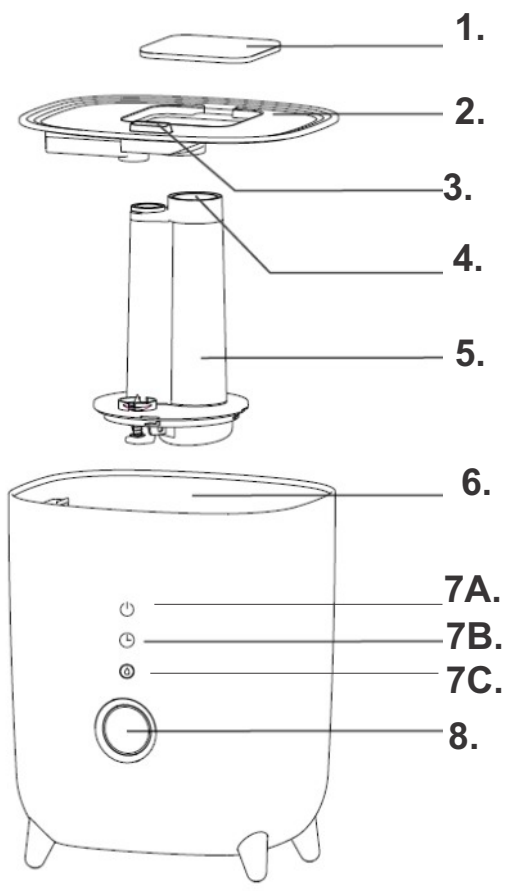


## AD 7972

- |                                      |                                      |
|--------------------------------------|--------------------------------------|
| (GB) user manual - 6                 | (DE) bedienungsanweisung - 10        |
| (FR) mode d'emploi - 15              | (ES) manual de uso - 20              |
| (PT) manual de serviço - 24          | (LT) naudojimo instrukcija - 28      |
| (LV) lietošanas instrukcija - 32     | (EST) kasutusjuhend - 36             |
| (HU) felhasználói kézikönyv - 49     | (BS) upute za rad - 45               |
| (RO) Instrucțiunea de deservire - 41 | (CZ) návod k obsluze - 77            |
| (RU) инструкция обслуживания - 73    | (GR) οδηγίες χρήσεως - 58            |
| (MK) упатство за корисникот - 53     | (NL) handleiding - 63                |
| (SL) navodila za uporabo - 68        | (FI) manwal ng pagtuturo - 86        |
| (PL) instrukcja obsługi - 123        | (IT) istruzioni operative - 98       |
| (HR) upute za uporabu - 81           | (SV) instruktionsbok - 90            |
| (DK) brugsanvisning - 107            | (UA) інструкція з експлуатації - 111 |
| (SR) Корисничко упутство - 102       | (SK) Používateľská príručka - 94     |
| (AR) دليل التعليمات - 116            | (BG) Инструкция за употреба - 127    |
| (AZ) Təlimat kitabçası - 133         | (ALB) manuali i perdoruesit - 138    |



GB	Clean the water tank every 3 days.
DE	Reinigen Sie den Wassertank alle 3 Tage.
FR	Nettoyez le réservoir d'eau tous les 3 jours.
ES	Limpie el tanque de agua cada 3 días.
PT	Limpe o reservatório de água a cada 3 dias.
LT	Vandens baką valykite kas 3 dienas.
LV	Iztīriet ūdens tvertni ik pēc 3 dienām.
EST	Puhastage veepaaki iga 3 päeva järel.
HU	Tisztítsa meg a víztartályt 3 naponta.
BS	Očistite rezervoar za vodu svaka 3 dana.
RO	Curățați rezervorul de apă la fiecare 3 zile.
CZ	Nádrž na vodu čistěte každé 3 dny.
RU	Очищайте резервуар для воды каждые 3 дня.
GR	Καθαρίζετε τη δεξαμενή νερού κάθε 3 ημέρες.
MK	Чистете го резервоарот за вода на секои 3 дена.
NL	Reinig het waterreservoir om de 3 dagen.
SL	Rezervoar za vodo očistite vsake 3 dni.
FI	Puhdista vesisäiliö 3 päivän välein.
PL	Czyść zbiornik na wodę co 3 dni.
IT	Pulire il serbatoio dell'acqua ogni 3 giorni.
HR	Očistite spremnik za vodu svaka 3 dana.
SV	Rengör vattentanken var tredje dag.
DK	Rengør vandbeholderen hver 3. dag.
UA	Очищайте резервуар для води кожні 3 дні.
SR	Очистите резервоар за воду свака 3 дана.
SK	Nádrž na vodu čistite každé 3 dni.
AR	فقط نازح طيها لك 3 طيأ.
BG	Почиствайте резервоара за вода на всеки 3 дни.
AZ	Su çənini hər 3 gündə təmizləyin.
ALB	Pastroni rezervuarin e ujit çdo 3 ditë.



14.

Figure 1

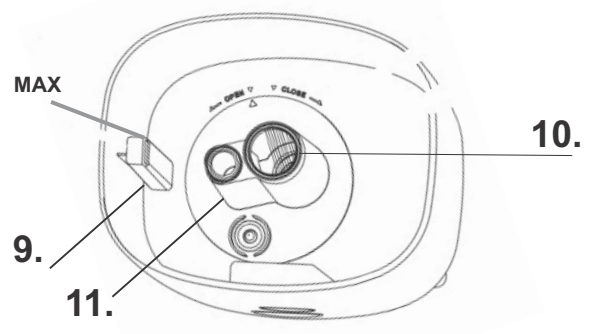


Figure 2

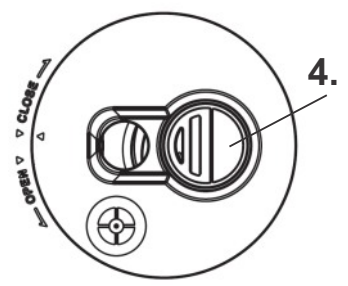


Figure 3

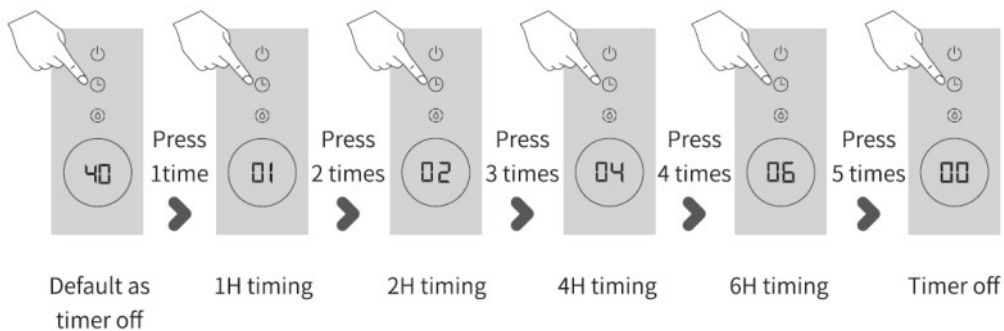


Figure 4

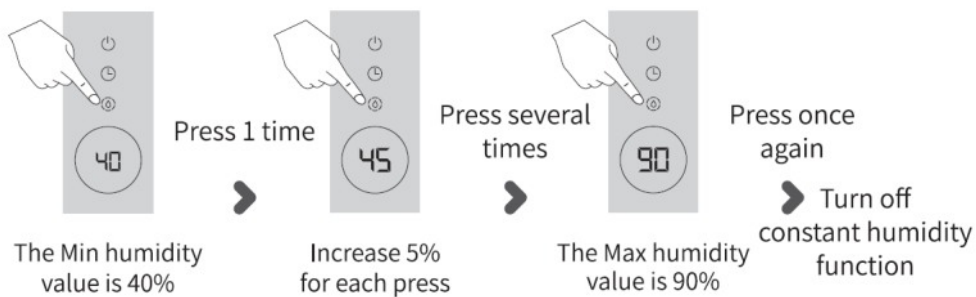


Figure 5

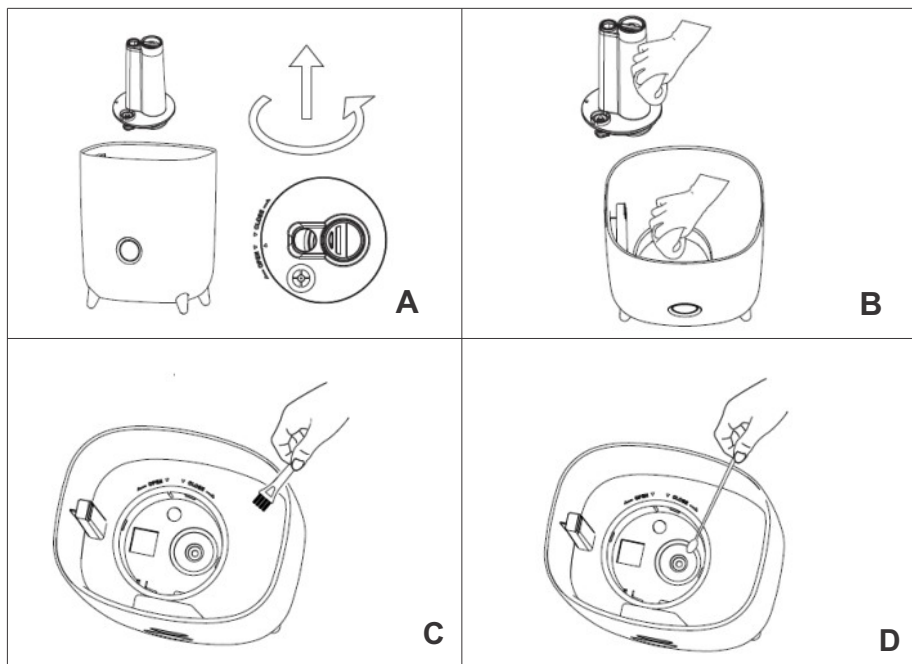


Figure 6

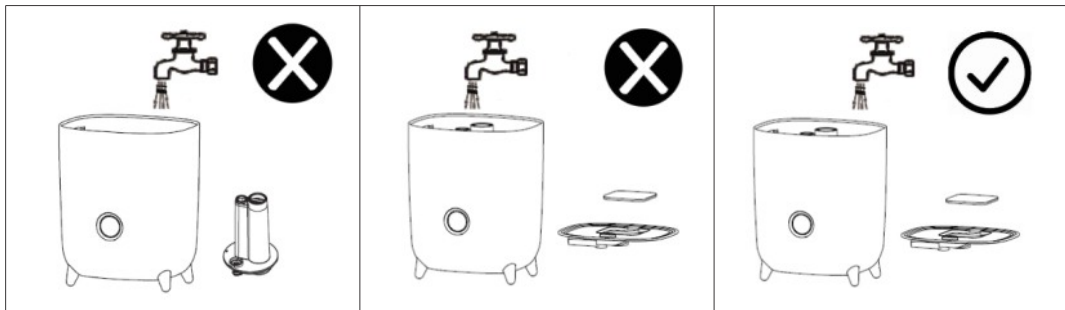


Figure 7

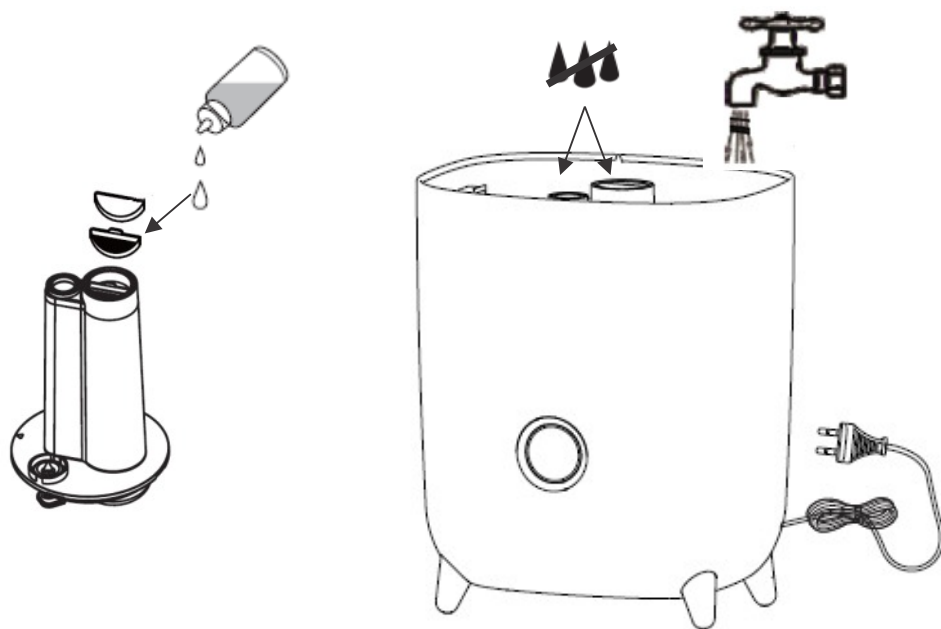
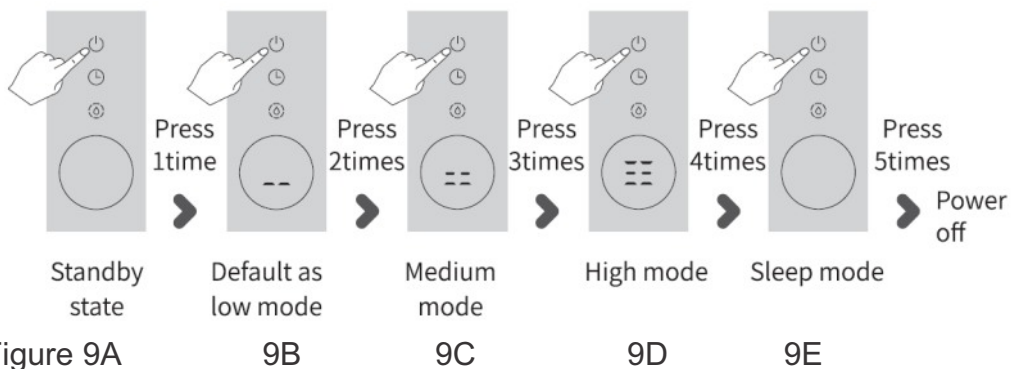


Figure 8



## GENERAL SAFETY CONDITIONS

## IMPORTANT SAFETY INSTRUCTIONS READ CAREFULLY AND SAVE FOR FUTURE

The warranty conditions are different, if the device is used for commercial purpose.

1. Before using the product please read carefully and always comply with the following instructions. The manufacturer is not liable for damages caused by using the device contrary to its intended purpose or improper operation.
2. The device is for home use only. Do not use for other purposes that are not for its intended purpose.
3. The device should only be connected to a 220-240 V ~ 50/60 Hz socket.
4. Take special care when using the device when children are nearby. Do not allow children to play with the device, do not allow children or people unfamiliar with the device to use it.
5. **WARNING:** This equipment may be used by children over 8 years of age and people with limited physical, sensory or mental ability, or people who have no experience or knowledge of the equipment, if this is done under the supervision of a person responsible for their safety or have been granted them information on the safe use of the device and are aware of the dangers of using it. Children should not play with the equipment. Cleaning and maintenance of the device should not be performed by children, unless they are over 8 years old and these activities are carried out under supervision.
6. Always remove the plug from the power socket after use by holding the socket with your hand. **DO NOT** pull on the power cord.
7. Do not immerse the cable, plug, base and the whole device in water or any other liquid. Do not expose the device to atmospheric conditions (rain, sun, etc.) or use in conditions of high humidity (bathrooms, damp mobile homes).
8. Periodically check the condition of the power cord. If the power cord is damaged, it should be replaced by a specialist in repair center to avoid danger.
9. Do not use the device with a damaged power cord or if it has been dropped or damaged in any other way or if it is not working properly. Do not repair the device yourself, as there is a risk of electric shock. Take the damaged device to an appropriate service center for checking or repair. All repairs may only be carried out by authorized service points. Incorrectly performed repairs can cause serious danger for the user.
10. Place the device on a cool, stable surface, away from hot kitchen appliances such as an electric stove, gas burner, etc.
11. Do not use the device near flammable materials.
12. The power cord may not hang over the edge of a table or touch hot surfaces.
13. Never leave the product connected to the power source without supervision. Even when use is interrupted for a short time, turn it off from the network, unplug the power.
14. To provide additional protection, it is advisable to install a residual current device (RCD) in the electrical circuit with a rated residual current not exceeding 30 mA. Ask an electrician for this.
15. Do not use the device near water, e.g. ... in the shower, bath tub or above the



wash basin with water.

16. When the appliance is used in a bathroom, remove the plug from the socket after use, as the proximity of water is a hazard even when the appliance is turned off.
  17. Do not allow the device to get wet. In the event that the device falls into water, immediately remove the plug from the wall socket. Do not put your hands in water when the machine is connected to the network. It must be checked by a qualified electrician before using it again.
  18. Do not hold the device with wet hands.
  19. Always turn off the device after every use. Please switch off power before unplugging.
  20. Never turn on the device without water in the water tank.
  21. Use only clean, cool water.
  22. Do not pour water into the tank above the maximum level.
  23. Do not immerse the humidifier base. If water spills on the device, immediately unplug it and allow it to dry.
  24. Do not add any chemicals to the water basin, water tank or the mist outlet. Do not add salts, descaling tablets, powders or cleaning substances to the water.
  25. The mist inlet and water tank cover should always be tightly closed.
  26. Make sure the humidifier's mist outlet is not directed directly at walls, furniture, electrical outlets, electrical and electronic devices, or children. Too high humidity in a room can lead to moisture accumulation, causing bacteria and fungi to grow, and damage to walls, furniture, and wallpapers.
  27. Do not block the ventilation of the device. Keep a distance of at least 20 cm from the device. Do not block the humidifier water mist outlet.
  28. Do not use the device if there is a risk of condensation. Moisture can form on the inside and outside of the device when:
    - the device is moved from a cold to a warm place,
    - the heating system has just been switched on,
    - the device is used in a room with high humidity,
    - the device is cooled by the air conditioning cooling system.
- When moisture condensation occurs in the device, it may not work properly or may be damaged in extreme cases. In this case, do not use the device and let it dry for a few hours.
29. Do not tilt, turn over or attempt to top up or pour water from the machine during operation.
  30. Do not remove the tank from the base of the device during operation of the humidifier.
  31. The filled water tank is heavy. When carrying it, keep it underneath as well.
  32. Do not use a humidifier if you find water leaks from under the device.
  33. Do not leave water in the humidifier when it is not being used.
  34. Follow the cleaning instructions in this manual.
  35. Never allow sedimentation, moisture or water to remain in the humidifier base tank (this may cause contamination or even damage to the ultrasonic atomizer).
  36. During prolonged operation of the device, the water mist emitted by the humidifier may fall to the floor and cause moisture.

37. Do not lift the water tank by the water mist outlet.
38. It is prohibited to insert metal chips, wire, needles and other foreign objects into the product or into the housing gaps, otherwise it may cause electric shock or malfunction.
39. Be aware that high humidity levels may encourage the growth of biological organisms and fungi in the environment.
40. Too much humidity in the room can lead to moisture accumulation causing the damage to walls, furniture, wallpaper and electric other appliances as TV. Do not direct the mist outlet close to such objects.
41. Do not permit the area around the humidifier to become damp or wet. If dampness occurs, turn down the mist production. If the mist capacity cannot be turned down, use the humidifier intermittently. Do not allow absorbent materials, such as carpeting, curtains, drapes, or tablecloths, to become damp.
42. Do not cover the device. Do not place any objects on the top of the device.
43. Do not use the device in association with a programmer, timer or other device that automatically switches the humidifier on.

Warning: Microorganisms that may be present in the water tank will be blown into the air, causing a very serious health hazard. To prevent this, change the water regularly and clean the tank every three days.

Warning: The water tank should be emptied and refilled every three days. Before refilling, clean it with fresh water or using available detergents if required by the manufacturer. Remove scale, deposits or a film that has formed on the walls of the tank. After cleaning, wipe dry all accessible surfaces.

Ultrasonic humidifier uses ultrasonic high frequency oscillation principle, the water is atomized into 1-5 micron ultra fine particle, then the water mist is diffused into the air through the pneumatic device, so as to achieve the purpose of uniformly humidifying the air, refreshing air, moisturizing skin and improving health.

#### Before first use

When the device is turned on, please do not touch an atomizing transducer (12) with hand to avoid hurting.

#### Device description: Ultrasonic humidifier

- |  |                                |
|--|--------------------------------|
| 1. Water filling lid   | 2. Water tank cover            |
| 3. Spray nozzle  | 4. Aromatherapy container      |
| 5. Mist air duct   | 6. Water tank                  |
| 7A. Switch on / Mist adjustment / Sleep mode / Switch off button |                                |
| 7B. Timer button   | 7C. Continuous humidity button |
| 8. Display   | 9. Air inlet                   |
| 10. Mist outlet  | 11. Air outlet                 |
| 12. Atomizing transducer   | 13. Aromatherapy cotton sponge |
| 14. Cleaning brush   |                                |

#### WATER FILLING – look at figure 7

1. Place the device on stable, flat surface. Remember to fill the water to unplugged device.
2. Open the water filling cover (2) together with water filling lid (1).
3. Remember the mist air duct (5) has to be installed inside water tank before adding the water.
4. When adding the water, do not inject water into the spray nozzle (3) and do not inject water into the mist outlet (10) as well do not inject water into the air outlet (9).



5. Pay attention to do not exceed the MAX (maximum) water level marked on the air outlet (9) - llok at Figure 2. Use clean tap water.
6. Close the water tank cover (2) together with water filling lid (1). Plug in the device.
7. When the device is not planned to be used the water should be poured out the water tank (6).
8. To reduce the precipitation of limescale from the water - white powder, you can optionally purchase a water filter for this device, number AD7972.1 from the seller of this device.

#### AROMATHERAPY FUNCTION

1. Take away the water tank cover (1) together with water filling lid (1).
  2. Pour 2-3 drops of essential oil on an aromatherapy cotton sponge (13) and place it inside an aromatherapy container (4). Look at Figure 4. Place an aromatherapy container (4) on the top of the mist outlet (10). The nice smelt will be distributed together with mist.
- ATTENTION: ONLY water-soluble essential oils are suitable for this device.
3. DO NOT drip essential oils to water directly.

#### OPERATION

1. After plug in the device gives sound signal and the device enters the standby state.
2. To switch on the device press once the switch on button (7A). Default mist volume is set at low level, you will see at the display (8) two lines (Figure 9B). Press this button (7A) repeatedly to change the modes to medium mist output level (Figure 9C), high mist volume (Figure 9D), sleep mode (Figure 9D) or switch off the device (Figure 9E) in turn.

#### WATER SHORTAGE PROTECTION

When the device is working, built-in spring detect the lack of water. Then the device stops working, the display (8) will show "EE" and flashing for 5 seconds and you will hear 3 sound signals. After this, the device enters the standby state. After adding the water, press the switch on button (7A), then the device can work normally.

#### SLEEP MODE SETTING

The device will work at medium mist output for 5 minutes and it will pause the mist output for 5 minutes, then it works 5 minutes and it will pause for 10 minutes; next it will work for 5 minutes and it will pause for 15 minutes, further operation will be continued in such cycle. At sleep mode the display (8) is dimmed – look at Figure 9E.

#### TIMER SETTING

The default setting is zero hours. During operation press the timer button (7B) repeatedly to choose one of timer operation period: 1 hour or 2 hours or 4 hours or 6 hours or press again to switch off the timer function – look at Figure 4. The timer function stops the operation of device after fixed period passed.

#### HUMIDITY LEVEL SETTING

During the device operation press the continuous humidity button (7C), you can set the humidity value in range 40-90% of relative humidity, each repeated pressing will increase with 5% value. When the humidity level is set, the device is constantly humidifying to the desired humidification level. After reach desired humidification level, the device enters the standby state and stops spraying the mist until the ambient humidity level reduced to 5% below desired humidification level. In such case, the device starts spray the mist again automatically. Look at Figure 5.

#### CLEANING AND MAINTENANCE

1. Plug out the device before cleaning. If there is some water left in the water tank (6), it should be poured out by tilting the water tank (6).
- ATTENTION: Important issue is correct water tank (6) position while the water is poured out. The correct position is achieved when the air outlet (9) stay dry and the water stream is leaded by opposite edge of the water tank (6).
2. Clean the water tank each 3 days.
  3. After the device is used for a period of time, it is easy to appear scale and form "white powder" phenomenon, it is attached to the surface of an atomizing transducer (12), affecting the humidification efficiency. It is necessary to clean main components regularly. To clean main components look at Figure 6.
- \* Open the water tank cover (2), disassemble the mist air duct (5) by rotating anticlockwise – look at Figure 6A.
  - \* Wipe the inside of water tank (6) and the mist air duct (5) with a soft cloth – look at Figure 6B.
  - \* Add proper amount of water, clean the device with the cleaning brush (14) – look at Figure 6C.
  - \* Wipe an atomizing transducer (12) with a cotton swab stuck with citric acid solution.
4. Do not use sharp hard utensils to touch the atomizer.
  5. Do not use detergent to clean, clan water is better. Next dry elements with soft cloth, install the mist air duct (5) by clockwise rotation.
  6. The outer surface of the device housing can be cleaned with a damp cloth and then wiped dry with a clean cloth. Do not use chemical solvents, gasoline, kerosence or polishing powder to wipe the surface.
  7. Do not let the water to come inside housing when cleaning to avoid inside components malfunction.
  8. Clean the device before each next use.

## STORAGE

1. For seasonal storage the device should be empty, cleaned and dry.
2. Storage in bag to prevent against the dust, in dry place.

## TROUBLESHOOTING

If the device does not work properly, check with following possible reasons before send to after sale service to solve problems on your own.

PROBLEM I.: the display (8) is not on.

POSSIBLE REASON OF PROBLEM I: the power is not plugged in properly.

SOLUTION OF PROBLEM I: plug in power cord and turn on the power.

PROBLEM II.: there is water in tank, the red light is flashing when the device is turned on

POSSIBLE REASON OF PROBLEM II: there is too much scale on an atomizing transducer (12)

SOLUTION OF PROBLEM II: clean the withe scale accumulating on the atomizing transducer (12)

PROBLEM III.: atomization amount is too small

POSSIBLE REASON OF PROBLEM III:

IIIa. There is too many white scale on the atomizing transducer (12)

IIIb. The water is too dirty or too long time stored

IIIc. The mist volume was set up at low level

SOLUTION OF PROBLEM III:

IIIa. clean the white limescale on an atomizing transducer (12)

IIIb. Change to clean water

IIIc. Set up middle or high mist level

PROBLEM IV.: Abnormal noise

POSSIBLE REASON OF PROBLEM IV:

IVa. There is too less water in water tank

IVb. It collides with the table surface to produce jitters

SOLUTION OF PROBLEM IV:

IVa. Add water

IVb. Place the device on firm, smooth surface

PROBLEM V.: Peculiar smell of mist

POSSIBLE REASON OF PROBLEM II: The water in water tank is not clean or it was kept for long time

SOLUTION OF PROBLEM II: Clean the water tank, dry it, next add clean water

## TECHNICAL DATA:

Power: 23W

Power supply: 220-240V ~50-60Hz

Water tank capacity: 4 liters



To protect your environment: please separate carton boxes and plastic bags and dispose them in corresponding waste bins. Used appliance should be delivered to the dedicated collecting points due to hazardous components, which may effect the environment. **Do not dispose this appliance in the common waste bin.**

## DEUTSCH

### ALLGEMEINE SICHERHEITSBEDINGUNGEN WICHTIGE SICHERHEITSHINWEISE SORGFÄLTIG LESEN UND FÜR DIE ZUKUNFT AUFBEWAHREN

Die Garantiebedingungen gelten abweichend, wenn das Gerät gewerblich genutzt wird.

1. Bevor Sie das Produkt verwenden, lesen Sie bitte die folgenden Anweisungen sorgfältig durch und befolgen Sie sie immer. Der Hersteller haftet nicht für Schäden, die durch bestimmungswidrigen Gebrauch des Gerätes oder unsachgemäße Bedienung entstehen.
2. Das Gerät ist nur für den Heimgebrauch bestimmt. Nicht für andere Zwecke verwenden, die nicht dem vorgesehenen Zweck entsprechen.
3. Das Gerät darf nur an eine 220-240 V ~ 50/60 Hz Steckdose angeschlossen werden.
4. Seien Sie besonders vorsichtig, wenn Sie das Gerät verwenden, wenn Kinder in der Nähe sind. Erlauben Sie Kindern nicht, mit dem Gerät zu spielen, erlauben Sie Kindern oder Personen, die mit dem Gerät nicht vertraut sind, es nicht zu benutzen.
5. **WARNUNG:** Dieses Gerät kann von Kindern über 8 Jahren und Personen mit eingeschränkten physischen, sensorischen oder geistigen Fähigkeiten oder Personen, die keine Erfahrung oder Kenntnisse mit dem Gerät haben, verwendet werden, wenn dies unter der Aufsicht einer verantwortlichen Person erfolgt zu ihrer Sicherheit oder haben ihnen Informationen zum sicheren Umgang mit dem Gerät erteilt und sind sich der Gefahren bei

- der Verwendung bewusst. Kinder sollten nicht mit dem Gerät spielen. Die Reinigung und Wartung des Geräts sollte nicht von Kindern durchgeführt werden, es sei denn, sie sind über 8 Jahre alt und diese Tätigkeiten werden unter Aufsicht durchgeführt.
6. Ziehen Sie nach dem Gebrauch immer den Stecker aus der Steckdose, indem Sie die Steckdose mit der Hand festhalten. NICHT am Netzkabel ziehen.
7. Tauchen Sie Kabel, Stecker, Sockel und das gesamte Gerät nicht in Wasser oder andere Flüssigkeiten. Setzen Sie das Gerät nicht atmosphärischen Bedingungen (Regen, Sonne usw.) aus oder verwenden Sie es nicht bei hoher Luftfeuchtigkeit (Badezimmer, feuchte Wohnmobile).
8. Überprüfen Sie regelmäßig den Zustand des Netzkabels. Wenn das Netzkabel beschädigt ist, sollte es von einem Fachmann im Reparaturzentrum ersetzt werden, um Gefahren zu vermeiden.
9. Verwenden Sie das Gerät nicht mit beschädigtem Netzkabel oder wenn es heruntergefallen oder auf andere Weise beschädigt wurde oder nicht ordnungsgemäß funktioniert. Reparieren Sie das Gerät nicht selbst, da die Gefahr eines Stromschlags besteht. Bringen Sie das beschädigte Gerät zur Überprüfung oder Reparatur zu einem geeigneten Servicecenter. Alle Reparaturen dürfen nur von autorisierten Servicestellen durchgeführt werden. Durch unsachgemäß durchgeführte Reparaturen können ernsthafte Gefahren für den Benutzer entstehen.
10. Stellen Sie das Gerät auf eine kühle, stabile Oberfläche, entfernt von heißen Küchengeräten wie Elektroherd, Gasbrenner usw.
11. Verwenden Sie das Gerät nicht in der Nähe von brennbaren Materialien.
12. Das Netzkabel darf nicht über eine Tischkante hängen oder heiße Oberflächen berühren.
13. Lassen Sie das Produkt niemals ohne Aufsicht an die Stromquelle angeschlossen. Auch wenn die Nutzung für kurze Zeit unterbrochen wird, schalten Sie es vom Netzwerk aus, ziehen Sie den Netzstecker.
14. Um zusätzlichen Schutz zu bieten, wird empfohlen, im Stromkreis eine Fehlerstrom-Schutzeinrichtung (RCD) mit einem Bemessungsfehlerstrom von nicht mehr als 30 mA zu installieren. Fragen Sie dazu einen Elektriker.
-  15. Verwenden Sie das Gerät nicht in der Nähe von Wasser, z.B. ... in der Dusche, Badewanne oder über dem Waschbecken mit Wasser.
16. Wenn das Gerät in einem Badezimmer verwendet wird, ziehen Sie nach Gebrauch den Stecker aus der Steckdose, da die Nähe von Wasser auch bei ausgeschaltetem Gerät eine Gefahr darstellt.
17. Lassen Sie das Gerät nicht nass werden. Sollte das Gerät ins Wasser fallen, ziehen Sie sofort den Stecker aus der Steckdose. Halten Sie Ihre Hände nicht ins Wasser, wenn das Gerät an das Netzwerk angeschlossen ist. Es muss von einem qualifizierten Elektriker überprüft werden, bevor es wieder verwendet wird.
18. Halten Sie das Gerät nicht mit nassen Händen.
19. Schalten Sie das Gerät nach jedem Gebrauch immer aus. Bitte schalten Sie die Stromversorgung aus, bevor Sie den Stecker ziehen.
20. Schalten Sie das Gerät niemals ohne Wasser im Wassertank ein.
21. Verwenden Sie nur sauberes, kaltes Wasser.
22. Füllen Sie kein Wasser über den maximalen Füllstand in den Tank.
23. Tauchen Sie den Befeuchtersockel nicht ein. Wenn Wasser auf das Gerät gelangt, trennen Sie es sofort vom Netz und lassen Sie es trocknen.
24. Füllen Sie keine Chemikalien in das Wasserbecken, den Wassertank oder den Nebelauslass. Fügen Sie dem Wasser keine Salze, Entkalkungstabletten, Pulver oder Reinigungsmittel hinzu.
25. Der Nebelreinlass und der Wassertankdeckel sollten immer fest verschlossen sein.
26. Stellen Sie sicher, dass der Nebelauslass des Befeuchters nicht direkt auf Wände, Möbel, Steckdosen, elektrische und elektronische Geräte oder Kinder gerichtet ist. Eine zu hohe Luftfeuchtigkeit in einem Raum kann zu einer Ansammlung von Feuchtigkeit führen, wodurch Bakterien und Pilze wachsen und Wände, Möbel und Tapeten beschädigt werden.
27. Blockieren Sie nicht die Belüftung des Geräts. Halten Sie einen Abstand von mindestens

- 20 cm zum Gerät ein. Blockieren Sie nicht den Wassernebelauslass des Befeuchters.
28. Verwenden Sie das Gerät nicht, wenn Kondensationsgefahr besteht. Feuchtigkeit kann sich an der Innen- und Außenseite des Geräts bilden, wenn:
- das Gerät von einem kalten an einen warmen Ort gebracht wird,
  - die Heizung gerade eingeschaltet wurde,
  - das Gerät in einem Raum mit hoher Luftfeuchtigkeit verwendet wird,
  - das Gerät wird vom Kühlsystem der Klimaanlage gekühlt.
- Wenn im Gerät Feuchtigkeitskondensation auftritt, funktioniert es möglicherweise nicht richtig oder kann im Extremfall beschädigt werden. Verwenden Sie in diesem Fall das Gerät nicht und lassen Sie es einige Stunden trocknen.
29. Während des Betriebs die Maschine nicht kippen, umdrehen oder versuchen, Wasser nachzufüllen oder auszugießen.
30. Nehmen Sie den Tank während des Betriebs des Luftbefeuchters nicht vom Geräteboden ab.
31. Der gefüllte Wassertank ist schwer. Bewahren Sie es beim Tragen auch darunter auf.
32. Verwenden Sie keinen Luftbefeuchter, wenn Sie Wasserlecks unter dem Gerät feststellen.
33. Lassen Sie kein Wasser im Luftbefeuchter, wenn er nicht verwendet wird.
34. Befolgen Sie die Reinigungsanweisungen in diesem Handbuch.
35. Lassen Sie niemals Ablagerungen, Feuchtigkeit oder Wasser im Bodentank des Befeuchters zurück (dies kann zu einer Verschmutzung oder sogar Beschädigung des Ultraschallzerstäubers führen).
36. Bei längerem Betrieb des Gerätes kann der vom Befeuchter abgegebene Wassernebel auf den Boden fallen und Feuchtigkeit verursachen.
37. Heben Sie den Wassertank nicht am Wassernebelauslass an.
38. Es ist verboten, Metallspäne, Drähte, Nadeln und andere Fremdkörper in das Produkt oder in die Gehäuseöffnungen einzuführen, da es sonst zu Stromschlägen oder Fehlfunktionen kommen kann.
39. Beachten Sie, dass eine hohe Luftfeuchtigkeit das Wachstum von biologischen Organismen und Pilzen in der Umgebung fördern kann.
40. Zu viel Feuchtigkeit im Raum kann zu Feuchtigkeitsansammlungen führen, die Wände, Möbel, Tapeten und andere elektrische Geräte wie Fernseher beschädigen können. Richten Sie den Nebelauslass nicht in die Nähe solcher Gegenstände.
41. Lassen Sie den Bereich um den Luftbefeuchter nicht feucht oder nass werden. Wenn Feuchtigkeit auftritt, drosseln Sie die Nebelproduktion. Wenn die Nebelkapazität nicht verringert werden kann, verwenden Sie den Luftbefeuchter mit Unterbrechungen. Achten Sie darauf, dass saugfähige Materialien wie Teppiche, Vorhänge, Vorhänge oder Tischdecken nicht feucht werden.
42. Decken Sie das Gerät nicht ab. Stellen Sie keine Gegenstände auf die Oberseite des Geräts.
43. Verwenden Sie das Gerät nicht in Verbindung mit einem Programmiergerät, Timer oder einem anderen Gerät, das den Luftbefeuchter automatisch einschaltet.

**Warnung:** Mikroorganismen, die möglicherweise im Wassertank vorhanden sind, werden in die Luft geblasen und verursachen eine sehr ernste Gesundheitsgefahr. Um dies zu verhindern, wechseln Sie regelmäßig das Wasser und reinigen Sie den Tank alle drei Tage.

**Achtung:** Der Wassertank sollte alle drei Tage geleert und neu befüllt werden. Reinigen Sie es vor dem Wiederbefüllen mit frischem Wasser oder verwenden Sie verfügbare Reinigungsmittel, wenn dies vom Hersteller gefordert wird. Entfernen Sie Kalk, Ablagerungen oder einen Film, der sich an den Wänden des Tanks gebildet hat. Wischen Sie nach der Reinigung alle zugänglichen Oberflächen trocken.

Der Ultraschall-Luftbefeuchter verwendet das Ultraschall-Hochfrequenz-Oszillationsprinzip, das Wasser wird in 1-5 Mikron ultrafeine Partikel zerstäubt, dann wird der Wasserebel durch das pneumatische Gerät in die Luft diffundiert, um den Zweck der gleichmäßigen Befeuchtung der Luft zu erreichen und die Luft zu erfrischen, feuchtigkeitsspendende Haut und Verbesserung der Gesundheit.

Vor dem ersten Gebrauch

Wenn das Gerät eingeschaltet ist, berühren Sie bitte keinen Zerstäubungswandler (12) mit der Hand, um Verletzungen zu vermeiden.

Gerätebeschreibung: Ultraschall-Luftbefeuchter

- |   |                                   |
|---|-----------------------------------|
| 1. Wassereinfülldeckel  | 2. Wassertankabdeckung            |
| 3. Sprühdüse  | 4. Aromatherapie-Behälter         |
| 5. Nebelluftkanal   | 6. Wassertank                     |
| 7A. Einschalten / Nebeleinstellung / Schlafmodus / Ausschalttaste |                                   |
| 7B. Timer-Taste   | 7C. Dauerfeuchtigkeitstaste       |
| 8. Anzeige  | 9. Lufteinlass                    |
| 10. Nebelauslass  | 11. Luftauslass                   |
| 12. Zerstäubungswandler   | 13. Aromatherapie-Baumwollschwamm |
| 14. Reinigungsbürste  |                                   |

WASSERFÜLLEN – siehe Abbildung 7

1. Stellen Sie das Gerät auf eine stabile, ebene Fläche. Denken Sie daran, das Wasser in das ausgesteckte Gerät zu füllen.
2. Öffnen Sie den Wassereinfülldeckel (2) zusammen mit dem Wassereinfülldeckel (1).
3. Denken Sie daran, dass der Nebelluftkanal (5) im Wassertank installiert werden muss, bevor Sie Wasser hinzufügen.
4. Spritzen Sie beim Hinzufügen von Wasser kein Wasser in die Sprühdüse (3) und spritzen Sie kein Wasser in den Nebelauslass (10) und spritzen Sie kein Wasser in den Luftauslass (9).
5. Achten Sie darauf, den am Luftauslass (9) markierten Wasserstand MAX (maximal) nicht zu überschreiten – siehe Abbildung 2. Verwenden Sie sauberes Leitungswasser.
6. Schließen Sie den Wassertankdeckel (2) zusammen mit dem Wassereinfülldeckel (1). Schließen Sie das Gerät an.
7. Wenn das Gerät nicht verwendet werden soll, sollte das Wasser aus dem Wassertank (6) gegossen werden.
8. Um die Ausfällung von Kalk aus dem Wasser – weißes Pulver – zu reduzieren, können Sie optional einen Wasserfilter für dieses Gerät mit der Nummer AD7972.1 vom Verkäufer dieses Geräts erwerben.

AROMATHERAPIE-FUNKTION

1. Nehmen Sie den Wassertankdeckel (1) zusammen mit dem Wassereinfülldeckel (1) ab.
  2. Gießen Sie 2-3 Tropfen ätherisches Öl auf einen Aromatherapie-Baumwollschwamm (13) und legen Sie ihn in einen Aromatherapie-Behälter (4). Sehen Sie sich Abbildung 4 an. Stellen Sie einen Aromatherapiebehälter (4) oben auf den Nebelauslass (10). Der schöne Geruch wird zusammen mit Nebel verteilt.
- ACHTUNG: Für dieses Gerät sind NUR wasserlösliche ätherische Öle geeignet.
3. Ätherische Öle NICHT direkt in Wasser tropfen.

BETRIEB

1. Nach dem Einstecken gibt das Gerät ein Tonsignal aus und das Gerät wechselt in den Standby-Zustand.
2. Um das Gerät einzuschalten, drücken Sie einmal die Einschalttaste (7A). Das standardmäßige Nebelvolumen ist auf ein niedriges Niveau eingestellt, Sie werden auf dem Display (8) zwei Linien sehen (Abbildung 9B). Drücken Sie diese Taste (7A) wiederholt, um die Modi auf mittlere Nebelleistung (Abbildung 9C), hohe Nebelmenge (Abbildung 9D), Schlafmodus (Abbildung 9D) zu ändern oder das Gerät auszuschalten (Abbildung 9E).

SCHUTZ VOR WASSERKNAPPHEIT

Wenn das Gerät arbeitet, erkennt die eingebaute Feder den Wassermangel. Dann hört das Gerät auf zu arbeiten, das Display (8) zeigt „EE“ und blinkt für 5 Sekunden und Sie hören 3 Tonsignale. Danach geht das Gerät in den Standby-Zustand. Drücken Sie nach dem Hinzufügen des Wassers die Einschalttaste (7A), dann kann das Gerät normal arbeiten.

SCHLAFMODUS-EINSTELLUNG

Das Gerät arbeitet 5 Minuten lang mit mittlerem Nebelausstoß und unterbricht den Nebelausstoß für 5 Minuten, dann arbeitet es 5 Minuten lang und pausiert für 10 Minuten; Als nächstes wird es für 5 Minuten arbeiten und für 15 Minuten pausieren, der weitere Betrieb wird in einem solchen Zyklus fortgesetzt. Im Schlafmodus ist das Display (8) gedimmt – siehe Abbildung 9E.

TIMER-EINSTELLUNG

Die Standardeinstellung ist null Stunden. Drücken Sie während des Betriebs wiederholt die Timer-Taste (7B), um eine der Timer-Betriebszeiten auszuwählen: 1 Stunde oder 2 Stunden oder 4 Stunden oder 6 Stunden, oder drücken Sie erneut, um die Timer-Funktion auszuschalten – siehe Abbildung 4. Die Timer-Funktion stoppt den Betrieb des Geräts nach Ablauf des festgelegten Zeitraums.

FEUCHTIGKEITSEINSTELLUNG

Drücken Sie während des Gerätebetriebs die Dauerfeuchtigkeitstaste (7C), Sie können den Feuchtigkeitswert im Bereich von 40-90 % der

relativen Luftfeuchtigkeit einstellen, jedes wiederholte Drücken erhöht den Wert um 5 %. Wenn die Luftfeuchtigkeit eingestellt ist, befeuchtet das Gerät konstant auf die gewünschte Befeuchtungsstufe. Nach Erreichen des gewünschten Befeuchtungsniveaus wechselt das Gerät in den Standby-Zustand und stoppt das Sprühen des Nebels, bis die Umgebungsfeuchtigkeit auf 5 % unter dem gewünschten Befeuchtungsniveau gesunken ist. In diesem Fall beginnt das Gerät automatisch erneut mit dem Sprühen des Nebels. Sehen Sie sich Abbildung 5 an.

## REINIGUNG UND INSTANDHALTUNG

1. Stecken Sie das Gerät vor der Reinigung aus. Wenn sich noch etwas Wasser im Wassertank (6) befindet, sollte es durch Kippen des Wassertanks (6) ausgegossen werden.  
ACHTUNG: Wichtig ist die richtige Position des Wassertanks (6) beim Ausgießen des Wassers. Die richtige Position ist erreicht, wenn der Luftauslass (9) trocken bleibt und der Wasserstrahl durch die gegenüberliegende Kante des Wasserbehälters (6) geleitet wird.
2. Reinigen Sie den Wassertank alle 3 Tage.
3. Nachdem das Gerät eine Zeit lang verwendet wurde, kann es leicht zu Ablagerungen kommen und ein „weißes Pulver“-Phänomen bilden, das an der Oberfläche eines Zerstäubungswandlers (12) haftet und die Befeuchtungseffizienz beeinträchtigt. Hauptkomponenten müssen regelmäßig gereinigt werden. Um die Hauptkomponenten zu reinigen, sehen Sie sich Abbildung 6 an.  
\* Öffnen Sie die Abdeckung des Wassertanks (2), bauen Sie den Nebelluftkanal (5) ab, indem Sie ihn gegen den Uhrzeigersinn drehen – siehe Abbildung 6A.  
\* Wischen Sie das Innere des Wassertanks (6) und den Nebelluftkanal (5) mit einem weichen Tuch ab – siehe Abbildung 6B.  
\* Fügen Sie die richtige Menge Wasser hinzu, reinigen Sie das Gerät mit der Reinigungsbürste (14) – siehe Abbildung 6C.  
\* Wischen Sie einen Zerstäubungswandler (12) mit einem Wattestäbchen ab, das mit Zitronensäurelösung bestrichen ist.
4. Verwenden Sie keine scharfen, harten Utensilien, um den Zerstäuber zu berühren.
5. Verwenden Sie zum Reinigen kein Reinigungsmittel, sauberes Wasser ist besser. Trocknen Sie die Elemente anschließend mit einem weichen Tuch ab und installieren Sie den Nebelluftkanal (5) durch Drehen im Uhrzeigersinn.
6. Die Außenfläche des Gerätegehäuses kann mit einem feuchten Tuch gereinigt und anschließend mit einem sauberen Tuch trocken gewischt werden. Verwenden Sie zum Abwischen der Oberfläche keine chemischen Lösungsmittel, Benzin, Kerosin oder Polierpulver.
7. Lassen Sie beim Reinigen kein Wasser in das Gehäuse eindringen, um eine Fehlfunktion der inneren Komponenten zu vermeiden.
8. Reinigen Sie das Gerät vor jedem nächsten Gebrauch.

## LAGERUNG

1. Zur saisonalen Lagerung sollte das Gerät leer, gereinigt und trocken sein.
2. Aufbewahrung in einer Tasche, um Staub vorzubeugen, an einem trockenen Ort .

## FEHLERBEHEBUNG

Wenn das Gerät nicht ordnungsgemäß funktioniert, überprüfen Sie die folgenden möglichen Gründe, bevor Sie es an den Kundendienst senden, um das Problem selbst zu lösen.

PROBLEM I.: Das Display (8) ist nicht eingeschaltet.

MÖGLICHE PROBLEMGRUND I: Der Strom ist nicht richtig eingesteckt.

LÖSUNG DES PROBLEMS I: Schließen Sie das Netzkabel an und schalten Sie das Gerät ein.

PROBLEM II.: Es ist Wasser im Tank, das rote Licht blinkt, wenn das Gerät eingeschaltet ist

MÖGLICHER PROBLEMGRUND II: Es gibt zu viel Kalk auf einem Zerstäubungswandler (12)

LÖSUNG VON PROBLEM II: Entfernen Sie den weißen Kalk, der sich auf dem Zerstäubungswandler (12) ansammelt .

PROBLEM III.: Die Zerstäubungsmenge ist zu gering

MÖGLICHE PROBLEMGRUND III:

IIIa. Auf dem Zerstäubungswandler befinden sich zu viele weiße Ablagerungen (12)

IIIb . Das Wasser ist zu schmutzig oder zu lange gelagert

IIIc. Das Nebelvolumen wurde auf niedrigerem Niveau eingestellt

LÖSUNG VON PROBLEM III:

IIIa. Entfernen Sie den weißen Kalk auf einem Zerstäubungswandler (12)

IIIb . Wechseln Sie zu sauberem Wasser

IIIc. Stellen Sie einen mittleren oder hohen Nebelpegel ein

PROBLEM IV.: Anormales Rauschen

MÖGLICHE PROBLEMGRUND IV:

IVa . Es ist zu wenig Wasser im Wassertank

IVb . Es kollidiert mit der Tischoberfläche, um Jitter zu erzeugen

LÖSUNG VON PROBLEM IV:

IVa . Wasser hinzufügen

IVb . Stellen Sie das Gerät auf eine feste, glatte Oberfläche

PROBLEM V: Eigenartiger Nebelgeruch

MÖGLICHE PROBLEMGRUND II: Das Wasser im Wassertank ist nicht sauber oder wurde lange aufbewahrt

LÖSUNG VON PROBLEM II: Reinigen Sie den Wassertank, trocknen Sie ihn und fügen Sie als nächstes sauberes Wasser hinzu

TECHNISCHES DATUM:

Leistung: 23W

Stromversorgung: 220-240 V ~50-60 Hz

Fassungsvermögen des Wassertanks : 4 Liter



Den Pappkarton im Altpapier entsorgen. Polyäthylenbeutel (PE) in dem Behälter für Kunststoff entsorgen. Das abgenutzte Gerät zum Recycling zu einer offiziellen Sammelstelle bringen, da es gefährliche Substanzen enthält, die die Umwelt gefährden können. Das Gerät sollte in einer Form abgegeben werden, die eine weitere Nutzung unmöglich macht. Wenn es Batterien enthält, sollten diese rausgenommen und separat an einer Sammelstelle abgegeben werden. Das Gerät darf nicht in den Hausmüll rausgeworfen werden!!

## FRANÇAIS

### CONDITIONS GÉNÉRALES DE SÉCURITÉ CONSIGNES DE SÉCURITÉ IMPORTANTES À LIRE ATTENTIVEMENT ET À CONSERVER POUR L'AVENIR

Les conditions de garantie sont différentes si l'appareil est utilisé à des fins commerciales.

1. Avant d'utiliser le produit, veuillez lire attentivement et toujours respecter les instructions suivantes. Le fabricant n'est pas responsable des dommages causés par une utilisation de l'appareil contraire à sa destination ou un fonctionnement incorrect.
2. L'appareil est destiné à un usage domestique uniquement. Ne pas utiliser à d'autres fins qui ne correspondent pas à l'usage auquel il est destiné.
3. L'appareil ne doit être connecté qu'à une prise 220-240 V ~ 50/60 Hz.
4. Faites particulièrement attention lorsque vous utilisez l'appareil lorsque des enfants sont à proximité. Ne laissez pas les enfants jouer avec l'appareil, ne laissez pas les enfants ou les personnes qui ne connaissent pas l'appareil l'utiliser.
5. **AVERTISSEMENT** : Cet équipement peut être utilisé par des enfants de plus de 8 ans et des personnes ayant des capacités physiques, sensorielles ou mentales limitées, ou des personnes n'ayant aucune expérience ou connaissance de l'équipement, si cela est fait sous la supervision d'une personne responsable. pour leur sécurité ou ont reçu des informations sur l'utilisation sûre de l'appareil et sont conscients des dangers de son utilisation. Les enfants ne doivent pas jouer avec l'équipement. Le nettoyage et l'entretien de l'appareil ne doivent pas être effectués par des enfants, sauf s'ils ont plus de 8 ans et que ces activités sont effectuées sous surveillance.
6. Retirez toujours la fiche de la prise de courant après utilisation en tenant la prise avec votre main. **NE PAS** tirer sur le cordon d'alimentation.
7. N'immergez pas le câble, la fiche, la base et l'ensemble de l'appareil dans l'eau ou tout autre liquide. Ne pas exposer l'appareil aux conditions atmosphériques (pluie, soleil, etc.) ou l'utiliser dans des conditions d'humidité élevée (salles de bain, mobil-homes humides).
8. Vérifiez périodiquement l'état du cordon d'alimentation. Si le cordon d'alimentation est endommagé, il doit être remplacé par un spécialiste en centre de réparation pour éviter tout danger.
9. N'utilisez pas l'appareil avec un cordon d'alimentation endommagé ou s'il est tombé ou endommagé de toute autre manière ou s'il ne fonctionne pas correctement. Ne réparez pas l'appareil vous-même, car il existe un risque de choc électrique. Apportez l'appareil endommagé à un centre de service approprié pour vérification ou réparation. Toutes les réparations ne peuvent être effectuées que par des points de service agréés. Des réparations mal effectuées peuvent entraîner un grave danger pour l'utilisateur.
10. Placez l'appareil sur une surface fraîche et stable, loin des appareils de cuisine chauds tels qu'une cuisinière électrique, un brûleur à gaz, etc.
11. N'utilisez pas l'appareil à proximité de matériaux inflammables.
12. Le cordon d'alimentation ne doit pas pendre au bord d'une table ou toucher des

surfaces chaudes.

13. Ne laissez jamais le produit connecté à la source d'alimentation sans surveillance. Même lorsque l'utilisation est interrompue pendant une courte période, éteignez-le du réseau, débranchez l'alimentation.

14. Pour fournir une protection supplémentaire, il est conseillé d'installer un dispositif de courant résiduel (RCD) dans le circuit électrique avec un courant résiduel nominal ne dépassant pas 30 mA. Demandez cela à un électricien.



15. N'utilisez pas l'appareil à proximité d'eau, par ex. ... dans la douche, la baignoire ou au dessus du lavabo avec de l'eau.

16. Lorsque l'appareil est utilisé dans une salle de bain, débranchez la fiche de la prise après utilisation, car la proximité de l'eau est un danger même lorsque l'appareil est éteint.

17. Ne laissez pas l'appareil se mouiller. En cas de chute de l'appareil dans l'eau, retirez immédiatement la fiche de la prise murale. Ne pas mettre les mains dans l'eau lorsque la machine est connectée au réseau. Il doit être vérifié par un électricien qualifié avant de le réutiliser.

18. Ne tenez pas l'appareil avec les mains mouillées.

19. Éteignez toujours l'appareil après chaque utilisation. Veuillez couper l'alimentation avant de débrancher.

20. N'allumez jamais l'appareil sans eau dans le réservoir d'eau.

21. Utilisez uniquement de l'eau propre et fraîche.

22. Ne versez pas d'eau dans le réservoir au-dessus du niveau maximum.

23. N'immergez pas la base de l'humidificateur. Si de l'eau se renverse sur l'appareil, débranchez-le immédiatement et laissez-le sécher.

24. N'ajoutez aucun produit chimique dans le bassin d'eau, le réservoir d'eau ou la sortie de brume. N'ajoutez pas de sels, de pastilles de détartrage, de poudres ou de produits de nettoyage à l'eau.

25. L'arrivée de brouillard et le couvercle du réservoir d'eau doivent toujours être bien fermés.

26. Assurez-vous que la sortie de brume de l'humidificateur n'est pas dirigée directement vers les murs, les meubles, les prises électriques, les appareils électriques et électroniques ou les enfants. Une humidité trop élevée dans une pièce peut entraîner une accumulation d'humidité, provoquant la croissance de bactéries et de champignons et endommageant les murs, les meubles et les papiers peints.

27. Ne bloquez pas la ventilation de l'appareil. Gardez une distance d'au moins 20 cm de l'appareil. Ne bloquez pas la sortie du brouillard d'eau de l'humidificateur.

28. N'utilisez pas l'appareil s'il y a un risque de condensation. De l'humidité peut se former à l'intérieur et à l'extérieur de l'appareil lorsque :

- l'appareil est déplacé d'un endroit froid à un endroit chaud,

- le système de chauffage vient d'être allumé,

- l'appareil est utilisé dans une pièce très humide,

- l'appareil est refroidi par le système de refroidissement de la climatisation.

Lorsque de la condensation d'humidité se produit dans l'appareil, il peut ne pas fonctionner correctement ou peut être endommagé dans des cas extrêmes. Dans ce cas, n'utilisez pas l'appareil et laissez-le sécher quelques heures.

29. Ne pas incliner, retourner ou tenter de remplir ou de verser de l'eau de la machine pendant le fonctionnement.



30. Ne retirez pas le réservoir de la base de l'appareil pendant le fonctionnement de l'humidificateur.
31. Le réservoir d'eau rempli est lourd. Lorsque vous le transportez, gardez-le également en dessous.
32. N'utilisez pas d'humidificateur si vous constatez des fuites d'eau sous l'appareil.
33. Ne laissez pas d'eau dans l'humidificateur lorsqu'il n'est pas utilisé.
34. Suivez les instructions de nettoyage de ce manuel.
35. Ne laissez jamais de sédimentation, d'humidité ou d'eau dans le réservoir de base de l'humidificateur (cela peut entraîner une contamination ou même endommager l'atomiseur à ultrasons).
36. Lors d'un fonctionnement prolongé de l'appareil, le brouillard d'eau émis par l'humidificateur peut tomber sur le sol et provoquer de l'humidité.
37. Ne soulevez pas le réservoir d'eau par la sortie de brouillard d'eau.
38. Il est interdit d'insérer des copeaux métalliques, des fils, des aiguilles et d'autres objets étrangers dans le produit ou dans les espaces du boîtier, sinon cela pourrait provoquer un choc électrique ou un dysfonctionnement.
39. Sachez que des niveaux d'humidité élevés peuvent favoriser la croissance d'organismes biologiques et de champignons dans l'environnement.
40. Trop d'humidité dans la pièce peut entraîner une accumulation d'humidité causant des dommages aux murs, aux meubles, au papier peint et à d'autres appareils électriques comme la télévision. Ne dirigez pas la sortie de brume à proximité de tels objets.
41. Ne laissez pas la zone autour de l'humidificateur devenir humide ou mouillée. En cas d'humidité, baissez la production de brume. Si la capacité de brume ne peut pas être réduite, utilisez l'humidificateur par intermittence. Ne laissez pas les matériaux absorbants, tels que les tapis, les rideaux, les tentures ou les nappes, devenir humides.
42. Ne couvrez pas l'appareil. Ne placez aucun objet sur le dessus de l'appareil.
43. N'utilisez pas l'appareil en association avec un programmateur, une minuterie ou un autre appareil qui allume automatiquement l'humidificateur.

**Avertissement :** Les micro-organismes pouvant être présents dans le réservoir d'eau seront projetés dans l'air, ce qui entraînera un très grave danger pour la santé. Pour éviter cela, changez l'eau régulièrement et nettoyez le réservoir tous les trois jours.

**Avertissement :** Le réservoir d'eau doit être vidé et rempli tous les trois jours. Avant de le remplir, nettoyez-le avec de l'eau douce ou en utilisant des détergents disponibles si requis par le fabricant. Enlevez le tartre, les dépôts ou un film qui s'est formé sur les parois du réservoir. Après le nettoyage, essuyez toutes les surfaces accessibles.

L'humidificateur à ultrasons utilise le principe d'oscillation ultrasonique à haute fréquence, l'eau est atomisée en particules ultra fines de 1 à 5 microns, puis le brouillard d'eau est diffusé dans l'air à travers le dispositif pneumatique, de manière à atteindre l'objectif d'humidifier uniformément l'air, rafraîchir l'air, hydrater la peau et améliorer la santé.

Avant la première utilisation

Lorsque l'appareil est allumé, veuillez ne pas toucher un transducteur d'atomisation (12) avec la main pour éviter de vous blesser.

Description de l'appareil : humidificateur à ultrasons

1. Couvercle de remplissage d'eau
3. Buse de pulvérisation

2. Couvercle du réservoir d'eau
4. Récipient d'aromathérapie

5. Conduit d'air de brouillard
- 7A. Allumer / Réglage de la brume / Mode veille / Bouton d'arrêt
- 7B. Bouton de minuterie
8. Affichage
10. Sortie de brume
12. Transducteur d'atomisation
14. Brosse de nettoyage

6. Réservoir d'eau
- 7C. Bouton d'humidité continue
9. Entrée d'air
11. Sortie d'air
13. Éponge de coton d'aromathérapie

#### REMPLISSAGE D'EAU – voir figure 7

1. Placez l'appareil sur une surface plane et stable. N'oubliez pas de remplir d'eau l'appareil débranché.
2. Ouvrez le couvercle de remplissage d'eau (2) avec le couvercle de remplissage d'eau (1).
3. N'oubliez pas que le conduit d'air de brouillard (5) doit être installé à l'intérieur du réservoir d'eau avant d'ajouter l'eau.
4. Lors de l'ajout d'eau, n'injectez pas d'eau dans la buse de pulvérisation (3) et n'injectez pas d'eau dans la sortie de brouillard (10) ainsi que n'injectez pas d'eau dans la sortie d'air (9).
5. Veillez à ne pas dépasser le niveau d'eau MAX (maximum) indiqué sur la sortie d'air (9) - llok à la Figure 2. Utilisez de l'eau du robinet propre.
6. Fermez le couvercle du réservoir d'eau (2) avec le couvercle de remplissage d'eau (1). Branchez l'appareil.
7. Lorsqu'il n'est pas prévu d'utiliser l'appareil, l'eau doit être vidée du réservoir d'eau (6).
8. Pour réduire la précipitation de calcaire de l'eau - poudre blanche, vous pouvez éventuellement acheter un filtre à eau pour cet appareil, numéro AD7972.1 auprès du vendeur de cet appareil.

#### FONCTION AROMATHÉRAPIE

1. Retirez le couvercle du réservoir d'eau (1) ainsi que le couvercle de remplissage d'eau (1).
2. Versez 2-3 gouttes d'huile essentielle sur une éponge de coton d'aromathérapie (13) et placez-la dans un récipient d'aromathérapie (4). Regardez la figure 4. Placez un récipient d'aromathérapie (4) sur le dessus de la sortie de brumisation (10). L'éperlan agréable sera distribué avec de la brume.

ATTENTION : SEULES les huiles essentielles hydrosolubles conviennent à cet appareil.

3. NE PAS verser d'huiles essentielles directement dans l'eau.

#### OPÉRATION

1. Une fois branché, l'appareil émet un signal sonore et l'appareil passe en mode veille.
2. Pour allumer l'appareil, appuyez une fois sur le bouton d'allumage (7A). Le volume de brumisation par défaut est réglé au niveau bas, vous verrez sur l'affichage (8) deux lignes (Figure 9B). Appuyez sur ce bouton (7A) à plusieurs reprises pour changer les modes en niveau de sortie de brouillard moyen (Figure 9C), volume de brouillard élevé (Figure 9D), mode veille (Figure 9D) ou éteindre l'appareil (Figure 9E) tour à tour.

#### PROTECTION CONTRE LA PÉNURIE D'EAU

Lorsque l'appareil fonctionne, le ressort intégré détecte le manque d'eau. Ensuite, l'appareil s'arrête de fonctionner, l'écran (8) affichera "EE" et clignotera pendant 5 secondes et vous entendrez 3 signaux sonores. Après cela, l'appareil passe en état de veille. Après avoir ajouté l'eau, appuyez sur le bouton de mise en marche (7A), puis l'appareil peut fonctionner normalement.

#### RÉGLAGE DU MODE VEILLE

L'appareil fonctionnera à une sortie de brume moyenne pendant 5 minutes et il mettra la sortie de brume en pause pendant 5 minutes, puis il fonctionnera 5 minutes et il fera une pause de 10 minutes ; Ensuite, il fonctionnera pendant 5 minutes et il fera une pause de 15 minutes, le fonctionnement ultérieur se poursuivra dans ce cycle. En mode veille, l'affichage (8) est assombri – regardez la Figure 9E.

#### RÉGLAGE DE LA MINUTERIE

Le paramètre par défaut est zéro heure. Pendant le fonctionnement, appuyez sur le bouton de la minuterie (7B) à plusieurs reprises pour choisir l'une des périodes de fonctionnement de la minuterie : 1 heure ou 2 heures ou 4 heures ou 6 heures ou appuyez à nouveau pour désactiver la fonction de minuterie - voir Figure 4. La fonction de minuterie arrête le fonctionnement de l'appareil une fois la période fixée écoulée.

#### RÉGLAGE DU NIVEAU D'HUMIDITÉ

Pendant le fonctionnement de l'appareil, appuyez sur le bouton d'humidité continue (7C), vous pouvez régler la valeur d'humidité dans la plage de 40 à 90 % d'humidité relative, chaque pression répétée augmentera de 5 %. Lorsque le niveau d'humidité est réglé, l'appareil humidifie en permanence jusqu'au niveau d'humidification souhaité. Après avoir atteint le niveau d'humidification souhaité, l'appareil passe en état de veille et arrête de pulvériser le brouillard jusqu'à ce que le niveau d'humidité ambiante soit réduit à 5 % en dessous du niveau d'humidification souhaité. Dans ce cas, l'appareil recommence automatiquement à pulvériser le brouillard. Regardez la figure 5.

#### NETTOYAGE ET ENTRETIEN

1. Débranchez l'appareil avant de le nettoyer. S'il reste de l'eau dans le réservoir d'eau (6), il faut la vider en inclinant le réservoir d'eau

(6).

ATTENTION : Le problème important est la position correcte du réservoir d'eau (6) pendant que l'eau est versée. La position correcte est obtenue lorsque la sortie d'air (9) reste sèche et que le flux d'eau est dirigé par le bord opposé du réservoir d'eau (6).

2. Nettoyez le réservoir d'eau tous les 3 jours.

3. Après que l'appareil a été utilisé pendant un certain temps, il est facile d'apparaître du tartre et de former un phénomène de "poudre blanche", il est fixé à la surface d'un transducteur d'atomisation (12), affectant l'efficacité de l'humidification. Il est nécessaire de nettoyer régulièrement les composants principaux. Pour nettoyer les composants principaux, regardez la Figure 6.

\* Ouvrir le couvercle du réservoir d'eau (2), démonter le conduit d'air de brumisation (5) en tournant dans le sens inverse des aiguilles d'une montre - voir Figure 6A.

\* Essayez l'intérieur du réservoir d'eau (6) et le conduit d'air de brouillard (5) avec un chiffon doux - regardez la Figure 6B.

\* Ajoutez la quantité d'eau appropriée, nettoyez l'appareil avec la brosse de nettoyage (14) - regardez la figure 6C.

\* Essayez un transducteur d'atomisation (12) avec un coton-tige imprégné d'une solution d'acide citrique.

4. N'utilisez pas d'ustensiles durs pointus pour toucher l'atomiseur.

5. N'utilisez pas de détergent pour nettoyer, l'eau du clan est meilleure. Ensuite, séchez les éléments avec un chiffon doux, installez le conduit d'air de brouillard (5) en tournant dans le sens des aiguilles d'une montre.

6. La surface extérieure du boîtier de l'appareil peut être nettoyée avec un chiffon humide, puis essuyée avec un chiffon propre.

N'utilisez pas de solvants chimiques, d'essence, de kérosène ou de poudre à polir pour essuyer la surface.

7. Ne laissez pas l'eau pénétrer à l'intérieur du boîtier lors du nettoyage pour éviter un dysfonctionnement des composants internes.

8. Nettoyez l'appareil avant chaque prochaine utilisation.

## STOCKAGE

1. Pour un stockage saisonnier, l'appareil doit être vide, nettoyé et sec.

2. Stockage dans un sac à l'abri de la poussière, dans un endroit sec.

## DÉPANNAGE

Si l'appareil ne fonctionne pas correctement, vérifiez les raisons possibles suivantes avant de l'envoyer au service après-vente pour résoudre les problèmes par vous-même.

PROBLÈME I. : l'afficheur (8) n'est pas allumé.

RAISON POSSIBLE DU PROBLÈME I : l'alimentation n'est pas correctement branchée.

SOLUTION DU PROBLÈME I : branchez le cordon d'alimentation et allumez l'appareil.

PROBLÈME II. : il y a de l'eau dans le réservoir, le voyant rouge clignote lorsque l'appareil est allumé

RAISON POSSIBLE DU PROBLÈME II : il y a trop de tartre sur un transducteur d'atomisation (12)

SOLUTION DU PROBLÈME II : nettoyer le tartre blanc qui s'accumule sur le transducteur de pulvérisation (12)

PROBLÈME III. : la quantité d'atomisation est trop petite

RAISON POSSIBLE DU PROBLÈME III :

IIIa. Il y a trop d'échelle blanche sur le transducteur d'atomisation (12)

IIIb . L'eau est trop sale ou stockée trop longtemps

IIIc. Le volume de brumisation a été réglé à un niveau bas

SOLUTION DU PROBLÈME III :

IIIa. nettoyer le calcaire blanc sur un transducteur de pulvérisation (12)

IIIb . Changer pour de l'eau propre

IIIc. Configurer un niveau de brume moyen ou élevé

PROBLÈME IV. : Bruit anormal

RAISON POSSIBLE DU PROBLÈME IV :

IVa . Il y a trop moins d'eau dans le réservoir d'eau

IVb . Il entre en collision avec la surface de la table pour produire des vibrations

SOLUTION DU PROBLÈME IV :

IVa . Ajoutez de l'eau

IVb . Placez l'appareil sur une surface ferme et lisse

PROBLÈME V : Odeur particulière de brume

RAISON POSSIBLE DU PROBLÈME II : L'eau dans le réservoir d'eau n'est pas propre ou elle a été conservée pendant longtemps

SOLUTION DU PROBLÈME II : Nettoyez le réservoir d'eau, séchez-le, puis ajoutez de l'eau propre

## DONNEES TECHNIQUES :

Puissance : 23W

Alimentation : 220-240V ~50-60Hz

Capacité du réservoir d'eau : 4 litres



Respect de l'environnement. Nous vous prions de bien vouloir trier les emballages en carton ainsi que les sachets plastiques (en polyéthylène). L'appareil usagé ne doit pas être jeté à la poubelle mais remis au point de collecte prévu à cet effet car il contient des éléments pouvant être nocifs pour l'environnement. L'appareil électrique doit être remis de manière à maximum une éventuelle utilisation ultérieure. Si l'appareil contient des piles, il faut les retirer et les remettre à un autre point de collecte.

Ne pas jeter l'appareil dans une poubelle de déchets ménagers !!!

CONDICIONES GENERALES DE SEGURIDAD  
INSTRUCCIONES DE SEGURIDAD IMPORTANTES LEER DETENIDAMENTE Y  
GUARDAR PARA EL FUTURO

Las condiciones de la garantía son diferentes si el dispositivo se utiliza con fines comerciales.

1. Antes de usar el producto, lea atentamente y cumpla siempre las siguientes instrucciones. El fabricante no se hace responsable de los daños causados por el uso del dispositivo en contra de su propósito previsto o por un funcionamiento inadecuado.
2. El dispositivo es solo para uso doméstico. No lo utilice para otros fines que no sean los previstos.
3. El dispositivo solo debe conectarse a una toma de 220-240 V ~ 50/60 Hz.
4. Tenga especial cuidado cuando utilice el dispositivo cuando haya niños cerca. No permita que los niños jueguen con el dispositivo, no permita que los niños o personas que no estén familiarizadas con el dispositivo lo usen.
5. **ADVERTENCIA:** Este equipo puede ser utilizado por niños mayores de 8 años y personas con capacidad física, sensorial o mental limitada, o personas que no tengan experiencia o conocimiento del equipo, si esto se hace bajo la supervisión de una persona responsable. por su seguridad o se les ha concedido información sobre el uso seguro del dispositivo y son conscientes de los peligros de utilizarlo. Los niños no deben jugar con el equipo. La limpieza y el mantenimiento del dispositivo no deben ser realizados por niños, a menos que sean mayores de 8 años y estas actividades se realicen bajo supervisión.
6. Quite siempre el enchufe de la toma de corriente después de usarlo, sujetándolo con la mano. NO tire del cable de alimentación.
7. No sumerja el cable, el enchufe, la base y todo el dispositivo en agua o cualquier otro líquido. No exponga el dispositivo a condiciones atmosféricas (lluvia, sol, etc.) ni lo utilice en condiciones de alta humedad (baños, casas móviles húmedas).
8. Compruebe periódicamente el estado del cable de alimentación. Si el cable de alimentación está dañado, debe ser reemplazado por un especialista en el centro de reparación para evitar peligros.
9. No utilice el dispositivo con un cable de alimentación dañado o si se ha caído o dañado de alguna otra manera o si no funciona correctamente. No repare el dispositivo usted mismo, ya que existe el riesgo de descarga eléctrica. Lleve el dispositivo dañado a un centro de servicio adecuado para su revisión o reparación. Todas las reparaciones solo pueden ser realizadas por puntos de servicio autorizados. Las reparaciones realizadas incorrectamente pueden suponer un grave peligro para el usuario.
10. Coloque el dispositivo sobre una superficie fresca y estable, lejos de aparatos de cocina calientes como una estufa eléctrica, quemador de gas, etc.
11. No utilice el dispositivo cerca de materiales inflamables.
12. El cable de alimentación no debe colgar del borde de una mesa ni tocar superficies calientes.
13. Nunca deje el producto conectado a la fuente de alimentación sin supervisión. Incluso cuando el uso se interrumpa por un corto tiempo, apáguelo de la red, desenchufe la alimentación.
14. Para proporcionar protección adicional, es recomendable instalar un dispositivo de corriente residual (RCD) en el circuito eléctrico con una corriente residual nominal que no exceda los 30 mA. Pregúntele a un electricista por esto.
15. No utilice el dispositivo cerca del agua, p. Ej. ... en la ducha, la bañera o encima del lavabo con agua.
16. Cuando utilice el aparato en un baño, retire el enchufe de la toma de corriente después de su uso, ya que la proximidad del agua es un peligro incluso cuando el aparato está apagado.
17. No permita que el dispositivo se moje. En caso de que el dispositivo caiga al agua, retire inmediatamente el enchufe de la toma de corriente. No meta las manos en el agua cuando la máquina esté conectada a la red. Debe ser revisado por un electricista



calificado antes de volver a usarlo.

18. No sujete el dispositivo con las manos mojadas.

19. Apague siempre el dispositivo después de cada uso. Apague la energía antes de desenchufar.

20. Nunca encienda el dispositivo sin agua en el tanque de agua.

21. Utilice solo agua limpia y fría.

22. No vierta agua en el tanque por encima del nivel máximo.

23. No sumerja la base del humidificador. Si se derrama agua sobre el dispositivo, desenchúfelo inmediatamente y déjelo secar.

24. No agregue ningún producto químico al depósito de agua, al tanque de agua ni a la salida de neblina. No agregue sales, tabletas descalcificantes, polvos o sustancias de limpieza al agua.

25. La entrada de neblina y la tapa del tanque de agua siempre deben estar bien cerradas.

26. Asegúrese de que la salida de vapor del humidificador no esté dirigida directamente a paredes, muebles, enchufes eléctricos, dispositivos eléctricos y electrónicos o niños. Una humedad demasiado alta en una habitación puede provocar la acumulación de humedad, lo que hace que crezcan bacterias y hongos y dañe las paredes, los muebles y los papeles pintados.

27. No bloquee la ventilación del dispositivo. Mantenga una distancia de al menos 20 cm del dispositivo. No bloquee la salida de agua nebulizada del humidificador.

28. No utilice el dispositivo si existe riesgo de condensación. Se puede formar humedad en el interior y el exterior del dispositivo cuando:

- el dispositivo se traslada de un lugar frío a uno cálido,

- el sistema de calefacción se acaba de conectar,

- el dispositivo se utiliza en una habitación con mucha humedad,

- el dispositivo se enfría mediante el sistema de refrigeración del aire acondicionado.

Cuando se produce condensación de humedad en el dispositivo, es posible que no funcione correctamente o que se dañe en casos extremos. En este caso, no utilice el dispositivo y déjelo secar durante unas horas.

29. No incline, dé la vuelta ni intente rellenar o verter agua de la máquina durante el funcionamiento.

30. No retire el tanque de la base del dispositivo durante el funcionamiento del humidificador.

31. El tanque de agua lleno pesa mucho. Cuando lo lleve, guárdelo debajo también.

32. No use un humidificador si encuentra fugas de agua debajo del dispositivo.

33. No deje agua en el humidificador cuando no se esté utilizando.

34. Siga las instrucciones de limpieza de este manual.

35. Nunca deje sedimentación, humedad o agua en el tanque de la base del humidificador (esto puede causar contaminación o incluso dañar el atomizador ultrasónico).

36. Durante el funcionamiento prolongado del dispositivo, la neblina de agua emitida por el humidificador puede caer al suelo y provocar humedad.

37. No levante el tanque de agua por la salida de agua nebulizada.

38. Está prohibido insertar virutas de metal, cables, agujas y otros objetos extraños en el producto o en los huecos de la carcasa; de lo contrario, podría provocar una descarga eléctrica o un mal funcionamiento.

39. Tenga en cuenta que los niveles altos de humedad pueden estimular el crecimiento de organismos biológicos y hongos en el medio ambiente.

40. Demasiada humedad en la habitación puede provocar la acumulación de humedad y dañar las paredes, los muebles, el papel tapiz y otros aparatos eléctricos como la televisión. No dirija la salida de niebla cerca de tales objetos.

41. No permita que el área alrededor del humidificador se humedezca o se moje. Si se produce humedad, reduzca la producción de niebla. Si no se puede reducir la capacidad de nebulización, utilice el humidificador de forma intermitente. No permita que los materiales absorbentes, como alfombras, cortinas, cortinas o manteles, se humedezcan.

42. No cubra el dispositivo. No coloque ningún objeto en la parte superior del dispositivo.

43. No utilice el dispositivo junto con un programador, temporizador u otro dispositivo que encienda automáticamente el humidificador.

**Advertencia:** Los microorganismos que puedan estar presentes en el tanque de agua serán expulsados al aire, causando un peligro muy grave para la salud. Para evitar esto, cambie el agua regularmente y limpie el tanque cada tres días.

**Advertencia:** El depósito de agua debe vaciarse y rellenarse cada tres días. Antes de rellenar, límpielo con agua dulce o con los detergentes disponibles si así lo requiere el fabricante. Retire incrustaciones, depósitos o una película que se haya formado en las paredes del tanque. Después de limpiar, seque todas las superficies accesibles.

El humidificador ultrasónico utiliza el principio de oscilación ultrasónica de alta frecuencia, el agua se atomiza en partículas ultrafinas de 1-5 micras, luego la niebla de agua se difunde en el aire a través del dispositivo neumático, para lograr el propósito de humidificar uniformemente el aire, aire refrescante, hidratando la piel y mejorando la salud.

Antes del primer uso

Cuando el dispositivo esté encendido, no toque el transductor atomizador (12) con la mano para evitar lesiones.

Descripción del dispositivo: humidificador ultrasónico

- |  |  |
|--|--|
| 1. Tapa de llenado de agua   | 2. Tapa del depósito de agua             |
| 3. Boquilla de pulverización                                       | 4. Contenedor de aromaterapia            |
| 5. Conducto de aire nebulizado                                     | 6. Depósito de agua                      |
| 7A. Botón de encendido/ajuste de niebla/modo de suspensión/apagado | 7C. Botón de humedad continua            |
| 7B. Botón del temporizador   | 9. Entrada de aire                       |
| 8. Pantalla  | 11. Salida de aire                       |
| 10. Salida de niebla   | 13. Esponja de algodón para aromaterapia |
| 12. Transductor atomizador   |  |
| 14. Cepillo de limpieza  |  |

**LLENADO DE AGUA – mira la figura 7**

1. Coloque el dispositivo sobre una superficie plana y estable. Recuerde llenar el agua hasta el dispositivo desenchufado.
2. Abra la tapa de llenado de agua (2) junto con la tapa de llenado de agua (1).
3. Recuerde que el conducto de aire nebulizado (5) debe instalarse dentro del tanque de agua antes de agregar el agua.
4. Al agregar el agua, no inyecte agua en la boquilla de rociado (3) y no inyecte agua en la salida de niebla (10) así como tampoco inyecte agua en la salida de aire (9).
5. Preste atención para no exceder el nivel de agua MAX (máximo) marcado en la salida de aire (9) - llok en la Figura 2. Use agua limpia del grifo.
6. Cierre la tapa del depósito de agua (2) junto con la tapa de llenado de agua (1). Enchufe el dispositivo.
7. Cuando no se planea usar el dispositivo, el agua se debe verter en el tanque de agua (6).
8. Para reducir la precipitación de cal del agua - polvo blanco, puede comprar opcionalmente un filtro de agua para este dispositivo, número AD7972.1 del vendedor de este dispositivo.

**FUNCIÓN DE AROMATERAPIA**

1. Retire la tapa del depósito de agua (1) junto con la tapa de llenado de agua (1).
2. Vierta 2-3 gotas de aceite esencial en una esponja de algodón para aromaterapia (13) y colóquela dentro de un recipiente para aromaterapia (4). Mire la Figura 4. Coloque un recipiente de aromaterapia (4) en la parte superior de la salida de vapor (10). El olor agradable se distribuirá junto con la niebla.

**ATENCIÓN:** SOLO los aceites esenciales solubles en agua son adecuados para este dispositivo.

3. NO gotee aceites esenciales en el agua directamente.

**OPERACIÓN**

1. Después de enchufar, el dispositivo emite una señal de sonido y el dispositivo entra en el estado de espera.
2. Para encender el dispositivo presione una vez el botón de encendido (7A). El volumen de niebla predeterminado está configurado en un nivel bajo, verá en la pantalla (8) dos líneas (Figura 9B). Presione este botón (7A) repetidamente para cambiar los modos a nivel de salida de niebla medio (Figura 9C), volumen de niebla alto (Figura 9D), modo de suspensión (Figura 9D) o apagar el dispositivo (Figura 9E) a su vez.

## PROTECCIÓN CONTRA LA ESCASEZ DE AGUA

Cuando el dispositivo está funcionando, el resorte incorporado detecta la falta de agua. Entonces el dispositivo deja de funcionar, la pantalla (8) mostrará "EE" parpadeando durante 5 segundos y escuchará 3 señales sonoras. Después de esto, el dispositivo entra en estado de espera. Después de agregar el agua, presione el botón de encendido (7A), luego el dispositivo puede funcionar normalmente.

## CONFIGURACIÓN DEL MODO DE REPOSO

El dispositivo funcionará con una salida de niebla media durante 5 minutos y pausará la salida de niebla durante 5 minutos, luego funcionará 5 minutos y hará una pausa de 10 minutos; luego funcionará durante 5 minutos y se detendrá durante 15 minutos, la operación adicional continuará en dicho ciclo. En el modo de suspensión, la pantalla (8) está atenuada; mire la Figura 9E.

## CONFIGURACIÓN DEL TEMPORIZADOR

La configuración predeterminada es cero horas. Durante el funcionamiento, presione el botón del temporizador (7B) repetidamente para elegir uno de los periodos de funcionamiento del temporizador: 1 hora, 2 horas, 4 horas o 6 horas, o presione de nuevo para apagar la función del temporizador; observe la Figura 4. La función del temporizador detiene la operación del dispositivo después de que haya pasado un periodo fijo.

## CONFIGURACIÓN DEL NIVEL DE HUMEDAD

Durante el funcionamiento del dispositivo, presione el botón de humedad continua (7C), puede configurar el valor de humedad en el rango de 40-90% de humedad relativa, cada vez que lo presione aumentará con un valor del 5%. Cuando se establece el nivel de humedad, el dispositivo humedece constantemente hasta el nivel de humidificación deseado. Después de alcanzar el nivel de humidificación deseado, el dispositivo entra en estado de espera y deja de rociar la niebla hasta que el nivel de humedad ambiental se reduce a un 5 % por debajo del nivel de humidificación deseado. En tal caso, el dispositivo comienza a rociar la niebla de nuevo automáticamente. Mire la figura 5.

## LIMPIEZA Y MANTENIMIENTO

1. Desconecte el dispositivo antes de limpiarlo. Si queda algo de agua en el depósito de agua (6), se debe vaciar inclinando el depósito de agua (6).

ATENCIÓN: La cuestión importante es la posición correcta del depósito de agua (6) mientras se vierte el agua. La posición correcta se logra cuando la salida de aire (9) permanece seca y el chorro de agua pasa por el borde opuesto del tanque de agua (6).

2. Limpiar el depósito de agua cada 3 días.

3. Después de que el dispositivo se usa durante un período de tiempo, es fácil que aparezcan escamas y se forme un fenómeno de "polvo blanco", se adhiere a la superficie de un transductor atomizador (12), lo que afecta la eficiencia de humidificación. Es necesario limpiar los componentes principales regularmente. Para limpiar los componentes principales, observe la Figura 6.

\* Abra la tapa del depósito de agua (2), desmonte el conducto de aire nebulizado (5) girándolo en sentido contrario a las agujas del reloj - observe la Figura 6A.

\* Limpie el interior del tanque de agua (6) y el conducto de aire nebulizado (5) con un paño suave; mire la Figura 6B.

\* Agregue la cantidad adecuada de agua, limpie el dispositivo con el cepillo de limpieza (14) - mire la Figura 6C.

\* Limpie un transductor de atomización (12) con un bastoncillo de algodón pegado con solución de ácido cítrico.

4. No use utensilios afilados y duros para tocar el atomizador.

5. No use detergente para limpiar, el agua del clan es mejor. A continuación, seque los elementos con un paño suave e instale el conducto de aire nebulizado (5) girando en el sentido de las agujas del reloj.

6. La superficie exterior de la carcasa del dispositivo se puede limpiar con un paño húmedo y luego secar con un paño limpio. No use solventes químicos, gasolina, queroseno o polvo para pulir para limpiar la superficie.

7. No permita que el agua entre en la carcasa cuando limpie para evitar el mal funcionamiento de los componentes internos.

8. Limpie el dispositivo antes de cada próximo uso.

## ALMACENAMIENTO

1. Para el almacenamiento estacional, el dispositivo debe estar vacío, limpio y seco.

2. Almacenamiento en bolsa para evitar el polvo, en lugar seco.

## SOLUCIÓN DE PROBLEMAS

Si el dispositivo no funciona correctamente, consulte las siguientes razones posibles antes de enviarlo al servicio posventa para resolver los problemas por su cuenta.

PROBLEMA I.: la pantalla (8) no está encendida.

POSIBLE RAZÓN DEL PROBLEMA I: la alimentación no está enchufada correctamente.

SOLUCIÓN DEL PROBLEMA I: enchufe el cable de alimentación y encienda la alimentación.

PROBLEMA II.: hay agua en el tanque, la luz roja parpadea cuando el dispositivo está encendido

POSIBLE RAZÓN DEL PROBLEMA II: hay demasiada cal en un transductor atomizador (12)

SOLUCIÓN DEL PROBLEMA II: limpiar la cal blanca acumulada en el transductor atomizador (12)

PROBLEMA III.: la cantidad de atomización es demasiado pequeña

POSIBLE RAZÓN DEL PROBLEMA III:

IIIa. Hay demasiada escala blanca en el transductor atomizador (12)

IIIb . El agua está demasiado sucia o demasiado tiempo almacenada

III c. El volumen de niebla se configurará en un nivel bajo

SOLUCIÓN DEL PROBLEMA III:

IIIa. limpiar la cal blanca en un transductor atomizador (12)

IIIb . Cambiar a agua limpia

III c. Configure un nivel de niebla medio o alto

PROBLEMA IV.: Ruido anormal

POSIBLE RAZÓN DEL PROBLEMA IV:

IVa . Hay muy poca agua en el tanque de agua

IVb . Choca con la superficie de la mesa para producir nerviosismo.

SOLUCIÓN DEL PROBLEMA IV:

IVa . añadir agua

IVb . Coloque el dispositivo sobre una superficie firme y lisa.

PROBLEMA V: Peculiar olor a neblina

POSIBLE RAZÓN DEL PROBLEMA II: El agua en el tanque de agua no está limpia o se mantuvo por mucho tiempo

SOLUCIÓN DEL PROBLEMA II: Limpiar el tanque de agua, secarlo, luego agregar agua limpia

FECHA TÉCNICA:

Potencia: 23W

Fuente de alimentación: 220-240V ~50-60Hz

Capacidad del tanque de agua : 4 litros



Preocupación por el medio ambiente. Por favor, lleva las cajas de cartón a un sitio de reciclaje. Las bolsas de polietileno se deben tirar al cubo de la basura amarillo (para envases). El equipo gastado debe ser entregado en el punto de almacenamiento adecuado, porque las piezas que constituyen el equipo pueden suponer un peligro para el medio ambiente. Debes entregar el equipo Hay que devolver el equipo eléctrico con el fin de evitar su reutilización. Si en el equipo se encuentran pilas, hay que sacarlas y entregar por separado, en un punto de almacenamiento adecuado. No tires el equipo al contenedor para residuos urbanos!!

## PORTUGUÊS

### CONDIÇÕES GERAIS DE SEGURANÇA INSTRUÇÕES DE SEGURANÇA IMPORTANTES, LEIA COM ATENÇÃO E GUARDE PARA O FUTURO

As condições de garantia são diferentes, se o dispositivo for usado para fins comerciais.

1. Antes de usar o produto, leia com atenção e sempre siga as instruções a seguir. O fabricante não se responsabiliza por danos causados pelo uso do dispositivo de forma contrária ao fim a que se destina ou por operação inadequada.

2. O dispositivo é apenas para uso doméstico. Não use para outros fins que não os pretendidos.

3. O dispositivo só deve ser conectado a uma tomada de 220-240 V ~ 50/60 Hz.

4. Tome especial cuidado ao usar o dispositivo quando houver crianças por perto. Não permita que crianças brinquem com o dispositivo, não permita que crianças ou pessoas não familiarizadas com o dispositivo o utilizem.

5. AVISO: Este equipamento pode ser usado por crianças com mais de 8 anos de idade e pessoas com capacidade física, sensorial ou mental limitada, ou pessoas que não têm experiência ou conhecimento do equipamento, se isso for feito sob a supervisão de um responsável para a sua segurança ou que lhes tenham sido fornecidas informações sobre a utilização segura do dispositivo e estão cientes dos perigos de o utilizar. As crianças não devem brincar com o equipamento. A limpeza e manutenção do aparelho não devem ser realizadas por crianças, a menos que tenham mais de 8 anos e essas atividades sejam realizadas sob supervisão.

6. Sempre retire o plugue da tomada após o uso, segurando-a com a mão. NÃO puxe o cabo de alimentação.

7. Não mergulhe o cabo, plugue, base e todo o dispositivo em água ou qualquer outro líquido. Não exponha o dispositivo a condições atmosféricas (chuva, sol, etc.) ou use em condições de alta umidade (banheiros, casas móveis úmidas).

8. Verifique periodicamente a condição do cabo de alimentação. Se o cabo de alimentação estiver danificado, deve ser substituído por um especialista em um centro de reparos para evitar perigos.

9. Não use o dispositivo com um cabo de alimentação danificado ou se ele tiver caído ou danificado de qualquer outra forma ou se não estiver funcionando corretamente. Não



repare o dispositivo por conta própria, pois existe o risco de choque elétrico. Leve o dispositivo danificado a um centro de serviço apropriado para verificação ou reparo. Todas as reparações só podem ser realizadas por pontos de serviço autorizados.

Reparos executados incorretamente podem causar sérios riscos ao usuário.

10. Coloque o dispositivo em uma superfície fria e estável, longe de aparelhos de cozinha quentes, como fogão elétrico, queimador de gás, etc.

11. Não use o dispositivo perto de materiais inflamáveis.

12. O cabo de alimentação não pode ficar pendurado na borda de uma mesa ou tocar em superfícies quentes.

13. Nunca deixe o produto conectado à fonte de alimentação sem supervisão. Mesmo quando o uso for interrompido por um curto período de tempo, desligue-o da rede e desconecte-o da tomada.

14. Para fornecer proteção adicional, é aconselhável instalar um dispositivo de corrente residual (RCD) no circuito elétrico com uma corrente residual nominal não superior a 30 mA. Peça isso a um electricista.

15. Não use o dispositivo perto de água, por ex. ... no chuveiro, banheira ou acima da pia com água.

16. Quando o aparelho for usado no banheiro, remova o plugue da tomada após o uso, pois a proximidade da água é um perigo mesmo quando o aparelho está desligado.

17. Não permita que o dispositivo se molhe. No caso de o dispositivo cair na água, remova imediatamente o plugue da tomada. Não coloque as mãos na água quando a máquina estiver conectada à rede. Deve ser verificado por um electricista qualificado antes de usá-lo novamente.

18. Não segure o dispositivo com as mãos molhadas.

19. Sempre desligue o dispositivo após cada uso. Desligue a energia antes de desconectar.

20. Nunca ligue o aparelho sem água no reservatório de água.

21. Use apenas água limpa e fria.

22. Não coloque água no tanque acima do nível máximo.

23. Não mergulhe a base do umidificador. Se derramar água no dispositivo, desligue-o imediatamente e deixe-o secar.

24. Não adicione produtos químicos ao reservatório de água, tanque de água ou saída de névoa. Não adicione sais, pastilhas descalcificantes, pós ou substâncias de limpeza à água.

25. A entrada de névoa e a tampa do tanque de água devem estar sempre bem fechadas.

26. Certifique-se de que a saída de névoa do umidificador não seja direcionada diretamente para paredes, móveis, tomadas elétricas, dispositivos elétricos e eletrônicos ou crianças. Umidade muito alta em uma sala pode levar ao acúmulo de umidade, causando o crescimento de bactérias e fungos e danos às paredes, móveis e papéis de parede.

27. Não bloqueie a ventilação do dispositivo. Mantenha uma distância de pelo menos 20 cm do dispositivo. Não bloqueie a saída de névoa de água do umidificador.

28. Não use o dispositivo se houver risco de condensação. A umidade pode se formar na parte interna e externa do dispositivo quando:

- o dispositivo é movido de um local frio para um local quente,

- o sistema de aquecimento acabou de ser ligado,

- o dispositivo é usado em uma sala com alta umidade,

- o aparelho é resfriado pelo sistema de resfriamento do ar condicionado.

Quando ocorre condensação de umidade no dispositivo, ele pode não funcionar corretamente ou pode ser danificado em casos extremos. Neste caso, não use o aparelho e deixe-o secar por algumas horas.

29. Não incline, vire ou tente encher ou despejar água da máquina durante a operação.

30. Não remova o tanque da base do dispositivo durante a operação do umidificador.

31. O tanque de água cheio é pesado. Ao carregá-lo, mantenha-o embaixo também.

32. Não use um umidificador se encontrar vazamentos de água embaixo do dispositivo.



33. Não deixe água no umidificador quando não estiver sendo usado.
34. Siga as instruções de limpeza neste manual.
35. Nunca permita que sedimentação, umidade ou água permaneçam no tanque da base do umidificador (isso pode causar contaminação ou até mesmo danificar o atomizador ultrassônico).
36. Durante a operação prolongada do dispositivo, a névoa de água emitida pelo umidificador pode cair no chão e causar umidade.
37. Não levante o tanque de água pela saída de névoa de água.
38. É proibido inserir lascas de metal, fios, agulhas e outros objetos estranhos no produto ou nas aberturas da caixa, caso contrário, pode causar choque elétrico ou mau funcionamento.
39. Esteja ciente de que altos níveis de umidade podem estimular o crescimento de organismos biológicos e fungos no meio ambiente.
40. Muita umidade na sala pode levar ao acúmulo de umidade causando danos às paredes, móveis, papel de parede e outros aparelhos elétricos como TV. Não direcione a saída de névoa para perto de tais objetos.
41. Não permita que a área ao redor do umidificador fique úmida ou molhada. Se houver umidade, diminua a produção de névoa. Se a capacidade da névoa não puder ser diminuída, use o umidificador de forma intermitente. Não permita que materiais absorventes, como carpetes, cortinas, toalhas de mesa, fiquem úmidos.
42. Não cubra o dispositivo. Não coloque nenhum objeto em cima do dispositivo.
43. Não use o dispositivo em associação com um programador, cronômetro ou outro dispositivo que liga automaticamente o umidificador.

**Aviso:** Os microrganismos que possam estar presentes no depósito de água serão expelidos para o ar, causando um perigo muito grave para a saúde. Para evitar isso, troque a água regularmente e limpe o tanque a cada três dias.

**Atenção:** O reservatório de água deve ser esvaziado e reabastecido a cada três dias. Antes de reabastecer, limpe-o com água doce ou usando detergentes disponíveis, se exigido pelo fabricante. Remova incrustações, depósitos ou filme que se formou nas paredes do tanque. Após a limpeza, seque todas as superfícies acessíveis.

O umidificador ultrassônico usa o princípio de oscilação ultrassônica de alta frequência, a água é atomizada em partículas ultrafinas de 1-5 microns, então a névoa de água é difundida no ar através do dispositivo pneumático, de modo a atingir o objetivo de umidificar uniformemente o ar, refrescar o ar, hidratando a pele e melhorando a saúde.

Antes do primeiro uso

Quando o dispositivo estiver ligado, não toque no transdutor de atomização (12) com a mão para evitar ferimentos.

Descrição do dispositivo: umidificador ultrassônico

- |   |  |
|---|--|
| 1. Tampa de enchimento de água                                | 2. Tampa do tanque de água               |
| 3. Bocal de pulverização                                      | 4. Recipiente de aromaterapia            |
| 5. Duto de ar de névoa  | 6. Tanque de água                        |
| 7A. Ligar/Ajuste de névoa/Modo de suspensão/Botão de desligar | 7C. Botão de umidade contínua            |
| 7B. Botão do temporizador                                     | 9. Entrada de ar                         |
| 8. Visor  | 11. Saída de ar                          |
| 10. Saída de névoa  | 13. Esponja de algodão para aromaterapia |
| 12. Transdutor de atomização                                  |  |
| 14. Escova de limpeza   |  |

**ENCHIMENTO DE ÁGUA** – veja a figura 7

1. Coloque o dispositivo em uma superfície plana e estável. Lembre-se de encher a água com o dispositivo desconectado.
2. Abra a tampa de enchimento de água (2) juntamente com a tampa de enchimento de água (1).
3. Lembre-se de que o duto de ar nebulizado (5) deve ser instalado dentro do tanque de água antes de adicionar a água.
4. Ao adicionar a água, não injete água no bico do borrifador (3) e não injete água na saída de névoa (10) e também não injete água na saída de ar (9).

5. Preste atenção para não ultrapassar o nível de água MAX (máximo) marcado na saída de ar (9) - llok na Figura 2. Use água limpa da torneira.
6. Feche a tampa do depósito de água (2) juntamente com a tampa de enchimento de água (1). Conecte o dispositivo.
7. Quando o dispositivo não for usado, a água deve ser despejada no tanque de água (6).
8. Para reduzir a precipitação de calcário da água - pó branco, você pode opcionalmente adquirir um filtro de água para este dispositivo, número AD7972.1 do vendedor deste dispositivo.

## FUNÇÃO DE AROMATERAPIA

1. Retire a tampa do depósito de água (1) juntamente com a tampa de enchimento de água (1).
  2. Despeje 2-3 gotas de óleo essencial em uma esponja de algodão de aromaterapia (13) e coloque-a dentro de um recipiente de aromaterapia (4). Observe a Figura 4. Coloque um recipiente de aromaterapia (4) no topo da saída de névoa (10). O cheiro agradável será distribuído junto com a névoa.
- ATENÇÃO: SOMENTE óleos essenciais solúveis em água são adequados para este dispositivo.
3. NÃO pingue óleos essenciais diretamente na água.

## OPERAÇÃO

1. Depois de conectar o dispositivo emite um sinal sonoro e o dispositivo entra no estado de espera.
2. Para ligar o aparelho, pressione uma vez o botão de ligar (7A). O volume de névoa padrão é definido em nível baixo, você verá no visor (8) duas linhas (Figura 9B). Pressione este botão (7A) repetidamente para alterar os modos para nível médio de saída de névoa (Figura 9C), alto volume de névoa (Figura 9D), modo de suspensão (Figura 9D) ou desligar o dispositivo (Figura 9E) por sua vez.

## PROTEÇÃO CONTRA FALTA DE ÁGUA

Quando o dispositivo está funcionando, a mola embutida detecta a falta de água. Em seguida, o dispositivo para de funcionar, o display (8) mostrará "EE" e piscará por 5 segundos e você ouvirá 3 sinais sonoros. Depois disso, o dispositivo entra no estado de espera. Depois de adicionar a água, pressione o botão de ligar (7A), então o dispositivo pode funcionar normalmente.

## CONFIGURAÇÃO DO MODO DORMIR

O aparelho funcionará em saída média de névoa por 5 minutos e pausará a saída de névoa por 5 minutos, depois funcionará 5 minutos e pausará por 10 minutos; em seguida, funcionará por 5 minutos e fará uma pausa de 15 minutos; a operação adicional continuará nesse ciclo. No modo de hibernação, o visor (8) fica esmaecido – observe a Figura 9E.

## CONFIGURAÇÃO DO TIMER

A configuração padrão é zero horas. Durante a operação, pressione o botão do timer (7B) repetidamente para escolher um dos períodos de operação do timer: 1 hora ou 2 horas ou 4 horas ou 6 horas ou pressione novamente para desligar a função do timer – veja a Figura 4. A função do timer interrompe a operação do dispositivo após o período fixo passado.

## CONFIGURAÇÃO DO NÍVEL DE UMIDADE

Durante a operação do dispositivo, pressione o botão de umidade contínua (7C), você pode definir o valor de umidade na faixa de 40-90% de umidade relativa, cada pressionamento repetido aumentará em 5% do valor. Quando o nível de umidade é definido, o dispositivo está constantemente umidificando até o nível de umidificação desejado. Depois de atingir o nível de umidificação desejado, o dispositivo entra no estado de espera e para de pulverizar a névoa até que o nível de umidade ambiente seja reduzido a 5% abaixo do nível de umidificação desejado. Nesse caso, o dispositivo começa a pulverizar a névoa novamente automaticamente. Observe a Figura 5.

## LIMPEZA E MANUTENÇÃO

1. Desligue o dispositivo antes de limpá-lo. Se sobrar água no reservatório de água (6), ela deve ser despejada inclinando o reservatório de água (6).

ATENÇÃO: Uma questão importante é a posição correta do tanque de água (6) enquanto a água é despejada. A posição correta é alcançada quando a saída de ar (9) permanece seca e o fluxo de água é conduzido pela borda oposta do reservatório de água (6).

2. Limpe o reservatório de água a cada 3 dias.

3. Depois que o dispositivo é usado por um período de tempo, é fácil aparecer incrustação e formar o fenômeno de "pó branco", ele é anexado à superfície de um transdutor de atomização (12), afetando a eficiência da umidificação. É necessário limpar os componentes principais regularmente. Para limpar os componentes principais, observe a Figura 6.

\* Abra a tampa do reservatório de água (2), desmonte o duto de ar nebulizado (5) girando no sentido anti-horário - veja a Figura 6A.

\* Limpe o interior do reservatório de água (6) e o duto de ar nebulizado (5) com um pano macio – veja a Figura 6B.

\* Adicione a quantidade adequada de água, limpe o dispositivo com a escova de limpeza (14) - veja a Figura 6C.

\* Limpe um transdutor atomizador (12) com um cotonete embebido em solução de ácido cítrico.

4. Não use utensílios duros e pontiagudos para tocar no atomizador.

5. Não use detergente para limpar, a água do clã é melhor. Em seguida, seque os elementos com um pano macio, instale o duto de ar nebulizado (5) girando no sentido horário.

6. A superfície externa da caixa do dispositivo pode ser limpa com um pano úmido e depois seca com um pano limpo. Não use solventes químicos, gasolina, querosene ou pó de polimento para limpar a superfície.

7. Não deixe a água entrar na caixa durante a limpeza para evitar o mau funcionamento dos componentes internos.

8. Limpe o dispositivo antes de cada uso seguinte.

#### ARMAZENAR

1. Para armazenamento sazonal, o dispositivo deve estar vazio, limpo e seco.
2. Armazenar em bolsa para evitar poeira, em local seco.

#### SOLUÇÃO DE PROBLEMAS

Se o dispositivo não funcionar corretamente, verifique os possíveis motivos a seguir antes de enviar para o serviço pós-venda para resolver os problemas por conta própria.

PROBLEMA I.: o display (8) não está aceso.

POSSÍVEL MOTIVO DO PROBLEMA I: a alimentação não está conectada corretamente.

SOLUÇÃO DO PROBLEMA I: conecte o cabo de alimentação e ligue a energia.

PROBLEMA II.: há água no tanque, a luz vermelha pisca quando o dispositivo é ligado

POSSÍVEL MOTIVO DO PROBLEMA II: há muita escala em um transdutor de atomização (12)

SOLUÇÃO DO PROBLEMA II: limpar a incrustação acumulada no transdutor atomizador (12)

PROBLEMA III.: quantidade de atomização é muito pequena

POSSÍVEL RAZÃO DO PROBLEMA III:

IIIa. Há muitas escalas de branco no transdutor de atomização (12)

IIIb. A água está muito suja ou armazenada por muito tempo

IIIc. O volume da névoa foi configurado em nível baixo

SOLUÇÃO DO PROBLEMA III:

IIIa. Limpe o calcário branco em um transdutor atomizador (12)

IIIb. Mude para água limpa

IIIc. Configure o nível de névoa médio ou alto

PROBLEMA IV.: Ruído anormal

POSSÍVEL RAZÃO DO PROBLEMA IV:

IVa. Há muito menos água no reservatório de água

IVb. Ele colide com a superfície da mesa para produzir nervosismo

SOLUÇÃO DO PROBLEMA IV:

IVa. Adicione água

IVb. Coloque o dispositivo em uma superfície firme e lisa

PROBLEMA V: Cheiro peculiar de névoa

POSSÍVEL MOTIVO DO PROBLEMA II: A água da caixa d'água não está limpa ou foi guardada por muito tempo

SOLUÇÃO DO PROBLEMA II: Limpe o reservatório de água, seque-o, em seguida adicione água limpa

#### DATA TÉCNICA:

Potência: 23W

Fonte de alimentação: 220-240V ~ 50-60Hz

Capacidade do tanque de água: 4 litros



Proteção do meio ambiente. Rogamos, os embalagens de cartão destinem-se para papéis velhos. Os sacos de polietileno (PE) devem-se colocar em contenedores para material plástico. O dispositivo usado deve-se levar a um ponto de armazenamento adequado porque os componentes perigosos que ficam dentro do dispositivo podem ser perigosos para o meio ambiente. O dispositivo elétrico deve-se entregar de modo que se reduza a sua nova utilização e uso. Se no dispositivo há pilhas, devem-se tirar e levar a um ponto de armazenamento em separado. Não colocar o dispositivo em contenedores para resíduos municipais!!

## LIETUVIŲ

### BENDROSIOS SAUGOS SALYGOS

#### SVARBIOS SAUGOS INSTRUKCIJOS ATIDŽIAI SKAITYKITE IR SAUGOKITE ATEITIES

Garantijos sąlygos skiriasi, jei prietaisas naudojamas komerciniams tikslams.

1. Prieš naudodami gaminį, atidžiai perskaitykite ir visada laikykitės šių nurodymų.

Gamintojas neatsako už žalą, padarytą naudojant prietaisą priešingai jo paskirčiai ar netinkamai naudojant.

2. Prietaisas skirtas naudoti tik namuose. Nenaudokite kitiems tikslams, kurie nėra skirti pagal paskirtį.

3. Prietaisą reikia prijungti tik prie 220–240 V ~ 50/60 Hz lizdo.

4. Ypatingai atsargiai naudokite prietaisą, kai vaikai yra šalia. Neleiskite vaikams žaisti su prietaisu, neleiskite juo naudoti vaikams ar žmonėms, kurie nėra susipažinę su prietaisu.

5. ĮSPEJIMAS: Šią įrangą gali naudoti vyresni nei 8 metų vaikai ir žmonės, turintys ribotą fizinį, jutiminių ar protinių gebėjimų, arba žmonės, neturintys patirties ar žinių apie įrangą, jei tai daroma prižiūrint atsakingam asmeniui. jų saugumui arba jiems buvo suteikta

informacija apie saugų prietaiso naudojimą ir jie žino apie jo naudojimo pavojus. Vaikai neturėtų žaisti su įranga. Prietaisą neturėtų valyti ir prižiūrėti vaikai, nebent jie yra vyresni nei 8 metų ir šie veiksmai atliekami prižiūrint.

6. Po naudojimo visada ištraukite kištuką iš maitinimo lizdo, laikydami lizdą ranka. NETraukite maitinimo laido.

7. Nemerkite laido, kištuko, pagrindo ir viso prietaiso į vandenį ar kitus skysčius. Nelaikykite prietaiso atmosferos sąlygomis (lietus, saulė ir kt.) Ir nenaudokite jo esant aukštai drėgmei (vonios kambariuose, drėgnuose mobiliuose namuose).

8. Periodiškai patikrinkite maitinimo laido būklę. Jei maitinimo laidas pažeistas, jį turėtų pakeisti remonto centro specialistas, kad išvengtumėte pavojaus.

9. Nenaudokite prietaiso su pažeistu maitinimo laidu, jis buvo numestas ar sugadintas kitu būdu arba jei jis neveikia tinkamai. Pataisykite prietaisą patys, nes yra elektros smūgio pavojus. Nuvežkite sugadintą prietaisą į atitinkamą techninės priežiūros centrą, kad jis patikrintų ar pataisytų. Visus remonto darbus gali atlikti tik įgalioti techninės priežiūros centrai. Neteisingai atliktas remontas gali sukelti rimtą pavojų vartotojui.

10. Padėkite prietaisą ant vėsaus, stabilaus paviršiaus, atokiau nuo karštų virtuvės prietaisų, tokių kaip elektrinė viryklė, dujų degiklis ir kt.

11. Nenaudokite prietaiso šalia degių medžiagų.

12. Maitinimo laidas negali kaboti virš stalo krašto ir neliesi karštų paviršių.

13. Niekada nepalikite gaminio prijungto prie maitinimo šaltinio be priežiūros. Net kai naudojimas nutrūksta trumpam, išjunkite jį iš tinklo, atjunkite maitinimą.

14. Norint suteikti papildomą apsaugą, patartina į elektros grandinę įmontuoti likutinės srovės įtaisą (RCD), kurio vardinė liekamoji srovė neviršija 30 mA. Paprašykite to elektriko.

15. Nenaudokite prietaiso šalia vandens, pvz. ... duše, vonioje arba virš praustuvo su vandeniu.

16. Kai prietaisą naudojate vonioje, po naudojimo ištraukite kištuką iš lizdo, nes vandens artumas kelia pavojų net ir tada, kai prietaisas yra išjungtas.

17. Neleiskite prietaisui sušlapti. Jei prietaisas patenka į vandenį, nedelsdami ištraukite kištuką iš sieninio lizdo. Nekiškite rankų į vandenį, kai mašina prijungta prie tinklo. Prieš pakartotinai jį naudojant, kvalifikuotas elektrikas turi jį patikrinti.

18. Nelaikykite prietaiso šlapiomis rankomis.

19. Po kiekvieno naudojimo visada išjunkite prietaisą. Prieš atjungdami, išjunkite maitinimą.

20. Niekada neįjunkite prietaiso be vandens talpykloje.

21. Naudokite tik švarų, vėsų vandenį.

22. Nepilkite vandens į rezervuarą virš didžiausio lygio.

23. Nemerkite drėkintuvo pagrindo. Jei ant prietaiso išsilieja vanduo, nedelsdami atjunkite jį iš elektros tinklo ir leiskite jam nudžiūti.

24. Nepilkite jokių chemikalų į vandens baseiną, vandens rezervuarą ar rūko išleidimo angą. Į vandenį nedėkite druskų, nukalkinimo tablečių, miltelių ar valymo medžiagų.

25. Rūko išleidimo anga ir vandens rezervuaro dangtis visada turėtų būti sandariai uždaryti.

26. Įsitikinkite, kad drėkintuvo rūko išleidimo anga nėra nukreipta tiesiai į sienas, baldus, elektros lizdus, elektrinius ir elektroninius prietaisus ar vaikus. Pernelyg didelė drėgmė kambaryje gali kauptis drėgmei, sukelti bakterijų ir grybelių augimą bei pakenkti sienoms, baldams ir tapetams.

27. Neužblokuokite prietaiso ventilacijos. Laikytės mažiausiai 20 cm atstumo nuo prietaiso. Neužblokuokite drėkintuvo vandens rūko išleidimo angos.

28. Nenaudokite prietaiso, jei yra kondensato pavojus. Drėgmė gali susidaryti prietaiso viduje ir išorėje, kai:

- prietaisas perkeliamas iš šaltos į šiltą vietą,
- šildymo sistema ką tik buvo įjungta,
- prietaisas naudojamas patalpoje, kurioje yra daug drėgmės,
- prietaisą aušina oro kondicionavimo sistema.

Kai įrenginyje kondensuojasi drėgmė, jis gali netinkamai veikti arba gali būti pažeistas kraštutiniais atvejais. Tokiu atveju nenaudokite prietaiso ir leiskite jam kelias valandas

išdžiūti.

29. Darbo metu negalima pakreipti, apversti ir nebandyti papildyti ar pilti vandens iš mašinos.
30. Neišimkite bako nuo prietaiso pagrindo dirbdami drėkintuvu.
31. Užpildytas vandens rezervuaras yra sunkus. Nešiodami jį taip pat laikykite po juo.
32. Nenaudokite oro drėkintuvo, jei pastebėjote vandens nutekėjimą iš po prietaiso.
33. Nepalikite vandens drėkintuve, kai jis nenaudojamas.
34. Vykdykite šioje instrukcijoje pateiktas valymo instrukcijas.
35. Niekada neleiskite drėkintuvo pagrindo rezervuare likti nuosėdų, drėgmės ar vandens (tai gali užteršti ar net sugadinti ultragarso purkštuvą).
36. Ilgai veikiant prietaisui, oro drėkintuvo skleidžiamas vandens rūkas gali nukristi ant grindų ir sukelti drėgmę.
37. NeKelkite vandens bako už vandens rūko išleidimo angos.
38. Draudžiama į gaminį arba į korpuso tarpus įterpti metalinių drožlių, vielos, adatų ir kitų pašalinių daiktų, kitaip tai gali sukelti elektros šoką ar gedimus.
39. Turėkite omenyje, kad didelis drėgmės lygis gali skatinti biologinių organizmų ir grybų augimą aplinkoje.
40. Per didelė drėgmė kambaryje gali kauptis drėgmei ir pakenkti sienoms, baldams, tapetams ir kitiems elektriniams prietaisams kaip televizoriui. Nenukreipkite rūko išleidimo angos arti tokių objektų.
41. Neleiskite, kad aplink drėkintuvą būtų drėgna ar drėgna. Jei atsiranda drėgmė, atsisakykite rūko susidarymo. Jei negalima sumažinti rūko talpos, naudokite drėkintuvą su pertraukomis. Neleiskite, kad absorbuojančios medžiagos, tokios kaip kiliminė danga, užuolaidos, užuolaidos ar staltiesės, taptų drėgni.
42. Neuždenkite prietaiso. Nedėkite jokių daiktų ant prietaiso viršaus.
43. Nenaudokite prietaiso kartu su programuotoju, laikmačiu ar kitu įrenginiu, kuris automatiškai įjungia drėkintuvą.

[Spėjimas: vandens bakelyje galintys būti mikroorganizmai bus išpūsti į orą ir sukels labai rimtą pavojų sveikatai. Norėdami to išvengti, reguliariai keiskite vandenį ir valykite baką kas tris dienas.

[Spėjimas: vandens baką reikia ištuštinti ir papildyti kas tris dienas. Prieš pildydami, nuplaukite švriu vandeniu arba, jei to reikalauja gamintojas, naudokite turimas plovimo priemones. Pašalinkite nuosėdas, nuosėdas ar plėvelę, susidariusią ant rezervuaro sienelių. Po valymo nusauskite visus prieinamus paviršius.

Ultragarso drėkintuvai naudoja ultragarso aukšto dažnio virpesių principą, vanduo purškiamas į 1-5 mikronų itin smulkias daleles, tada vandens rūkas išsklaidomas į orą per pneumatinį įrenginį, kad būtų pasiektas tikslas tolygiai drėkinti orą, gaivinti orą, drėkina odą ir gerina sveikatą.

Prieš pirmąjį naudojimą

Kai prietaisas įjungtas, neliaskite purškimo keitiklio (12) rankomis, kad nesusižeistumėte.

Prietaiso aprašymas: Ultragarso drėkintuvai

1. Vandens pildymo dangtis

3. Purškimo antgalis

5. Rūko oro kanalas

7A. Įjungimo / Miglos reguliavimas / Miego režimas / Išjungimo mygtukas

7B. Laikmačio mygtukas

8. Ekranas

10. Rūko išleidimo anga

12. Purškiamasis keitiklis

14. Valymo šepetys

2. Vandens bako dangtis

4. Aromaterapinis indelis

6. Vandens bakas

7C. Nuolatinio drėgnumo mygtukas

9. Oro įleidimo anga

11. Oro išleidimo anga

13. Aromaterapinė medvilnės kempinė

## VANDENS UŽPILDYMAS – žiūrėkite 7 pav

1. Padėkite įrenginį ant stabilaus, lygaus paviršiaus. Nepamirškite įpilti vandens į išjungtą įrenginį.
2. Atidarykite vandens pildymo dangtelį (2) kartu su vandens pildymo dangteliu (1).
3. Nepamirškite, kad prieš pilant vandenį, rūko oro kanalas (5) turi būti įrengtas vandens bako viduje.
4. Pildami vandenį, neleiskite vandens į purškimo antgalį (3) ir neleiskite vandens į rūko išleidimo angą (10), taip pat neleiskite vandens į oro išleidimo angą (9).
5. Atkreipkite dėmesį, kad neviršytumėte MAX (maksimalaus) vandens lygio, pažymėto ant oro išleidimo angos (9) – žr. 2 pav. Naudokite švarų vandenį iš čiaupo.
6. Uždarykite vandens bako dangtį (2) kartu su vandens pildymo dangteliu (1). Įjunkite įrenginį.
7. Kai įrenginio neplanuojama naudoti, iš vandens bako (6) reikia išpilti vandenį.
8. Norėdami sumažinti kalkių nuosėdų nuosėdas iš vandens - baltų miltelių, galite pasirinktinai įsigyti vandens filtrą šiam įrenginiui, numeris AD7972.1 iš šio įrenginio pardavėjo.

## AROMATERAPIJOS FUNKCIJA

1. Nuimkite vandens bako dangtelį (1) kartu su vandens pildymo dangteliu (1).
  2. Ant aromaterapinės medvilnės kempinės (13) užpilkite 2–3 lašus eterinio aliejaus ir įdėkite į aromaterapijos indą (4). Pažiūrėkite į 4 pav. Ant rūko išleidimo angos (10) viršaus uždėkite aromaterapijos talpyklą (4). Gražioji stinta bus išdalinta kartu su rūku.
- DĖMESIO: Šiam įrenginiui tinka TIK vandenyje tirpūs eteriniai aliejai.
3. NEGALIMA lašinti eterinių aliejų tiesiai į vandenį.

## OPERACIJA

1. Įjungus prietaisą pasigirsta garso signalas ir įrenginys persijungia į budėjimo būseną.
2. Norėdami įjungti įrenginį, vieną kartą paspauskite įjungimo mygtuką (7A). Numatytasis rūko kiekis nustatytas žemai, ekrane (8) matysite dvi eilutes (9B pav.). Paspauskite šį mygtuką (7A) pakartotinai, kad pakeistumėte režimus į vidutinio rūko išvesties lygį (9C pav.), didelį rūko garsumą (9D pav.), miego režimą (9D pav.) arba išjunkite įrenginį (9E pav.).

## APSAUGA NUO VANDENS TRUKŠKUMO

Kai prietaisas veikia, įmontuota spyruoklė nustato vandens trūkumą. Tada prietaisas nustoja veikti, ekrane (8) bus rodoma „EE“ ir mirksės 5 sekundes ir išgirsite 3 garso signalus. Po to įrenginys pereina į budėjimo būseną. Įpylę vandens, paspauskite įjungimo mygtuką (7A), tada įrenginys galės normaliai veikti.

## MIEGO REŽIMO NUSTATYMAS

Įrenginys veiks 5 minutes vidutinio rūko išėjimu ir pristabdys rūko išsiskyrimą 5 minutes, tada veiks 5 minutes ir pristabdys 10 minučių; po to jis veiks 5 minutes ir pristabdys 15 minučių, tolesnis darbas bus tęsiamas tokiu ciklu. Miego režimu ekranas (8) yra pritemdytas – žiūrėkite 9E pav.

## LAIKMAČIO NUSTATYMAS

Numatytasis nustatymas yra nulis valandų. Veikimo metu kelis kartus paspauskite laikmačio mygtuką (7B), kad pasirinktumėte vieną iš laikmačio veikimo periodų: 1 valanda arba 2 valandos arba 4 valandos arba 6 valandos arba paspauskite dar kartą, kad išjungtumėte laikmačio funkciją – žiūrėkite 4 pav. Laikmačio funkcija sustabdo veikimą, įrenginio, praėjus nustatytam laikotarpiui.

## DRĖGMĖS LYGIO NUSTATYMAS

Prietaiso veikimo metu paspauskite nuolatinio drėgnumo mygtuką (7C), galite nustatyti drėgmės reikšmę 40-90% santykinės drėgmės diapazone, kiekvienas pakartotinis paspaudimas padidės 5% reikšme. Kai nustatomas drėgmės lygis, prietaisas nuolat drėkina iki pageidaujamo drėkinimo lygio. Pasiiekus pageidaujama drėkinimo lygį, prietaisas pereina į parengties būseną ir nustoja purkšti rūką, kol aplinkos drėgmės lygis sumažėja iki 5 % žemiau pageidaujamo drėkinimo lygio. Tokiu atveju prietaisas vėl automatiškai pradeda purkšti rūką. Pažvelkite į 5 pav.

## VALYMAS IR PRIEŽIŪRA

1. Prieš valydami išjunkite prietaisą. Jei vandens bakelyje (6) liko šiek tiek vandens, jį reikia išpilti pakreipus vandens baką (6).
- DĖMESIO: Svarbi problema yra teisinga vandens bako (6) padėtis, kol vanduo išpilamas. Tinkama padėtis pasiekama, kai oro išleidimo anga (9) lieka sausa, o vandens srovė veda priešingas vandens bako (6) kraštas.
2. Kas 3 dienas valykite vandens baką.
  3. Prietaisą naudojant tam tikrą laiką, lengvai atsiranda apnašų ir susidaro „baltų miltelių“ reiškiny, jis tvirtinamas prie purškiančiojo keitiklio (12) paviršiaus, turintis įtakos drėkinimo efektyvumui. Būtina reguliariai valyti pagrindinius komponentus. Norėdami išvalyti pagrindinius komponentus, žiūrėkite 6 pav.
- \* Atidarykite vandens bako dangtelį (2), išardykite rūko oro kanalą (5) sukdami prieš laikrodžio rodyklę – žiūrėkite 6A pav.
  - \* Vandens bako (6) vidų ir rūko oro kanalą (5) nuvalykite minkšta šluoste – žiūrėkite 6B pav.
  - \* Įpilkite reikiamą kiekį vandens, išvalykite prietaisą valymo šepetėliu (14) – žiūrėkite 6C pav.
  - \* Nuvalykite purškimo keitiklį (12) medvilniniu tamponu, įsmeigtu citrinės rūgšties tirpalu.
4. Purkštuvo nelieskite aštriais kietais indais.
  5. Valymui nenaudokite ploviklio, geriau klanu vanduo. Tada nusauskite elementus minkšta šluoste, sukite pagal laikrodžio rodyklę sukite

oro rūko ortakļ (5).

6. Išorināj ierenginio korpuso paviršiu galima nuvalyti drėgna šluoste, o po to sausai nušluostyti švaria šluoste. Paviršiui valyti nenaudokite cheminių tirpiklių, benzino, žibalo ar poliravimo miltelių.

7. Valydamis neleiskite vandeniui patekti į korpusą, kad išvengtumėte vidinių komponentų veikimo sutrikimų.

8. Išvalykite prietaisą prieš kiekvieną kitą naudojimą.

## SANDĒLIAVIMAS

1. Sezoniniam saugojimui prietaisas turi būtī tuščias, išvalytas ir sausas.

2. Laikyti maišelyje, kad nesusidarytū dulkiu , sausoje vietoje.

## PROBLEMŪ SPRENDIMAS

Jei ierenginis neveikia tinkamai, patikrinkite toliau nurodytas galimas priežastis, prieš siųsdami į aptarnavimo po pardavimo tarnybā, kad patys išspręstumėte problemas.

PROBLEMA I.: ekranas (8) neįjungtas.

GALIMA I PROBLEMOS PRIEŽASTIS: maitinimas netinkamai įjungtas.

I PROBLEMOS SPRENDIMAS: prijunkite maitinimo laidā ir įjunkite maitinimą.

PROBLEMA II.: bakelyje yra vandens, įjungus ierenginį mirksi raudona lemputė

GALIMA II PROBLEMOS PRIEŽASTIS: purškiamajame keitiklyje yra per daug skalės (12)

II PROBLEMOS SPRENDIMAS: nuvalykite nuosėdas, susikaupusias ant purškimo keitiklio (12)

III PROBLEMA: per mažas purškimo kiekis

GALIMA III PROBLEMOS PRIEŽASTIS:

IIIa. Ant purškimo keitiklio yra per daug baltos spalvos skalės (12)

IIIb . Vanduo per daug nešvarus arba per ilgai laikomas

IIIc. Rūko tūris buvo nustatytas žemai

III PROBLEMOS SPRENDIMAS:

IIIa. nuvalykite baltas kalkių nuosėdas ant purškimo keitiklio (12)

IIIb . Pakeiskite į švaru vandenį

IIIc. Nustatykite vidutinį arba aukštā rūko lygį

IV PROBLEMA: Nenormalus triukšmas

GALIMA IV PROBLEMOS PRIEŽASTIS:

IVa . Vandens bakelyje yra per mažiau vandens

IVb . Jis susiduria su stalo paviršiumi ir sukelia virpesius

IV PROBLEMOS SPRENDIMAS:

IVa . Įpilkite vandens

IVb . Padėkite prietaisā ant tvirto, lygaus paviršiaus

V PROBLEMA: savotiškas rūko kvapas

GALIMA II PROBLEMOS PRIEŽASTIS: vanduo vandens rezervuare nėra švarus arba jis buvo laikomas ilgā laikā

II PROBLEMOS SPRENDIMAS: Išvalykite vandens bakā, išdžiovinkite, tada įpilkite švaraus vandens

## TECHNINĒ DATA:

Galia: 23W

Maitinimas: 220-240V ~50-60Hz

Vandens bako talpa : 4 litrai



Rūpinantis aplinka. Kartono pakuotes atiduoti į makulatūrā. Polietileno (PE) maišelius mesti į plastikui skirtā konteinerį. Susidėvėjusį prietaisā atiduoti į atitinkamā atliekų surinkimo vietā, nes prietaise esančios pavojingos medžiagos gali kelti grėsmę aplinkai. Elektrinį prietaisā atiduoti tokį, kad nebūtū galima jo pakartotinai naudoti ir panaudoti. Jeigu prietaise yra baterijos, būtina jas išimti ir atskirai atiduoti į atliekų surinkimo vietā.

## LATVIEŠU

### VISPĀRĪGI DROŠĪBAS NOSACĪJUMI

### SVARĪGAS DROŠĪBAS INSTRUKCIJAS UZLASIET RŪPIGI UN Ietaupiet nākotnei

Garantijas nosacĪjumi ir atšķirīgi, ja ierĪci izmanto komerciāliem mērķiem.

1. Pirms produkta lietošanaš, lūdzu, uzmanīgi izlasiet un vienmēr ievērojiet šādus norādījumus. Ražotājs nav atbildīgs par zaudējumiem, kas radušies, lietojot ierĪci pretēji paredzētajam mērķim vai nepareizai darbībai.

2. IerĪce paredzēta tikai lietošanai mājās. Neļietojiet citiem mērķiem, kas nav paredzēti tam.

3. IerĪci drīkst pievienot tikai 220-240 V ~ 50/60 Hz kontaktligzdai.

4. Īpaši piesardzīgi lietojiet ierĪci, kad tuvumā atrodas bērni. Neļaujiet bērniem spēlēt ar



ierīci, nelaujiet bērniem vai cilvēkiem, kas ierīci nepazīst, to izmantot.

5. BRĪDĪNAJUMS: So aprīkojumu var izmantot bērni, kas vecāki par 8 gadiem, un cilvēki ar ierobežotām fiziskām, maņu vai garīgām spējām vai cilvēki, kuriem nav pieredzes vai zināšanas par aprīkojumu, ja tas tiek darīts atbildīgas personas uzraudzībā. Viņu drošībai vai viņiem ir sniegta informācija par ierīces drošu lietošanu un viņi apzinās tās lietošanas bīstamību. Bērniem nevajadzētu spēlēt ar aprīkojumu. Ierīces tīrīšanu un apkopi nedrīkst veikt bērni, izņemot gadījumus, kad viņi ir vecāki par 8 gadiem un šīs darbības veic uzraudzībā.

6. Pēc lietošanas vienmēr atvienojiet kontaktdakšu no kontaktligzdas, turot kontaktligzdu ar roku. Nevelciet strāvas vadu.

7. Negremdējiet kabeli, kontaktdakšu, pamatni un visu ierīci ūdenī vai citā šķidrumā.

Nepakļaujiet ierīci atmosfēras apstākļiem (lietus, saule utt.) Un nelietojiet to augsta mitruma apstākļos (vannas istabas, mitras pārvietojamās mājas).

8. Periodiski pārbaudiet strāvas vada stāvokli. Ja strāvas vads ir bojāts, tas jānomaina speciālistam remonta centrā, lai izvairītos no briesmām.

9. Nelietojiet ierīci ar bojātu strāvas vadu, ja tas ir nomests vai bojāts citā veidā vai ja tas nedarbojas pareizi. Neremontējiet ierīci pats, jo pastāv elektriskās strāvas trieciena risks. Nogādājiet bojāto ierīci attiecīgajā servisa centrā pārbaudei vai labošanai. Visus remontdarbus drīkst veikt tikai pilnvaroti servisa punkti. Nepareizi veikts remonts var radīt nopietnas briesmas lietotājam.

10. Novietojiet ierīci uz vēsas, stabilas virsmas, prom no karstām virtuves ierīcēm, piemēram, elektriskās plīts, gāzes degļa utt.

11. Nelietojiet ierīci viegli uzliesmojošu materiālu tuvumā.

12. Strāvas vads nedrīkst pakārt virs galda malas vai pieskarties karstām virsmām.

13. Nekad neatstājiet produktu pieslēgtu strāvas avotam bez uzraudzības. Pat tad, ja lietošana uz īsu laiku tiek pārtraukta, izslēdziet to no tīkla, atvienojiet strāvu.

14. Lai nodrošinātu papildu aizsardzību, elektriskajā ķēdē ieteicams uzstādīt atlikušās strāvas ierīci (RCD) ar nominālo atlikušo strāvu, kas nepārsniedz 30 mA. Jautājiet to elektriķim.

 15. Nelietojiet ierīci ūdens tuvumā, piem. ... dušā, vannā vai virs izlietnes ar ūdeni.

16. Ja ierīci lieto vannas istabā, pēc lietošanas noņemiet kontaktdakšu no kontaktligzdas, jo ūdens tuvums ir bīstams pat tad, ja ierīce ir izslēgta.

17. Nelaujiet ierīcei saslapināties. Gadījumā, ja ierīce nokrīt ūdenī, nekavējoties noņemiet kontaktdakšu no sienas kontaktligzdas. Nelieciet rokas ūdenī, kad iekārta ir pievienota tīklam. Pirms atkārtotas izmantošanas tas jāpārbauda kvalificētam elektriķim.

18. Neturiet ierīci ar mitrām rokām.

19. Vienmēr izslēdziet ierīci pēc katras lietošanas reizes. Pirms atvienošanas, lūdzu, izslēdziet strāvu.

20. Nekad neieslēdziet ierīci, ja ūdens tvertnē nav ūdens.

21. Izmantojiet tikai tīru, vēsu ūdeni.

22. Neliet ūdeni tvertnē virs maksimālā līmeņa.

23. Neiegremdējiet mitrinātāja pamatni. Ja uz ierīces izlijis ūdens, nekavējoties atvienojiet to no elektrotīkla un ļaujiet tai nožūt.

24. Nepievienojiet ķīmiskas vielas ūdens baseinā, ūdens tvertnē vai miglas izvadā.

Nepievienojiet ūdeņim sāļus, atkaļķošanas tabletes, pulverus vai tīrīšanas vielas.

25. Miglas iepļūdes un ūdens tvertnes vākam vienmēr jābūt cieši noslēgtiem.

26. Pārliecinieties, vai gaisa mitrinātāja miglas izeja nav vērsta tieši uz sienām, mēbelēm, elektrības kontaktligzdām, elektriskām un elektroniskām ierīcēm vai bērniem. Pārāk augsts gaisa mitrums telpā var izraisīt mitruma uzkrāšanos, izraisot baktēriju un sēnīšu augšanu, kā arī sienu, mēbeļu un tapetes bojājumus.

27. Nebloķējiet ierīces ventilāciju. Turieties vismaz 20 cm attālumā no ierīces. Nebloķējiet mitrinātāja ūdens miglas izeju.

28. Nelietojiet ierīci, ja pastāv kondensāta risks. Mitrums var veidoties ierīces iekšpusē un ārpusē, ja:

- ierīci pārvieto no aukstas uz siltu vietu,

- tikko ieslēgta apkures sistēma,
- ierīci izmanto telpā ar augstu mitruma līmeni,
- ierīci atdzesē gaisa kondicionēšanas dzesēšanas sistēma.

Ja ierīcē rodas mitruma kondensācija, tā var nedarboties pareizi vai ārkārtējos gadījumos var tikt bojāta. Šajā gadījumā nelietojiet ierīci un ļaujiet tai dažas stundas nožūt.

29. Darbības laikā nelieciet, neapgriezieties un nemēģiniet papildināt vai ieliet ūdeni no iekārtas.

30. Mitrinātāja darbības laikā nenoņemiet tvertni no ierīces pamatnes.

31. Piepildītā ūdens tvertne ir smaģa. Pārnēsājot, turiet to arī zem.

32. Nelietojiet mitrinātāju, ja atrodāt ūdens noplūdi no ierīces zem.

33. Neatstājiet ūdeni mitrinātājā, kad tas netiek izmantots.

34. Izpildiet tīrīšanas instrukcijas šajā rokasgrāmatā.

35. Nekad nepieļaujiet, lai mitrinātāja pamatnes tvertnē paliktu nosēdumi, mitrums vai ūdens (tas var izraisīt ultraskaņas izsmidzinātāja piesārņojumu vai pat bojājumus).

36. Ilgstoši darbojoties ierīcei, mitrinātāja emitētā ūdens migla var nokrist uz grīdas un izraisīt mitrumu.

37. Neceliet ūdens tvertni aiz ūdens miglas izejas.

38. Produktā vai korpusa spraugās ir aizliegts ievietot metāla skaidas, stieples, adatas un citus svešķermeņus, pretējā gadījumā tas var izraisīt elektrošoku vai nepareizu darbību.

39. Jāapziņās, ka augsts mitruma līmenis var veicināt bioloģisko organismu un sēņu augšanu vidē.

40. Pārāk daudz mitruma telpā var izraisīt mitruma uzkrāšanos, kas var sabojāt sienas, mēbeles, tapetes un citas elektriskās ierīces kā televizoru. Nenovietojiet miglas izvadi tuvu šādiem priekšmetiem.

41. Neļaujiet mitru vai mitru zonu ap mitrinātāju. Ja rodas mitrums, samaziniet miglas veidošanos. Ja miglas jaudu nevar samazināt, periodiski izmantojiet mitrinātāju. Neļaujiet mitriem absorbējošiem materiāliem, piemēram, paklājiem, aizkariem, aizkariem vai galdautiem.

42. Neaizsedziet ierīci. Nenovietojiet ierīces augšpusē nekādus priekšmetus.

43. Nelietojiet ierīci kopā ar programmētāju, taimeru vai citu ierīci, kas automātiski ieslēdz mitrinātāju.

**Brīdinājums:** Mikroorganismi, kas var atrasties ūdens tvertnē, tiks izpūsti gaisā, radot ļoti nopietnus draudus veselībai. Lai to novērstu, regulāri mainiet ūdeni un iztīriet tvertni ik pēc trim dienām.

**Brīdinājums:** ūdens tvertne ir jāiztukšo un jāuzpilda ik pēc trim dienām. Pirms atkārtotas uzpildīšanas notīriet to ar svaigu ūdeni vai izmantojot pieejamos mazgāšanas līdzekļus, ja to pieprasa ražotājs. Noņemiet nogulsnes, nogulsnes vai plēvi, kas izveidojusies uz tvertnes sienām. Pēc tīrīšanas noslaukiet visas pieejamās virsmas.

Ultraskaņas mitrinātājs izmanto ultraskaņas augstfrekvences svārstību principu, ūdens tiek izsmidzināts 1-5 mikronu īpaši smalkās daļiņās, pēc tam ūdens migla caur pneimatisko ierīci tiek izkliedēta gaisā, lai sasniegtu mērķi vienmērīgi mitrināt gaisu, atsvaidzināt gaisu, mitrina ādu un uzlabo veselību.

Pirms pirmās lietošanas

Kad ierīce ir ieslēgta, lūdzu, nepieskarieties izsmidzināšanas devējam (12) ar roku, lai nesavainotos.

Ierīces apraksts: Ultraskaņas mitrinātājs

1. Ūdens uzpildes vāks

3. Smidzināšanas uzgalis

5. Miglas gaisa vads

7A. Ieslēgt / Miglas regulēšana / Miega režīms / Izslēgšanas poga

7B. Taimera poga

8. Displejs

2. Ūdens tvertnes vāks

4. Aromterapijas trauks

6. Ūdens tvertne

7C. Nepārtraukta mitruma poga

9. Gaisa ieplūde

10. Miglas izvads
12. Izsmidzināšanas devējs
14. Tīrīšanas birste

11. Gaisa izvads
13. Aromterapijas kokvilnas sūklis

## ŪDENS PILDĪŠANA – skatiet 7. attēlu

1. Novietojiet ierīci uz stabilas, līdzenas virsmas. Atcerieties ieliet ūdeni atvienotā ierīcē.
2. Atveriet ūdens uzpildes vāku (2) kopā ar ūdens uzpildes vāku (1).
3. Atcerieties, ka miglas gaisa kanāls (5) ir jāuzstāda ūdens tvertnes iekšpusē pirms ūdens pievienošanas.
4. Pievienojot ūdeni, neinjicējiet ūdeni smidzināšanas sprauslā (3) un nesmidziniet ūdeni miglas izplūdes atverē (10), kā arī neinjicējiet ūdeni gaisa izplūdes atverē (9).
5. Pievērsiet uzmanību tam, lai nepārsniegtu MAX (maksimālo) ūdens līmeni, kas norādīts uz gaisa izplūdes atveres (9) – skatiet 2. attēlu. Izmantojiet tīru krāna ūdeni.
6. Aizveriet ūdens tvertnes vāku (2) kopā ar ūdens uzpildes vāku (1). Pievienojiet ierīci.
7. Ja ierīci nav plānots lietot, ūdens jāizlej no ūdens tvertnes (6).
8. Lai samazinātu kaļķakmens nogulsnešanos no ūdens - balta pulvera, pēc izvēles pie šīs ierīces pārdevēja varat iegādāties ūdens filtru šai ierīcei, numurs AD7972.1.

## AROMATERAPIJAS FUNKCIJA

1. Noņemiet ūdens tvertnes vāku (1) kopā ar ūdens uzpildes vāku (1).
  2. Ielejiet 2–3 pilienus ēteriskās eļļas uz aromterapijas kokvilnas sūkļa (13) un ievietojiet to aromterapijas traukā (4). Apskatiet 4. attēlu. Novietojiet aromterapijas trauku (4) uz miglas izplūdes atveres (10) augšdaļas. Jauk salaka tiks izplatīta kopā ar miglu.
- UZMANĪBU!** Šai ierīcei ir piemērotas TIKAI ūdenī šķīstošās ēteriskās eļļas.
3. NEpiliņiet ēteriskās eļļas tieši ūdenī.

## OPERĀCIJA

1. Pēc pieslēgšanas ierīce dod skaņas signālu un ierīce pāriet gaidīšanas režīmā.
2. Lai ieslēgtu ierīci, vienreiz nospiediet ieslēgšanas pogu (7A). Noklusējuma miglas skaļums ir iestatīts zemā līmenī, displejā (8) būs redzamas divas līnijas (9.B attēls). Atkārtoti nospiediet šo pogu (7A), lai pēc kārtas mainītu režīmus uz vidēju miglas izvades līmeni (9.C attēls), lielu miglas skaļumu (9.D attēls), miega režīmu (9.D attēls) vai pēc kārtas izslēgtu ierīci (9.E attēls).

## ŪDENS TRŪKUMA AIZSARDŽĪBA

Kad ierīce darbojas, iebūvētā atspere nosaka ūdens trūkumu. Pēc tam ierīce pārstāj darboties, displejā (8) parādīsies "EE" un mirgos 5 sekundes, un jūs dzirdēsiet 3 skaņas signālus. Pēc tam ierīce pāriet gaidīšanas režīmā. Pēc ūdens pievienošanas nospiediet ieslēgšanas pogu (7A), tad ierīce var darboties normāli.

## MIEGA REŽĪMA IESTATĪJUMI

Ierīce darbosies ar vidēju miglas izvadi 5 minūtes un apturēs miglas izvadi uz 5 minūtēm, pēc tam strādā 5 minūtes un apstāsies uz 10 minūtēm; pēc tam tas darbosies 5 minūtes un apstāsies uz 15 minūtēm, turpmāk darbība tiks turpināta šādā ciklā. Miega režīmā displejs (8) ir aptumšots – skatiet 9E attēlu.

## TAIMERA IESTATĪJUMI

Noklusējuma iestatījums ir nulle stundu. Darbības laikā vairākkārt nospiediet taimera pogu (7B), lai izvēlētos vienu no taimera darbības periodiem: 1 stunda vai 2 stundas vai 4 stundas vai 6 stundas vai nospiediet vēlreiz, lai izslēgtu taimera funkciju – skatiet 4. attēlu. Taimera funkcija aptur darbību. Ierīce pēc noteikta perioda beigām.

## MITRUMA LĪMENA IESTATĪŠANA

Ierīces darbības laikā nospiediet nepārtrauktā mitruma pogu (7C), jūs varat iestatīt mitruma vērtību diapazonā no 40-90% no relatīvā mitruma, katra atkārtota nospiešana palielinās par 5% vērtību. Kad ir iestatīts mitruma līmenis, ierīce pastāvīgi mitrina līdz vajadzīgajam mitruma līmenim. Kad ir sasniegts vēlamo mitrināšanas līmenis, ierīce pāriet gaidīšanas režīmā un pārtrauc miglas izsmidzināšanu, līdz apkārtējās vides mitruma līmenis samazinās līdz 5% zem vēlamo mitrināšanas līmeņa. Šādā gadījumā ierīce automātiski atkal sāk izsmidzināt miglu. Apskatiet 5. attēlu.

## TĪRĪŠANA UN APKOPE

1. Pirms tīrīšanas atvienojiet ierīci no elektrotīkla. Ja ūdens tvertnē (6) ir palicis nedaudz ūdens, tas jāizlej, sasverot ūdens tvertni (6).
- UZMANĪBU!** Svarīga problēma ir pareiza ūdens tvertnes (6) pozīcija, kamēr ūdens tiek izliets. Pareizā pozīcija tiek sasniegta, ja gaisa izplūdes atvere (9) paliek sausa un ūdens strūklu vada pa ūdens tvertnes (6) pretējo malu.
2. Izfīriet ūdens tvertni ik pēc 3 dienām.
  3. Ierīcei pēc noteikta laika izmantošanas viegli var parādīties zvīņas un veidoties "balta pulvera" parādība, tā tiek piestiprināta pie izsmidzināšanas devēja (12) virsmas, ietekmējot mitrināšanas efektivitāti. Regulāri jāfīra galvenās sastāvdaļas. Lai notīrītu galvenās sastāvdaļas, skatiet 6. attēlu.

\* Atveriet ūdens tvertnes vāku (2), izjauciet miglas gaisa kanālu (5), griežot to pretēji pulksteņrādītāja virzienam – skatiet 6.A attēlu.

\* Noslaukiet ūdens tvertnes (6) iekšpusi un miglas gaisa vadu (5) ar mīkstu drāniņu – skatiet attēlu 6B.

- \* Pievienojiet atbilstošu ūdens daudzumu, notīriet ierīci ar tīrīšanas suku (14) - skatiet 6C attēlu.
- \* Noslaukiet izsmidzināšanas devēju (12) ar vates tamponu, kas iestrēdzis ar citronskābes šķīdumu.
- 4. Neizmantojiet asus cietus traukus, lai pieskartos pulverizatoram.
- 5. Tīrīšanai neizmantojiet mazgāšanas līdzekli, labāk ir klana ūdens. Pēc tam nosusiniet elementus ar mīkstu drānu, uzstādiat miglas gaisa kanālu (5), griežot to pulksteņrādītāja virzienā.
- 6. Ierīces korpusa ārējo virsmu var notīrīt ar mitru drānu un pēc tam noslaucīt ar tīru drānu. Virsmas noslaucisānai neizmantojiet ķīmiskos šķīdinātājus, benzīnu, petroleju vai pulēšanas pulveri.
- 7. Tīrīšanas laikā neļaujiet ūdenim iekļūt korpusa iekšpusē, lai izvairītos no iekšējo komponentu darbības traucējumiem.
- 8. Pirms katras nākamās lietošanas reizes notīriet ierīci.

#### GLABĀŠANA

1. Sezonas uzglabāšanai ierīcei jābūt tukšai, iztīrītai un sausai.
2. Uzglabāšana maisā, lai pasargātu no putekļiem, sausā vietā.

#### PROBLĒMU NOVĒRŠANA

Ja ierīce nedarbojas pareizi, pirms nosūtīšanas uz pēcpalīdzības servisu pārbaudiet tālāk norādītos iespējamos iemeslus, lai paši atrisinātu problēmas.

PROBLĒMA I.: displejs (8) nav ieslēgts.

I IESPĒJAMĀIS PROBLĒMAS IEMESLS: strāvas padeve nav pareizi pievienota.

I PROBLĒMAS RISINĀJUMS: pievienojiet strāvas vadu un ieslēdziet strāvu.

PROBLĒMA II.: tvertnē ir ūdens, sarkanā gaisma mirgo, kad ierīce ir ieslēgta

II PROBLĒMAS IESPĒJAMĀIS IEMESLS: izsmidzinātājam ir pārāk daudz skalas (12)

uz izsmidzināšanas devēja (12) uzkrājušos nogulsnes.

III PROBLĒMA: izsmidzināšanas daudzums ir pārāk mazs

III PROBLĒMAS IESPĒJAMĀIS IEMESLS:

IIIa. Uz izsmidzināšanas devēja ir pārāk daudz baltas skalas (12)

IIIb. Ūdens ir pārāk netīrs vai pārāk ilgi uzglabāts

IIIc. Miglas apjoms tika iestatīts zemā līmenī

III PROBLĒMAS RISINĀJUMS:

IIIa. notīriet balto kaļķakmens nogulsnes uz izsmidzināšanas devēja (12)

IIIb. Mainiet uz tīru ūdeni

IIIc. Iestatiet vidēju vai augstu miglas līmeni

IV PROBLĒMA: neparasts troksnis

IV PROBLĒMAS IESPĒJAMĀIS IEMESLS:

IVa. Ūdens tvertnē ir pārāk maz ūdens

IVb. Tas saskaras ar galda virsmu, radot nervozitāti

IV PROBLĒMAS RISINĀJUMS:

IVa. pievieno ūdeni

IVb. Novietojiet ierīci uz stingras, gludas virsmas

V PROBLĒMA: Savdabīga miglas smaka

IESPĒJAMĀIS PROBLĒMAS II IEMESLS: ūdens ūdens tvertnē nav tīrs vai tas tika turēts ilgu laiku

II PROBLĒMAS RISINĀJUMS: iztīriet ūdens tvertni, nosusiniet to, pēc tam pievienojiet tīru ūdeni

#### TEHNISKAIS DATUMS:

Jauda: 23W

Barošana: 220-240V ~50-60Hz

Ūdens tvertnes tilpums : 4 litri



Apkārtējās vides aizsardzība. Kartona iepakojumu, lūdzu, nododiet atsevišķai pārstrādei. Polietilēna maisījumus (PE) izmest plastmasas izstrādājumiem paredzētajos konteineros. Lietotās elektropreces nododiet attiecīgajos pieņemšanas punktos. Ierīcē satur bīstamas sastāvdaļas, kas var izraisīt draudus apkārtējai videi. Elektroierīce jānodod tā, lai ierobežotu tās atkārtotu izmantošanu. Ja ierīcē atrodas baterijas, izņemiet tās un nododiet pieņemšanas punktā atsevišķi. Produktu neizmest sadzīves atkritumu konteinerā!

## EESTI

### ÜLDISED OHUTUSTINGIMUSED

#### OLULISED OHUTUSJUHISED LOE Hoolikalt ja SÄILITAVAD TULEVIKEKS

Garantiitingimused on erinevad, kui seadet kasutatakse kaubanduslikul eesmärgil.

1. Enne toote kasutamist lugege hoolikalt ja järgige alati järgmisi juhiseid. Tootja ei vastuta kahjude eest, mis on põhjustatud seadme kasutamisest eesmärgipärasel viisil või selle ebaõige käitamise tõttu.
2. Seade on mõeldud ainult koduseks kasutamiseks. Ärge kasutage muuks otstarbeks, mis

ei ole ettenähtud otstarve.

3. Seade tuleks ühendada ainult 220–240 V ~ 50/60 Hz pistikupesassa.

4. Olge seadme kasutamisel eriti ettevaatlik, kui lapsed on läheduses. Ärge lubage lastel seadmega mängida, ärge lubage last ega seadet tundmatutel inimestel seda kasutada.

5. HOIATUS. Seda seadet võivad kasutada üle 8-aastased lapsed ja piiratud füüsilise, sensoorse või vaimse võimega inimesed või inimesed, kellel pole seadmetest kogemusi ega teadmisi, kui seda tehakse vastutava isiku järelevalve all. nende turvalisuse huvides või kui neile on antud teavet seadme ohutu kasutamise kohta ning nad on teadlikud seadme kasutamise ohtudest. Lapsed ei tohiks seadmetega mängida. Lapsed ei tohi seadet puhastada ega hooldada, välja arvatud juhul, kui nad on üle 8-aastased ja neid toiminguid teostatakse järelevalve all.

6. Pärast kasutamist eemaldage alati pistik pistikupesast, hoides pistikupesa käega. ÄRGE tõmmake toitejuhet.

7. Arge kastke kaablit, pistikut, alust ja kogu seadet vette ega mõnda muusse vedelikku.

Arge jätke seadet ilmastikutingimustele (vihm, päike jne) ega kasutage seda kõrge õhuniiskuse tingimustes (vannitoad, niisked haagissuvilad).

8. Kontrollige perioodiliselt toitejuhtme seisukorda. Kui toitejuhe on kahjustatud, peaks selle ohu vältimiseks vahetama remondikeskuse spetsialist.

9. Arge kasutage seadet kahjustatud toitejuhtmega, kui see on kukkunud või muul viisil kahjustatud või kui see ei tööta korralikult. Arge parandage seadet ise, kuna on elektrilöögi oht. Viige kahjustatud seade kontrollimiseks või parandamiseks vastavasse hoolduskeskusesse. Kõiki remonditöid tohivad teha ainult volitatud hoolduspunktid. Valesti tehtud parandused võivad põhjustada tõsisid ohte kasutajale.


10. Asetage seade jahedale ja stabiilsele pinnale, eemale kuumadest köögiseadmetest nagu elektripliit, gaasipõleti jne.

11. Arge kasutage seadet tuleohtlike materjalide läheduses.

12. Toitejuhe ei tohi riputada üle laua ääre ega puudutada kuumi pindu.

13. Arge kunagi jätke toodet toiteallikaga ühendatud ilma järelevalveta. Isegi kui kasutamine on lühiajaliselt katkestatud, lülitage see võrgust välja, eemaldage toide.

14. Täiendava kaitse tagamiseks on soovitatav elektriahelasse paigaldada jääkvooluseade (RCD), mille nimivajuvool ei ületa 30 mA. Küsige seda elektrikult.

 15. Arge kasutage seadet vee lähedal, nt. ... duši all, vannis või valamu kohal veega.

16. Kui seadet kasutatakse vannitoas, eemaldage pärast kasutamist pistik pistikupesast, kuna vee lähedus on ohtlik isegi siis, kui seade on välja lülitatud.

17. Arge laske seadmel märjaks saada. Juhul, kui seade kukub vette, eemaldage kohe pistik seinakontaktist. Arge pange käsi vette, kui masin on võrguga ühendatud. Enne selle uuesti kasutamist peab kvalifitseeritud elektrik seda kontrollima.

18. Arge hoidke seadet märgade kätega.

19. Lülitage seade alati pärast iga kasutamist välja. Enne vooluvõrgust eemaldamist lülitage toide välja.

20. Arge kunagi lülitage seadet sisse, kui veepaagis pole vett.

21. Kasutage ainult puhast jahedat vett.

22. Arge valage paaki vett üle maksimaalse taseme.

23. Arge kastke niisutaja alust. Kui seadmele voolab vett, eemaldage see kohe vooluvõrgust ja laske sellel kuivada.

24. Arge lisage vesikonda, veepaaki ega udu väljalaskeavasse kemikaale. Ärge lisage vette soolasid, katlakivi eemaldamise tablette, pulbreid ega puhastusvahendeid.

25. Udu sisselaskeava ja veepaagi kate peaksid alati olema tihedalt suletud.

26. Veenduge, et õhuniisutaja udupesa ei oleks suunatud otse seintele, mööblile, pistikupesadele, elektri- ja elektroonikaseadmetele ega lastele. Ruumi liiga kõrge niiskus võib põhjustada niiskuse kogunemist, põhjustades bakterite ja seente kasvu ning seente, mööbli ja tapeetide kahjustusi.

27. Arge blokeerige seadme ventilatsiooni. Hoidke seadmest vähemalt 20 cm kaugust. Ärge blokeerige niisutaja veeudu väljalaskeava.

28. Ärge kasutage seadet, kui on kondenseerumisoht. Niiskus võib tekkida seadme seest ja väljast, kui:
- seade viiakse külmast sooja kohta,
  - küttesüsteem on äsja sisse lülitatud,
  - seadet kasutatakse kõrge õhuniiskusega ruumis,
  - seadet jahutab kliimaseadme jahutussüsteem.
- Kui seadmes tekib niiskuse kondenseerumine, ei pruugi see korralikult töötada või äärmuslikel juhtudel kahjustada saada. Sellisel juhul ärge kasutage seadet ja laske sellel paar tundi kuivada.
29. Ärge kallutage, pöörake ümber ega proovige töö ajal masinast vett lisada ega valada.
30. Ärge eemaldage õhuniisutaja töötamise ajal paaki seadme põhjast.
31. Täidetud veepaak on raske. Kandmisel hoidke seda ka all.
32. Ärge kasutage niisutajat, kui leiate seadme alt vett.
33. Ärge jätke niisutisse vett, kui seda ei kasutata.
34. Järgige selles juhendis toodud puhastamisjuhiseid.
35. Ärge kunagi lubage, et niisutaja põhipaagis ei jääks settet, niiskust ega vett (see võib põhjustada ultraheli pihusti saastumist või isegi kahjustusi).
36. Seadme pikaajalisel töötamisel võib õhuniisutaja eraldatav veeudu põrandale langeda ja põhjustada niiskust.
37. Ärge tõstke veepaaki veeauru väljalaskeava juurest.
38. Metallist laaste, traati, nõelu ja muid võõrkehi on keelatud sisestada tootesse või korpuse vahedesse, vastasel juhul võib see põhjustada elektrilöögi või talitlushäireid.
39. Pidage meeles, et kõrge õhuniiskus võib soodustada bioloogiliste organismide ja seente kasvu keskkonnas.
40. Ruumi liiga palju õhuniiskust võib põhjustada niiskuse kogunemist, põhjustades seintele, mööblile, tapeedile ja muudele elektriseadmetele kui telerile kahju. Ärge suunake udu väljalaskeava selliste objektide lähedale.
41. Ärge laske niisutaja ümbrusel niiskeks või märjaks muutuda. Niiskuse ilmnemisel lülitage udu välja. Kui uduvõimet ei saa vähendada, kasutage niisutajat vaheldumisi. Ärge laske imavatel materjalidel nagu vaipkatted, kardinad, eesriided või laudlinad niiskeks muutuda.
42. Ärge katke seadet. Ärge asetage seadme ülaosale esemeid.
43. Ärge kasutage seadet koos programmeerija, taimeri või muu seadmega, mis niisutaja automaatselt sisse lülitab.

**Hoiatus:** Veepaagis esineda võivad mikroorganismid paiskuvad õhku, põhjustades väga tõsise terviseriski. Selle vältimiseks vahetage vett regulaarselt ja puhastage paaki iga kolme päeva tagant.

**Hoiatus:** veepaaki tuleb tühjendada ja uuesti täita iga kolme päeva järel. Enne uuesti täitmist puhastage seda värske veega või kasutage saadaolevaid puhastusvahendeid, kui tootja seda nõuab. Eemaldage paagi seintele tekkinud katlakivi, setted või kile. Pärast puhastamist pühkige kõik ligipääsetavad pinnad kuivaks.

Ultraheli niisutaja kasutatul ultraheli kõrgsagedusliku võnkumise põhimõtet, vesi pihustatakse 1-5 mikroniks ülipeeneks osakesteks, seejärel hajutatakse veeudu pneumaatilise seadme kaudu õhku, et saavutada õhu ühtlane niisutamine, õhu värskendamine, niisutab nahka ja parandab tervist.

Enne esimest kasutamist

Kui seade on sisse lülitatud, ärge puudutage pihustavat andurit (12) käega, et mitte vigastada.

Seadme kirjeldus: Ultraheli niisutaja

1.Vee täitmise kaas

2.Veepaagi kaas

3.Pihusti otsik

4.Aroomiteraapia konteiner

- |  |                                   |
|--|-----------------------------------|
| 5. Udu õhukanal  | 6. Veepaak                        |
| 7A. Sisselülitamine / udu reguleerimine / puhkerežiim / väljalülitamise nupp | 7C. Pideva niiskuse nupp          |
| 7B. Taimeri nupp   | 9. Õhu sisselaskeava              |
| 8. Ekraan  | 11. Õhu väljalaskeava             |
| 10. Udu väljalaskeava  | 13. Aroomiteraapia puuvillane käs |
| 12. Pihustav andur   |                                   |
| 14. Puhastushari   |                                   |

#### VEE TÄITMINE – vaata joonist 7

1. Asetage seade stabiilsele tasasele pinnale. Ärge unustage valada vett lahti ühendatud seadmesse.
2. Avage vee täitmise kaas (2) koos vee täitmise kaanega (1).
3. Pidage meeles, et udu õhukanal (5) tuleb enne vee lisamist paigaldada veepaagi sisse.
4. Vee lisamisel ärge süstige vett pihustusotsikusse (3) ja ärge süstige vett udu väljalaskeavasse (10), samuti ärge süstige vett õhu väljalaskeavasse (9).
5. Pöörake tähelepanu sellele, et õhu väljalaskeavale (9) märgitud MAX (maksimaalne) veetase ei ületaks – llok joonisel 2. Kasutage puhast kraanivett.
6. Sulgege veepaagi kaas (2) koos vee täitmise kaanega (1). Ühendage seade vooluvõrku.
7. Kui seadet ei kavatseta kasutada, tuleb vesi veepaagist (6) välja valada.
8. Et vähendada katlakivi sadestumist veest - valge pulber, saate selle seadme müüjaltp soovi korral osta selle seadme veefiltrit numbriga AD7972.1.

#### AROMAATERAAPIA FUNKTSIOON

1. Eemaldage veepaagi kaas (1) koos vee täitmise kaanega (1).
  2. Valage 2–3 tilka eeterlikku õli aroomiteraapia puuvillakäsna (13) ja asetage see aroomiteraapianõusse (4). Vaadake joonist 4. Asetage aroomiteraapia anum (4) udu väljalaskeava (10) peale. Koos uduga jagub mõnusat sõõmu.
- TÄHELEPANU: Selle seadme jaoks sobivad AINULT vees lahustuvad eeterlikud õlid.
3. ÄRGE tilgutage eeterlikke õlisid otse vette.

#### KASUTAMINE

1. Pärast ühendamist annab seade helisignaali ja seade lülitub ooterežiimi.
2. Seadme sisselülitamiseks vajutage üks kord sisselülitusnuppu (7A). Vaikimisi on udu tugevus seatud madalale tasemele, ekraanil (8) näete kahte rida (joonist 9B). Vajutage seda nuppu (7A) korduvalt, et vahetada režiimid keskmise udu väljundi tasemele (joonist 9C), suurele udutugevusele (joonist 9D), puhkerežiimile (joonist 9D) või lülitada seade välja (joonist 9E).

#### VEEPUUDUSE KAITSE

Kui seade töötab, tuvastab sisseehitatud vedru veepuuduse. Seejärel seade lakkab töötamast, ekraanil (8) kuvatakse "EE" ja vilgub 5 sekundit ning kuulete 3 helisignaali. Pärast seda lülitub seade ooterežiimi. Pärast vee lisamist vajutage sisselülitusnuppu (7A), siis saab seade normaalselt töötada.

#### UNEREŽIIMI SEADISTUS

Seade töötab keskmise udu võimsusel 5 minutit ja peatab udu eraldumise 5 minutiks, seejärel töötab 5 minutit ja peatub 10 minutiks; järgmiseks töötab see 5 minutit ja peatub 15 minutit, edasi toimatakse sellises tsüklis. Puhkerežiimis on ekraan (8) tuhmunud – vaadake joonist 9E.

#### TAIMER SEADISTUS

Vaikeseade on null tundi. Töötamise ajal vajutage korduvalt taimeri nuppu (7B), et valida üks taimeri tööperioodist: 1 tund või 2 tundi või 4 tundi või 6 tundi või vajutage uuesti, et taimeri funktsioon välja lülitada – vaadake joonist 4. Taimeri funktsioon peatab töö seadme pärast määratud perioodi möödumist.

#### Niiskustaseme seadistus

Seadme töötamise ajal vajutage pideva niiskuse nuppu (7C), saate määrata niiskuse väärtuse vahemikus 40-90% suhtelisest õhuniiskusest, iga korduv vajutus suureneb 5% võrra. Kui niiskustase on seadistatud, niisutab seade pidevalt soovitud niiskustasemeni. Pärast soovitud niisutusasteme saavutamist lülitub seade ooterežiimi ja lõpetab udu pihustamise seni, kuni ümbritseva õhu niiskuse tase langeb 5% alla soovitud niisutusasteme. Sellisel juhul hakkab seade uuesti automaatselt pihustama udu. Vaadake joonist 5.

#### PUHASTAMINE JA HOOLDUS

1. Enne puhastamist ühendage seade vooluvõrgust välja. Kui veepaaki (6) on jäänud veidi vett, tuleb see veepaaki (6) kallutades välja valada.
- TÄHELEPANU: Oluline probleem on veepaagi (6) õige asend vee väljalaskeava ajal. Õige asend saavutatakse, kui õhu väljalaskeava (9) jääb kuivaks ja veejuga juhitakse veepaagi (6) vastasserva kaudu.
2. Puhastage veepaaki iga 3 päeva järel.
  3. Pärast seadme teatud perioodilist kasutamist on kerge tekkima katlakivi ja moodustub "valge pulbri" nähtus, see kinnitatakse pihustava

anduri (12) pinnale, mõjutades niisutusefektiivsust. Põhikomponente on vaja regulaarselt puhastada. Põhikomponentide puhastamiseks vaadake joonist 6.

\* Avage veepaagi kaas (2), võtke lahti udu õhukanal (5), pöörates seda vastupäeva – vaadake joonist 6A.

\* Pühkige veepaagi (6) sisemust ja udu õhukanalit (5) pehme lapiga – vaadake joonist 6B.

\* Lisage õige kogus vett, puhastage seadet puhastusharjaga (14) – vaadake joonist 6C.

\* Pühkige pihustavat andurit (12) sidrunhappe lahusega kleebitud vatitupsuga.

4. Ärge kasutage pihusti puudutamiseks teravaid kõvasid tööriistu.

4. Ärge kasutage puhastamiseks pesuainet, klannivesi on parem. Järgmisena kuivatage elemendid pehme lapiga, paigaldage udu õhukanal (5) päripäeva keerates.

6. Seadme korpuse välispinda saab puhastada niiske lapiga ja seejärel puhta lapiga kuivaks pühkida. Ärge kasutage pinna pühkimiseks keemilisi lahusteid, bensiooni, petrooleumi ega poleerimispulbrit.

7. Ärge laske vett puhastamise ajal korpuse sisse sattuda, et vältida sisemiste komponentide talitlushäireid.

8. Puhastage seadet enne iga järgmist kasutuskorda.

## SÄILITAMINE

1. Hooajaliseks säilitamiseks peab seade olema tühi, puhastatud ja kuiv.

2. Hoida tolmu eest kaitstult kotis kuivas kohas.

## VEAOTSING

Kui seade ei tööta korralikult, kontrollige enne müüjijärgsesse teenindusse saatmist järgmisi võimalikke põhjuseid, et probleeme ise lahendada.

PROBLEEM I.: ekraan (8) ei põle.

PROBLEEMI I VÕIMALIK PÕHJUS: toide pole korralikult ühendatud.

PROBLEEMI I LAHENDUS: ühendage toitejuhe ja lülitage toide sisse.

PROBLEEM II.: paagis on vett, seadme sisselülitamisel vilgub punane tuli

PROBLEEMI II VÕIMALIK PÕHJUS: pihustavas muunduris on liiga palju skaala (12)

PROBLEEMI II LAHENDUS: puhastage pihustusmuundurile (12) kogunev katlakivi .

PROBLEEM III: pihustuskogus on liiga väike

PROBLEEMI III VÕIMALIK PÕHJUS:

IIIa. Pihustamisanduril on liiga palju valget skaala (12)

IIIb . Vesi on liiga määrdunud või liiga kaua hoitud

IIIc. Udu maht oli seatud madalale tasemele

PROBLEEMI III LAHENDUS:

IIIa. puhastage valge katlakivi pihustusanduril (12)

IIIb . Vaheta puhta vee vastu

IIIc. Seadistage keskmine või kõrge udu tase

PROBLEEM IV: Ebanormaalne müra

PROBLEEMI IV VÕIMALIK PÕHJUS:

IVa . Veepaagis on liiga vähem vett

IVb . See pörkab kokku laua pinnaga, tekitades värinaid

PROBLEEMI IV LAHENDUS:

IVa . lisa vett

IVb . Asetage seade kindlale, siledale pinnale

PROBLEEM V: Omapärane udu lõhn

PROBLEEMI II VÕIMALIK PÕHJUS: vesi veepaagis ei ole puhas või seda hoiti pikka aega

PROBLEEMI II LAHENDUS: Puhastage veepaak, kuivatage see, seejärel lisage puhast vett

## TEHNILINE KUUPÄEV:

Võimsus: 23W

Toide: 220-240V ~50-60Hz

Veepaagi maht : 4 liitrit



Hoolitse keskkonnakaitse eest. Kartongist pakendid vii makulatuuri. Kilekotid (PE) viska kasutatud plastiku jaoks ettenähtud mahutitesse. Kasutatud seadmed vii selleks ettenähtud kogumispunktidesse, sest seadmes leiduvad ohtlikud elemendid võivad olla kahjulikud keskkonnale. Elektriseadmed tuleb anda nii ära, et seadet ei saaks enam uuesti kasutada. Kui seadmes on patareid, tuleb need välja võtta ja anda eraldi kogumispunkti. Seadet ei tohi visata olmejäätmete konteineritesse!!



## CONDITII GENERALE DE SIGURANŢĂ INSTRUCŢIUNI IMPORTANTE DE SIGURANŢA CITIŢI CU ATENŢIE ŞI economisiți pentru viitor

Condițiile de garanție sunt diferite, dacă dispozitivul este utilizat în scopuri comerciale.

1. Înainte de a utiliza produsul, vă rugăm să citiți cu atenție și să respectați întotdeauna următoarele instrucțiuni. Producătorul nu este răspunzător pentru daunele cauzate de utilizarea dispozitivului contrar scopului intenționat sau funcționării necorespunzătoare.

2. Dispozitivul este doar pentru uz casnic. Nu utilizați în alte scopuri care nu sunt destinate scopului său.

3. Dispozitivul trebuie conectat numai la o priză de 220-240 V ~ 50/60 Hz.

4. Aveți grijă deosebită când utilizați dispozitivul atunci când copiii sunt în apropiere. Nu permiteți copiilor să se joace cu dispozitivul, nu permiteți copiilor sau persoanelor care nu sunt familiarizate cu dispozitivul să îl folosească.

5. **AVERTISMENT:** Acest echipament poate fi utilizat de copii cu vârsta peste 8 ani și de persoane cu abilități fizice, senzoriale sau mentale limitate sau persoane care nu au experiență sau cunoștințe despre echipament, dacă acest lucru se face sub supravegherea unei persoane responsabile pentru siguranța lor sau li s-au acordat informații despre utilizarea în siguranță a dispozitivului și sunt conștienți de pericolele utilizării acestuia. Copiii nu trebuie să se joace cu echipamentul. Curățarea și întreținerea dispozitivului nu trebuie efectuate de copii, decât dacă aceștia au peste 8 ani și aceste activități sunt desfășurate sub supraveghere.

6. Scoateți întotdeauna ștecherul de la priza de alimentare după utilizare ținând priza cu mâna. **NU** trageți de cablul de alimentare.

7. Nu introduceți cablul, mufa, baza și întregul dispozitiv în apă sau în orice alt lichid. Nu expuneți dispozitivul la condiții atmosferice (ploaie, soare etc.) sau utilizați în condiții de umiditate ridicată (băi, case mobile umede).

8. Verificați periodic starea cablului de alimentare. Dacă cablul de alimentare este deteriorat, acesta trebuie înlocuit de un specialist în centrul de reparații pentru a evita pericolul.

9. Nu utilizați dispozitivul cu un cablu de alimentare deteriorat sau dacă a fost scăpat sau deteriorat în orice alt mod sau dacă nu funcționează corect. Nu reparați singur dispozitivul, deoarece există riscul de electrocutare. Luați dispozitivul deteriorat la un centru de service adecvat pentru verificare sau reparare. Toate reparațiile pot fi efectuate numai de către punctele de service autorizate. Reparațiile efectuate incorect pot cauza un pericol grav pentru utilizator.

10. Așezați dispozitivul pe o suprafață rece și stabilă, departe de aparatele de bucătărie fierbinți, cum ar fi aragaz electric, arzător cu gaz etc.

11. Nu utilizați dispozitivul lângă materiale inflamabile.

12. Cablul de alimentare nu trebuie să atârne peste marginea unei mese sau să atingă suprafețe fierbinți.

13. Nu lăsați niciodată produsul conectat la sursa de alimentare fără supraveghere. Chiar și când utilizarea este întreruptă pentru o perioadă scurtă de timp, opriți-o din rețea, deconectați alimentarea.

14. Pentru a oferi o protecție suplimentară, este recomandabil să instalați un dispozitiv de curent rezidual (RCD) în circuitul electric cu un curent rezidual nominal care să nu depășească 30 mA. Întrebați un electrician pentru asta.



15. Nu utilizați dispozitivul lângă apă, de ex. ... la duș, cadă sau deasupra chiuvetei cu apă.

16. Când aparatul este utilizat într-o baie, scoateți ștecherul din priză după utilizare, deoarece apropierea apei este un pericol chiar și atunci când aparatul este oprit.

17. Nu permiteți dispozitivului să se ude. În cazul în care dispozitivul cade în apă, scoateți imediat ștecherul din priza de perete. Nu puneți mâinile în apă când aparatul este conectat la rețea. Trebuie verificat de un electrician calificat înainte de a-l utiliza din nou.

18. Nu țineți dispozitivul cu mâinile ude.
19. Opriti întotdeauna dispozitivul după fiecare utilizare. Vă rugăm să opriți alimentarea înainte de a deconecta.
20. Nu porniți niciodată dispozitivul fără apă în rezervorul de apă.
21. Folosiți numai apă curată și rece.
22. Nu turnați apă în rezervor peste nivelul maxim.
23. Nu scufundați baza umidificatorului. Dacă se varsă apă pe dispozitiv, deconectați-l imediat și lăsați-l să se usuce.
24. Nu adăugați substanțe chimice în bazinul de apă, în rezervorul de apă sau în orificiul de evacuare a ceții. Nu adăugați săruri, tablete de detartraj, pulberi sau substanțe de curățat în apă.
25. Capacul de admisie pentru ceață și rezervorul de apă trebuie să fie întotdeauna bine închise.
26. Asigurați-vă că priza de ceață a umidificatorului nu este îndreptată direct către pereți, mobilier, prize electrice, dispozitive electrice și electronice sau copii. Umiditatea prea mare într-o cameră poate duce la acumularea de umiditate, cauzând creșterea bacteriilor și ciupercilor și deteriorarea peretilor, mobilierului și tapetelor.
27. Nu blocați ventilația dispozitivului. Păstrați o distanță de cel puțin 20 cm de dispozitiv. Nu blocați orificiul de evacuare a apei umidificatorului.
28. Nu utilizați dispozitivul dacă există riscul de condens. Umezeala se poate forma în interiorul și în exteriorul dispozitivului atunci când:
  - dispozitivul este mutat dintr-un loc rece într-un loc cald,
  - sistemul de încălzire tocmai a fost pornit,
  - dispozitivul este utilizat într-o cameră cu umiditate ridicată;
  - dispozitivul este răcit de sistemul de răcire a aerului condiționat.Când apare condensul de umezeală în dispozitiv, este posibil să nu funcționeze corect sau să fie deteriorat în cazuri extreme. În acest caz, nu utilizați dispozitivul și lăsați-l să se usuce câteva ore.
29. Nu înclinați, nu răsturnați sau nu încercați să completați sau să turnați apă din mașină în timpul funcționării.
30. Nu scoateți rezervorul de la baza dispozitivului în timpul funcționării umidificatorului.
31. Rezervorul de apă umplut este greu. Când îl purtați, păstrați-l și dedesubt.
32. Nu utilizați un umidificator dacă găsiți scurgeri de apă de sub dispozitiv.
33. Nu lăsați apă în umidificator atunci când nu este utilizată.
34. Urmați instrucțiunile de curățare din acest manual.
35. Nu lăsați niciodată sedimentarea, umezeala sau apa să rămână în rezervorul de bază al umidificatorului (acest lucru poate provoca contaminarea sau chiar deteriorarea atomizorului cu ultrasunete).
36. În timpul funcționării prelungite a dispozitivului, ceața de apă emisă de umidificator poate cădea pe podea și poate provoca umiditate.
37. Nu ridicați rezervorul de apă de orificiul de ieșire a apei.
38. Este interzisă introducerea de așchii metalice, sârmă, ace și alte obiecte străine în produs sau în golurile carcasei, altfel poate provoca electrocutare sau defecțiuni.
39. Rețineți că nivelurile ridicate de umiditate pot încuraja creșterea organismelor biologice și a ciupercilor din mediu.
40. Prea multă umiditate în cameră poate duce la acumularea de umiditate provocând deteriorarea peretilor, a mobilierului, a tapetului și a altor aparate electrice precum televizorul. Nu îndreptați orificiul de evacuare a ceții aproape de astfel de obiecte.
41. Nu permiteți ca zonă din jurul umidificatorului să devină umedă sau umedă. Dacă apare umezeală, reduceți producția de ceață. Dacă capacitatea de ceață nu poate fi redusă, utilizați umidificatorul intermitent. Nu permiteți ca materialele absorbante, cum ar fi covoarele, perdelele, draperiile sau fețele de masă, să devină umede.
42. Nu acoperiți dispozitivul. Nu așezați obiecte pe partea superioară a dispozitivului.
43. Nu utilizați dispozitivul în asociere cu un programator, temporizator sau alt dispozitiv care pornește automat umidificatorul.

**Avertisment:** Microorganismele care pot fi prezente în rezervorul de apă vor fi aruncate în aer, cauzând un pericol foarte grav pentru sănătate. Pentru a preveni acest lucru, schimbați apa în mod regulat și curățați rezervorul la fiecare trei zile.

**Avertisment:** Rezervorul de apă trebuie golit și umplut la fiecare trei zile. Înainte de reumplere, curățați-l cu apă proaspătă sau folosind detergenți disponibili, dacă este necesar de către producător. Îndepărtați calcarul, depunerile sau o peliculă care s-a format pe pereții rezervorului. După curățare, ștergeți toate suprafețele accesibile.

Umidificatorul cu ultrasunete folosește principiul de oscilație cu ultrasunete de înaltă frecvență, apa este atomizată în particule ultrafine de 1-5 microni, apoi ceața de apă este difuzată în aer prin dispozitivul pneumatic, astfel încât să se atingă scopul de a umidifica uniform aerul, de a răci aerul, de a hidrata pielea și îmbunătățind sănătatea.

Înainte de prima utilizare

Când dispozitivul este pomit, vă rugăm să nu atingeți un traductor de atomizare (12) cu mâna pentru a evita rănirea.

Descrierea dispozitivului: Umidificator cu ultrasunete

- |   |                                   |
|---|-----------------------------------|
| 1.Capac de umplere cu apă                                   | 2.Capac rezervor de apă           |
| 3.Duza de pulverizare                                       | 4.Container de aromaterapie       |
| 5. Conducta de aer pentru ceață                             | 6. Rezervor de apă                |
| 7A. Pornire / Reglare ceață / Modul Sleep / Buton de oprire | 7C. Buton de umiditate continuă   |
| 7B. Butonul cronometrului                                   | 9.Intrare aer                     |
| 8.Afișaj  | 11.leșire de aer                  |
| 10.leșire de ceață  | 13. Burete de bumbac aromaterapie |
| 12. Transductor de atomizare                                |                                   |
| 14. Perie de curățare                                       |                                   |

UMPLEREA CU APĂ – uitați-vă la figura 7

1. Așezați dispozitivul pe o suprafață stabilă, plană. Nu uitați să umpleți cu apă până la dispozitivul deconectat.
2. Deschideți capacul de umplere cu apă (2) împreună cu capacul de umplere cu apă (1).
3. Amintiți-vă că conducta de aer de ceață (5) trebuie instalată în interiorul rezervorului de apă înainte de a adăuga apă.
4. Când adăugați apă, nu injectați apă în duza de pulverizare (3) și nu injectați apă în orificiul de evacuare pentru ceață (10), precum și nu injectați apă în orificiul de evacuare a aerului (9).
5. Acordați atenție să nu depășiți nivelul MAX (maxim) al apei marcat pe orificiul de evacuare a aerului (9) - vedeți figura 2. Folosiți apă curată de la robinet.
6. Închideți capacul rezervorului de apă (2) împreună cu capacul de umplere cu apă (1). Conectați dispozitivul.
7. Când dispozitivul nu este planificat pentru a fi utilizat, apa trebuie turnată din rezervorul de apă (6).
8. Pentru a reduce precipitațiile de calcar din apă - pulbere albă, puteți achiziționa opțional un filtru de apă pentru acest dispozitiv, numărul AD7972.1 de la vânzătorul acestui dispozitiv.

FUNCȚIA DE AROMATERAPIE

1. Scoateți capacul rezervorului de apă (1) împreună cu capacul de umplere cu apă (1).
2. Turnați 2-3 picături de ulei esențial pe un burete din bumbac pentru aromaterapie (13) și puneți-l într-un recipient pentru aromaterapie (4). Uitați-vă la Figura 4. Așezați un recipient pentru aromaterapie (4) în partea de sus a orificiului de evacuare pentru ceață (10). Mirosul frumos va fi distribuit împreună cu ceața.

ATENȚIE: NUMAI uleiurile esențiale solubile în apa sunt potrivite pentru acest dispozitiv.

3. NU picurați uleiurile esențiale în apa direct.

OPERAȚIUNE

1. După conectare, dispozitivul dă semnal sonor și dispozitivul intră în starea de așteptare.
2. Pentru a porni dispozitivul apăsați o dată butonul de pornire (7A). Volumul de ceață implicit este setat la un nivel scăzut, veți vedea pe afișaj (8) două linii (Figura 9B). Apăsăți acest buton (7A) în mod repetat pentru a schimba modulurile la nivel mediu de ieșire de ceață (Figura 9C), volum mare de ceață (Figura 9D), modul de repaus (Figura 9D) sau pentru a opri dispozitivul (Figura 9E) la rândul său.

PROTECȚIA CURENTULUI DE APĂ

Când dispozitivul funcționează, arădă încorporat detectează lipsa apei. Apoi dispozitivul nu mai funcționează, afișajul (8) va afișa „EE” și va clipi timp de 5 secunde și veți auzi 3 semnale sonore. După aceasta, dispozitivul intră în starea de așteptare. După adăugarea apei,

apăsăți butonul de pornire (7A), apoi dispozitivul poate funcționa normal.

### SETARE MOD SLEEP

Dispozitivul va funcționa la putere medie de ceață timp de 5 minute și va întrerupe ieșirea de ceață timp de 5 minute, apoi funcționează 5 minute și se va întrerupe timp de 10 minute; apoi va funcționa timp de 5 minute și se va întrerupe timp de 15 minute, operarea ulterioară va fi continuată în acest ciclu. În modul de repaus, afișajul (8) este estompat – uitați-vă la Figura 9E.

### SETARE TIMER

Setarea implicită este zero ore. În timpul funcționării, apăsați butonul temporizatorului (7B) în mod repetat pentru a alege una dintre perioadele de funcționare a temporizatorului: 1 oră sau 2 ore sau 4 ore sau 6 ore sau apăsați din nou pentru a opri funcția temporizatorului - vedeți Figura 4. Funcția temporizatorului oprește funcționarea a dispozitivului după ce a trecut o perioadă fixă.

### SETARE NIVEL UMIDITATE

În timpul funcționării dispozitivului apăsați butonul de umiditate continuă (7C), puteți seta valoarea umidității în intervalul 40-90% din umiditatea relativă, fiecare apăsare repetată va crește cu 5%. Când nivelul de umiditate este setat, dispozitivul umidifică în mod constant până la nivelul de umidificare dorit. După atingerea nivelului de umidificare dorit, dispozitivul intră în starea de așteptare și încetează să pulverizeze ceața până când nivelul de umiditate ambientală scade la 5% sub nivelul de umidificare dorit. În acest caz, dispozitivul începe să pulverizeze din nou ceața automat. Priviți figura 5.

### CURATENIE SI MENTENANTA

1. Deconectați dispozitivul înainte de curățare. Dacă mai rămâne apă în rezervorul de apă (6), aceasta trebuie turnată prin înclinarea rezervorului de apă (6).

ATENȚIE: Problema importantă este poziția corectă a rezervorului de apă (6) în timp ce apa este turnată. Poziția corectă este obținută atunci când orificiul de evacuare a aerului (9) rămâne uscat și fluxul de apă este condus de marginea opusă a rezervorului de apă (6).

2. Curățați rezervorul de apă la fiecare 3 zile.

3. După ce dispozitivul este utilizat pentru o perioadă de timp, este ușor să apară scară și să formeze fenomenul „pulbere albă”, acesta este atașat la suprafața unui traductor de atomizare (12), afectând eficiența umidificării. Este necesar să curățați în mod regulat componentele principale. Pentru a curăța componentele principale, uitați-vă la Figura 6.

\* Deschideți capacul rezervorului de apă (2), dezasamblați conducta de aer de ceață (5) rotind în sens invers acelor de ceasornic - priviți Figura 6A.

\* Ștergeți interiorul rezervorului de apă (6) și conducta de aer de ceață (5) cu o cârpă moale – uitați-vă la Figura 6B.

\* Adăugați cantitatea adecvată de apă, curățați dispozitivul cu peria de curățare (14) - uitați-vă la Figura 6C.

\* Ștergeți un traductor de atomizare (12) cu un tampon de bumbac lipit cu soluție de acid citric.

4. Nu folosiți ustensile ascuțite și dure pentru a atinge atomizatorul.

5. Nu folosiți detergent pentru a curăța, apa de clan este mai bună. Apoi uscați elementele cu o cârpă moale, instalați conducta de aer de ceață (5) prin rotire în sensul acelor de ceasornic.

6. Suprafața exterioară a carcasei dispozitivului poate fi curățată cu o cârpă umedă și apoi ștersă cu o cârpă curată. Nu folosiți solvenți chimici, benzină, kerosen sau praf de lustruit pentru a șterge suprafața.

7. Nu lăsați apa să pătrundă în carcasă atunci când curățați pentru a evita funcționarea defectuoasă a componentelor din interior.

8. Curățați dispozitivul înainte de fiecare utilizare următoare.

### DEPOZITARE

1. Pentru depozitarea sezonieră, dispozitivul trebuie să fie gol, curățat și uscat.

2. Depozitare în pungă pentru prevenirea prafului, la loc uscat.

### DEPANARE

Dacă dispozitivul nu funcționează corect, verificați cu următoarele motive posibile înainte de a trimite la serviciul post-vânzare pentru a rezolva singur problemele.

PROBLEMA I.: display-ul (8) nu este aprins.

POSIBIL MOTIU AL PROBLEMEI I: alimentarea nu este conectată corect.

SOLUȚIA PROBLEMEI I: conectați cablul de alimentare și porniți alimentarea.

PROBLEMA II.: în rezervor este apa, lumina roșie clipește când aparatul este pornit

POSIBIL MOTIU AL PROBLEMEI II: există prea multă scară pe un traductor de atomizare (12)

SOLUȚIA PROBLEMEI II: curățați scara acumulată pe traductorul de atomizare (12)

PROBLEMA III.: cantitatea de atomizare este prea mică

POSIBIL MOTIU AL PROBLEMEI III:

IIIa. Există prea multe scale albe pe traductorul de atomizare (12)

IIIb. Apa este prea murdară sau păstrată prea mult timp

IIIc. Volumul de ceață a fost setat la un nivel scăzut

SOLUȚIA PROBLEMEI III:

IIIa. curățați calcarul alb pe un traductor de atomizare (12)

IIIb. Schimbați cu apă curată

IIIc. Setajti un nivel mediu sau ridicat de ceață

PROBLEMA IV.: Zgomot anormal

MOTIV POSIBIL AL PROBLEMEI IV:

IVa . Este prea puțină apă în rezervorul de apă

IVb . Se ciocnește de suprafața mesei pentru a produce agitații

SOLUȚIA PROBLEMEI IV:

IVa . adaugă apă

IVb . Așezați dispozitivul pe o suprafață fermă și netedă

PROBLEMA V: Mirosoasă de ceață

POSIBIL MOTIU AL PROBLEMEI II: Apa din rezervorul de apă nu este curată sau a fost păstrată mult timp

SOLUȚIA PROBLEMEI II: Curățați rezervorul de apă, uscați-l, apoi adăugați apă curată

DATA TEHNICĂ:

Putere: 23W

Alimentare: 220-240V ~50-60Hz

Capacitate rezervor apa : 4 litri



Din grija pentru mediul înconjurător. Ambalajele din carton vă rugăm să le transmiteți la centrele de maculatură. Sacii din polietilenă (PE) trebuie aruncați în recipientele pentru materialele plastice. Dispozitivul uzat trebuie transmis la punctul corespunzător de depozitare, deoarece componentele periculoase care se găsesc în dispozitiv pot fi foarte periculoase pentru mediul înconjurător. Dispozitivul electric trebuie transmis în așa fel încât să se limiteze utilizarea lui repetată. Dacă în dispozitiv se găsesc baterii acestea trebuie scoase și transmise către punctul de depozitare a acestora, separat.

## BOSANSKI

### OPŠTI USLOVI BEZBEDNOSTI, VAŽNA UPUTSTVA O SIGURNOSTI PROČITAJTE PAŽLJIVO I SPREMITE U BUDUĆNOST

Uvjeti garancije se razlikuju ako se uređaj koristi u komercijalne svrhe.

1. Prije upotrebe proizvoda pažljivo pročitajte i uvijek se pridržavajte sljedećih uputa. Proizvođač nije odgovoran za štetu nastalu korištenjem uređaja suprotno namjeni ili nepravilnim radom.

2. Uređaj je samo za kućnu upotrebu. Ne koristite u druge svrhe koje nisu za njegovu namjenu.

3. Uređaj treba priključiti samo na utičnicu 220-240 V ~ 50/60 Hz.

4. Budite posebno oprezni kada koristite uređaj kada su deca u blizini. Ne dozvolite djeci da se igraju uređajem, ne dozvolite djeci ili ljudima koji nisu upoznati s uređajem da ga koriste.

5. UPOZORENJE: Ovu opremu mogu koristiti djeca starija od 8 godina i osobe s ograničenim fizičkim, senzornim ili mentalnim sposobnostima ili osobe koje nemaju iskustva ili znanje o opremi, ako se to radi pod nadzorom odgovorne osobe radi njihove sigurnosti ili su im dodijeljeni podaci o sigurnoj upotrebi uređaja i svjesni su opasnosti korištenja uređaja. Djeca se ne bi trebala igrati sa opremom. Čišćenje i održavanje uređaja ne smiju vršiti djeca, osim ako nisu starija od 8 godina i ako se te aktivnosti obavljaju pod nadzorom.

6. Uvijek izvucite utikač iz utičnice nakon upotrebe držeći utičnicu rukom. NE povlačite kabel za napajanje.

7. Ne potapajte kabl, utikač, bazu i čitav uređaj u vodu ili bilo koju drugu tečnost. Ne izlažite uređaj atmosferskim uslovima (kiša, sunce itd.) Ili ga koristite u uvjetima visoke vlažnosti (kupaonice, vlažne mobilne kućice).

8. Povremeno provjeravajte stanje kabla za napajanje. Ako je kabl za napajanje oštećen, treba ga zamijeniti stručnjak u popravnom centru kako bi se izbjegla opasnost.

9. Ne koristite uređaj sa oštećenim kablom za napajanje ili ako je pao ili oštećen na bilo koji drugi način ili ako ne radi ispravno. Ne popravljajte uređaj sami jer postoji opasnost od strujnog udara. Odnosite oštećeni uređaj u odgovarajući servisni centar na provjeru ili popravak. Sve popravke mogu izvoditi samo ovlašteni servisni centri. Nepravilno izvedeni popravci mogu uzrokovati ozbiljnu opasnost za korisnika.

10. Postavite uređaj na hladnu, stabilnu površinu, dalje od vrućih kuhinjskih uređaja, kao što su električni štednjak, plinski gorionik itd.

11. Ne koristite uređaj u blizini zapaljivih materijala.
12. Kabel za napajanje možda neće visjeti preko ivice stola ili dodirivati vruće površine.
13. Nikada ne ostavljajte proizvod priključen na izvor napajanja bez nadzora. Čak i kada je upotreba na kratko prekinuto, isključite je s mreže i isključite napajanje.
14. Kako bi se osigurala dodatna zaštita, poželjno je u električni krug ugraditi uređaj za preostalu struju (RCD) s nominalnom preostalom strujom koja ne prelazi 30 mA. Pitajte električara za ovo.



15. Ne koristite uređaj u blizini vode, npr. ... pod tušem, kadom ili iznad umivaonika vodom.

16. Kada se aparat koristi u kupatilu, izvadite utikač iz utičnice nakon upotrebe, jer je blizina vode opasnost čak i kada je aparat isključen.

17. Ne dozvolite da se uređaj smoči. U slučaju da uređaj padne u vodu, odmah izvadite utikač iz zidne utičnice. Ne stavljajte ruke u vodu kada je mašina povezana na mrežu. Prije ponovne upotrebe mora ga provjeriti kvalificirani električar.

18. Ne držite uređaj mokrim rukama.

19. Uvijek isključite uređaj nakon svake upotrebe. Molimo isključite napajanje prije isključivanja.

20. Nikada ne palite uređaj bez vode u spremniku za vodu.

21. Koristite samo čistu, hladnu vodu.

22. Ne sipajte vodu u rezervoar iznad maksimalnog nivoa.

23. Ne potapajte bazu ovlaživača. Ako se voda prolije po uređaju, odmah ga isključite i ostavite da se osuši.

24. Ne dodavajte nikakve hemikalije u sliv vode, rezervoar za vodu ili izlaz za maglu. U vodu nemojte dodavati soli, tablete za uklanjanje kamenca, praške ili sredstva za čišćenje.

25. Ulaz za maglu i poklopac spremnika za vodu uvijek trebaju biti dobro zatvoreni.

26. Pazite da izlaz magle za ovlaživač zraka nije usmjeren direktno na zidove, namještaj, električne utičnice, električne i elektronske uređaje ili djecu. Previsoka vlažnost u sobi može dovesti do nakupljanja vlage, uzrokujući rast bakterija i gljivica te oštećenja zidova, namještaja i tapeta.

27. Ne blokirajte ventilaciju uređaja. Držite se na udaljenosti od uređaja najmanje 20 cm.

Ne blokirajte izlaz vodene maglice ovlaživača.

28. Ne koristite uređaj ako postoji opasnost od kondenzacije. Vлага se može stvoriti s unutarnje i vanjske strane uređaja kada:

- uređaj se premješta sa hladnog na toplo mjesto,
- sistem grijanja je upravo uključen,
- uređaj se koristi u sobi sa visokom vlagom,
- uređaj se hladi sistemom za hlađenje klima uređaja.

Kada se u uređaju dogodi kondenzacija vlage, on možda neće raditi ispravno ili će se u ekstremnim slučajevima oštetiti. U tom slučaju nemojte koristiti uređaj i pustite da se osuši nekoliko sati.

29. Nemojte se naginjati, prevrtati ili pokušavati dopunjavati ili sipati vodu iz mašine tokom rada.

30. Nemojte uklanjati spremnik sa baze uređaja za vrijeme rada ovlaživača zraka.

31. Napunjeni spremnik za vodu je težak. Kad ga nosite, držite ga i ispod.

32. Ne koristite ovlaživač zraka ako utvrdite da ispod uređaja curi voda.

33. Ne ostavljajte vodu u ovlaživaču kad se ne koristi.

34. Slijedite upute za čišćenje u ovom priručniku.

35. Nikada ne dopustite da faloženje, vlaga ili voda ostanu u osnovnom rezervoaru ovlaživača (to može prouzrokovati kontaminaciju ili čak oštećenje ultrazvučnog raspršivača).

36. Tokom dužeg rada uređaja, vodena magla koju emitira ovlaživač zraka može pasti na pod i prouzrokovati vlagu.

37. Nemojte dizati spremnik za vodu za izlaz vodene magle.

38. Zabranjeno je umetanje metalnih iverja, žice, igala i drugih stranih predmeta u proizvod

ili u praznine kućišta, jer u protivnom može doći do strujnog udara ili kvara.

39. Imajte na umu da visoki nivoi vlažnosti mogu potaknuti rast bioloških organizama i gljivica u okolišu.

40. Previše vlage u sobi može dovesti do nakupljanja vlage uzrokujući oštećenja zidova, namještaja, tapeta i drugih električnih uređaja poput TV-a. Ne usmjerite izlaz za maglu blizu takvih predmeta.

41. Ne dopustite da se područje oko ovlaživača vlaži ili vlaži. Ako se javi vlaga, smanjite stvaranje magle. Ako se kapacitet maglice ne može smanjiti, povremeno koristite ovlaživač zraka. Pazite da upijajući materijali, kao što su tepisi, zavjese, zavjese ili stolnjaci, ne postanu vlažni.

42. Ne pokrivajte uređaj. Ne stavljajte nikakve predmete na vrh uređaja.

43. Ne koristite uređaj zajedno sa programatorom, tajmerom ili drugim uređajem koji automatski uključuje ovlaživač.

**Upozorenje:** Mikroorganizmi koji se mogu nalaziti u rezervoaru za vodu će biti ispuhani u vazduh, uzrokujući veoma ozbiljnu opasnost po zdravlje. Da biste to spriječili, redovno mijenjajte vodu i čistite rezervoar svaka tri dana.

**Upozorenje:** Rezervoar za vodu treba prazniti i puniti svaka tri dana. Prije ponovnog punjenja, očistite ga svježom vodom ili korištenjem dostupnih deterdženata ako to zahtijeva proizvođač. Uklonite kamenac, naslage ili film koji se stvorio na zidovima rezervoara. Nakon čišćenja, osušite sve dostupne površine.

Ultrazvučni ovlaživač koristi princip ultrazvučnog visokofrekventnog osciliranja, voda se atomizira u ultra fine čestice veličine 1-5 mikrona, a zatim se vodena magla difundira u zrak kroz pneumatski uređaj, kako bi se postigla svrha ravnomjernog ovlaživanja zraka, osvježavajući zrak, hidratizira kožu i poboljšava zdravlje.

Prije prve upotrebe

Kada je uređaj uključen, nemojte dodirivati raspršivač (12) rukom kako biste izbjegli ozljede.

Opis uređaja: Ultrazvučni ovlaživač zraka

- |   |                                    |
|---|------------------------------------|
| 1. Poklopac za punjenje vode  | 2. Poklopac rezervoara za vodu     |
| 3. Mlaznica za prskanje   | 4. Posuda za aromaterapiju         |
| 5. Kanal za zrak za maglu   | 6. Rezervoar za vodu               |
| 7A. Uključivanje / podešavanje magle / režim mirovanja / dugme za isključivanje | 7C. Dugme za kontinuiranu vlažnost |
| 7B. Dugme tajmera   | 9. Ulaz zraka                      |
| 8. Zaslon   | 11. Izlaz zraka                    |
| 10. Izlaz magle   | 13. Aromaterapijski pamučni sunder |
| 12. Atomizirajući pretvarač   |                                    |
| 14. Četka za čišćenje   |                                    |

**PUNJENJE VODOM** – pogledajte sliku 7

1. Postavite uređaj na stabilnu, ravnu površinu. Ne zaboravite napuniti vodu do isključenog uređaja.
2. Otvorite poklopac za punjenje vode (2) zajedno sa poklopcem za punjenje vode (1).
3. Imajte na umu da zračni kanal za maglu (5) mora biti instaliran unutar spremnika za vodu prije dodavanja vode.
4. Prilikom dodavanja vode, nemojte ubrizgavati vodu u mlaznicu za prskanje (3) i nemojte ubrizgavati vodu u izlaz za maglu (10), kao ni u otvor za zrak (9).
5. Pazite da ne prekoračite MAX (maksimalni) nivo vode označen na izlazu za vazduh (9) - Ilok na slici 2. Koristite čistu vodu iz slavine.
6. Zatvorite poklopac rezervoara za vodu (2) zajedno sa poklopcem za punjenje vode (1). Uključite uređaj.
7. Kada se uređaj ne planira koristiti vodu treba izliti iz rezervoara za vodu (6).
8. Za smanjenje taloženja kamenca iz vode - bijelog praha, po želji možete kupiti filter za vodu za ovaj uređaj, broj AD7972.1 od prodavca ovog uređaja.

**FUNKCIJA AROMATERAPIJE**

1. Skinite poklopac rezervoara za vodu (1) zajedno sa poklopcem za punjenje vode (1).
2. Sipajte 2-3 kapi eteričnog ulja na aromaterapijski pamučni sunder (13) i stavite ga u posudu za aromaterapiju (4). Pogledajte sliku 4.

Postavite posudu za aromaterapiju (4) na vrh izlaza za maglu (10). Lijepi miris će se distribuirati zajedno sa maglom.

**PAŽNJA:** SAMO eterična ulja rastvorljiva u vodi su pogodna za ovaj uređaj.

3. **NEMOJTE** kapati eterična ulja direktno u vodu.

## OPERACIJA

1. Nakon uključivanja uređaj daje zvučni signal i uređaj ulazi u stanje pripravnosti.

2. Za uključivanje uređaja jednom pritisnite dugme za uključivanje (7A). Podrazumevana jačina magle je postavljena na nizak nivo, videćete na displeju (8) dve linije (slika 9B). Pritisnite ovo dugme (7A) više puta da promenite režime na srednji nivo izlazne magle (Slika 9C), veliku jačinu magle (Slika 9D), režim mirovanja (Slika 9D) ili da isključite uređaj (Slika 9E).

## ZAŠTITA OD NESTANKA VODE

Kada uređaj radi, ugrađena opruga detektuje nedostatak vode. Tada uređaj prestaje da radi, na displeju (8) će se prikazati "EE" i treperiti 5 sekundi i čučete 3 zvučna signala. Nakon toga, uređaj prelazi u stanje pripravnosti. Nakon dodavanja vode, pritisnite dugme za uključivanje (7A) i uređaj može normalno da radi.

## PODEŠAVANJE NAČINA SLEEP

Uređaj će raditi na srednjem izlazu magle 5 minuta i pauzirati će izlaz magle na 5 minuta, zatim će raditi 5 minuta i pauzirati će 10 minuta; zatim će raditi 5 minuta i pauzirati 15 minuta, dalji rad će se nastaviti u tom ciklusu. U režimu mirovanja displej (8) je zatamnjen – pogledajte sliku 9E.

## PODEŠAVANJE TAJMERA

Podrazumevana postavka je nula sati. Tokom rada pritisnite dugme tajmera (7B) više puta da odaberete jedan od perioda rada tajmera: 1 sat ili 2 sata ili 4 sata ili 6 sati ili pritisnite ponovo da isključite funkciju tajmera – pogledajte sliku 4. Funkcija tajmera zaustavlja rad uređaja nakon isteka određenog perioda.

## PODEŠAVANJE NIVOA VLAŽNOSTI

Tokom rada uređaja pritisnite dugme za kontinuiranu vlažnost (7C), možete podesiti vrednost vlažnosti u opsegu 40-90% relativne vlažnosti, svaki ponovljeni pritisak će se povećati za 5% vrednosti. Kada je postavljen nivo vlažnosti, uređaj konstantno ovlažuje do željenog nivoa vlažnosti. Nakon dostizanja željenog nivoa vlažnosti, uređaj ulazi u stanje pripravnosti i prestaje sa raspršivanjem magle sve dok se nivo vlažnosti okoline ne smanji na 5% ispod željenog nivoa vlažnosti. U tom slučaju uređaj ponovo automatski počinje raspršivati maglu. Pogledajte sliku 5.

## ČIŠĆENJE I ODRŽAVANJE

1. Isključite uređaj prije čišćenja. Ako je u rezervoaru za vodu (6) ostalo malo vode, treba je izliti naginjanjem rezervoara za vodu (6). **PAŽNJA:** Važna stvar je ispravan položaj rezervoara za vodu (6) dok se voda izliva. Ispravan položaj se postiže kada izlaz zraka (9) ostane suh, a mlaz vode vodi suprotna ivica rezervoara za vodu (6).

2. Očistite rezervoar za vodu svaka 3 dana.

3. Nakon što se uređaj koristi neko vrijeme, lako se pojavljuje kamenac i formira se fenomen "bijelog praha", pričvršćuje se na površinu raspršivača (12), što utiče na efikasnost ovlaživanja. Potrebno je redovno čistiti glavne komponente. Za čišćenje glavnih komponenti pogledajte sliku 6.

\* Otvorite poklopac rezervoara za vodu (2), rastavite zračni kanal za maglu (5) rotirajući suprotno od kazaljke na satu - pogledajte sliku 6A.

\* Obrišite unutrašnjost rezervoara za vodu (6) i kanal za vazduh za maglu (5) mekom krpom – pogledajte sliku 6B.

\* Dodajte odgovarajuću količinu vode, očistite uređaj četkom za čišćenje (14) - pogledajte sliku 6C.

\* Obrišite sondu za raspršivanje (12) pamučnim štapićem namočenim u rastvor limunske kiseline.

4. Nemojte koristiti oštar pribor za dodirivanje atomizera.

5. Nemojte koristiti deterdžent za čišćenje, bolja je voda klana. Zatim osušite elemente mekom krpom, postavite zračni kanal za maglu (5) okretanjem u smjeru kazaljke na satu.

6. Spoljašnja površina kućišta uređaja može se očistiti vlažnom krpom, a zatim osušiti čistom krpom. Nemojte koristiti hemijska otapala, benzin, kerozin ili prašak za poliranje za brisanje površine.

7. Ne dozvolite da voda uđe u kućište prilikom čišćenja kako biste izbjegli kvar unutrašnjih komponenti.

8. Očistite uređaj prije svake sljedeće upotrebe.

## SKLADIŠTE

1. Za sezonsko skladištenje uređaj treba biti prazan, očišćen i suv.

2. Čuvanje u vrećici za zaštitu od prašine, na suvom mestu.

## RJEŠAVANJE PROBLEMA

Ako uređaj ne radi ispravno, provjerite sa sljedećim mogućim razlozima prije slanja u postprodajni servis kako biste sami riješili probleme.

**PROBLEM I:** displej (8) nije uključen.

**MOGUĆI RAZLOG PROBLEMA I:** napajanje nije pravilno priključeno.

**REŠENJE PROBLEMA I:** Uključite kabl za napajanje i uključite napajanje.



PROBLEM II.: ima vode u rezervoaru, crvena lampica treperi kada se uređaj uključuje

MOGUĆI RAZLOG PROBLEMA II: previše je kamenca na raspršivaču (12)

RJEŠENJE PROBLEMA II: očistite kamenac koji se nakuplja na raspršivaču (12)

PROBLEM III.: količina atomizacije je premala

MOGUĆI RAZLOG PROBLEMA III:

IIIa. Previše je bijele ljestvice na raspršivaču (12)

IIIb . Voda je previše prljava ili je predugo čuvana

IIIc. Jačina magle je postavljena na niski nivo

RJEŠENJE PROBLEMA III:

IIIa. očistite bijeli kamenac na raspršivaču (12)

IIIb . Promijenite na čistu vodu

IIIc. Postavite srednji ili visoki nivo magle

PROBLEM IV.: Nenormalna buka

MOGUĆI RAZLOG PROBLEMA IV:

IVa . U rezervoaru za vodu ima premalo vode

IVb . Sudari se s površinom stola i stvara tremu

RJEŠENJE IV PROBLEMA:

IVa . dodati vodu

IVb . Postavite uređaj na čvrstu, glatku površinu

PROBLEM V: Neobičan miris magle

MOGUĆI RAZLOG PROBLEMA II: Voda u rezervoaru za vodu nije čista ili je dugo čuvana

RJEŠENJE PROBLEMA II: Očistite rezervoar za vodu, osušite ga, zatim dodajte čistu vodu

TEHNIČKI DATUM:

Snaga: 23W

Napajanje: 220-240V ~50-60Hz

Kapacitet rezervoara za vodu : 4 litre



Brinuci za okoliš. Molimo Vas da kartonska pakovanja odnesete u otkup otpadnog papira. Polietilenske džakove (PE) bacajte u kontejner za plastiku. Iskorišćen uređaj treba odneti na odgovarajuću deponiju, jer opasni sastojci koji se u njemu nalaze, mogu biti opasni za okoliš. Električni uređaj treba odneti na način, koji ograničava njegovu ponovnu upotrebu i korištenje. Ako se u uređaju nalaze baterije, treba ih izvaditi i odvojeno predati na deponiju.

Uređaj se ne smije bacati u kontejner za komunalni otpad!!

## MAGYAR

### ÁLTALÁNOS BIZTONSÁGI FELTÉTELEK FONTOS BIZTONSÁGI UTASÍTÁSOK GONDOSAN OLVASSA EL ÉS Mentsen meg a jövőbe

A garanciális feltételek eltérőek, ha az eszközt kereskedelmi célokra használják.

1. A termék használata előtt olvassa el figyelmesen, és mindig tartsa be az alábbi utasításokat. A gyártó nem felel azokért a károkért, amelyeket a készülék rendeltetésellenes használatával vagy nem rendeltetészerű használatával okozott.

2. A készülék csak otthoni használatra szolgál. Ne használja más, nem rendeltetészerű célokra.

3. A készüléket csak 220-240 V ~ 50/60 Hz-es aljzathoz szabad csatlakoztatni.

4. Különös gondossággal járjon el a készülék használatakor, ha gyermekek a közelben vannak. Ne engedje, hogy gyerekek játszanak a készülékkel, ne engedje, hogy gyermekek vagy a készüléket nem ismerő emberek használják.

5. FIGYELMEZTETÉS: Ezt a berendezést 8 évesnél idősebb gyermekek és korlátozott fizikai, érzékszervi vagy szellemi képességű emberek, vagy olyan személyek használhatják, akiknek nincs tapasztalata vagy ismerete a berendezésről, ha ezt felelős személy felügyelete mellett végzik. biztonságuk érdekében, vagy tájékoztatást kaptak számukra a készülék biztonságos használatáról, és tisztában vannak a használatának veszélyeivel. A gyermekek ne játszanak a felszereléssel. A készülék tisztítását és karbantartását csak gyermekek végezhetik, kivéve, ha 8 évnél idősebbek, és ezeket a tevékenységeket felügyelet mellett végzik.

6. Használat után mindig húzza ki a csatlakozódugót a konnektorból úgy, hogy kézzel tartja az aljzatot. NE húzza meg a tápkábelt.

7. Ne merítse a kábelt, a dugót, az alapot és az egész készüléket vízbe vagy bármilyen más folyadékba. Ne tegye ki a készüléket légköri viszonyoknak (eső, nap stb.), Es ne

használja magas páratartalom mellett (fürdőszoba, nedves mobilház).

8. Rendszeresen ellenőrizze a tápkábel állapotát. Ha a tápkábel megsérült, a veszély elkerülése érdekében a javítóközpont szakembereinek kell kicserélniük.

9. Ne használja a készüléket sérült tápkábelrel, vagy ha bármilyen módon leesett vagy megrongálódott, vagy ha nem megfelelően működik. Ne javítsa a készüléket maga, mert fennáll az áramütés veszélye. Vigye a sérült készüléket a megfelelő szervizközpontba ellenőrzésre vagy javításra. Minden javítást csak hivatalos szervizhelyek végezhetnek. A helytelenül végzett javítások komoly veszélyt jelenthetnek a felhasználó számára.

10. Helyezze a készüléket hűvös, stabil felületre, távol forró konyhai eszközöktől, például elektromos tűzhelytől, gázégőtől stb.

11. Ne használja a készüléket gyúlékony anyagok közelében.

12. A tápkábel nem lóghat az asztal szélén, és nem érintheti meg a forró felületeket.

13. Soha ne hagyja felügyelet nélkül a terméket az áramforráshoz csatlakoztatva. Még akkor is, ha a használat rövid ideig megszakad, kapcsolja ki a hálózatról, húzza ki az áramot.

14. A további védelem biztosítása érdekében ajánlatos egy maradékáram-eszközt (RCD) beépíteni az elektromos áramkörbe, amelynek névleges maradékárama nem haladja meg a 30 mA-t. Kérjen erről villanyszerelőt.



15. Ne használja a készüléket víz közelében, pl. ... zuhanyzóban, kádban vagy a mosdó felett vízzel.

16. Ha a készüléket fürdőszobában használják, használat után húzza ki a csatlakozót az aljzatból, mivel a víz közelsége még a készülék kikapcsolása esetén is veszélyt jelent.

17. Ne engedje, hogy a készülék nedves legyen. Abban az esetben, ha a készülék vízbe esik, azonnal húzza ki a dugót a fali aljzatból. Ne tegye a kezét vízbe, amikor a gép csatlakozik a hálózathoz. Az újbóli használat előtt képzett villanyszerelőnek kell ellenőriznie.

18. Ne tartsa nedves kézzel a készüléket.

19. Minden használat után mindig kapcsolja ki a készüléket. Kérjük, kapcsolja ki a tápfeszültséget, mielőtt kihúzza a csatlakozót.

20. Soha ne kapcsolja be a készüléket, ha a víztartályban nincs víz.

21. Csak tiszta, hűvös vizet használjon.

22. Ne öntsön vizet a tartályba a maximális szint fölé.

23. Ne merítse a párástó alját. Ha víz ömlik a készülékre, azonnal húzza ki a csatlakozódugót és hagyja megszáradni.

24. Ne adjon vegyszereket a vízmedencébe, a víztartályba vagy a ködnyílásba. Ne adjon só, vízkötelenítő tablettát, port vagy tisztítószert a vízhez.

25. A ködnyílás és a víztartály fedelét mindig szorosan le kell zárni.

26. Győződjön meg arról, hogy a párástó ködnyílása nem közvetlenül a falakra, bútorokra, elektromos csatlakozókra, elektromos és elektronikus eszközökre vagy gyerekekre irányul. A helyiség túl magas páratartalma nedvesség felhalmozódásához vezethet, ami baktériumok és gombák növekedését okozhatja, valamint károsíthatja a falakat, bútorokat és háttérképeket.

27. Ne akadályozza a készülék szellőzését. Tartson legalább 20 cm távolságot a készüléktől. Ne zárja el a párástó vízköd kivezetését.

28. Ne használja a készüléket, ha fennáll a páralecsapódás veszélye. Nedvesség képződhet a készülék belsejében és kívül, ha:

- a készüléket hideg helyről meleg helyre helyezik,
- a fűtési rendszert éppen bekapcsolták,
- a készüléket magas páratartalmú helyiségben használják,
- a készüléket a légkondicionáló hűtőrendszer hűti.

Ha nedvesség kondenzálódik a készülékben, előfordulhat, hogy nem működik megfelelően, vagy extrém esetekben károsodhat. Ebben az esetben ne használja a készüléket, és hagyja néhány órán át száradni.

29. Működés közben ne döntse meg, ne fordítsa meg, és ne próbáljon vizet tölteni a gépből.
30. A párasító működése közben ne távolítsa el a tartályt a készülék aljáról.
31. A megtöltött víztartály nehéz. Hordozásakor tartsa alatta is.
32. Ne használjon párasítót, ha víz szivárog a készülék alól.
33. Ne hagyjon vizet a párasítóban, ha nem használják.
34. Kövesse a kézikönyvben található tisztítási utasításokat.
35. Soha ne hagyja, hogy ülepedés, nedvesség vagy víz maradjon a párasító alaptartályában (ez szennyeződést vagy akár az ultrahangos porlasztó károsodását okozhatja).
36. A készülék tartós működése során a párasító által kibocsátott vízköd a padlóra hullhat és nedvességet okozhat.
37. Ne emelje fel a víztartályt a vízköd-kimenetnél.
38. Tilos fémforgácsot, huzalt, tűket és egyéb idegen tárgyakat behelyezni a termékbe vagy a házrésekbe, különben áramütést vagy meghibásodást okozhat.
39. Ne feledje, hogy a magas páratartalom elősegítheti a biológiai élőlények és gombák szaporodását a környezetben.
40. A túl sok páratartalom a helyiségben nedvesség felhalmozódásához vezethet, ami károsíthatja a falakat, a bútorokat, a tapétákat és az egyéb elektromos készülékeket, mint a TV-t. Ne irányítsa a ködnyílást ilyen tárgyak közelébe.
41. Ne engedje, hogy a párasító környéke nedves vagy nedves legyen. Ha nedvesség jelentkezik, állítsa le a ködképződést. Ha a párapacitás nem csökkenthető, használja szakaszosan a párasítót. Ne hagyja, hogy nedvszívó anyagok, például szőnyegpadlók, függönyök, függönyök vagy abroszok nedvesek legyenek.
42. Ne takarja le a készüléket. Ne helyezzen semmilyen tárgyat a készülék tetejére. Ne használja a készüléket olyan programozóval, időzítővel vagy más eszközzel, amely automatikusan bekapcsolja a párasítót.

**Figyelmeztetés:** A víztartályban esetlegesen előforduló mikroorganizmusok a levegőbe kerülnek, ami nagyon komoly egészségügyi kockázatot jelent. Ennek elkerülése érdekében rendszeresen cserélje ki a vizet, és háromnaponta tisztítsa meg a tartályt.

**Figyelmeztetés:** A víztartályt háromnaponta ki kell üríteni és újratölteni. Újratöltés előtt tisztítsa meg friss vízzel, vagy ha a gyártó előírja, a rendelkezésre álló tisztítószerekkel. Távolítsa el a vízkövet, lerakódásokat vagy a tartály falán képződött filmréteget. Tisztítás után törölje szárazra az összes hozzáférhető felületet.

Az ultrahangos párasító ultrahangos nagyfrekvenciás oszcillációs elvet használ, a vizet 1-5 mikronos ultrafinom részecskékre porlasztják, majd a vízködöt a pneumatikus eszközön keresztül a levegőbe diffundálják, hogy elérjék a levegő egyenletes párasítását, a levegő frissítését, hidratálja a bőrt és javítja az egészséget.

Az első használat előtt

Amikor a készülék be van kapcsolva, ne érintse meg kézzel a porlasztó átalakítót (12), hogy elkerülje a sérüléseket.

Készülék leírása: Ultrahangos párasító

- |  |                                  |
|--|----------------------------------|
| 1. Víztöltő fedél  | 2. Víztartály fedele             |
| 3. Spray fúvóka  | 4. Aromaterápiás tartály         |
| 5. Pára légcsatorna  | 6. Víztartály                    |
| 7A. Bekapcsolás / Párabeállítás / Alvó üzemmód / Kikapcsoló gomb |                                  |
| 7B. Időzítő gomb   | 7C. Folyamatos páratartalom gomb |
| 8. Kijelző   | 9. Levegő bemenet                |
| 10. Kódkivezetés   | 11. Levegőkimenet                |
| 12. Porlasztó transzducer  | 13. Aromaterápiás pamutszivacs   |
| 14. Tisztítókefe   |                                  |

## VÍZFELTÖLTÉS – lásd a 7. ábrát

1. Helyezze a készüléket stabil, sima felületre. Ne felejtse el a vizet tölteni a kihúzott készülékbe.
2. Nyissa ki a vízbetöltő fedelét (2) a vízbetöltő fedéllel (1) együtt.
3. Ne feledje, hogy a páralevegő-csatornát (5) a víztartály belsejébe kell szerelni a víz hozzáadása előtt.
4. A víz hozzáadásakor ne fecskendezzen vizet a permetező fűvókába (3), és ne fecskendezzen vizet a ködkivezető nyílásba (10), valamint ne fecskendezzen vizet a levegőkimenetbe (9).
5. Ügyeljen arra, hogy ne lépje túl a levegőkimeneten (9) jelölt MAX (maximális) vízszintet - llok a 2. ábrán. Használjon tiszta csapvizet.
6. Zárja le a víztartály fedelét (2) a vízbetöltő fedéllel (1) együtt. Csatlakoztassa a készüléket.
7. Ha a készüléket nem tervezi használni, a vizet ki kell önteni a víztartályból (6).
8. A víz-fehér porból a vízkő kiválásának csökkentése érdekében opcionálisan vásárolhat ehhez a készülékhez AD7972.1 számú vízsűrőt a készülék eladójától.

## AROMATERÁPIA FUNKCIÓ

1. Vegye le a víztartály fedelét (1) a vízbetöltő fedéllel (1) együtt.
  2. Öntsön 2-3 csepp illóolajat egy aromaterápiás pamutszivacsra (13), és helyezze egy aromaterápiás edénybe (4). Nézze meg a 4. ábrát. Helyezzen egy aromaterápiás tartályt (4) a párkivezető nyílás (10) tetejére. A szép illat köddel együtt kerül kiosztásra.
- FIGYELEM:** CSAK vízdíszítő illóolajok alkalmasak ehhez a készülékhez.
3. NE csepegtesse az illóolajokat közvetlenül a vízbe.

## MŰVELET

1. Csatlakoztatás után a készülék hangjelzést ad, és a készülék készenléti állapotba kerül.
2. A készülék bekapcsolásához nyomja meg egyszer a bekapcsoló gombot (7A). Az alapértelmezett köderősség alacsony szintre van állítva, a kijelzőn (8) két sor látható (9B. ábra). Nyomja meg ismételt ez a gombot (7A) az üzemmódok közepes ködkibocsátási szintre (9C. ábra), nagy köderősségre (9D. ábra), alvó üzemmódra (9D. ábra) vagy a készülék kikapcsolásához (9E. ábra).

## VÍZHIÁNY VÉDELEM

Amikor a készülék működik, a beépített rugó érzékeli a vízhiányt. Ezután a készülék leáll, a kijelzőn (8) az „EE” felirat látható és villog 5 másodpercig, és 3 hangjelzést fog hallani. Ezt követően a készülék készenléti állapotba kerül. A víz hozzáadása után nyomja meg a bekapcsoló gombot (7A), ekkor a készülék normálisan működhet.

## ALVÁS ÜZEMMÓD BEÁLLÍTÁSA

A készülék 5 percig közepes ködteljesítményen fog működni, és 5 percig szünetelteti a ködkibocsátást, majd 5 percig működik és 10 percig szünetel; ezután 5 percig működik és 15 percig szünetel, a további működés ebben a ciklusban folytatódik. Alvó üzemmódban a kijelző (8) elhalványul – nézze meg a 9E ábrát.

## IDŐZÍTŐ BEÁLLÍTÁSA

Az alapértelmezett beállítás nulla óra. Működés közben nyomja meg többször az időzítő gombot (7B) az időzítő működési időtartamának kiválasztásához: 1 óra vagy 2 óra vagy 4 óra vagy 6 óra, vagy nyomja meg újra az időzítő funkció kikapcsolásához – nézze meg a 4. ábrát. Az időzítő funkció leállítja a működést a készüléket meghatározott idő elteltével.

## PÁRASZINT BEÁLLÍTÁSA

A készülék működése közben nyomja meg a folyamatos páratartalom gombot (7C), a páratartalom értéket a relatív páratartalom 40-90%-a tartományban állíthatja be, minden ismételt megnyomás 5%-kal növekszik. Ha a páratartalom be van állítva, a készülék folyamatosan párasítja a kívánt párasítási szintet. A kívánt páratartalom elérése után a készülék készenléti állapotba lép, és leállítja a ködpermetezést, amíg a környezeti páratartalom 5%-kal a kívánt párasítási szint alá csökken. Ebben az esetben a készülék automatikusan újraindítja a ködpermetezést. Nézd meg az 5. ábrát.

## TISZTÍTÁS ÉS KARBANTARTÁS

1. Tisztítás előtt húzza ki a készüléket. Ha maradt egy kis víz a víztartályban (6), akkor azt a víztartály (6) megdöntésével kell kiönteni. **FIGYELEM:** Fontos probléma a víztartály (6) helyes helyzete a víz kiöntése közben. A helyes helyzet akkor érhető el, ha a levegőkimenet (9) szárazon marad, és a vízáramot a víztartály (6) másik szélé vezeti.

2. Tisztítsa meg a víztartályt 3 naponta.

3. A készülék egy ideig tartó használat után könnyen megjelenik rajta a vízkő és a „fehér por” jelenség, egy porlasztó jelátalakító (12) felületére rögzítik, befolyásolva a párasítási hatékonyságot. A fő alkatrészeket rendszeresen meg kell tisztítani. A fő alkatrészek tisztításához nézze meg a 6. ábrát.

\* Nyissa ki a víztartály fedelét (2), szerelje szét a ködlevégő-csatornát (5) az óramutató járásával ellentétes irányba forgatva – nézze meg a 6A ábrát.

\* Puha ruhával törölje le a víztartály (6) belsejét és a páras légcsatornát (5) – nézze meg a 6B ábrát.

\* Adjon hozzá megfelelő mennyiségű vizet, tisztítsa meg a készüléket a tisztítókefével (14) – nézze meg a 6C. ábrát.

\* Törölje le a porlasztó jelátalakítót (12) citromsavoldattal megtapasztalt vattacsomóval.

4. Ne használjon éles, kemény edényeket a porlasztó megérintéséhez.

5. Ne használjon mosószert a tisztításhoz, a klánvíz jobb. Ezután szárítsa meg az elemeket puha ruhával, és szerelje fel a páras

légcsatomát (5) az óramutató járásával megegyező irányba forgatva.

6. A készülékház külső felülete nedves ruhával tisztítható, majd tiszta ruhával szárazra törölhető. Ne használjon vegyi oldószereket, benzint, kerozint vagy polirozóport a felület letörléséhez.

7. Tisztítás közben ne engedje, hogy víz kerüljön a ház belsejébe, hogy elkerülje a belső alkatrészek meghibásodását.

8. Minden következő használat előtt tisztítsa meg a készüléket.

## TÁROLÁS

1. A szezonális tároláshoz a készüléknek üresnek, megtisztítottnak és száraznak kell lennie.

2. Tárolás zsákban, por elleni védelem érdekében, száraz helyen.

## HIBAELHÁRÍTÁS

Ha az eszköz nem működik megfelelően, ellenőrizze a következő lehetséges okokat, mielőtt elküldi az értékesítés utáni szervizhez, hogy saját maga megoldja a problémákat.

I. PROBLÉMA: a kijelző (8) nem világít.

AZ I. PROBLÉMA LEHETSÉGES OKÁ: a tápfeszültség nincs megfelelően bedugva.

AZ I. PROBLÉMA MEGOLDÁSA: dugja be a tápkábelt és kapcsolja be.

PROBLÉMA II.: víz van a tartályban, a piros lámpa villog a készülék bekapcsolásakor

A II. PROBLÉMA LEHETSÉGES OKA: túl nagy a skála a porlasztó átalakítón (12)

A II. PROBLÉMA MEGOLDÁSA: tisztítsa meg a porlasztó jelátalakítón (12) felgyülemlett vízkövet.

III. PROBLÉMA: túl kicsi a porlasztási mennyiség

A III. PROBLÉMA LEHETSÉGES OKA:

IIIa. Túl sok fehér skála van a porlasztó jelátalakítón (12)

IIIb. A víz túl piszkos, vagy túl sokáig tárolva van

IIIc. A köd mennyisége alacsony szinten volt beállítva

A III. PROBLÉMA MEGOLDÁSA:

IIIa. tisztítsa meg a fehér vízkövet egy porlasztó átalakítón (12)

IIIb. Váltás tiszta vízre

IIIc. Állítson be közepes vagy magas páraszintet

IV. PROBLÉMA: Rendellenes zaj

A IV. PROBLÉMA LEHETSÉGES OKA:

IVa. Túl kevés víz van a víztartályban

IVb. Az asztal felületével ütközik, és rezgéseket okoz

A IV. PROBLÉMA MEGOLDÁSA:

IVa. Adj hozzá vizet

IVb. Helyezze a készüléket szilárd, sima felületre

V. PROBLÉMA: Különös ködsszag

A II. PROBLÉMA LEHETSÉGES OKA: A víztartályban lévő víz nem tiszta, vagy sokáig tárolták

A II. PROBLÉMA MEGOLDÁSA: Tisztítsa meg a víztartályt, szárítsa meg, majd adjon hozzá tiszta vizet

## MŰSZAKI IDŐPONT:

Teljesítmény: 23W

Tápellátás: 220-240V ~50-60Hz

Víztartály kapacitása : 4 liter



A környezet védelme érdekében kérjük külön karton dobozok és műanyag zsákokat és dobja őket a megfelelő hulladék közé. Használt készüléket kell eljuttatni a kijelölt gyűjtőhelyekre miatt veszélyes elemek alkatrészeket, amelyek hatással lehetnek a környezetre. Ne dobja a készüléket a közös szemétkosárba.

## македонски

### ОПШТИ УСЛОВИ ЗА БЕЗБЕДНОСТ

ВАОРТНИ УПАТСТВА ЗА БЕЗБЕДНОСТ ПРОЧИТАЈТЕ ВНИМАНИЕ и заштедете за иднината

Гарантните услови се различни, доколку уредот се користи за комерцијална намена.

1. Пред употреба на производот, прочитајте внимателно и секогаш почитувајте ги следниве упатства. Производителот не одговара за штети предизвикани од

користење на уредот спротивно на неговата намена или неправилно работење.

2. Уредот е наменет само за домашна употреба. Не користете за други цели што не се за наменетата.

3. Уредот треба да биде поврзан само со приклучок 220-240 V ~ 50/60 Hz.

4. Посебно внимавајте кога го користите уредот кога децата се во близина. Не дозволувајте деца да си играат со уредот, не дозволувајте деца или луѓе кои не се запознаени со уредот да го користат.
5. ПРЕДУПРЕДУВАЕ: Оваа опрема може да ја користат деца над 8-годишна возраст и лица со ограничена физичка, сетилна или ментална способност или луѓе кои немаат искуство или познавање на опремата, доколку тоа се прави под надзор на одговорно лице за нивната безбедност или им се дадени информации за безбедно користење на уредот и се свесни за опасностите од неговото користење. Децата не треба да си играат со опремата. Чистење и одржување на уредот не треба да го вршат деца, освен ако тие се постари од 8 години и овие активности се вршат под надзор.
6. Секогаш извадете го приклучокот од приклучокот за напојување по употреба држејќи го приклучокот со раката. НЕ влечете го кабелот за напојување.
7. Не потопувајте го кабелот, приклучокот, основата и целиот уред во вода или која било друга течност. Не го изложувајте уредот на атмосферски услови (дожд, сонце, итн.) Или го користите во услови на висока влажност (бањи, влажни подвижни домови).
8. Периодично проверувајте ја состојбата на кабелот за напојување. Ако кабелот за напојување е оштетен, треба да го замени специјалист во центар за поправка за да избегне опасност.
9. Не користете го уредот со оштетен кабел за напојување или ако е паднат или оштетен на кој било друг начин или ако не работи правилно. Не поправајте го уредот самостојно, бидејќи постои ризик од електричен удар. Однесете го оштетениот уред во соодветен сервисен центар за проверка или поправка. Сите поправки можат да се вршат само од овластени сервисни точки. Неправилно извршените поправки можат да предизвикаат сериозна опасност за корисникот.
10. Ставете го уредот на ладна, стабилна површина, подалеку од врели кујнски апарати како што се електричен шпорет, горилник за гас, итн.
11. Не користете го уредот во близина на запаливи материјали.
12. Кабелот за напојување може да не виси над работ на масата или да допира врели површини.
13. Никогаш не го оставајте производот поврзан со изворот на напојување без надзор. Дури и кога употребата е прекината за кратко време, исклучете ја од мрежата, исклучете ја струјата.
14. За да се обезбеди дополнителна заштита, препорачливо е да се инсталира уред за преостаната струја (RCD) во електричното коло со номинална преостаната струја што не надминува 30 mA. Побарајте електричар за ова.
15. Не користете го уредот во близина на вода, на пр. ... во туш када, када или над сливот со вода
16. Кога апаратот се користи во бања, извадете го приклучокот од приклучокот по употреба, бидејќи непосредна близина на вода претставува опасност дури и кога апаратот е исклучен.
17. Не дозволувајте уредот да се навлажни. Во случај уредот да падне во вода, веднаш извадете го приклучокот од wallидниот штекер. Не ставајте ги рацете во вода кога машината е поврзана на мрежата. Мора да го провери квалификуван електричар пред да го користите повторно.
18. Не држете го уредот со влажни раце.
19. Секогаш исклучувајте го уредот по секоја употреба. Исклучете го напојувањето пред да го исклучите од струја.
20. Никогаш не вклучувајте го уредот без вода во резервоарот за вода.
21. Користете само чиста, ладна вода.
22. Не истурајте вода во резервоарот над максималното ниво.
23. Не ја потопувајте основата на овлажнител. Ако водата се излеа на уредот, веднаш исклучете го од струја и оставете да се исуши.
24. Не додавајте никакви хемикалии во сливот на водата, резервоарот за вода или

излезот за магла. Не додавајте соли, таблети за дескалирање, прав или супстанции за чистење во водата.

25. Влезот за магла и капакот на резервоарот за вода секогаш треба да бидат добро затворени.

26. Проверете дали излезот за магла на овлажнителот не е насочен директно кон wallsидови, мебел, електрични приклучоци, електрични и електронски уреди или деца. Премногу висока влажност во просторијата може да доведе до акумулација на влага, предизвикувајќи раст на бактерии и габи и оштетување на wallsидовите, мебелот и тапетите.

27. Не блокирајте ја вентилацијата на уредот. Чувајте растојание од најмалку 20 см од уредот. Не блокирајте го излезот на магла за вода на овлажнител.

28. Не користете го уредот ако постои ризик од кондензација. Влагата може да се формира однатре и од надворешната страна на уредот кога:

- уредот е преместен од студено на топло место,

- системот за греење штотуку е вклучен,

- уредот се користи во просторија со висока влажност,

- уредот се лади со системот за ладење на климатизацијата.

Кога се појавува кондензација на влага во уредот, може да не работи правилно или да се оштети во екстремни случаи. Во овој случај, не користете го уредот и оставете го да се исуши неколку часа.

29. Не навалувајте, свртувајте или обидувајте се да надополнувате или да истурате вода од машината за време на работата.

30. Не вадете го резервоарот од основата на уредот за време на работата на овлажнителот.

31. Пополнетиот резервоар за вода е тежок. Кога го носите, чувајте го и под него.

32. Не користете овлажнител ако најдете протекување вода од под уредот.

33. Не оставајте вода во овлажнител кога не се користи.

34. Следете ги упатствата за чистење во овој прирачник.

35. Никогаш не дозволувајте таложење, влага или вода да останат во основниот резервоар за навлажнувач (ова може да предизвика контаминација или дури и оштетување на ултразвучниот атомизатор).

36. За време на продолжената работа на уредот, водената магла што ја испушта овлажнител може да падне на подот и да предизвика влага.

37. Не кревајте го резервоарот за вода покрај излезот на магла за вода.

38. Забрането е вметнување метални чипови, жица, игли и други странски предмети во производот или во празнините на куќиштето, во спротивно може да предизвика електричен удар или дефект.

39. Бидете свесни дека високото ниво на влажност може да поттикне раст на биолошки организми и габи во животната средина.

40. Премногу влага во просторијата може да доведе до акумулација на влага што предизвикува штета на wallsидовите, мебелот, позадината и другите електрични апарати како ТВ. Не го насочувајте излезот на магла близу до такви предмети.

41. Не дозволувајте областа околу овлажнителот да стане влажна или влажна. Ако се појави влага, намалете го производството на магла. Ако капацитетот на магла не може да се намали, користете го овлажнителот наизменично. Не дозволувајте абсорбентни материјали, како што се теписи, завеси, завеси или покривки за маса, да станат влажни.

42. Не покривајте го уредот. Не ставајте никакви предмети на горниот дел од уредот.

43. Не користете го уредот во соработка со програмер, тајмер или друг уред што автоматски го вклучува овлажнителот.

Предупредување: Микроорганизмите кои може да се присутни во резервоарот за вода ќе бидат издувани во воздухот, предизвикувајќи многу сериозна опасност по здравјето. За да го спречите тоа, редовно менувајте ја водата и чистете го резервоарот на секои три дена.

**Предупредување:** Резервоарот за вода треба да се празни и да се полни на секои три дена. Пред повторно полнење, исчистете го со свежа вода или користејќи достапни детергенти доколку тоа го бара производителот. Отстранете ја бигорот, наслагите или филмот што се формирал на сидовите на резервоарот. По чистењето, исушете ги сите достапни површини.

Ултразвучниот овлажнител користи ултразвучен принцип на осцилација со висока фреквенција, водата се атомизира во ултра фини честички од 1-5 микрони, потоа водната магла се дифузира во воздухот преку пневматскиот уред, за да се постигне целта за рамномерно навлажување на воздухот, освежувачки воздух , навлажување на кожата и подобрување на здравјето.

Пред првата употреба

Кога уредот е вклучен, ве молиме не допирајте со рака трансдучерот за атомизирање (12) за да избегнете повреда.

Опис на уредот: Ултразвучен навлажувач

- |   |                                     |
|---|-------------------------------------|
| 1.Капак за полнење вода   | 2.Капак на резервоарот за вода      |
| 3.Млазница за прскање   | 4.Контејнер за ароматерапија        |
| 5.Магла воздушен канал  | 6.Резервоар за вода                 |
| 7А. Вклучување / Подесување на магла / Режим на спиење / Копче за исклучување | 7С. Копче за континуирана влажност  |
| 7Б. Копче за тајмер   | 9.Влез за воздух                    |
| 8.Екран   | 11.Излез за воздух                  |
| 10.Излез за магла   | 13. Памучен сунѓер за ароматерапија |
| 12. Трансдучер за атомизирање   |                                     |
| 14. Четка за чистење  |                                     |

**ПОЛНЕЊЕ ВОДА** – погледнете на слика 7

1. Ставете го уредот на стабилна, рамна површина. Не заборавате да ја наполните водата на исклучениот уред.
2. Отворете го капакот за полнење вода (2) заедно со капакот за полнење вода (1).
3. Запомнете дека воздушниот канал за магла (5) треба да се инсталира во резервоарот за вода пред да се додаде вода.
4. Кога ја додавате водата, не вбригувајте вода во прскалната (3) и не вбригувајте вода во излезот за магла (10), како и не вбригувајте вода во отворот за воздух (9).
5. Внимавајте да не го надминувате MAX (максималното) ниво на водата означено на излезот за воздух (9) - на сликата 2. Користете чиста вода од чешма.
6. Затворете го капакот на резервоарот за вода (2) заедно со капакот за полнење вода (1). Приклучете го уредот.
7. Кога уредот не се планира да се користи, водата треба да се истури од резервоарот за вода (6).
8. За да ги намалите врнежите од варовник од водата - бел прав, опционално можете да купите филтер за вода за овој уред со број AD7972.1 од продавачот на овој уред.

**ФУНКЦИЈА НА АРОМАТЕРАПИЈА**

1. Извадете го капакот на резервоарот за вода (1) заедно со капакот за полнење вода (1).
2. Истурете 2-3 капки есенцијално масло на памучен сунѓер за ароматерапија (13) и ставете го во сад за ароматерапија (4). Погледнете ја сликата 4. Ставете сад за ароматерапија (4) на врвот од излезот за магла (10). Убавиот мирис ќе се дели заедно со магла.

**ВНИМАНИЕ:** САМО етерични масла растворливи во вода се погодни за овој уред.

3. НЕ капете етерични масла директно во вода.

**ОПЕРАЦИЈА**

1. Откако ќе го приклучите уредот дава звучен сигнал и уредот влегува во состојба на мирување.
2. За да го вклучите уредот притиснете еднаш на копчето за вклучување (7А). Стандардната јачина на магла е поставена на ниско ниво, на екранот (8) ќе видите две линии (Слика 9Б). Притискајте го ова копче (7А) повеќепати за да ги менувате режимите на излезно ниво на средна магла (слика 9С), висока јачина на магла (слика 9Д), режим на мирување (слика 9Д) или пак исклучете го уредот (слика 9Е).

**ЗАШТИТА ОД НЕДОСТАТОК ВОДА**

Кога уредот работи, вградена пружина открива недостаток на вода. Тогаш уредот престанува да работи, екранот (8) ќе покаже „EE“ и трепка 5 секунди и ќе слушнете 3 звучни сигнали. По ова, уредот влегува во состојба на подготвеност. Откако ќе ја додадете водата, притиснете го копчето за вклучување (7А), тогаш уредот може да работи нормално.

**ПОСТАВУВАЊЕ РЕЖИМ НА СПИЕЊЕ**

Уредот ќе работи на излез од средна магла 5 минути и ќе го паузира излезот на магла 5 минути, потоа работи 5 минути и ќе



паузира 10 минути; потоа ќе работи 5 минути и ќе паузира 15 минути, понатамошната работа ќе продолжи во таков циклус. Во режим на мирување, екранот (8) е затемнет - погледнете на Слика 9E.

## ПОСТАВУВАЊЕ НА ТАЈМЕР

Стандардната поставка е нула часови. За време на работата, притискајте го копчето за тајмер (7B) повеќепати за да изберете еден од периодот на работа на тајмерот: 1 час или 2 часа или 4 часа или 6 часа или притиснете повторно за да ја исклучите функцијата на тајмерот – погледнете на Слика 4. Функцијата на тајмерот ја прекинува операцијата на уредот по изминат одреден период.

## ПОСТАВУВАЊЕ НА НИВО НА ВЛАЖНОСТ

За време на работата на уредот притиснете го копчето за континуирана влажност (7C), можете да ја поставите вредноста на влажноста во опсег од 40-90% од релативната влажност, секое повторено притискање ќе се зголемува со вредност од 5%. Кога е поставено нивото на влажност, уредот постојано се навлажнува до посакуваното ниво на влажност. Откако ќе го достигне посакуваното ниво на навлажнување, уредот влегува во состојба на подготвеност и престанува да ја прска маглата додека нивото на влажност на околината не се намали на 5% под посакуваното ниво на навлажнување. Во таков случај, уредот повторно автоматски почнува да ја прска маглата. Погледнете ја сликата 5.

## ЧИСТЕЊЕ И ОДРЖУВАЊЕ

1. Исклучете го уредот пред чистење. Ако има уште малку вода во резервоарот за вода (6), таа треба да се истури со навалување на резервоарот за вода (6).

**ВНИМАНИЕ:** Важен проблем е правилната положба на резервоарот за вода (6) додека водата се излева. Правилната положба се постигнува кога излезот за воздух (9) останува сув, а протокот на вода се води од спротивниот раб на резервоарот за вода (6).

2. Чистете го резервоарот за вода на секои 3 дена.

3. Откако уредот се користи одредено време, лесно е да се појави скала и да се формира феноменот „бел прав“, тој е прикачен на површината на атомизирачки трансдуктор (12), што влијае на ефикасноста на навлажнување. Неопходно е редовно да се чистат главните компоненти. За чистење на главните компоненти, погледнете на Слика 6.

\* Отворете го капакот на резервоарот за вода (2), расклопете го воздушниот канал за магла (5) со ротирање спротивно од стрелките на часовникот - погледнете на Слика 6A.

\* Избришете ја внатрешноста на резервоарот за вода (6) и каналот за воздух за магла (5) со мека крпа – погледнете на Слика 6B.

\* Додадете соодветна количина на вода, исчистете го уредот со четката за чистење (14) - погледнете на Слика 6B.

\* Избришете го претворувачот за атомизирање (12) со памучно стапче залепено со раствор од лимонска киселина.

4. Не користете остри тврди прибор за допирање на атомизаторот.

5. Не користете детергент за чистење, кланската вода е подобра. Следни суви елементи со мека крпа, инсталирајте го каналот за воздух за магла (5) со ротација во насока на стрелките на часовникот.

6. Надворешната површина на куќиштето на уредот може да се исчисти со влажна крпа, а потоа да се избрише со чиста крпа. Не користете хемиски растворувачи, бензин, керозин или прашок за полирање за да ја избришете површината.

7. Не дозволувајте водата да влезе во куќиштето кога чистите за да избегнете дефект на внатрешните компоненти.

8. Чистете го уредот пред секоја следна употреба.

## СКЛАДИРАЊЕ

1. За сезонско складирање уредот треба да биде празен, исчистен и сув.

2. Складирање во кеса за да се спречи прав, на суво место.

## РЕШАВАЊЕ НА ПРОБЛЕМИ

Ако уредот не работи правилно, проверете со следните можни причини пред да го испратите до сервисот по продажба за сами да ги решите проблемите.

**ПРОБЛЕМ I.:** дисплејот (8) не е вклучен.

**МОЖНА ПРИЧИНА ЗА ПРОБЛЕМ I:** напојувањето не е правилно приклучено.

**РЕШЕНИЕ НА ПРОБЛЕМ I:** приклучете го кабелот за напојување и вклучете го напојувањето.

**ПРОБЛЕМ II.:** има вода во резервоарот, црвеното светло трепка кога уредот е вклучен

**МОЖНА ПРИЧИНА ЗА ПРОБЛЕМ II:** има премногу бигор на трансдукторот за атомизирање (12)

**РЕШЕНИЕ НА ПРОБЛЕМОТ II:** исчистете ја вагата што се акумулира на трансдукторот за атомизирање (12)

**ПРОБЛЕМ III.:** количината на атомизација е премала

**МОЖНА ПРИЧИНА ЗА ПРОБЛЕМ III:**

IIIa. Има премногу бели скали на трансдукторот за атомизирање (12)

IIIб. Водата е премногу валкана или премногу долго складирана

IIIc. Јачината на маглата беше поставена на ниско ниво

**РЕШЕНИЕ НА ПРОБЛЕМ III:**

IIIa. исчистете го белиот варовник на трансдуктор за атомизирање (12)

IIIб . Промени во чиста вода

IIIс. Поставете средно или високо ниво на магла

ПРОБЛЕМ IV.: Абнормален шум

МОЖНА ПРИЧИНА ЗА ПРОБЛЕМ IV:

IVa . Во резервоарот за вода има премногу помалку вода

IVb . Се судира со површината на масата и создава нервоза

РЕШЕНИЕ НА ПРОБЛЕМ IV:

IVa . додадете вода

IVb . Ставете го уредот на цврста, мазна површина

ПРОБЛЕМ V: Необичен мирис на магла

МОЖНА ПРИЧИНА ЗА ПРОБЛЕМ II: Водата во резервоарот за вода не е чиста или се чувала долго време

РЕШЕНИЕ НА ПРОБЛЕМ II: Источистете го резервоарот за вода, исушете го, потоа додадете чиста вода

ТЕХНИЧКИ ДАТУМ:

Моќност: 23 W

Напојување: 220-240V ~50-60Hz

Капацитет на резервоарот за вода : 4 литри



За да се заштитат вашата околина: ве молиме одделни кутии и пластични кеси и да располага со нив во соодветните канти за отпадоци. Користи апаратот треба да биде предаден на посветен собирање поени поради hazardous компоненти, кои можат да влијаат на животната средина. Не фрлајте овој апарат во заедничката корпа за отпадоци.

## ΕΛΛΗΝΙΚΑ

### ΓΕΝΙΚΟΙ ΟΡΟΙ ΑΣΦΑΛΕΙΑΣ

### ΣΗΜΑΝΤΙΚΕΣ ΟΔΗΓΙΕΣ ΑΣΦΑΛΕΙΑΣ ΔΙΑΒΑΣΤΕ ΠΡΟΣΕΚΤΙΚΑ ΚΑΙ ΦΥΛΑΞΤΕ ΓΙΑ ΜΕΛΛΟΝ

Οι όροι еγγύησης είναι διαφορετικοί, εάν η συσκευή χρησιμοποιείται για εμπορικούς σκοπούς.

1. Πριν χρησιμοποιήσετε το προϊόν, διαβάστε προσεκτικά και ακολουθήστε πάντα τις ακόλουθες οδηγίες. Ο κατασκευαστής δεν φέρει καμία ευθύνη για ζημιές που προκλήθηκαν από τη χρήση της συσκευής σε αντίθεση με τον προβλεπόμενο σκοπό ή την ακατάλληλη λειτουργία.
2. Η συσκευή προορίζεται μόνο για οικιακή χρήση. Μην το χρησιμοποιείτε για άλλους σκοπούς που δεν προορίζονται για τον επιδιωκόμενο σκοπό.
3. Η συσκευή πρέπει να είναι συνδεδεμένη μόνο σε πρίζα 220-240 V ~ 50/60 Hz.
4. Προσέξτε ιδιαίτερα όταν χρησιμοποιείτε τη συσκευή όταν τα παιδιά βρίσκονται κοντά. Μην επιτρέπετε στα παιδιά να παίζουν με τη συσκευή, μην επιτρέπετε σε παιδιά ή άτομα που δεν είναι εξοικειωμένα με τη συσκευή να τη χρησιμοποιούν.
5. ΠΡΟΕΙΔΟΠΟΙΗΣΗ: Αυτός ο εξοπλισμός μπορεί να χρησιμοποιηθεί από παιδιά άνω των 8 ετών και άτομα με περιορισμένη σωματική, αισθητηριακή ή διανοητική ικανότητα ή άτομα που δεν έχουν εμπειρία ή γνώση του εξοπλισμού, εάν αυτό γίνεται υπό την επίβλεψη υπευθύνου ατόμου. για την ασφάλειά τους ή τους έχουν δοθεί πληροφορίες σχετικά με την ασφαλή χρήση της συσκευής και γνωρίζουν τους κινδύνους από τη χρήση της. Τα παιδιά δεν πρέπει να παίζουν με τον εξοπλισμό. Ο καθαρισμός και η συντήρηση της συσκευής δεν πρέπει να πραγματοποιούνται από παιδιά, εκτός εάν είναι άνω των 8 ετών και αυτές οι δραστηριότητες πραγματοποιούνται υπό την επίβλεψη.
6. Αφαιρέστε πάντα το βύσμα από την πρίζα μετά τη χρήση κρατώντας την πρίζα με το χέρι σας. ΜΗΝ τραβάτε το καλώδιο τροφοδοσίας.
7. Μην βυθίζετε το καλώδιο, το βύσμα, τη βάση και ολόκληρη τη συσκευή σε νερό ή

οποιοδήποτε άλλο υγρό. Μην εκθέτετε τη συσκευή σε ατμοσφαιρικές συνθήκες (βροχή, ήλιο κ.λπ.) και μην τη χρησιμοποιείτε σε συνθήκες υψηλής υγρασίας (μπάνια, υγρές τροχοβίλες).

8. Ελέγχετε περιοδικά την κατάσταση του καλώδιου τροφοδοσίας. Εάν το καλώδιο τροφοδοσίας είναι κατεστραμμένο, θα πρέπει να αντικατασταθεί από έναν ειδικό στο κέντρο επισκευής για να αποφύγετε τον κίνδυνο.

9. Μην χρησιμοποιείτε τη συσκευή με κατεστραμμένο καλώδιο τροφοδοσίας ή εάν έχει πέσει ή έχει υποστεί ζημιά με οποιοδήποτε άλλο τρόπο ή εάν δεν λειτουργεί σωστά. Μην επισκευάζετε μόνοι σας τη συσκευή, καθώς υπάρχει κίνδυνος ηλεκτροπληξίας. Μεταφέρετε τη χαλασμένη συσκευή σε κατάλληλο κέντρο σέρβις για έλεγχο ή επισκευή. Όλες οι επισκευές μπορούν να πραγματοποιούνται μόνο από εξουσιοδοτημένα σημεία σέρβις. Οι επισκευές που δεν έχουν γίνει σωστά μπορούν να προκαλέσουν σοβαρό κίνδυνο για τον χρήστη.


10. Τοποθετήστε τη συσκευή σε μια δροσερή, σταθερή επιφάνεια, μακριά από θερμές συσκευές κουζίνας, όπως ηλεκτρική κουζίνα, καυστήρα αερίου κ.λπ.

11. Μην χρησιμοποιείτε τη συσκευή κοντά σε εύφλεκτα υλικά.

12. Το καλώδιο τροφοδοσίας ενδέχεται να μην κολλάει στην άκρη ενός τραπεζιού ή να αγγίζει τις ζεστές επιφάνειες.

13. Μην αφήνετε ποτέ το προϊόν συνδεδεμένο στην πηγή τροφοδοσίας χωρίς επίβλεψη. Ακόμα και όταν η χρήση διακόπτεται για μικρό χρονικό διάστημα, απενεργοποιήστε την από το δίκτυο, αποσυνδέστε το ρεύμα.

14. Για την παροχή πρόσθετης προστασίας, συνιστάται η εγκατάσταση συσκευής υπολειπόμενου ρεύματος (RCD) στο ηλεκτρικό κύκλωμα με ονομαστικό ρεύμα υπολειπόμενου ρεύματος που δεν υπερβαίνει τα 30 mA. Ρωτήστε έναν ηλεκτρολόγο για αυτό.

 15. Μην χρησιμοποιείτε τη συσκευή κοντά σε νερό, π.χ. ... στο ντους, μπανιέρα ή πάνω από το νιπτήρα με νερό.

16. Όταν η συσκευή χρησιμοποιείται σε μπάνιο, αφαιρέστε το βύσμα από την πρίζα μετά τη χρήση, καθώς η εγγύτητα του νερού είναι επικίνδυνη ακόμα και όταν η συσκευή είναι απενεργοποιημένη.

17. Μην αφήνετε τη συσκευή να βραχεί. Σε περίπτωση που η συσκευή πέσει στο νερό, αφαιρέστε αμέσως το φις από την πρίζα. Μην βάζετε τα χέρια σας στο νερό όταν το μηχάνημα είναι συνδεδεμένο στο δίκτυο. Πρέπει να ελεγχθεί από εξειδικευμένο ηλεκτρολόγο πριν το χρησιμοποιήσετε ξανά.

18. Μην κρατάτε τη συσκευή με βρεγμένα χέρια.

19. Απενεργοποιείτε πάντα τη συσκευή μετά από κάθε χρήση. Απενεργοποιήστε το ρεύμα πριν από την αποσύνδεση.

20. Ποτέ μην ενεργοποιείτε τη συσκευή χωρίς νερό στη δεξαμενή νερού.

21. Χρησιμοποιήστε μόνο καθαρό, δροσερό νερό.

22. Μην ρίχνετε νερό στη δεξαμενή πάνω από το μέγιστο επίπεδο.

23. Μην βυθίζετε τη βάση του υγραντήρα. Εάν χυθεί νερό στη συσκευή, αποσυνδέστε

αμέσως και αφήστε το να στεγνώσει.

24. Μην προσθέτετε χημικά στη λεκάνη νερού, στη δεξαμενή νερού ή στην έξοδο ομίχλης. Μην προσθέτετε άλατα, δισκία αφαλάτωσης, σκόνες ή καθαριστικές ουσίες στο νερό.

25. Το κάλυμμα της εισόδου ομίχλης και της δεξαμενής νερού πρέπει πάντα να είναι καλά κλειστό.

26. Βεβαιωθείτε ότι η έξοδος ομίχλης του υγραντήρα δεν κατευθύνεται απευθείας σε τοίχους, έπιπλα, ηλεκτρικές πρίζες, ηλεκτρικές και ηλεκτρονικές συσκευές ή παιδιά. Η υπερβολική υγρασία σε ένα δωμάτιο μπορεί να οδηγήσει σε συσσώρευση υγρασίας, προκαλώντας ανάπτυξη βακτηρίων και μυκήτων και ζημιά στους τοίχους, τα έπιπλα και τις ταπετσαρίες.

27. Μην εμποδίζετε τον εξαερισμό της συσκευής. Διατηρήστε απόσταση τουλάχιστον 20 cm από τη συσκευή. Μην φράζετε την έξοδο υγραντήρα υγραντήρα.

28. Μην χρησιμοποιείτε τη συσκευή εάν υπάρχει κίνδυνος συμπύκνωσης. Η υγρασία μπορεί να σχηματιστεί στο εσωτερικό και το εξωτερικό της συσκευής όταν:

- η συσκευή μετακινείται από κρύο σε ζεστό μέρος,
- το σύστημα θέρμανσης μόλις ενεργοποιήθηκε,
- η συσκευή χρησιμοποιείται σε δωμάτιο με υψηλή υγρασία,
- η συσκευή ψύχεται από το σύστημα ψύξης του κλιματισμού.

Όταν συμβαίνει συμπύκνωση υγρασίας στη συσκευή, ενδέχεται να μην λειτουργεί σωστά ή μπορεί να καταστραφεί σε ακραίες περιπτώσεις. Σε αυτήν την περίπτωση, μην χρησιμοποιείτε τη συσκευή και αφήστε την να στεγνώσει για μερικές ώρες.

29. Μην γέρνετε, αναποδογυρίζετε ή μην προσπαθείτε να γεμίσετε ή να ρίξετε νερό από το μηχάνημα κατά τη λειτουργία.

30. Μην αφαιρείτε τη δεξαμενή από τη βάση της συσκευής κατά τη λειτουργία του υγραντήρα.

31. Το γεμάτο δοχείο νερού είναι βαρύ. Όταν το μεταφέρετε, κρατήστε το και κάτω.

32. Μην χρησιμοποιείτε υγραντήρα εάν εντοπίσετε διαρροές νερού κάτω από τη συσκευή.

33. Μην αφήνετε νερό στον υγραντήρα όταν δεν χρησιμοποιείται.

34. Ακολουθήστε τις οδηγίες καθαρισμού σε αυτό το εγχειρίδιο.

35. Ποτέ μην αφήνετε την καθίζηση, την υγρασία ή το νερό να παραμείνει στη δεξαμενή βάσης υγραντήρα (αυτό μπορεί να προκαλέσει μόλυνση ή ακόμη και ζημιά στον υπερηχητικό ψεκαστήρα)

36. Κατά τη διάρκεια παρατεταμένης λειτουργίας της συσκευής, η υδρονέφωση που εκπέμπεται από τον υγραντήρα μπορεί να πέσει στο πάτωμα και να προκαλέσει υγρασία.

37. Μην σηκώνετε τη δεξαμενή νερού από την έξοδο υδρονέφωσης.

38. Απαγορεύεται η εισαγωγή μεταλλικών τσιπ, σύρματος, βελόνων και άλλων ξένων αντικειμένων στο προϊόν ή στα κενά περιβλήματος, διαφορετικά μπορεί να προκαλέσει ηλεκτροπληξία ή δυσλειτουργία.

39. Να γνωρίζετε ότι τα υψηλά επίπεδα υγρασίας μπορεί να ενθαρρύνουν την ανάπτυξη βιολογικών οργανισμών και μυκήτων στο περιβάλλον.

40. Η υπερβολική υγρασία στο δωμάτιο μπορεί να οδηγήσει σε συσσώρευση υγρασίας προκαλώντας ζημιές σε τοίχους, έπιπλα, ταπετσαρία και άλλες ηλεκτρικές συσκευές όπως τηλεόραση. Μην κατευθύνετε την έξοδο ομίχλης κοντά σε τέτοια αντικείμενα.

41. Μην αφήνετε την περιοχή γύρω από τον υγραντήρα να γίνει υγρή ή υγρή. Εάν εμφανιστεί υγρασία, μειώστε την παραγωγή ομίχλης. Εάν η χωρητικότητα της ομίχλης δεν μπορεί να μειωθεί, χρησιμοποιήστε τον υγραντήρα κατά διαστήματα. Μην αφήνετε τα απορροφητικά υλικά, όπως μοκέτες, κουρτίνες, κουρτίνες ή τραπεζομάντιλα, να γίνουν υγρά.

42. Μην καλύπτετε τη συσκευή. Μην τοποθετείτε αντικείμενα στο επάνω μέρος της συσκευής.

43. Μην χρησιμοποιείτε τη συσκευή σε συνδυασμό με προγραμματιστή, χρονόμετρο ή άλλη συσκευή που ενεργοποιεί αυτόματα τον υγραντήρα.

**Προειδοποίηση:** Οι μικροοργανισμοί που ενδέχεται να υπάρχουν στη δεξαμενή νερού θα εκτοξευθούν στον αέρα, προκαλώντας πολύ σοβαρό κίνδυνο για την υγεία. Για να αποφευχθεί αυτό, αλλάζετε το νερό τακτικά και καθαρίζετε τη δεξαμενή κάθε τρεις ημέρες.

**Προειδοποίηση:** Το δοχείο νερού πρέπει να αδειάζετε και να ξαναγεμίζετε κάθε τρεις ημέρες. Πριν το ξαναγεμίσετε, καθαρίστε το με γλυκό νερό ή χρησιμοποιώντας διαθέσιμα απορρυπαντικά εάν απαιτείται από τον κατασκευαστή. Αφαιρέστε τα άλατα, τις εναποθέσεις ή μια μεμβράνη που έχει σχηματιστεί στα τοιχώματα της δεξαμενής. Μετά τον καθαρισμό, σκουπίστε όλες τις προσβάσιμες επιφάνειες.

Ο υγραντήρας υπερήχων χρησιμοποιεί την αρχή ταλάντωσης υπερήχων υψηλής συχνότητας, το νερό ψεκάζεται σε εξαιρετικά λεπτά σωματίδια 1-5 micron, στη συνέχεια η ομίχλη νερού διαχέεται στον αέρα μέσω της πνευματικής συσκευής, έτσι ώστε να επιτευχθεί ο σκοπός της ομοιομορφης υγρασίας του αέρα, αναζωογονώντας τον αέρα , ενυδάτωση του δέρματος και βελτίωση της υγείας.

Πριν από την πρώτη χρήση

Όταν η συσκευή είναι ενεργοποιημένη, μην αγγίζετε τον μορφοτροπέα ψεκασμού (12) με το χέρι για να μην τραυματιστείτε.

Περιγραφή συσκευής: Υγραντήρας υπερήχων

- |  |  |
|--|--|
| 1.Κάλυμμα πλήρωσης νερού   | 2.Κάλυμμα δεξαμενής νερού                |
| 3.Ακροφύσιο ψεκασμού   | 4.Δοχείο αρωματοθεραπείας                |
| 5. Αγωγός αέρα ομίχλης   | 6. Δεξαμενή νερού                        |
| 7Α. Ενεργοποίηση / Ρύθμιση ομίχλης / Λειτουργία ύπνου / Κουμπί απενεργοποίησης | 7C. Κουμπί συνεχούς υγρασίας             |
| 7B. Κουμπί χρονοδιακόπτη   | 9.Είσοδος αέρα                           |
| 8.Θόνη   | 11.Έξοδος αέρα                           |
| 10. Έξοδος ομίχλης   | 13. Βαμβακερό σφουγγάρι αρωματοθεραπείας |
| 12. Ατομικοποιητής μορφοτροπέα   |  |
| 14. Βούρτσα καθαρισμού   |  |

ΓΕΜΙΣΗ ΝΕΡΟΥ – δείτε το σχήμα 7

1. Τοποθετήστε τη συσκευή σε μια σταθερή, επίπεδη επιφάνεια. Θυμηθείτε να γεμίσετε το νερό στη συσκευή που δεν είναι συνδεδεμένη στην πρίζα.
2. Ανοίξτε το κάλυμμα πλήρωσης νερού (2) μαζί με το καπάκι πλήρωσης νερού (1).
3. Θυμηθείτε ότι ο αγωγός αέρα ομίχλης (5) πρέπει να εγκατασταθεί μέσα στο δοχείο νερού πριν προσθέσετε το νερό.
4. Όταν προσθέτετε νερό, μην εγγύετε νερό στο ακροφύσιο ψεκασμού (3) και μην εγγύετε νερό στην έξοδο ομίχλης (10) καθώς και μην εγγύετε νερό στην έξοδο αέρα (9).
5. Προσέξτε να μην υπερβαίνετε τη MAX (μέγιστη) στάθμη νερού που σημειώνεται στην έξοδο αέρα (9) - όπως φαίνεται στην Εικόνα 2. Χρησιμοποιήστε καθαρό νερό βρύσης.
6. Κλείστε το κάλυμμα της δεξαμενής νερού (2) μαζί με το καπάκι πλήρωσης νερού (1). Συνδέστε τη συσκευή.

7. Όταν η συσκευή δεν σχεδιάζεται να χρησιμοποιηθεί, το νερό πρέπει να χυθεί έξω από τη δεξαμενή νερού (6).
8. Για να μειώσετε την κατακρήμνιση αλάτων από τη λευκή σκόνη νερού, μπορείτε προαιρετικά να αγοράσετε ένα φίλτρο νερού για αυτήν τη συσκευή, με αριθμό AD7972.1 από τον πωλητή αυτής της συσκευής.

#### ΛΕΙΤΟΥΡΓΙΑ ΑΡΩΜΑΘΟΘΕΡΑΠΕΙΑΣ

1. Αφαιρέστε το κάλυμμα της δεξαμενής νερού (1) μαζί με το καπάκι πλήρωσης νερού (1).
  2. Ρίξτε 2-3 σταγόνες αιθέριου ελαίου σε ένα βαμβακερό σφουγγάρι αρωματοθεραπείας (13) και τοποθετήστε το μέσα σε ένα δοχείο αρωματοθεραπείας (4). Κοιτάξτε την Εικόνα 4. Τοποθετήστε ένα δοχείο αρωματοθεραπείας (4) στην κορυφή της εξόδου ομίχλης (10). Η ώρα για μυρωδιά θα διανεμηθεί μαζί με ομίχλη.
- ΠΡΟΣΟΧΗ:** ΜΟΝΟ υδατοδιαλυτά αιθέρια έλαια είναι κατάλληλα για αυτή τη συσκευή.
3. ΜΗΝ στάζεις αιθέρια έλαια απευθείας στο νερό.

#### ΛΕΙΤΟΥΡΓΙΑ

1. Αφού συνδεθεί η συσκευή δίνει ηχητικό σήμα και η συσκευή μπαίνει σε κατάσταση αναμονής.
2. Για να ενεργοποιήσετε τη συσκευή πατήστε μία φορά το κουμπί ενεργοποίησης (7A). Η προεπιλεγμένη ένταση ομίχλης έχει ρυθμιστεί σε χαμηλό επίπεδο, στην οθόνη (8) θα δείτε δύο γραμμές (Εικόνα 9B). Πατήστε αυτό το κουμπί (7A) επανειλημμένα για να αλλάξετε τις λειτουργίες σε επίπεδο εξόδου μεσαίου νέφους (Εικόνα 9C), υψηλή ένταση ομίχλης (Εικόνα 9D), κατάσταση αναστολής λειτουργίας (Εικόνα 9D) ή απενεργοποίησε τη συσκευή (Εικόνα 9E) με τη σειρά της.

#### ΠΡΟΣΤΑΣΙΑ ΑΠΟ ΕΛΛΕΙΨΗ ΝΕΡΟΥ

Όταν η συσκευή λειτουργεί, το ενσωματωμένο ελατήριο ανιχνεύει την έλλειψη νερού. Στη συνέχεια, η συσκευή σταματά να λειτουργεί, η οθόνη (8) θα δείχνει «EE» και θα αναβοσβήνει για 5 δευτερόλεπτα και θα ακούσετε 3 ηχητικά σήματα. Μετά από αυτό, η συσκευή εισέρχεται σε κατάσταση αναμονής. Αφού προσθέσετε το νερό, πατήστε το κουμπί ενεργοποίησης (7A) και στη συνέχεια η συσκευή μπορεί να λειτουργήσει κανονικά.

#### ΡΥΘΜΙΣΗ ΛΕΙΤΟΥΡΓΙΑΣ ΥΠΝΟΥ

Η συσκευή θα λειτουργήσει σε έξοδο μεσαίας ομίχλης για 5 λεπτά και θα σταματήσει την έξοδο ομίχλης για 5 λεπτά, στη συνέχεια θα λειτουργεί 5 λεπτά και θα σταματήσει για 10 λεπτά. Στη συνέχεια θα λειτουργήσει για 5 λεπτά και θα σταματήσει για 15 λεπτά, η περαιτέρω λειτουργία θα συνεχιστεί σε αυτόν τον κύκλο. Στην κατάσταση αναστολής λειτουργίας, η οθόνη (8) είναι χαμηλωμένη – δείτε την Εικόνα 9E.

#### ΡΥΘΜΙΣΗ ΧΡΟΝΟΔΙΑΚΟΠΤΗ

Η προεπιλεγμένη ρύθμιση είναι μηδέν ώρες. Κατά τη λειτουργία πατήστε επανειλημμένα το κουμπί του χρονοδιακόπτη (7B) για να επιλέξετε μία από τις περιόδους λειτουργίας του χρονοδιακόπτη: 1 ώρα ή 2 ώρες ή 4 ώρες ή 6 ώρες ή πατήστε ξανά για να απενεργοποιήσετε τη λειτουργία του χρονοδιακόπτη – δείτε την Εικόνα 4. Η λειτουργία χρονοδιακόπτη σταματά τη λειτουργία της συσκευής μετά την παρέλευση καθορισμένης περιόδου.

#### ΡΥΘΜΙΣΗ ΕΠΙΠΕΔΟΥ ΥΓΡΑΣΙΑΣ

Κατά τη λειτουργία της συσκευής πατήστε το κουμπί συνεχούς υγρασίας (7C), μπορείτε να ρυθμίσετε την τιμή υγρασίας στο εύρος 40-90% της σχετικής υγρασίας, κάθε επαναλαμβανόμενο πάτημα θα αυξάνεται με τιμή 5%. Όταν έχει ρυθμιστεί το επίπεδο υγρασίας, η συσκευή υγραίνει συνεχώς στο επιθυμητό επίπεδο υγρασίας. Αφού φτάσει το επιθυμητό επίπεδο υγρανσης, η συσκευή εισέρχεται σε κατάσταση αναμονής και σταματά τον ψεκασμό της ομίχλης έως ότου το επίπεδο υγρασίας περιβάλλοντος μειωθεί στο 5% κάτω από το επιθυμητό επίπεδο υγρανσης. Σε αυτή την περίπτωση, η συσκευή αρχίζει να ψεκάζει ξανά αυτόματα το νέφος. Δείτε το σχήμα 5.

#### ΚΑΘΑΡΙΣΜΟΣ ΚΑΙ ΣΥΝΤΗΡΗΣΗ

1. Βγάλτε τη συσκευή από την πρίζα πριν την καθαρίσετε. Εάν έχει μείνει λίγο νερό στη δεξαμενή νερού (6), θα πρέπει να χυθεί γείροντας τη δεξαμενή νερού (6).
- ΠΡΟΣΟΧΗ:** Σημαντικό ζήτημα είναι η σωστή θέση του δοχείου νερού (6) ενώ το νερό χύνεται. Η σωστή θέση επιτυγχάνεται όταν η έξοδος αέρα (9) παραμένει στεγνή και η ροή του νερού οδηγείται από την αντίθετη άκρη της δεξαμενής νερού (6).
2. Καθαρίζετε τη δεξαμενή νερού κάθε 3 ημέρες.
  3. Μετά τη χρήση της συσκευής για κάποιο χρονικό διάστημα, είναι εύκολο να εμφανιστεί λεύια και να σχηματιστεί φαινόμενο «λευκή σκόνη», προσαρτάται στην επιφάνεια ενός μορφοτροπέα ψεκασμού (12), επηρεάζοντας την απόδοση υγρανσης. Είναι απαραίτητο να καθαρίζετε τακτικά τα κύρια εξαρτήματα. Για να καθαρίσετε τα κύρια εξαρτήματα δείτε την Εικόνα 6.
- \* Ανοίξτε το κάλυμμα της δεξαμενής νερού (2), αποσυναρμολογήστε τον αγωγό αέρα ομίχλης (5) περιστρέφοντας αριστερόστροφα - δείτε την Εικόνα 6A.
- \* Σκουπίστε το εσωτερικό της δεξαμενής νερού (6) και τον αεραγωγό ομίχλης (5) με ένα μαλακό πανί – δείτε την Εικόνα 6B.
- \* Προσθέστε την κατάλληλη ποσότητα νερού, καθαρίστε τη συσκευή με τη βούρτσα καθαρισμού (14) - δείτε την Εικόνα 6C.
- \* Σκουπίστε έναν μορφοτροπέα ψεκασμού (12) με μια μπατονέτα κολλημένη με διάλυμα κητοικού οξέως.
4. Μη χρησιμοποιείτε αιχμηρά σκληρά σκεύη για να αγγίξετε τον ατμοποιητή.
  5. Μην χρησιμοποιείτε απορρυπαντικό για να καθαρίσετε, το νερό της φυλής είναι καλύτερο. Στη συνέχεια στεγνώστε τα στοιχεία με μαλακό πανί, εγκαταστήστε τον αεραγωγό ομίχλης (5) με δεξιόστροφη περιστροφή.
  6. Η εξωτερική επιφάνεια του περιβλήματος της συσκευής μπορεί να καθαριστεί με ένα υγρό πανί και στη συνέχεια να στεγνώσει με

ένα καθαρό πανί. Μην χρησιμοποιείτε χημικούς διαλύτες, βενζίνη, κηροζίνη ή γυαλιστική σκόνη για να σκουπίσετε την επιφάνεια.  
7. Μην αφήνετε το νερό να μπαίνει μέσα στο περίβλημα κατά τον καθαρισμό για να αποφύγετε τη δυσλειτουργία των εσωτερικών εξαρτημάτων.

8. Καθαρίζετε τη συσκευή πριν από κάθε επόμενη χρήση.

#### ΑΠΟΘΗΚΕΥΣΗ

1. Για εποχιακή αποθήκευση η συσκευή πρέπει να είναι άδεια, καθαρισμένη και στεγνή.
2. Αποθήκευση σε σακούλα για αποφυγή σκόνης, σε ξηρό μέρος.

#### ΑΝΤΙΜΕΤΩΠΙΣΗ ΠΡΟΒΛΗΜΑΤΩΝ

Εάν η συσκευή δεν λειτουργεί σωστά, ελέγξτε τους παρακάτω πιθανούς λόγους πριν την στείλετε στην υπηρεσία εξυπηρέτησης μετά την πώληση για να λύσετε τα προβλήματα μόνοι σας.

ΠΡΟΒΛΗΜΑ I.: η οθόνη (8) δεν είναι αναμμένη.

ΠΙΘΑΝΟΣ ΛΟΓΟΣ ΠΡΟΒΛΗΜΑΤΟΣ I: το ρεύμα δεν είναι σωστά συνδεδεμένο.

ΛΥΣΗ ΤΟΥ ΠΡΟΒΛΗΜΑΤΟΣ I: Συνδέστε το καλώδιο ρεύματος και ενεργοποιήστε το ρεύμα.

ΠΡΟΒΛΗΜΑ II.: υπάρχει νερό στη δεξαμενή, η κόκκινη λυχνία αναβοσβήνει όταν η συσκευή είναι ενεργοποιημένη

ΠΙΘΑΝΟΣ ΛΟΓΟΣ ΠΡΟΒΛΗΜΑΤΟΣ II: υπάρχει πολύ μεγάλη κλίμακα σε έναν μορφοτροπέα ψεκασμού (12)

ΛΥΣΗ ΤΟΥ ΠΡΟΒΛΗΜΑΤΟΣ II: Καθαρίστε την κλίμακα που συσσωρεύεται στον μορφοτροπέα ψεκασμού (12)

ΠΡΟΒΛΗΜΑ III.: Η ποσότητα ψεκασμού είναι πολύ μικρή

ΠΙΘΑΝΟΣ ΛΟΓΟΣ ΠΡΟΒΛΗΜΑΤΟΣ III:

IIIa. Υπάρχει πάρα πολλή λευκή κλίμακα στον μορφοτροπέα ψεκασμού (12)

IIIb. Το νερό είναι πολύ βρώμικο ή έχει αποθηκευτεί πολύ καιρό

IIIc. Η ένταση της ομίχλης ρυθμίστηκε σε χαμηλό επίπεδο

ΛΥΣΗ ΠΡΟΒΛΗΜΑΤΟΣ III:

IIIa. καθαρίστε τα λευκά άλατα σε έναν μορφοτροπέα ψεκασμού (12)

IIIb. Αλλαγή σε καθαρό νερό

IIIc. Ρυθμίστε το μεσαίο ή υψηλό επίπεδο ομίχλης

ΠΡΟΒΛΗΜΑ IV.: Μη φυσιολογικός θόρυβος

ΠΙΘΑΝΟΣ ΛΟΓΟΣ ΠΡΟΒΛΗΜΑΤΟΣ IV:

IVa. Υπάρχει πολύ λιγότερο νερό στη δεξαμενή νερού

IVb. Συγκρούεται με την επιφάνεια του τραπέζιού για να παράγει τρέμουλο

ΛΥΣΗ ΤΟΥ ΠΡΟΒΛΗΜΑΤΟΣ IV:

IVa. πρόσθεσε νερό

IVb. Τοποθετήστε τη συσκευή σε σταθερή, λεία επιφάνεια

ΠΡΟΒΛΗΜΑ V: Περίεργη μυρωδιά ομίχλης

ΠΙΘΑΝΟΣ ΛΟΓΟΣ ΠΡΟΒΛΗΜΑΤΟΣ II: Το νερό στη δεξαμενή νερού δεν είναι καθαρό ή διατηρήθηκε για μεγάλο χρονικό διάστημα

ΛΥΣΗ ΤΟΥ ΠΡΟΒΛΗΜΑΤΟΣ II: Καθαρίστε το δοχείο νερού, στεγνώστε το και στη συνέχεια προσθέστε καθαρό νερό

#### ΤΕΧΝΙΚΗ ΗΜΕΡΟΜΗΝΙΑ:

Ισχύς: 23W

Τροφοδοσία: 220-240V ~50-60Hz

Χωρητικότητα δοχείου νερού : 4 λίτρα



φροντίζουμε το φυσικό περιβάλλον. Παρακαλούμε να πετάτε τις συσκευασίες από χαρτόνι στον κάδο ανακύκλωσης απορριμμάτων χαρτιού. Τις σακούλες από πολυαιθυλένιο (PE), απορρίψτε τις στον κάδο ανακύκλωσης πλαστικών. Η φθαρμένη συσκευή πρέπει να απορρίπτεται στο κατάλληλο σημείο, εξαιτίας των επικίνδυνων στοιχείων που περιέχει και τα οποία μπορεί να αποτελέσουν απειλή για το περιβάλλον. Η ηλεκτρική συσκευή πρέπει να απορρίπτεται με τέτοιο τρόπο ώστε να περιοριστεί η επαναχρησιμοποίηση της. Εάν στη συσκευή βρίσκονται μπαταρίες, αυτές πρέπει να αφαιρεθούν και να πεταχτούν σε ξεχωριστό κάδο.

## NEDERLANDS

### ALGEMENE VEILIGHEIDSVOORWAARDEN BELANGRIJKE VEILIGHEIDSINSTRUCTIES AANDACHTIG LEZEN EN OPSLAAN VOOR DE TOEKOMST

De garantievoorwaarden zijn anders als het apparaat voor commerciële doeleinden wordt gebruikt.

1. Voor gebruik van het product, lees aandachtig en volg altijd de volgende instructies. De fabrikant is niet aansprakelijk voor schade veroorzaakt door gebruik van het apparaat in strijd met het beoogde doel of onjuiste bediening.

2. Het apparaat is alleen voor thuisgebruik. Niet gebruiken voor andere doeleinden die niet voor het beoogde doel zijn.

3. Het apparaat mag alleen worden aangesloten op een stopcontact van 220-240 V ~

50/60 Hz.

4. Wees extra voorzichtig wanneer u het apparaat gebruikt wanneer er kinderen in de buurt zijn. Laat kinderen niet met het apparaat spelen, laat kinderen of mensen die niet bekend zijn met het apparaat het niet gebruiken.

5. **WAARSCHUWING:** Deze apparatuur kan worden gebruikt door kinderen ouder dan 8 jaar en mensen met beperkte fysieke, zintuiglijke of mentale vermogens, of mensen die geen ervaring of kennis van de apparatuur hebben, als dit wordt gedaan onder toezicht van een verantwoordelijke persoon. voor hun veiligheid of hebben hen informatie gekregen over het veilige gebruik van het apparaat en zijn zich bewust van de gevaren van het gebruik ervan. Kinderen mogen niet met de apparatuur spelen. Reiniging en onderhoud van het apparaat mogen niet worden uitgevoerd door kinderen, tenzij ze ouder zijn dan 8 jaar en deze activiteiten onder toezicht worden uitgevoerd.

6. Haal na gebruik altijd de stekker uit het stopcontact door het stopcontact met de hand vast te houden. Trek NIET aan het netsnoer.

7. Dompel de kabel, stekker, basis en het hele apparaat niet onder in water of een andere vloeistof. Stel het apparaat niet bloot aan atmosferische omstandigheden (regen, zon, enz.) of gebruik het niet in omstandigheden met een hoge luchtvochtigheid (badkamers, vochtige stacaravans).

8. Controleer regelmatig de staat van het netsnoer. Als het netsnoer beschadigd is, moet het worden vervangen door een specialist in het reparatiecentrum om gevaar te voorkomen.

9. Gebruik het apparaat niet met een beschadigd netsnoer of als het is gevallen of op een andere manier is beschadigd of als het niet goed werkt. Repareer het apparaat niet zelf, er bestaat een risico op een elektrische schok. Breng het beschadigde apparaat naar een geschikt servicecentrum voor controle of reparatie. Alle reparaties mogen alleen worden uitgevoerd door geautoriseerde servicepunten. Onjuist uitgevoerde reparaties kunnen ernstig gevaar voor de gebruiker opleveren.

10. Plaats het apparaat op een koele, stabiele ondergrond, uit de buurt van hete keukenapparatuur zoals een elektrisch fornuis, gasbrander, enz.

11. Gebruik het apparaat niet in de buurt van ontvlambare materialen.

12. Het netsnoer mag niet over de rand van een tafel hangen of in aanraking komen met hete oppervlakken.

13. Laat het product nooit zonder toezicht aangesloten op de stroombron. Zelfs als het gebruik voor een korte tijd wordt onderbroken, schakel het dan uit van het netwerk, haal de stekker uit het stopcontact.

14. Om extra bescherming te bieden, is het raadzaam om een aardlekschakelaar (RCD) in het elektrische circuit te installeren met een nominale aardlekstroom van niet meer dan 30 mA. Vraag hiervoor een electricien.

 15. Gebruik het apparaat niet in de buurt van water, b.v. ... in de douche, het bad of boven de wastafel met water.

16. Wanneer het apparaat in een badkamer wordt gebruikt, dient u na gebruik de stekker uit het stopcontact te halen, aangezien de nabijheid van water een gevaar vormt, zelfs als het apparaat is uitgeschakeld.

17. Laat het apparaat niet nat worden. Mocht het apparaat in het water vallen, haal dan direct de stekker uit het stopcontact. Steek uw handen niet in het water wanneer de machine is aangesloten op het netwerk. Het moet worden gecontroleerd door een gekwalificeerde electricien voordat het opnieuw wordt gebruikt.

18. Houd het apparaat niet vast met natte handen.

19. Schakel het apparaat altijd na elk gebruik uit. Schakel de stroom uit voordat u de stekker uit het stopcontact haalt.

20. Zet het apparaat nooit aan zonder water in het waterreservoir.

21. Gebruik alleen schoon, koud water.

22. Giet geen water boven het maximale niveau in de tank.

23. Dompel de basis van de luchtbevochtiger niet onder. Als er water op het apparaat



- wordt gemorst, trek dan onmiddellijk de stekker uit het stopcontact en laat het drogen.
24. Voeg geen chemicaliën toe aan het waterbassin, het waterreservoir of de neveluitlaat. Voeg geen zouten, ontkalkingstabletten, poeders of schoonmaakmiddelen toe aan het water.
25. De nevelinlaat en het waterreservoirdeksel moeten altijd goed gesloten zijn.
26. Zorg ervoor dat de neveluitlaat van de luchtbevochtiger niet direct op muren, meubels, stopcontacten, elektrische en elektronische apparaten of kinderen is gericht. Een te hoge luchtvochtigheid in een ruimte kan leiden tot vochtophoping, waardoor bacteriën en schimmels kunnen groeien, en schade aan muren, meubels en behang.
27. Blokkeer de ventilatie van het apparaat niet. Houd een afstand van minimaal 20 cm tot het apparaat. Blokkeer de waterneveluitlaat van de luchtbevochtiger niet.
28. Gebruik het apparaat niet als er kans op condensatie is. Er kan zich vocht vormen aan de binnen- en buitenkant van het apparaat wanneer:
- het apparaat wordt verplaatst van een koude naar een warme plaats,
  - het verwarmingssysteem is net ingeschakeld,
  - het apparaat wordt gebruikt in een ruimte met een hoge luchtvochtigheid,
  - het apparaat wordt gekoeld door het koelsysteem van de airconditioning.
- Als er vochtcondensatie optreedt in het apparaat, kan het zijn dat het niet goed werkt of in extreme gevallen beschadigd raakt. Gebruik het apparaat in dat geval niet en laat het een paar uur drogen.
29. De machine niet kantelen, omdraaien of proberen water bij te vullen of uit de machine te gieten tijdens het gebruik.
30. Verwijder de tank niet van de basis van het apparaat tijdens het gebruik van de luchtbevochtiger.
31. De gevulde watertank is zwaar. Als je hem draagt, bewaar hem dan ook eronder.
32. Gebruik geen luchtbevochtiger als u waterlekken onder het apparaat vindt.
33. Laat geen water in de luchtbevochtiger staan wanneer deze niet wordt gebruikt.
34. Volg de reinigingsinstructies in deze handleiding.
35. Laat nooit sedimentatie, vocht of water achter in de basistank van de bevochtiger (dit kan vervuiling of zelfs schade aan de ultrasone verstuurder veroorzaken).
36. Bij langdurig gebruik van het apparaat kan de waternevel die door de luchtbevochtiger wordt uitgestoten, op de vloer vallen en vocht veroorzaken.
37. Til het waterreservoir niet op aan de waterneveluitlaat.
38. Het is verboden om metalen spanen, draad, naalden en andere vreemde voorwerpen in het product of in de openingen in de behuizing te steken, anders kan dit een elektrische schok of storing veroorzaken.
39. Houd er rekening mee dat een hoge luchtvochtigheid de groei van biologische organismen en schimmels in de omgeving kan stimuleren.
40. Te veel vocht in de kamer kan leiden tot vochtophoping en schade aan muren, meubels, behang en elektrische andere apparaten zoals tv. Richt de neveluitlaat niet in de buurt van dergelijke objecten.
41. Zorg ervoor dat het gebied rond de luchtbevochtiger niet vochtig of nat wordt. Als er vocht optreedt, verlaag dan de mistproductie. Als de nevelcapaciteit niet kan worden verlaagd, gebruikt u de bevochtiger met tussenpozen. Zorg ervoor dat absorberende materialen, zoals vloerbedekking, gordijnen, gordijnen of tafelkleden, niet vochtig worden.
42. Dek het apparaat niet af. Plaats geen voorwerpen op de bovenkant van het apparaat.
43. Gebruik het apparaat niet in combinatie met een programmer, timer of ander apparaat dat de luchtbevochtiger automatisch inschakelt.

**Waarschuwing:** Micro-organismen die in de watertank aanwezig kunnen zijn, worden in de lucht geblazen en vormen een zeer ernstig gevaar voor de gezondheid. Om dit te voorkomen, moet u het water regelmatig verversen en de tank om de drie dagen schoonmaken.

**Waarschuwing:** De watertank moet om de drie dagen worden geleegd en opnieuw gevuld. Maak het voor het bijvullen schoon met zoet water of gebruik beschikbare reinigingsmiddelen, indien vereist door de fabrikant. Verwijder kalkaanslag, afzettingen of een film die zich op de wanden van de tank heeft gevormd. Veeg na het reinigen alle toegankelijke oppervlakken droog.

Ultrasonische luchtbevochtiger maakt gebruik van het ultrasonische hoogfrequente oscillatieprincipe, het water wordt verneveld tot ultrafijne deeltjes van 1-5 micron, vervolgens wordt de watermist door het pneumatische apparaat in de lucht verspreid, om het doel van gelijkmatige bevochtiging van de lucht, verfrissende lucht te bereiken, hydraterende huid en het verbeteren van de gezondheid.

Voor het eerste gebruik

Als het apparaat is ingeschakeld, raak dan een verstuivingstransducer (12) niet met de hand aan om letsel te voorkomen.

Apparaatbeschrijving: Ultrasonische luchtbevochtiger

- |   |                                       |
|---|---------------------------------------|
| 1. Watervuldop  | 2. Deksel watertank                   |
| 3. Sproeikop  | 4. Aromatherapiecontainer             |
| 5. Mist luchtkanaal   | 6. Watertank                          |
| 7A. Inschakelen / Nevelregeling / Slaapstand / Uitschakelknop |                                       |
| 7B. Timerknop   | 7C. Continue vochtigheidsknop         |
| 8. Display  | 9. Luchtinlaat                        |
| 10. Mistuitlaat   | 11. Luchtuitlaat                      |
| 12. Vernevelende transducer                                   | 13. Katoenen spons voor aromatherapie |
| 14. Reinigingsborstelje                                       |                                       |

**WATER VULLEN** – zie afbeelding 7

1. Plaats het apparaat op een stabiele, vlakke ondergrond. Vergeet niet om het water te vullen tot het losgekoppelde apparaat.
  2. Open het watervuldeksel (2) samen met het watervuldeksel (1).
  3. Onthoud dat het nevellichtkanaal (5) in de watertank moet worden geïnstalleerd voordat het water wordt toegevoegd.
  4. Spuit bij het toevoegen van water geen water in de sproeikop (3) en geen water in de neveluitlaat (10) en ook geen water in de luchtuitlaat (9).
  5. Zorg ervoor dat u het MAX (maximum) waterniveau dat op de luchtuitlaat (9) staat aangegeven niet overschrijdt - zie afbeelding 2.
- Gebruik schoon kraanwater.
6. Sluit het waterreservoirdeksel (2) samen met het watervuldeksel (1). Sluit het apparaat aan.
  7. Wanneer het apparaat niet gepland is om te worden gebruikt, moet het water uit de watertank (6) worden gegoten.
  8. Om de neerslag van kalkaanslag uit het water - wit poeder te verminderen, kunt u optioneel een waterfilter voor dit apparaat kopen, nummer AD7972.1 bij de verkoper van dit apparaat.

**AROMATHERAPIE FUNCTIE**

1. Verwijder het deksel van de watertank (1) samen met de watervuldop (1).
  2. Giet 2-3 druppels etherische olie op een aromatherapie katoenen spons (13) en plaats deze in een aromatherapiecontainer (4). Kijk naar figuur 4. Plaats een aromatherapiecontainer (4) bovenop de neveluitlaat (10). De mooie spiering wordt samen met mist verspreid.
- LET OP: ALLEEN in water oplosbare essentiële oliën zijn geschikt voor dit apparaat.
3. Druppel etherische oliën NIET direct in het water.

**OPERATIE**

1. Nadat het apparaat is aangesloten, geeft het een geluidssignaal en gaat het apparaat in de standby-stand.
2. Druk eenmaal op de inschakelknop (7A) om het apparaat in te schakelen. Het mistvolume is standaard ingesteld op laag niveau, u ziet op het display (8) twee lijnen (Figuur 9B). Druk herhaaldelijk op deze knop (7A) om de modi om de beurt te wijzigen in gemiddeld neveluitvoerniveau (figuur 9C), hoog nevelvolume (figuur 9D), slaapmodus (figuur 9D) of schakel het apparaat uit (figuur 9E).

**WATERTEKORT BESCHERMING**

Wanneer het apparaat werkt, detecteert de ingebouwde veer het gebrek aan water. Dan stopt het apparaat met werken, op het display (8) verschijnt "EE" en knippert gedurende 5 seconden en u hoort 3 geluidssignalen. Hierna gaat het apparaat in de standby-status. Druk na het toevoegen van het water op de inschakelknop (7A), waarna het apparaat normaal kan werken.

**SLAAPMODUS INSTELLING**

Het apparaat werkt gedurende 5 minuten met een gemiddelde nevelafgifte en pauzeert de nevelafgifte gedurende 5 minuten, daarna werkt het 5 minuten en pauzeert het gedurende 10 minuten; vervolgens zal het 5 minuten werken en zal het 15 minuten pauzeren, verdere werking zal worden voortgezet in een dergelijke cyclus. In de slaapstand is het display (8) gedimd – zie figuur 9E.

## TIMERINSTELLING

De standaardinstelling is nul uur. Druk tijdens de werking herhaaldelijk op de timerknop (7B) om een timer-werkingsperiode te kiezen: 1 uur of 2 uur of 4 uur of 6 uur of druk nogmaals om de timerfunctie uit te schakelen - zie figuur 4. De timerfunctie stopt de werking van het apparaat nadat de vaste periode is verstreken.

## INSTELLING VOCHTIGHEIDSNIVEAU

Druk tijdens de werking van het apparaat op de continue vochtigheidsknop (7C), u kunt de vochtigheidswaarde instellen in het bereik van 40-90% van de relatieve vochtigheid, elke herhaalde druk verhoogt met 5% waarde. Als het vochtigheidsniveau is ingesteld, bevochtigt het apparaat constant tot het gewenste bevochtigingsniveau. Nadat het gewenste bevochtigingsniveau is bereikt, gaat het apparaat naar de stand-bystatus en stopt het met het verstuiven van de nevel totdat het omgevingsvochtigheidsniveau is gedaald tot 5% onder het gewenste bevochtigingsniveau. In dat geval begint het apparaat de nevel automatisch opnieuw te spuiten. Kijk naar figuur 5.

## REINIGING EN ONDERHOUD

1. Koppel het apparaat los voordat u het schoonmaakt. Als er nog wat water in het waterreservoir (6) zit, moet dit worden weggegooid door het waterreservoir (6) te kantelen.
- LET OP: Belangrijk punt is de juiste positie van de watertank (6) terwijl het water wordt uitgegoten. De juiste positie wordt bereikt als de luchtuitlaat (9) droog blijft en de waterstroom langs de tegenoverliggende rand van de watertank (6) wordt geleid.
2. Reinig het waterreservoir om de 3 dagen.
3. Nadat het apparaat een tijdje is gebruikt, is het gemakkelijk om kalkaanslag te vertonen en het fenomeen "wit poeder" te vormen. Het wordt bevestigd aan het oppervlak van een verstuivingstransducer (12), waardoor de bevochtigingsefficiëntie wordt beïnvloed. Het is noodzakelijk om de hoofdcomponenten regelmatig schoon te maken. Om de hoofdcomponenten schoon te maken, kijk naar Figuur 6.
- \* Open het deksel van de watertank (2), demonteer het nevelluchtkanaal (5) door tegen de klok in te draaien - zie figuur 6A.
- \* Veeg de binnenkant van het waterreservoir (6) en het nevelluchtkanaal (5) schoon met een zachte doek - zie figuur 6B.
- \* Voeg de juiste hoeveelheid water toe, maak het apparaat schoon met het reinigingsborsteltje (14) - zie figuur 6C.
- \* Veeg een vernevelingstransducer (12) schoon met een wattenstaafje met citroenzuuroplossing.
4. Gebruik geen scherpe, harde voorwerpen om de verstuiver aan te raken.
5. Gebruik geen wasmiddel om schoon te maken, clanwater is beter. Droog vervolgens de elementen af met een zachte doek en installeer het nevelluchtkanaal (5) door rechtsonder te draaien.
6. De buitenkant van de behuizing van het apparaat kan met een vochtige doek worden gereinigd en vervolgens met een schone doek worden drooggeveegd. Gebruik geen chemische oplosmiddelen, benzine, kerosine of polijstpoeder om het oppervlak schoon te vegen.
7. Laat tijdens het schoonmaken geen water in de behuizing komen om defecten aan de interne onderdelen te voorkomen.
8. Reinig het apparaat voor elk volgend gebruik.

## OPSLAG

1. Bij seizoensopslag moet het apparaat leeg, schoongemaakt en droog zijn.
2. Opslag in zak om stof te voorkomen, op een droge plaats .

## PROBLEEMOPLOSSEN

Als het apparaat niet goed werkt, controleer dan de volgende mogelijke redenen voordat u het naar de klantenservice stuurt om de problemen zelf op te lossen.

PROBLEEM I.: het display (8) is niet aan.

MOGELIJKE REDEN VAN PROBLEEM I: de stekker zit niet goed in het stopcontact.

OPLOSSING VAN PROBLEEM I: steek de stekker in het stopcontact en schakel de stroom in.

PROBLEEM II.: er zit water in de tank, het rode lampje knippert wanneer het apparaat is ingeschakeld  
MOGELIJKE REDEN VAN PROBLEEM II: er is te veel kalkaanslag op een verstuivingstransducer (12)

OPLOSSING VAN PROBLEEM II: reinig de kalk die zich ophoopt op de verstuivingstransducer (12)

PROBLEEM III.: vernevelingshoeveelheid is te klein

MOGELIJKE REDEN VAN PROBLEEM III:

IIIa. Er is te veel witte schaal op de verstuivingstransducer (12)

IIIb . Het water is te vuil of te lang bewaard

IIIc. Het nevelvolume werd op een laag niveau ingesteld

OPLOSSING VAN PROBLEEM III:

IIIa. reinig de witte kalkaanslag op een verstuivingstransducer (12)

IIIb . Schakel over op schoon water

IIIc. Stel een gemiddeld of hoog nevelniveau in

PROBLEEM IV.: Abnormaal geluid

MOGELIJKE REDEN VAN PROBLEEM IV:

Iva . Er zit te weinig water in het waterreservoir

Ivb . Het botst met het tafelopervlak om kriebels te produceren

OPLOSSING VAN PROBLEEM IV:

I/a . Voeg water toe

I/b . Plaats het apparaat op een stevige, gladde ondergrond

PROBLEEM V: Eigenaardige geur van mist

MOGELIJKE REDEN VAN PROBLEEM II: Het water in de watertank is niet schoon of werd lange tijd bewaard

OPLOSSING VAN PROBLEEM II: Maak het waterreservoir schoon, droog het en voeg vervolgens schoon water toe

TECHNISCHE DATUM:

Vermogen: 23W

Voeding: 220-240V ~50-60Hz

Inhoud watertank : 4 liter



We geven om het milieu. We vragen u om de kartonnen verpakkingen te storten bij het oud papier. Polyethyleen zakken (PE) storten in de container voor plastic. Versleten apparatuur afgeven bij het juiste verzamelpunt, als in het apparaat gevaarlijke elementen zitten kan dat een bedreiging zijn voor het milieu. Elektrisch apparaat moet worden geretourneerd om het hergebruik te verminderen. Als in het apparaat batterijen zitten, horen die verwijderd te worden en apart af te worden gegeven bij het juiste verzamelpunt.

## SLOVENŠČINA

### SPLOSNI VARNOSTNI POGOJI

### POMEMBNA VARNOSTNA NAVODILA PREBERITE POZORNO IN PRIHRANITE V PRIHODNOST

Garancijski pogoji se razlikujejo, če se naprava uporablja v komercialne namene.

1. Pred uporabo izdelka natančno preberite in vedno upoštevajte naslednja navodila.

Proizvajalec ne odgovarja za škodo, ki bi nastala zaradi uporabe naprave v nasprotju s predvidenim namenom ali nepravilnega delovanja.

2. Naprava je samo za domačo uporabo. Ne uporabljajte za druge namene, ki niso predvideni.

3. Napravo priključite samo na vtičnico 220-240 V ~ 50/60 Hz.

4. Bodite posebno previdni pri uporabi naprave, ko so otroci v bližini. Otrokom ne dovolite, da se igrajo z napravo, ne dovolite, da bi jo uporabljali otroci ali osebe, ki naprave ne poznajo.

5. **OPOZORILO:** To opremo lahko uporabljajo otroci, starejši od 8 let, in osebe z omejenimi fizičnimi, senzoričnimi ali duševnimi sposobnostmi ali osebe, ki nimajo izkušenj ali znanja o opremi, če to počnejo pod nadzorom odgovorne osebe. zaradi njihove varnosti ali pa so jim bile dodeljene informacije o varni uporabi naprave in se zavedajo nevarnosti uporabe. Otroci se ne smejo igrati z opremo. Čiščenja in vzdrževanja naprave ne smejo izvajati otroci, razen če so starejši od 8 let in se te dejavnosti izvajajo pod nadzorom.

6. Po uporabi vedno odstranite vtič iz vtičnice, tako da vtičnico držite z roko. NE vlecite napajalnega kabla.

7. Kabla, vtiča, podstavka in celotne naprave ne potaplajte v vodo ali katero koli drugo tekočino. Naprave ne izpostavljajte atmosferskim razmeram (dež, sonce itd.) Ali je uporabljajte v pogojih visoke vlažnosti (kopalnice, vlažne mobilne hišice).

8. Redno preverjajte stanje napajalnega kabla. Če je napajalni kabel poškodovan, naj ga zamenja strokovnjak v servisnem centru, da se izogne nevarnosti.

9. Naprave ne uporabljajte s poškodovanim napajalnim kablom ali če je padel ali poškodovan na kakršen koli drug način ali če ne deluje pravilno. Naprave ne popravljajte sami, saj obstaja nevarnost električnega udara. Poškodovano napravo odnesite v ustrezen servis za pregled ali popravilo. Vsa popravila smejo izvajati samo pooblaščen servisne službe. Nepravilno izvedena popravila lahko povzročijo resno nevarnost za uporabnika.

10. Napravo postavite na hladno, stabilno površino, stran od vročih kuhinjskih aparatov, kot so električni štedilnik, plinski gorilnik itd.

11. Naprave ne uporabljajte v bližini vnetljivih materialov.

12. Napajalni kabel morda ne bo visel čez rob mize ali se dotaknil vročih površin.

13. Izdelka nikoli ne puščajte priključenega na vir napajanja brez nadzora. Tudi če je uporaba za kratek čas prekinjena, jo izklopite iz omrežja in izključite napajanje.

14. Da bi zagotovili dodatno zaščito, je priporočljivo v električni tokokrog vgraditi napravo za preostali tok (RCD) z nazivnim preostalim tokom, ki ne presega 30 mA. Za to vprašajte električarja.



15. Naprave ne uporabljajte v bližini vode, npr. ... pod prho, kadjo ali nad umivalnikom z vodo.

16. Ko aparat uporabljate v kopalnici, po uporabi odstranite vtič iz vtičnice, saj je bližina vode nevarna tudi, ko je aparat izklopljen.

17. Pazite, da se naprava ne zmoci. Če naprava pade v vodo, takoj odstranite vtič iz stenske vtičnice. Ne puščajte rok v vodi, ko je naprava priključena na omrežje. Pred ponovno uporabo mora preveriti usposobljen električar.

18. Naprave ne držite z mokrimi rokami.

19. Napravo vedno izklopite po vsaki uporabi. Pred odklopom izključite napajanje.

20. Nikoli ne vklopite naprave brez vode v rezervoarju za vodo.

21. Uporabljajte samo čisto in hladno vodo.

22. V rezervoar ne vlivajte vode nad mejno vrednostjo.

23. Ne potaplajte dna vlažilca. Če se naprava razlije po vodi, jo takoj izvlecite in pustite, da se posuši.

24. V posodo za vodo, rezervoar za vodo ali odtok megle ne dodajajte kemikalij. Vodi ne dodajajte soli, tablet za odstranjevanje vodnega kamna, praškov ali čistilnih snovi.

25. Dovod megle in pokrov posode za vodo morata biti vedno tesno zaprta.

26. Prepričajte se, da odvod megle vlažilca ni usmerjen neposredno na stene, pohištvo, električne vtičnice, električne in elektronske naprave ali otroke. Previsoka vlažnost v prostoru lahko povzroči kopičenje vlage, kar povzroči rast bakterij in glivic ter poškodbe sten, pohištva in ozadij.

27. Ne blokirajte prezračevanja naprave. Od naprave naj bo oddaljena najmanj 20 cm. Ne zapirajte odvoda vlažne vlage iz vlažilca.

28. Naprave ne uporabljajte, če obstaja nevarnost kondenzacije. Na notranji in zunanji strani naprave lahko nastane vlaga, če:

- naprava se premakne iz hladnega v toplo mesto,

- ogrevalni sistem je bil pravkar vklopljen,

- naprava se uporablja v prostoru z visoko vlažnostjo,

- napravo hladi hladilni sistem klimatske naprave.

Ko v napravi pride do kondenzacije vlage, ta morda ne bo delovala pravilno ali pa se lahko v skrajnih primerih poškoduje. V tem primeru naprave ne uporabljajte in pustite, da se nekaj ur posuši.

29. Med delovanjem naprave ne nagibajte, obračajte ali poskušajte dolivati ali izlivati vode.

30. Med odstranjevanjem vlažilca ne odstranjujte rezervoarja z dna naprave.

31. Napolnjen rezervoar za vodo je težek. Ko ga nosite, ga imejte tudi spodaj.

32. Ne uporabljajte vlažilca, če opazite, da voda pušča izpod naprave.

33. V vlažilniku ne puščajte vode, ko je ne uporabljate.

34. Upoštevajte navodila za čiščenje v tem priročniku.

35. Nikoli ne dovolite, da v osnovnem rezervoarju vlažilca ostane usedlina, vlaga ali voda (to lahko povzroči kontaminacijo ali celo poškodbo ultrazvočnega razpršilnika).

36. Med daljšim delovanjem naprave lahko vodna megla, ki jo oddaja vlažilec zraka, pade na tla in povzroči vlago.

37. Rezervoarja za vodo ne dvigujte za izpust vodne meglice.

38. V izdelek ali v reže ohišja je prepovedano vstavljati kovinske ostružke, žico, igle in druge tujke, sicer lahko povzroči električni udar ali okvaro.

39. Zavedajte se, da lahko visoka vlažnost spodbuja rast bioloških organizmov in gliv v okolju.

40. Prevelika vlaga v prostoru lahko povzroči kopičenje vlage, kar povzroči poškodbe sten, pohištva, ozadij in drugih električnih naprav, kot je televizor. Odprtine za meglo ne usmerjajte blizu takšnih predmetov.

41. Ne dovolite, da se območje okoli vlažilca vlaži ali mokri. Če se pojavi vlaga, zmanjšajte nastajanje megle. Če zmogljivosti megle ni mogoče zmanjšati, vlažilnik uporabljajte občasno. Pazite, da se vpojni materiali, kot so preproge, zavese, zavese ali prti, ne navlažijo.

42. Naprave ne pokrivajte. Na vrh naprave ne postavljajte nobenih predmetov.  
43. Naprave ne uporabljajte skupaj s programatorjem, časovnikom ali drugo napravo, ki samodejno vklopi vlažilec zraka.

**Opozorilo:** Mikroorganizmi, ki so lahko prisotni v rezervoarju za vodo, bodo odpihnjeni v zrak, kar bo povzročilo zelo resno nevarnost za zdravje. Da bi to preprečili, redno menjajte vodo in čistite rezervoar vsake tri dni.

**Opozorilo:** Rezervoar za vodo je treba izprazniti in ponovno napolniti vsake tri dni. Pred ponovnim polnjenjem ga očistite s svežo vodo ali z razpoložljivimi detergenti, če tako zahteva proizvajalec. Odstranite vodni kamen, usedline ali film, ki je nastal na stenah rezervoarja. Po čiščenju obrišite do suhega vse dostopne površine.

Ultrazvočni vlažilec uporablja princip ultrazvočnega visokofrekvenčnega nihanja, voda se razprši v ultra fine delce 1-5 mikronov, nato pa se vodna meglica skozi pnevmatsko napravo razprši v zrak, da se doseže namen enakomernega vlaženja zraka, osvežitev zraka, vlaženje kože in izboljšanje zdravja.

Pred prvo uporabo

Ko je naprava vklopljena, se z roko ne dotikajte razpršilnega pretvornika (12), da se ne poškodujete.

Opis naprave: Ultrazvočni vlažilec zraka

- |   |                                    |
|---|------------------------------------|
| 1. Pokrov za polnjenje vode   | 2. Pokrov rezervoarja za vodo      |
| 3. Razpršilna šoba  | 4. Posoda za aromaterapijo         |
| 5. Kanal za meglo   | 6. Rezervoar za vodo               |
| 7A. Vkllop / Nastavitev meglice / Način mirovanja / Gumb za izkllop |                                    |
| 7B. Gumb časovnika  | 7C. Gumb za stalno vlažnost        |
| 8. Zaslon   | 9. Dovod zraka                     |
| 10. Odprtina za meglo   | 11. Odprtina za zrak               |
| 12. Razpršilni pretvornik   | 13. Aromaterapevtska bombažna goba |
| 14. Ščetka za čiščenje  |                                    |

**POLNENJE VODE – pogledite sliko 7**

1. Napravo postavite na stabilno, ravno površino. Ne pozabite napolniti vode do izklopljene naprave.
2. Odprite pokrov za polnjenje vode (2) skupaj s pokrovom za polnjenje vode (1).
3. Ne pozabite, da mora biti zračni kanal za meglo (5) nameščen v rezervoar za vodo, preden dodate vodo.
4. Ko dodajate vodo, ne vbrizgajte vode v razpršilno šobo (3) in ne vbrizgajte vode v izstopno odprtino za meglo (10), prav tako ne vbrizgajte vode v izstopno odprtino za zrak (9).
5. Pazite, da ne presežete MAX (maksimalne) ravni vode, označene na odprtini za izpust zraka (9) – llok na sliki 2. Uporabite čisto vodo iz pipe.
6. Zaprite pokrov rezervoarja za vodo (2) skupaj s pokrovom za polnjenje vode (1). Priključite napravo.
7. Kadar naprave ne nameravate uporabljati, je treba vodo izliti iz rezervoarja za vodo (6).
8. Za zmanjšanje izločanja vodnega kamna iz vode - belega prahu, lahko po želji kupite vodni filter za to napravo številka AD7972.1 pri prodajalcu te naprave.

**FUNKCIJA AROMATERAPIJE**

1. Odstranite pokrov rezervoarja za vodo (1) skupaj s pokrovom za polnjenje vode (1).
  2. Nalijte 2-3 kapljice eteričnega olja na aromaterapevtsko bombažno gobo (13) in jo postavite v aromaterapevtsko posodo (4). Pogledite sliko 4. Postavite posodo za aromaterapijo (4) na vrh odprtine za meglo (10). Prijeten vonj se bo razširil skupaj z meglo.
- POZOR:** Za to napravo so primerna SAMO vodotopna eterična olja.
3. Eteričnih olj NE kapljajte neposredno v vodo.

**DELOVANJE**

1. Po vklopu naprava odda zvočni signal in naprava preide v stanje pripravljenosti.
2. Za vklop naprave enkrat pritisnite gumb za vklop (7A). Privzeta količina megle je nastavljena na nizko raven, na zaslonu (8) boste videli dve vrstici (slika 9B). Zaporedoma pritisnite ta gumb (7A), da spremenite načine na srednjo stopnjo izpusta megle (slika 9C), visoko količino meglice (slika 9D), način mirovanja (slika 9D) ali izklopite napravo (slika 9E).

## ZAŠČITA OB POMANJKANJU VODE

Ko naprava deluje, vgrajena vzmet zazna pomanjkanje vode. Nato naprava preneha delovati, na zaslonu (8) bo prikazano "EE" in bo utripalo 5 sekund in zaslili boste 3 zvočne signale. Po tem naprava preide v stanje pripravljenosti. Po dodajanju vode pritisnite tipko za vklop (7A), nato naprava lahko normalno deluje.

## NASTAVITEV NAČINA SPANJA

Naprava bo delovala pri srednjem izpustu meglice 5 minut in bo prekinila izpust megle za 5 minut, nato bo delovala 5 minut in se bo ustavila za 10 minut; nato bo deloval 5 minut in se bo ustavil za 15 minut, nadaljnje delovanje se bo nadaljevalo v tem ciklu. V načinu mirovanja je zaslon (8) zatemnjen – pogledite sliko 9E.

## NASTAVITEV ČASOVNIKA

Privzeta nastavitev je nič ur. Med delovanjem večkrat pritisnite gumb časovnika (7B), da izberete eno od časovnih obdobij delovanja časovnika: 1 ura ali 2 uri ali 4 ure ali 6 ur ali znova pritisnite, da izklopite funkcijo časovnika – glejte sliko 4. Funkcija časovnika ustavi delovanje naprave po pretečenem določenem obdobju.

## NASTAVITEV STOPNJE VLAGE

Med delovanjem naprave pritisnite gumb za neprekinjeno vlažnost (7C), nastavite lahko vrednost vlažnosti v območju 40-90% relativne vlažnosti, vsak ponovni pritisk se poveča za 5% vrednosti. Ko je stopnja vlažnosti nastavljena, naprava nenehno vlaži do zelene stopnje vlažnosti. Ko je dosežena zelena raven vlažnosti, naprava preide v stanje pripravljenosti in preneha pršiti meglico, dokler se raven vlažnosti okolja ne zniža na 5 % pod zeleno stopnjo vlažnosti. V tem primeru začne naprava samodejno znova pršiti meglo. Pogledite sliko 5.

## ČIŠČENJE IN VZDRŽEVANJE

1. Pred čiščenjem izklopite napravo. Če je v rezervoarju za vodo (6) ostalo nekaj vode, jo izlijte tako, da rezervoar za vodo (6) nagnete. POZOR: Pomembno vprašanje je pravilen položaj rezervoarja za vodo (6) med izlivanjem vode. Pravilen položaj je dosežen, ko je odprtina za izpust zraka (9) suha in vodni tok vodi nasprotni rob rezervoarja za vodo (6).

2. Očistite rezervoar za vodo vsake 3 dni.

3. Ko napravo uporabljate nekaj časa, se zlahka pojavi kamen in tvori pojav "belega prahu", ki je pritrjen na površino atomizirajočega pretvornika (12), kar vpliva na učinkovitost vlaženja. Glavne komponente je potrebno redno čistiti. Za čiščenje glavnih komponent si ogledite sliko 6.

\* Odprite pokrov rezervoarja za vodo (2), razstavite zračni kanal za meglo (5) z vrtenjem v nasprotni smeri urnega kazalca - pogledite sliko 6A.

\* Z mehko krpo obrišite notranjost rezervoarja za vodo (6) in kanal za meglo (5) – pogledite sliko 6B.

\* Dodajte ustrezno količino vode, očistite napravo s čistilno krtačo (14) – pogledite sliko 6C.

\* Obrišite razpršilni pretvornik (12) z vatirano palčko, prepojeno z raztopino citronske kisline.

4. Razpršilnika se ne dotikajte z ostrimi trdimi pripomočki.

5. Za čiščenje ne uporabljajte detergenta, boljša je klanska voda. Nato elemente posušite z mehko krpo in namestite zračni kanal za meglo (5) z vrtenjem v smeri urinega kazalca.

6. Zunanjo površino ohišja naprave lahko očistite z vlažno krpo in nato do suhega obrišete s čisto krpo. Za brisanje površine ne uporabljajte kemičnih topil, bencina, kerozina ali polirnega praška.

7. Med čiščenjem ne pustite, da bi voda prišla v ohišje, da preprečite okvaro notranjih komponent.

8. Pred vsako naslednjo uporabo napravo očistite.

## SHRANJEVANJE

1. Za sezonsko shranjevanje mora biti naprava prazna, očiščena in suha.

2. Shranjevanje v vrečki za zaščito pred prahom, na suhem mestu.

## ODPRAVLJANJE TEŽAV

Če naprava ne deluje pravilno, preverite naslednje možne razloge, preden jo pošljete poprodajnemu servisu, da sami odpravite težave.

TEŽAVA I.: Zaslon (8) ne sveti.

MOŽEN RAZLOG TEŽAVE I: napajanje ni pravilno priključeno.

REŠITEV TEŽAVE I: priključite napajalni kabel in vklopite napajanje.

TEŽAVA II.: v rezervoarju je voda, ob prižgani napravi utripa rdeča lučka

MOŽEN RAZLOG TEŽAVE II: preveč vodnega kamna na razpršilnem pretvorniku (12)

REŠITEV TEŽAVE II: očistite vodni kamen, ki se nabira na atomizacijskem pretvorniku (12)

TEŽAVA III.: količina atomizacije je premajhna

MOŽEN VZROK TEŽAVE III:

IIIa. Na razpršilnem pretvorniku je preveč belih oblog (12)

IIIb. Voda je preveč umazana ali predolgo shranjena

IIIc. Količina megle je bila nastavljena na nizko raven

REŠITEV PROBLEMA III:

IIIa. očistite beli vodni kamen na atomizacijskem pretvorniku (12)

IIIb . Spremenite v čisto vodo

IIIc. Nastavite srednjo ali visoko stopnjo megle

PROBLEM IV.: Nenormalen hrup

MOŽEN VZROK TEŽAVE IV:

IVa . V rezervoarju za vodo je premalo vode

IVb . Trči ob površino mize in povzroči tresenje

REŠITEV PROBLEMA IV:

IVa . dodajte vodo

IVb . Napravo postavite na trdno, gladko površino

PROBLEM V: Nenavaden vonj po megli

MOŽEN VZROK TEŽAVE II: Voda v rezervoarju za vodo ni čista ali pa je bila dolgo časa shranjena

REŠITEV TEŽAVE II: Očistite posodo za vodo, jo osušite, nato dodajte čisto vodo

TEHNIČNI DATUM:

Moč: 23W

Napajanje: 220-240V ~50-60Hz

Prostornina rezervoarja za vodo : 4 litre



Skrbimo za okolje. Kartonska embalaža, prosim darovati na odpadni papir. Polietilenske vreče (PE) mečite v posoda za plastiko. Dotrajane naprave je treba vrniti na ustrezno zbirno mesto, ker vsebovane v napravo nevarne elemente lahko predstavljajo nevarnost za okolje. Električna naprava je treba vrniti kakor, da se omeji njegovo ponovno uporabo in izkoriščenost. Če naprava vsebuje baterijo, je treba odstraniti in ločeno dati nazaj na mesta skladiščenja.

## РУССКИЙ

### ОБЩИЕ УСЛОВИЯ БЕЗОПАСНОСТИ ВАЖНЫЕ ИНСТРУКЦИИ ПО БЕЗОПАСНОСТИ ВНИМАТЕЛЬНО ПРОЧИТАЙТЕ И СОХРАНИТЕ НА БУДУЩЕЕ

Условия гарантии отличаются, если устройство используется в коммерческих целях.

1. Перед использованием продукта внимательно прочтите и всегда соблюдайте следующие инструкции. Производитель не несет ответственности за ущерб, возникший в результате использования устройства не по назначению или неправильной эксплуатации.
2. Устройство предназначено только для домашнего использования. Не используйте для других целей, не по прямому назначению.
3. Устройство следует подключать только к розетке 220-240 В ~ 50/60 Гц.
4. Соблюдайте особую осторожность при использовании устройства, когда рядом находятся дети. Не позволяйте детям играть с устройством, не позволяйте детям или людям, не знакомым с устройством, использовать его.
5. **ПРЕДУПРЕЖДЕНИЕ:** это оборудование могут использовать дети старше 8 лет и люди с ограниченными физическими, сенсорными или умственными способностями, а также люди, не имеющие опыта или знаний с оборудованием, если это делается под наблюдением ответственного лица. для их безопасности или получили информацию о безопасном использовании устройства и осведомлены об опасностях его использования. Дети не должны играть с оборудованием. Дети не должны чистить и обслуживать устройство, если им не исполнилось 8 лет и эти действия не выполняются под присмотром взрослых.
6. После использования всегда вынимайте вилку из розетки, удерживая ее рукой. НЕ тяните за шнур питания.
7. Не погружайте кабель, вилку, основание и все устройство в воду или любую другую жидкость. Не подвергайте устройство воздействию атмосферных условий (дождь, солнце и т. Д.) И не используйте его в условиях высокой влажности (ванные комнаты, влажные передвижные дома).
8. Периодически проверяйте состояние шнура питания. Если шнур питания поврежден, его должен заменить специалист в ремонтном центре, чтобы избежать опасности.
9. Не используйте устройство с поврежденным шнуром питания, если его уронили или повредили каким-либо иным образом, или если он не работает должным образом. Не ремонтируйте устройство самостоятельно, это может привести к



поражению электрическим током. Отнесите поврежденное устройство в соответствующий сервисный центр для проверки или ремонта. Ремонтные работы разрешается проводить только авторизованным сервисным центрам. Неправильно выполненный ремонт может создать серьезную опасность для пользователя.

10. Поместите устройство на прохладную устойчивую поверхность вдали от горячих кухонных приборов, таких как электрическая плита, газовая горелка и т. Д.

11. Не используйте устройство рядом с легковоспламеняющимися материалами.

12. Шнур питания не должен свешиваться за край стола или касаться горячих поверхностей.

13. Никогда не оставляйте изделие подключенным к источнику питания без присмотра. Даже если использование прерывается на короткое время, отключите его от сети, отключите питание.

14. Для дополнительной защиты рекомендуется установить в электрической цепи устройство защитного отключения (УЗО) с номинальным остаточным током не более 30 мА. Спросите об этом у электрика.



15. Не используйте устройство около воды, например ... в душе, ванне или над умывальником с водой.

16. Когда прибор используется в ванной, вынимайте вилку из розетки после использования, так как близость воды представляет опасность, даже когда прибор выключен.

17. Не допускайте намокания устройства. Если устройство упало в воду, немедленно выньте вилку из розетки. Не погружайте руки в воду, когда машина подключена к сети. Перед повторным использованием его должен проверить квалифицированный электрик.

18. Не держите прибор мокрыми руками.

19. Всегда выключайте устройство после каждого использования. Пожалуйста, отключите питание перед отключением от сети.

20. Никогда не включайте устройство, если в резервуаре для воды нет воды.

21. Используйте только чистую прохладную воду.

22. Не наливайте воду в бак выше максимального уровня.

23. Не погружайте основание увлажнителя в воду. Если вода пролита на устройство, немедленно отключите его от сети и дайте ему высохнуть.

24. Не добавляйте какие-либо химические вещества в резервуар для воды, резервуар для воды или выпускное отверстие для тумана. Не добавляйте в воду соли, таблетки для удаления накипи, порошки или чистящие вещества.

25. Впускное отверстие для тумана и крышка резервуара для воды всегда должны быть плотно закрыты.

26. Убедитесь, что выходное отверстие для тумана увлажнителя не направлено прямо на стены, мебель, электрические розетки, электрические и электронные устройства или детей. Слишком высокая влажность в комнате может привести к накоплению влаги, вызывая рост бактерий и грибов, а также повреждение стен, мебели и обоев.

27. Не перекрывайте вентиляцию устройства. Держитесь на расстоянии не менее 20 см от устройства. Не закрывайте выход водяного тумана увлажнителя.

28. Не используйте устройство, если существует опасность образования конденсата. Внутри и снаружи устройства может образовываться влага в следующих случаях:

- прибор переносит из холодного в теплое место,
- система отопления только что была включена,
- устройство используется в помещении с повышенной влажностью,
- устройство охлаждается системой охлаждения кондиционера.

Когда в устройстве происходит конденсация влаги, оно может работать неправильно или может быть повреждено в крайних случаях. В этом случае не используйте устройство и дайте ему высохнуть в течение нескольких часов.

29. Не наклоняйте, не переворачивайте и не пытайтесь долить или вылить воду из

машины во время работы.

30. Не снимайте резервуар с основания устройства во время работы увлажнителя.

31. Наполненный резервуар для воды тяжелый. При переноске также держите его внизу.

32. Не используйте увлажнитель, если обнаружите утечку воды из-под устройства.

33. Не оставляйте воду в увлажнителе, когда он не используется.

34. Следуйте инструкциям по очистке, приведенным в данном руководстве.

35. Никогда не позволяйте осадку, влаге или воде оставаться в базовом баке увлажнителя (это может вызвать загрязнение или даже повреждение ультразвукового распылителя).

36. Во время продолжительной работы устройства водяной туман, выделяемый увлажнителем, может упасть на пол и вызвать влагу.

37. Не поднимайте резервуар для воды за выпускное отверстие для водяного тумана.

38. Запрещается вставлять металлическую стружку, проволоку, иглы и другие посторонние предметы в изделие или в зазоры корпуса, иначе это может привести к поражению электрическим током или неисправности.

39. Имейте в виду, что высокий уровень влажности может стимулировать рост биологических организмов и грибов в окружающей среде.

40. Слишком высокая влажность в комнате может привести к накоплению влаги, что приведет к повреждению стен, мебели, обоев и других электроприборов, таких как телевизор. Не направляйте выходное отверстие для тумана близко к таким объектам.

41. Не допускайте, чтобы область вокруг увлажнителя становилась влажной или мокрой. Если появляется сырость, уменьшите образование тумана. Если количество тумана не может быть уменьшено, периодически используйте увлажнитель. Не позволяйте впитывающим материалам, таким как ковровые покрытия, шторы, портьеры или скатерти, становиться влажными.

42. Не накрывайте устройство. Не кладите никакие предметы на верхнюю часть устройства.

43. Не используйте устройство вместе с программатором, таймером или другим устройством, которое автоматически включает увлажнитель.

**Предупреждение.** Микроорганизмы, которые могут находиться в резервуаре для воды, будут выброшены в воздух, что может нанести серьезный вред здоровью. Чтобы этого не произошло, регулярно меняйте воду и чистите аквариум каждые три дня.

**Предупреждение:** Резервуар для воды следует опорожнять и наполнять каждые три дня. Перед повторным наполнением очистите его пресной водой или с использованием доступных моющих средств, если это требуется производителем. Удалите накипь, отложения или пленку, образовавшуюся на стенках бака. После очистки протрите насухо все доступные поверхности.

Ультразвуковой увлажнитель использует принцип ультразвуковых высокочастотных колебаний, вода распыляется на сверхмелкие частицы размером 1-5 микрон, затем водяной туман рассеивается в воздухе через пневматическое устройство, чтобы достичь цели равномерного увлажнения воздуха, освежения воздуха, увлажнения кожи и улучшения здоровья.

Перед первым использованием

Когда устройство включено, пожалуйста, не прикасайтесь рукой к датчику распыления (12), чтобы не повредить его.

Описание устройства: Ультразвуковой увлажнитель

1. Крышка залива воды

2. Крышка резервуара для воды

- |   |                                   |
|---|-----------------------------------|
| 3. Распылительная насадка                                       | 4. Ароматерапевтический контейнер |
| 5. Воздуховод тумана  | 6. Резервуар для воды             |
| 7А. Включение/регулировка тумана/спящий режим/кнопка выключения |                                   |
| 7Б. Кнопка таймера  | 7С. Кнопка постоянной влажности   |
| 8. Дисплей  | 9. Воздухозаборник                |
| 10. Выход тумана  | 11. Выход воздуха                 |
| 12. Преобразователь-распылитель                                 | 13. Ватная губка для ароматерапии |
| 14. Щеточка для чистки  |                                   |

#### ЗАПОЛНЕНИЕ ВОДОЙ – см. рис. 7

1. Поместите устройство на устойчивую ровную поверхность. Не забудьте налить воду в отключенное от сети устройство.
2. Откройте крышку залива воды (2) вместе с крышкой залива воды (1).
3. Помните, что воздуховод тумана (5) должен быть установлен внутри резервуара для воды перед добавлением воды.
4. При добавлении воды не впрыскивайте воду в форсунку (3) и не впрыскивайте воду в выходное отверстие для тумана (10), а также не впрыскивайте воду в выходное отверстие для воздуха (9).
5. Следите за тем, чтобы не превышать МАКС. (максимальный) уровень воды, отмеченный на выпускном отверстии для воздуха (9) – см. рис. 2. Используйте чистую водопроводную воду.
6. Закройте крышку резервуара для воды (2) вместе с крышкой залива воды (1). Подключите устройство.
7. Если устройство не планируется использовать, воду следует вылить из резервуара для воды (6).
8. Для уменьшения выпадения из воды известкового налета - белого порошка, дополнительно можно приобрести фильтр для воды к данному аппарату, номер АД7972.1 у продавца данного аппарата.

#### ФУНКЦИЯ АРОМАТЕРАПИИ

1. Снимите крышку резервуара для воды (1) вместе с крышкой залива воды (1).
  2. Нанесите 2-3 капли эфирного масла на ароматерапевтическую ватную губку (13) и поместите ее в контейнер для ароматерапии (4). Посмотрите на рис. 4. Поместите емкость для ароматерапии (4) в верхнюю часть выпускного отверстия для тумана (10). Приятный запах будет распространяться вместе с туманом.
- ВНИМАНИЕ:** Для этого устройства подходят ТОЛЬКО водорастворимые эфирные масла.
3. НЕ капайте эфирные масла прямо в воду.

#### ЭКСПЛУАТАЦИЯ

1. После включения устройство подает звуковой сигнал и устройство переходит в режим ожидания.
2. Для включения устройства нажмите один раз кнопку включения (7А). Объем тумана по умолчанию установлен на низком уровне, вы увидите на дисплее (8) две линии (Рисунок 9В). Нажмите эту кнопку (7А) несколько раз, чтобы изменить режимы на средний уровень выхода тумана (Рисунок 9С), высокий объем тумана (Рисунок 9D), спящий режим (Рисунок 9D) или выключить устройство (Рисунок 9Е) по очереди.

#### ЗАЩИТА ОТ НЕДОСТАТКА ВОДЫ

Когда устройство работает, встроенный источник определяет отсутствие воды. После этого устройство перестанет работать, на дисплее (8) появится надпись «ЕЕ» и мигание в течение 5 секунд, и вы услышите 3 звуковых сигнала. После этого устройство переходит в режим ожидания. После добавления воды нажмите кнопку включения (7А), после чего устройство может работать в обычном режиме.

#### НАСТРОЙКА РЕЖИМА СНА

Устройство будет работать на средней мощности тумана в течение 5 минут и приостановит подачу тумана на 5 минут, затем будет работать 5 минут и сделает паузу на 10 минут; далее он будет работать 5 минут и остановится на 15 минут, дальнейшая работа продолжится в таком цикле. В спящем режиме дисплей (8) затемнен – см. рис. 9D.

#### НАСТРОЙКА ТАЙМЕРА

Значение по умолчанию — ноль часов. Во время работы нажмите кнопку таймера (7Б) несколько раз, чтобы выбрать один из периодов работы таймера: 1 час или 2 часа, или 4 часа, или 6 часов или нажмите еще раз, чтобы выключить функцию таймера – см. рис. 4. Функция таймера останавливает работу устройства по истечении фиксированного периода времени.

#### НАСТРОЙКА УРОВНЯ ВЛАЖНОСТИ

Во время работы устройства нажмите кнопку постоянной влажности (7С), можно установить значение влажности в диапазоне 40-90% относительной влажности, каждое повторное нажатие будет увеличивать значение на 5%. Когда уровень влажности установлен, устройство постоянно увлажняет до желаемого уровня увлажнения. После достижения желаемого уровня увлажнения устройство переходит в режим ожидания и прекращает распыление тумана до тех пор, пока уровень влажности окружающей среды не упадет на 5% ниже желаемого уровня увлажнения. В таком случае устройство автоматически снова начнет распылять туман. Посмотрите на рисунок 5.

## ЧИСТКА И ОБСЛУЖИВАНИЕ

1. Отключите устройство от сети перед очисткой. Если в резервуаре для воды (6) осталось немного воды, ее следует слить, наклонив резервуар для воды (6).

**ВНИМАНИЕ:** Важным моментом является правильное положение резервуара для воды (6) при сливе воды. Правильное положение достигается, когда выпускное отверстие для воздуха (9) остается сухим, а поток воды направляется противоположным краем резервуара для воды (6).

2. Очищайте резервуар для воды каждые 3 дня.

3. После того, как устройство используется в течение определенного периода времени, легко появляются накипь и образуется явление «белого порошка», оно прикрепляется к поверхности распыляющего преобразователя (12), что влияет на эффективность увлажнения. Необходимо регулярно очищать основные компоненты. Для очистки основных компонентов см. Рисунок 6.

\* Откройте крышку резервуара для воды (2), снимите воздуховод тумана (5), повернув его против часовой стрелки (см. рис. 6А).

\* Протрите внутреннюю часть резервуара для воды (6) и воздуховод тумана (5) мягкой тканью – см. рис. 6В.

\* Добавьте нужное количество воды, очистите устройство щеткой для очистки (14) - см. рис. 6С.

\* Протрите датчик распыления (12) ватным тампоном, смоченным раствором лимонной кислоты.

4. Не используйте острые твердые предметы для прикосновения к атомайзеру.

5. Не используйте моющие средства для очистки, лучше клавановая вода. Затем протрите элементы мягкой тканью, установите канал туманного воздуха (5), вращая его по часовой стрелке.

6. Внешнюю поверхность корпуса устройства можно протирать влажной тканью, а затем вытирать насухо чистой тканью. Не используйте химические растворители, бензин, керосин или полировальный порошок для протирания поверхности.

7. Не допускайте попадания воды внутрь корпуса во время очистки, чтобы избежать неисправности внутренних компонентов.

8. Очищайте устройство перед каждым следующим использованием.

## ХРАНИЛИЩЕ

1. Для сезонного хранения устройство должно быть пустым, очищенным и сухим.

2. Хранение в сумке для защиты от пыли, в сухом месте.

## ПОИСК НЕИСПРАВНОСТЕЙ

Если устройство не работает должным образом, проверьте следующие возможные причины, прежде чем отправлять его в сервисный центр для самостоятельного решения проблем.

**ПРОБЛЕМА I:** дисплей (8) не горит.

**ВОЗМОЖНАЯ ПРИЧИНА ПРОБЛЕМЫ I:** питание подключено неправильно.

**РЕШЕНИЕ ПРОБЛЕМЫ I:** подключите шнур питания и включите питание.

**ПРОБЛЕМА II:** в баке есть вода, при включении устройства мигает красная лампочка

**ВОЗМОЖНАЯ ПРИЧИНА ПРОБЛЕМЫ II:** слишком много накипи на датчике распыления (12)

**РЕШЕНИЕ ПРОБЛЕМЫ II:** очистить накипь, скапливающуюся на преобразователе распыления (12)

**ПРОБЛЕМА III:** количество распыления слишком мало

**ВОЗМОЖНАЯ ПРИЧИНА ПРОБЛЕМЫ III:**

IIIa. На датчике распыления (12) слишком много белой накипи.

IIIб. Вода слишком грязная или слишком долго хранилась

IIIв. Объем тумана был установлен на низком уровне

**РЕШЕНИЕ ЗАДАЧИ III:**

IIIа. очистить датчик распыления от белого известкового налета (12)

IIIб. Переход на чистую воду

IIIв. Установите средний или высокий уровень тумана

**ПРОБЛЕМА IV:** Аномальный шум

**ВОЗМОЖНАЯ ПРИЧИНА ПРОБЛЕМЫ IV:**

IVa. В резервуаре для воды слишком мало воды

IVб. Он сталкивается с поверхностью стола, вызывая дрожание

**РЕШЕНИЕ ЗАДАЧИ IV:**

IVa. Добавьте воды

IVб. Поместите устройство на твердую, гладкую поверхность

**ПРОБЛЕМА V:** Специфический запах тумана

**ВОЗМОЖНАЯ ПРИЧИНА ПРОБЛЕМЫ II:** Вода в резервуаре для воды не чистая или хранилась в течение длительного времени.

**РЕШЕНИЕ ПРОБЛЕМЫ II:** Очистите резервуар для воды, высушите его, затем добавьте чистую воду.

## ТЕХНИЧЕСКАЯ ДАТА:

Мощность: 23 Вт

Электропитание: 220-240В ~50-60Гц

Емкость резервуара для воды : 4 литра





Заботясь об окружающей среде. Упаковку из картона передайте, пожалуйста, на макулатуру. Полиэтиленовые мешки (PE) выкидать в резервуар для пластмассы. Изношенное устройство надо передать в соответствующую точку хранения, так как находящиеся в устройстве опасные составляющие могут являться угрозой для окружающей среды. Электрическое устройство надо передать таким образом, чтобы ограничить его повторное употребление и использование. Если в устройстве находятся батареи, их надо вынуть и передать в точку хранения отдельно. Устройство не выкидать в резервуар для коммунальных отходов!

## ČESKY

### OBECNÉ BEZPEČNOSTNÍ PODMÍNKY DŮLEŽITÉ BEZPEČNOSTNÍ POKYNY ČTĚTE POZORNĚ A UŠETŘTE PRO BUDOUCNOST

Záruční podmínky se liší, pokud je zařízení používáno ke komerčním účelům.

1. Před použitím výrobku si pečlivě přečtete a vždy dodržujte následující pokyny. Výrobce neodpovídá za škody způsobené používáním zařízení v rozporu s jeho určením nebo nesprávným provozem.
2. Zařízení je určeno pouze pro domácí použití. Nepoužívejte k jiným účelům, než které jsou určeny.
3. Zařízení by mělo být připojeno pouze k zásuvce 220-240 V ~ 50/60 Hz.
4. Buďte obzvláště opatrní při používání zařízení, když jsou poblíž děti. Nedovolte dětem hrát si se zařízením, nedovolte dětem nebo osobám, které nejsou obeznámeny se zařízením, aby jej používaly.
5. **VAROVÁNÍ:** Toto zařízení mohou používat děti starší 8 let a osoby s omezenými fyzickými, smyslovými nebo mentálními schopnostmi nebo lidé, kteří nemají žádné zkušenosti ani znalosti o tomto zařízení, pokud tak činí pod dohledem odpovědné osoby z důvodu jejich bezpečnosti nebo jim byly poskytnuty informace o bezpečném používání zařízení a jsou si vědomi nebezpečí jeho používání. Děti by si s tímto zařízením neměly hrát. Čištění a údržbu zařízení by neměli provádět děti, pokud nejsou starší 8 let a tyto činnosti nejsou prováděny pod dohledem.
6. Po použití vždy vytáhněte zástrčku ze zásuvky tak, že ji budete držet rukou. Netahejte za napájecí kabel.
7. Kabel, zástrčku, základnu a celé zařízení neponořujte do vody nebo jiné kapaliny. Nevystavujte zařízení atmosférickým podmínkám (dešť, slunce atd.) Ani jej nepoužívejte v prostředí s vysokou vlhkostí (koupelny, vlhké mobilní domy).
8. Pravidelně kontrolujte stav napájecího kabelu. Pokud je napájecí kabel poškozen, měl by jej vyměnit odborník v opravě, aby nedošlo k nebezpečí.
9. Nepoužívejte zařízení s poškozeným napájecím kabelem nebo pokud bylo upuštěno nebo jinak poškozeno nebo pokud nefunguje správně. Neopravujte zařízení sami, hrozí nebezpečí úrazu elektrickým proudem. Poškozené zařízení odнесите do příslušného servisního střediska ke kontrole nebo opravě. Veškeré opravy smějí provádět pouze autorizovaná servisní místa. Nesprávné provedené opravy mohou způsobit vážné nebezpečí pro uživatele.
10. Umístěte zařízení na chladný a stabilní povrch, mimo dosah horkých kuchyňských spotřebičů, jako je elektrický sporák, plynový hořák atd.
11. Nepoužívejte zařízení v blízkosti hořlavých materiálů.
12. Napájecí kabel nemusí viset přes okraj stolu nebo se dotýkat horkých povrchů.
13. Nikdy nenechávejte produkt připojený ke zdroji napájení bez dozoru. I když je používání na krátkou dobu přerušeno, vypněte jej ze sítě, odpojte napájení.
14. Pro zajištění dodatečné ochrany se doporučuje instalovat do elektrického obvodu proudový chránič (RCD) se jmenovitým zbytkovým proudem nepřesahujícím 30 mA. Požádejte o to elektrikáře.
15.  Nepoužívejte zařízení v blízkosti vody, např. ... ve sprše, vaně nebo nad umyvadlem s vodou.
16. Pokud je spotřebič používán v koupelně, po použití vytáhněte zástrčku ze zásuvky, protože blízkost vody představuje nebezpečí, i když je spotřebič vypnutý.
17. Chrante zařízení před navlhnutím. V případě, že zařízení spadne do vody, okamžitě vytáhněte zástrčku ze zásuvky. Je-li stroj připojen k síti, nedávejte ruce do vody. Před dalším použitím musí být zkontrolován kvalifikovaným elektrikářem.

18. Nedržte zařízení mokřýma rukama.
19. Po každém použití zařízení vždy vypněte. Před odpojením vypněte napájení.
20. Nikdy nezapínejte zařízení bez vody v nádrži na vodu.
21. Používejte pouze čistou a studenou vodu.
22. Nalévejte vodu do nádrže nad maximální hladinu.
23. Neponořujte podstavec zvlhčovače. Pokud se na zařízení rozlije voda, okamžitě jej odpojte ze zásuvky a nechejte jej uschnout.
24. Nepřidávejte žádné chemikálie do nádrže na vodu, nádrže na vodu nebo výstupu mlhy. Do vody nepřidávejte soli, odvápnovací tablety, prášky nebo čisticí prostředky.
25. Vstup mlhy a kryt nádrže na vodu by měly být vždy pevně uzavřeny.
26. Ujistěte se, že výstup mlhy zvlhčovače není namířen přímo na stěny, nábytek, elektrické zásuvky, elektrická a elektronická zařízení nebo na děti. Příliš vysoká vlhkost v místnosti může vést k hromadění vlhkosti, což způsobí růst bakterií a hub a poškození stěn, nábytku a tapet.
27. Neblokujte ventilaci zařízení. Udržujte vzdálenost nejméně 20 cm od zařízení. Neblokujte výstup vodní mlhy zvlhčovače.
28. Nepoužívejte zařízení, pokud existuje nebezpečí kondenzace. Na vnitřní a vnější straně zařízení se může tvořit vlhkost, když:
  - zařízení bylo přemístěno z chladného na teplé místo,
  - topný systém byl právě zapnutý,
  - zařízení se používá v místnosti s vysokou vlhkostí,
  - zařízení je chlazené chladicím systémem klimatizace.Dojde-li ke kondenzaci vlhkosti v zařízení, nemusí správně fungovat nebo se může v extrémních případech poškodit. V takovém případě přístroj nepoužívejte a nechejte ho několik hodin zaschnout.
29. Během provozu stroj nenaklánějte, neotáčejte, nepokoušejte se jej doplňovat nebo nalít vodu.
30. Během provozu zvlhčovače neodstraňujte nádrž ze základny zařízení.
31. Naplněná nádrž na vodu je těžká. Při přenášení jej také udržujte pod ním.
32. Nepoužívejte zvlhčovač, pokud zjistíte únik vody zpod zařízení.
33. Nenechávejte vodu ve zvlhčovači, pokud jej nepoužíváte.
34. Postupujte podle pokynů k čištění v této příručce.
35. Nikdy nedovolte, aby v základní nádrži zvlhčovače zůstala sedimentace, vlhkost nebo voda (mohlo by dojít ke kontaminaci nebo dokonce poškození ultrazvukového rozprašovače).
36. Při dlouhodobém provozu zařízení může vodní mlha vyzařovaná zvlhčovačem spadnout na podlahu a způsobit vlhkost.
37. Nezvedejte nádržku na vodu za výstup vodní mlhy.
38. Je zakázáno vkládat do výrobku nebo do mezer krytu kovové třísky, dráty, jehly a jiné cizí předměty, jinak by mohlo dojít k úrazu elektrickým proudem nebo poruše.
39. Uvědomte si, že vysoká vlhkost může podporovat růst biologických organismů a hub v životním prostředí.
40. Příliš vysoká vlhkost v místnosti může vést k hromadění vlhkosti a poškození stěn, nábytku, tapet a jiných elektrických spotřebičů, jako je televize. Nesměřujte výstup mlhy do blízkosti takových předmětů.
41. Nedovolte, aby oblast kolem zvlhčovače zvlhčila nebo zvlhla. Pokud dojde k vlhkosti, snižte produkci mlhy. Pokud kapacitu mlhy nelze snížit, používejte občas zvlhčovač. Chraňte absorpční materiály, jako jsou koberce, závěsy, závěsy nebo ubrusy, vlhké.
42. Nezakrývejte zařízení. Na horní část zařízení nepokládejte žádné předměty.
43. Nepoužívejte zařízení ve spojení s programátorem, časovačem nebo jiným zařízením, které automaticky zapíná zvlhčovač vzduchu.

Varování: Mikroorganismy, které se mohou nacházet v nádrži na vodu, budou vyfouknuty do vzduchu, což způsobí velmi vážné ohrožení zdraví. Abyste tomu zabránili, pravidelně měňte vodu a každé tři dny čistěte nádrž.

**Upozornění:** Nádrž na vodu by měla být vyprázdněna a doplněna každé tři dny. Před doplňováním jej očistíte čistou vodou nebo pomocí dostupných čisticích prostředků, pokud to vyžaduje výrobce. Odstraňte vodní kámen, usazeniny nebo film, který se vytvoří na stěnách nádrže. Po vyčištění osušte všechny dostupné povrchy.

Ultrazvukový zvlhčovač využívá princip ultrazvukové vysokofrekvenční oscilace, voda je atomizována na 1-5 mikronové ultra jemné částice, poté je vodní mlha rozptýlena do vzduchu přes pneumatické zařízení, aby se dosáhlo účelu rovnoměrného zvlhčení vzduchu, osvěžení vzduchu, hydrataje pokožku a zlepšuje zdraví.

Před prvním použitím

Když je zařízení zapnuté, nedotýkejte se atomizačního převodníku (12) rukou, aby nedošlo k poranění.

Popis zařízení: Ultrazvukový zvlhčovač

- |   |                                      |
|---|--------------------------------------|
| 1. Víko plnění vody   | 2. Víko nádrže na vodu               |
| 3. Rozprašovací tryska  | 4. Nádobka na aromaterapii           |
| 5. Potrubí pro mlžný vzduch                                     | 6. Nádrž na vodu                     |
| 7A. Tlačítko zapnutí / nastavení mlhy / režimu spánku / vypnutí |                                      |
| 7B. Tlačítko časovače   | 7C. Tlačítko trvalé vlhkosti         |
| 8. Displej  | 9. Přívod vzduchu                    |
| 10. Výstup mlhy   | 11. Výstup vzduchu                   |
| 12. Atomizační měnič  | 13. Aromaterapeutická bavlněná houba |
| 14. Čisticí kartáč  |                                      |

**PLNĚNÍ VODOU** – podívejte se na obrázek 7

- Umístěte zařízení na stabilní rovný povrch. Nezapomeňte naplnit vodu do odpojeného zařízení.
- Otevřete víko plnění vody (2) společně s víkem plnění vody (1).
- Pamatujte, že před přidáním vody musí být do nádrže na vodu nainstalován kanál pro mlžný vzduch (5).
- Při přidávání vody nevstříkujte vodu do rozprašovací trysky (3) a nevstříkujte vodu do výstupu mlhy (10), stejně jako nevstříkujte vodu do výstupu vzduchu (9).
- Dávejte pozor, abyste nepřekročili MAX (maximální) hladinu vody vyznačenou na výstupu vzduchu (9) - llok na obrázku 2. Použijte čistou vodu z vodovodu.
- Zavřete víko nádrže na vodu (2) společně s víkem pro plnění vody (1). Zapojte zařízení.
- Pokud se zařízení neplánuje používat, voda by měla být vyliata ze zásobníku na vodu (6).
- Pro omezení srážení vodního kamene z vody - bílý prášek lze k tomuto zařízení volitelně dokoupit vodní filtr číslo AD7972.1 u prodejce tohoto zařízení.

**FUNKCE AROMATERAPIE**

- Sejměte kryt nádržky na vodu (1) spolu s víkem plnění vody (1).
- Nakapejte 2-3 kapky esenciálního oleje na aromaterapeutickou bavlněnou houbu (13) a umístěte ji do nádoby na aromaterapii (4). Podívejte se na obrázek 4. Umístěte nádobu na aromaterapii (4) na horní část výstupu mlhy (10). Pěkná vůně se bude šířit spolu s mlhou.

**POZOR:** Pro tento přístroj jsou vhodné **POUZE** éterické oleje rozpustné ve vodě.

- NEKAPEJTE** esenciální oleje přímo do vody.

**ÚKON**

- Po zapojení zařízení vydá zvukový signál a zařízení přejde do pohotovostního stavu.
- Pro zapnutí zařízení stiskněte jednou zapínací tlačítko (7A). Výchozí hlasitost mlhy je nastavena na nízkou úroveň, na displeji (8) uvidíte dva řádky (obrázek 9B). Opakovaným stisknutím tohoto tlačítka (7A) změníte režimy na úroveň výstupu střední mlhy (obrázek 9C), vysoký objem mlhy (obrázek 9D), režim spánku (obrázek 9D) nebo vypnete zařízení (obrázek 9E).

**OCHRANA PROTI NEDOSTATKU VODY**

Když je zařízení v provozu, vestavěná pružina detekuje nedostatek vody. Poté zařízení přestane fungovat, na displeji (8) se zobrazí „EE“ a bliká po dobu 5 sekund a uslyšíte 3 zvukové signály. Poté zařízení přejde do pohotovostního stavu. Po přidání vody stiskněte zapínací tlačítko (7A), poté může zařízení normálně fungovat.

**NASTAVENÍ REŽIMU SPÁNKU**

Zařízení bude pracovat při středním výstupu mlhy po dobu 5 minut a na 5 minut pozastaví výstup mlhy, poté bude pracovat 5 minut a bude pauza na 10 minut; dále bude pracovat 5 minut a bude pauza 15 minut, další provoz bude pokračovat v takovém cyklu. V režimu spánku je displej (8) ztlumený – podívejte se na obrázek 9E.

## NASTAVENÍ ČASOVAČE

Výchozí nastavení je nula hodin. Během provozu opakovaně stiskněte tlačítko časovače (7B) pro výběr jedné z provozních period: 1 hodina nebo 2 hodiny nebo 4 hodiny nebo 6 hodin nebo znovu stiskněte pro vypnutí funkce časovače – podívejte se na obrázek 4. Funkce časovače zastaví provoz zařízení po uplynutí stanovené doby.

## NASTAVENÍ ÚROVNĚ VLHKOSTI

Během provozu zařízení stiskněte tlačítko trvalé vlhkosti (7C), můžete nastavit hodnotu vlhkosti v rozsahu 40-90% relativní vlhkosti, každým opakovaným stisknutím se zvýší hodnota o 5%. Když je nastavena úroveň vlhkosti, zařízení neustále zvlhčuje na požadovanou úroveň zvlhčování. Po dosažení požadované úrovně zvlhčování přejde zařízení do pohotovostního stavu a přestane rozprašovat mlhu, dokud se úroveň okolní vlhkosti nesníží na 5 % pod požadovanou úroveň zvlhčování. V takovém případě zařízení automaticky znovu spustí rozprašování mlhy. Podívejte se na obrázek 5.

## ČIŠTĚNÍ A ÚDRŽBA

1. Před čištěním zařízení odpojte. Pokud v nádrže na vodu (6) zbylo trochu vody, měla by se vylít nakloněním nádrže na vodu (6). **POZOR:** Důležitým problémem je správná poloha nádrže na vodu (6) při vylévání vody. Správné polohy je dosaženo, když výstup vzduchu (9) zůstane suchý a proud vody je veden protilehlým okrajem vodní nádrže (6).
2. Vyčistěte nádrž na vodu každé 3 dny.
3. Po určité době používání zařízení se snadno objeví vodní kámen a vytvoří se fenomén „bílého prášku“, je připojen k povrchu atomizačního převodníku (12), což ovlivňuje účinnost zvlhčování. Hlavní komponenty je nutné pravidelně čistit. Chcete-li vyčistit hlavní součásti, podívejte se na obrázek 6.
  - \* Otevřete kryt nádrže na vodu (2), demontujte potrubí pro mlžný vzduch (5) otáčením proti směru hodinových ručiček – podívejte se na obrázek 6A.
  - \* Otrěte vnitřek nádržky na vodu (6) a vedení pro mlžný vzduch (5) měkkým hadříkem – podívejte se na obrázek 6B.
  - \* Přidejte správné množství vody, vyčistěte zařízení čisticím kartáčkem (14) – podívejte se na obrázek 6C.
  - \* Otrěte atomizační převodník (12) vatovým tamponem přilepeným roztokem kyseliny citrónové.
4. Nedotýkejte se atomizéru ostrými tvrdými předměty.
5. K čištění nepoužívejte saponát, lepší je klanová voda. Poté osušte prvky měkkým hadříkem a nainstalujte potrubí pro mlžný vzduch (5) otáčením ve směru hodinových ručiček.
6. Vnější povrch pouzdra přístroje lze očistit vlhkým hadříkem a poté dosucha utírat čistým hadříkem. K otírání povrchu nepoužívejte chemická rozpouštědla, benzín, petrolej nebo leštící prášek.
7. Nedovolte, aby se při čištění dostala voda dovnitř krytu, aby nedošlo k poruše vnitřních součástí.
8. Před každým dalším použitím zařízení vyčistěte.

## ÚLOŽNÝ PROSTOR

1. Pro sezónní skladování by měl být přístroj prázdný, vyčištěný a suchý.
2. Skladování v sáčku proti prachu, na suchém místě.

## ŘEŠENÍ PROBLÉMŮ

Pokud zařízení nepracuje správně, před odesláním do poprodejněho servisu zkontrolujte následující možné důvody, abyste problémy vyřešili sami.

**PROBLÉM I.:** displej (8) nesvítí.

**MOŽNÁ PŘÍČINA PROBLÉMU I:** napájení není správně zapojeno.

**ŘEŠENÍ PROBLÉMU I:** zapojte napájecí kabel a zapněte napájení.

**PROBLÉM II.:** v nádrži je voda, při zapnutí zařízení bliká červená kontrolka

**MOŽNÁ PŘÍČINA PROBLÉMU II:** na atomizačním převodníku je příliš mnoho vodního kamene (12)

**ŘEŠENÍ PROBLÉMU II:** vyčistěte vodní kámen nahromaděný na atomizačním převodníku (12)

**PROBLÉM III.:** Množství atomizace je příliš malé

**MOŽNÝ DŮVOD PROBLÉMU III:**

Illa. Na atomizačním převodníku je příliš mnoho bílé stupnice (12)

IIIb. Voda je příliš špinavá nebo příliš dlouho skladovaná

IIIc. Objem mlhy byl nastaven na nízkou úroveň

**ŘEŠENÍ PROBLÉMU III:**

Illa. očistěte bílý vodní kámen na atomizačním převodníku (12)

IIIb. Změňte na čistou vodu

IIIc. Nastavte střední nebo vysokou úroveň mlhy

**PROBLÉM IV.:** Abnormální hluk

**MOŽNÝ DŮVOD PROBLÉMU IV:**

IVa. V nádrže na vodu je příliš málo vody

IVb. Koliduje s povrchem stolu a způsobuje chvění

**ŘEŠENÍ PROBLÉMU IV:**

IVa. Přidat vodu



IVb . Umístěte zařízení na pevný, hladký povrch

PROBLÉM V: Zvláštní vůně mlhy

MOŽNÁ PŘÍČINA PROBLÉMU II: Voda v nádrži na vodu není čistá nebo byla dlouho uchovávána

ŘEŠENÍ PROBLÉMU II: Vyčistěte nádrž na vodu, osušte ji, poté přidejte čistou vodu

TECHNICKÉ DATUM:

Výkon: 23W

Napájení: 220-240V ~50-60Hz

Kapacita nádržky na vodu : 4 litry



Ochrana životního prostředí. Kartón odevzdejte do sběru. Polyetylénové sáčky (PE) vyhazujte do kontejneru na plasty. Vysloužilý přístroj odevzdejte do příslušného sběrného dvoru, protože některé části zařízení mohou představovat pro životní prostředí nebezpečí. Elektrický přístroj odevzdejte tak, aby se omezilo jeho opětovné používání. Pokud jsou v přístroji baterie, vyjměte je a odevzdejte do příslušného sběrného místa zvlášť.

( HR ) HRVATSKI

## OPĆI UVJETI SIGURNOSTI

VAŽNE UPUTE O SIGURNOSTI PROČITAJTE PAŽLJIVO I SPREMITE U BUDUĆNOST

Jamstveni se uvjeti razlikuju ako se uređaj koristi u komercijalne svrhe.

1. Prije uporabe proizvoda pažljivo pročítajte i uvijek se pridržavajte sljedećih uputa.

Proizvođač nije odgovoran za štetu nastalu korištenjem uređaja protivno njegovoj namjeni ili nepravilnim radom.

2. Uređaj je samo za kućnu upotrebu. Nemojte koristiti u druge svrhe koje nisu za njegovu namjenu.

3. Uređaj treba priključiti samo na utičnicu 220-240 V ~ 50/60 Hz.

4. Budite posebno oprezni kada koristite uređaj kada su djeca u blizini. Ne dopustite djeci da se igraju uređajem, ne dopustite djeci ili ljudima koji nisu upoznati s uređajem da ga koriste.

5. UPOZORENJE: Ovu opremu mogu koristiti djeca starija od 8 godina i osobe s ograničenim fizičkim, senzornim ili mentalnim sposobnostima ili osobe koje nemaju iskustva ili znanja o opremi, ako se to radi pod nadzorom odgovorne osobe radi njihove sigurnosti ili su im dodijeljeni podaci o sigurnoj uporabi uređaja i svjesni su opasnosti njegove uporabe. Djeca se ne smiju igrati opremom. Čišćenje i održavanje uređaja ne smiju obavljati djeca, osim ako su starija od 8 godina i ako se te aktivnosti provode pod nadzorom.

6. Uvijek izvadite utikač iz utičnice nakon upotrebe držeći utičnicu rukom. NEMOJTE povlačiti kabel za napajanje.

7. Kabel, utikač, bazu i cijeli uređaj nemojte uranjati u vodu ili bilo koju drugu tekućinu. Uređaj ne izlažite atmosferskim uvjetima (kiša, sunce itd.) Ili ga koristite u uvjetima visoke vlažnosti (kupaonice, vlažne mobilne kućice).

8. Povremeno provjeravajte stanje kabela za napajanje. Ako je kabel za napajanje oštećen, treba ga zamijeniti stručnjak u popravnom centru kako bi se izbjegla opasnost.

9. Ne koristite uređaj s oštećenim kabelom za napajanje ili ako je pao ili oštećen na bilo koji drugi način ili ako ne radi ispravno. Ne popravljajte uređaj sami, jer postoji opasnost od strujnog udara. Odnosite oštećeni uređaj u odgovarajući servisni centar na provjeru ili popravak. Sve popravke mogu izvoditi samo ovlaštene servisne točke. Neispravno

izvedeni popravci mogu uzrokovati ozbiljnu opasnost za korisnika.

10. Uređaj postavite na hladnu, stabilnu površinu, dalje od vrućih kuhinjskih uređaja, kao što su električni štednjak, plinski plamenik itd.

11. Ne koristite uređaj u blizini zapaljivih materijala.

12. Kabel za napajanje možda neće visjeti preko ruba stola ili dodirivati vruće površine.

13. Nikada nemojte ostavljati proizvod priključen na izvor napajanja bez nadzora. Čak i kad je uporaba nakratko prekinuta, isključite je s mreže i isključite napajanje.

14. Kako bi se osigurala dodatna zaštita, poželjno je u električni krug ugraditi uređaj za preostalu struju (RCD) s nazivnom zaostalom strujom koja ne prelazi 30 mA. To pitajte električara.



15. Ne koristite uređaj u blizini vode, na pr. ... pod tušem, kadom ili iznad umivaonika s vodom.

16. Kad se aparat koristi u kupaonici, izvadite utikač iz utičnice nakon upotrebe, jer je blizina vode opasnost čak i kada je aparat isključen.

17. Ne dopustite da se uređaj smoči. U slučaju da uređaj padne u vodu, odmah izvadite utikač iz zidne utičnice. Ne stavlajte ruke u vodu kad je stroj povezan na mrežu. Prije ponovne uporabe mora ga provjeriti kvalificirani električar.

18. Ne držite uređaj mokrim rukama.

19. Uvijek isključite uređaj nakon svake upotrebe. Molimo isključite napajanje prije isključivanja.

20. Nikada ne palite uređaj bez vode u spremniku za vodu.

21. Koristite samo čistu, hladnu vodu.

22. Ne sipajte vodu u spremnik iznad maksimalne razine.

23. Ne potapajte bazu ovlaživača. Ako se voda prolje po uređaju, odmah ga odspojite i ostavite da se osuši.

24. Ne dodavajte nikakve kemikalije u bazen za vodu, spremnik za vodu ili izlaz za maglu. U vodu nemojte dodavati soli, tablete za uklanjanje kamenca, praške ili sredstva za čišćenje.

25. Ulaz za maglu i poklopac spremnika za vodu uvijek trebaju biti dobro zatvoreni.

26. Pazite da izlaz magle za ovlaživač zraka nije usmjeren izravno na zidove, namještaj, električne utičnice, električne i elektroničke uređaje ili djecu. Previsoka vlažnost u sobi može dovesti do nakupljanja vlage, uzrokujući rast bakterija i gljivica te oštećivanje zidova, namještaja i tapeta.

27. Ne blokirajte ventilaciju uređaja. Držite se na udaljenosti od uređaja najmanje 20 cm. Ne blokirajte izlaz vodene maglice ovlaživača zraka.

28. Ne koristite uređaj ako postoji opasnost od kondenzacije. Vлага se može stvoriti s unutarnje i vanjske strane uređaja kada:

- uređaj je premješten s hladnog na toplo mjesto,
- sustav grijanja je upravo uključen,
- uređaj se koristi u sobi s visokom vlagom,
- uređaj hladi sustav hlađenja klima uređaja.

Kada se u uređaju dogodi kondenzacija vlage, on možda neće raditi ispravno ili će se u ekstremnim slučajevima oštetiti. U tom slučaju nemojte koristiti uređaj i pustite da se osuši nekoliko sati.

29. Tijekom rada nemojte se naginjati, prevrtati ili pokušavati dolijevati ili izljevati vodu iz stroja.

30. Nemojte uklanjati spremnik s baze uređaja tijekom rada ovlaživača zraka.

31. Napunjeni spremnik za vodu je težak. Kad ga nosite, držite ga i ispod.

32. Ne koristite ovlaživač zraka ako utvrdite da ispod uređaja curi voda.

33. Ne ostavljajte vodu u ovlaživaču kad se ne koristi.

34. Slijedite upute za čišćenje u ovom priručniku.

35. Nikada ne dopustite da sedimentacija, vlaga ili voda ostanu u temeljnom spremniku ovlaživača (to može prouzročiti onečišćenje ili čak oštećenje ultrazvučnog raspršivača).

36. Tijekom duljeg rada uređaja, vodena magla koju emitira ovlaživač zraka može pasti na pod i uzrokovati vlagu.

37. Nemojte dizati spremnik za vodu uz izlaz vodene magle.

38. Zabranjeno je umetanje metalnih iverja, žice, igala i drugih stranih predmeta u proizvod ili u praznine kućišta, jer u protivnom može doći do strujnog udara ili kvara.

39. Imajte na umu da visoka razina vlage može potaknuti rast bioloških organizama i gljivica u okolišu.

40. Previše vlage u sobi može dovesti do nakupljanja vlage uzrokujući oštećenja zidova, namještaja, tapeta i drugih električnih uređaja poput TV-a. Ne usmjeravajte izlaz za maglu blizu takvih predmeta.

41. Ne dopustite da područje oko ovlaživača postane vlažno ili mokro. Ako se javi vlaga, smanjite stvaranje magle. Ako se kapacitet maglice ne može smanjiti, povremeno koristite ovlaživač zraka. Pazite da upijajući materijali, kao što su tepisi, zavjese, zavjese ili stolnjaci, ne postanu vlažni.

42. Ne prekrivajte uređaj. Ne stavljajte nikakve predmete na vrh uređaja.

43. Nemojte koristiti uređaj zajedno s programatorom, timerom ili drugim uređajem koji automatski uključuje ovlaživač zraka.

**Upozorenje:** Mikroorganizmi koji bi mogli biti prisutni u spremniku za vodu bit će otpuhani u zrak, uzrokujući vrlo ozbiljnu opasnost po zdravlje. Da biste to spriječili, redovito mijenjajte vodu i čistite spremnik svaka tri dana.

**Upozorenje:** Spremnik za vodu treba isprazniti i ponovno napuniti svaka tri dana. Prije ponovnog punjenja očistite ga slatkom vodom ili raspoloživim deterdžentima ako to zahtijeva proizvođač. Uklonite kamenac, naslage ili film koji se stvorio na stijenkama spremnika. Nakon čišćenja obrišite sve dostupne površine.

Ultrazvučni ovlaživač zraka koristi princip ultrazvučne visokofrekventne oscilacije, voda se raspršuje u ultra fine čestice od 1-5 mikrona, zatim se vodena magla raspršuje u zrak kroz pneumatski uređaj, kako bi se postigla svrha ravnomjernog ovlaživanja zraka, osvježavanja zraka, hidratizira kožu i poboljšava zdravlje.

Prije prve uporabe

Kada je uređaj uključen, nemojte dodirivati raspršivač (12) rukom kako biste izbjegli ozljede.

Opis uređaja: Ultrazvučni ovlaživač zraka

- |  |                                     |
|--|-------------------------------------|
| 1. Poklopac za punjenje vode   | 2. Poklopac spremnika za vodu       |
| 3. Mlaznica za raspršivanje  | 4. Spremnik za aromaterapiju        |
| 5. Kanal za zrak za maglu  | 6. Spremnik za vodu                 |
| 7A. Uključivanje / podešavanje magle / način mirovanja / gumb za isključivanje |                                     |
| 7B. Tipka mjerača vremena  | 7C. Gumb za kontinuiranu vlažnost   |
| 8. Zaslon  | 9. Ulaz zraka                       |
| 10. Otvor za maglu   | 11. Otvor za zrak                   |
| 12. Raspršivač sonde   | 13. Pamučna spužva za aromaterapiju |
| 14. Četka za čišćenje  |                                     |

PUNJENJE VODE – pogledajte sliku 7

1. Postavite uređaj na stabilnu, ravnu površinu. Ne zaboravite napuniti vodu do isključenog uređaja.
2. Otvorite poklopac za punjenje vode (2) zajedno s poklopcem za punjenje vode (1).
3. Imajte na umu da se zračni kanal za maglu (5) mora ugraditi unutar spremnika za vodu prije dodavanja vode.
4. Prilikom dodavanja vode nemojte ubrizgavati vodu u mlaznicu za raspršivanje (3) i nemojte ubrizgavati vodu u otvor za maglu (10), kao ni u otvor za odvod zraka (9).
5. Pazite da ne prekoračite MAX (maksimalnu) razinu vode označenu na izlazu za zrak (9) - llok na slici 2. Koristite čistu vodu iz slavine.
6. Zatvorite poklopac spremnika za vodu (2) zajedno s poklopcem za punjenje vode (1). Uključite uređaj.
7. Kada se uređaj ne planira koristiti vodu treba izliti iz spremnika za vodu (6).
8. Za smanjenje taloženja kamenca iz vode - bijelog praha, po želji možete kupiti filter za vodu za ovaj uređaj, broj AD7972.1 od prodavatelja ovog uređaja.

FUNKCIJA AROMATERAPIJE

1. Skinite poklopac spremnika za vodu (1) zajedno s poklopcem za punjenje vode (1).
2. Ulijte 2-3 kapi eteričnog ulja na aromaterapijsku pamučnu spužvu (13) i stavite je u posudu za aromaterapiju (4). Pogledajte sliku 4. Stavite posudu za aromaterapiju (4) na vrh otvora za raspršivanje (10). Lijep miris će se širiti zajedno s maglom.

PAŽNJA: Za ovaj uređaj prikladna su SAMO eterična ulja topiva u vodi.

3. NEMOJTE kapati eterična ulja izravno u vodu.

RAD

1. Nakon uključivanja uređaj daje zvučni signal i uređaj ulazi u stanje pripravnosti.
2. Za uključivanje uređaja pritisnite jednom tipku za uključivanje (7A). Zadana količina maglice postavljena je na nisku razinu, na zaslonu (8) vidjet ćete dvije crte (Slika 9B). Pritisnite ovu tipku (7A) više puta za promjenu načina na srednju razinu izlazne magle (Slika 9C), visoku količinu magle (Slika 9D), način mirovanja (Slika 9D) ili isključite uređaj (Slika 9E).

ZAŠTITA OD NESTAŠICE VODE

Kada uređaj radi, ugrađena opruga detektira nedostatak vode. Tada uređaj prestaje s radom, na displeju (8) će se prikazati "EE" i treptati 5 sekundi i čut ćete 3 zvučna signala. Nakon toga uređaj prelazi u stanje pripravnosti. Nakon dodavanja vode pritisnite tipku za uključivanje (7A), nakon čega uređaj može normalno raditi.

POSTAVLJANJE NAČINA SPAVANJA

Uređaj će raditi na srednjoj količini magle 5 minuta i pauzirati proizvodnju magle na 5 minuta, zatim će raditi 5 minuta i pauzirati 10 minuta; zatim će raditi 5 minuta i pauzirati 15 minuta, daljnji rad će se nastaviti u tom ciklusu. U stanju mirovanja zaslon (8) je zatamnjen – pogledajte sliku 9E.

POSTAVLJANJE TIMERA

Zadana postavka je nula sati. Tijekom rada više puta pritisnite tipku timera (7B) kako biste odabrali jedno od razdoblja rada timera: 1 sat ili 2 sata ili 4 sata ili 6 sati ili pritisnite ponovno za isključivanje funkcije timera – pogledajte sliku 4. Funkcija timera zaustavlja rad uređaja nakon što prođe određeno razdoblje.

PODEŠAVANJE RAZINE VLAGE

Tijekom rada uređaja pritisnite gumb za kontinuiranu vlažnost (7C), možete postaviti vrijednost vlažnosti u rasponu od 40-90% relativne vlažnosti, svakim ponovljenim pritiskom povećava se vrijednost za 5%. Kada je razina vlažnosti postavljena, uređaj konstantno ovlažuje do željene razine vlažnosti. Nakon postizanja željene razine ovlaživanja, uređaj ulazi u stanje pripravnosti i prestaje prskati maglu sve dok se razina vlažnosti okoline ne smanji na 5% ispod željene razine ovlaživanja. U tom slučaju uređaj automatski ponovno počinje prskati maglu. Pogledajte sliku 5.

## ČIŠĆENJE I ODRŽAVANJE

1. Isključite uređaj iz struje prije čišćenja. Ako je u spremniku za vodu (6) ostalo nešto vode, treba je izliti naginjanjem spremnika za vodu (6).

**PAŽNJA:** Važan problem je ispravan položaj spremnika za vodu (6) dok se voda izliva. Ispravan položaj postiže se kada izlaz zraka (9) ostane suh, a mlaz vode vodi suprotni rub spremnika za vodu (6).

2. Očistite spremnik za vodu svaka 3 dana.

3. Nakon što se uređaj koristi neko vrijeme, lako se pojavi kamenac i formira fenomen "bijelog praha", koji se pričvršćuje na površinu raspršivača (12), što utječe na učinkovitost ovlaživanja. Potrebno je redovito čistiti glavne komponente. Za čišćenje glavnih komponenti pogledajte sliku 6.

\* Otvorite poklopac spremnika za vodu (2), rastavite zračni kanal za maglu (5) okretanjem suprotno od kazaljke na satu - pogledajte sliku 6A.

\* Obrišite unutrašnjost spremnika za vodu (6) i zračni kanal za maglu (5) mekom krpom – pogledajte sliku 6B.

\* Dodajte odgovarajuću količinu vode, očistite uređaj četkom za čišćenje (14) - pogledajte sliku 6C.

\* Obrišite raspršivač sonde (12) pamučnim štapićem natopljenim otopinom limunske kiseline.

4. Nemojte koristiti oštri tvrdi pribor za dodirivanje raspršivača.

5. Nemojte koristiti deterđent za čišćenje, bolja je klanska voda. Zatim obrišite elemente mekom krpom, ugradite zračni kanal za maglu (5) okretanjem u smjeru kazaljke na satu.

6. Vanjska površina kućišta uređaja može se očistiti vlažnom krpom, a zatim obrisati suhom čistom krpom. Nemojte koristiti kemijska otapala, benzin, kerozin ili prašak za poliranje za brisanje površine.

7. Ne dopustite da voda uđe u kućište tijekom čišćenja kako biste izbjegli kvar unutarnjih komponenti.

8. Očistite uređaj prije svake sljedeće uporabe.

## SKLADIŠTENJE

1. Za sezonsko skladištenje uređaj treba biti prazan, očišćen i suh.

2. Skladištenje u vrećici za zaštitu od prašine, na suhom mjestu.

## RJEŠAVANJE PROBLEMA

Ako uređaj ne radi ispravno, provjerite sljedeće moguće razloge prije nego ga pošaljete postprodajnom servisu kako biste sami riješili probleme.

**PROBLEM I.:** Zaslon (8) nije uključen.

**MOGUĆI RAZLOG PROBLEMA I:** napajanje nije pravilno uključeno.

**RJEŠENJE PROBLEMA I:** uključite kabel za napajanje i uključite napajanje.

**PROBLEM II.:** u spremniku ima vode, crveno svjetlo treperi kada je uređaj uključen

**MOGUĆI RAZLOG PROBLEMA II:** ima previše kamenca na raspršivaču (12)

**RJEŠENJE PROBLEMA II:** očistite kamenac koji se nakuplja na raspršivaču (12)

**PROBLEM III.:** količina atomizacije je premala

**MOGUĆI RAZLOG PROBLEMA III:**

IIIa. Previše je bijelog kamenca na raspršivaču (12)

IIIb . Voda je previše prljava ili je predugo pohranjena

IIIc. Volumen magle postavljen je na nisku razinu

**RJEŠENJE PROBLEMA III:**

IIIa. očistite bijeli kamenac na raspršivaču (12)

IIIb . Promijenite u čistu vodu

IIIc. Postavite srednju ili visoku razinu magle

**PROBLEM IV.:** Nenormalna buka

**MOGUĆI RAZLOG PROBLEMA IV:**

IVa . U spremniku za vodu ima premalo vode

IVb . Sudari se s površinom stola i stvara podrtavanje

**RJEŠENJE PROBLEMA IV:**

IVa . dodajte vodu

IVb . Postavite uređaj na čvrstu, glatku površinu

**PROBLEM V:** Neobičan miris magle

**MOGUĆI RAZLOG PROBLEMA II:** Voda u spremniku za vodu nije čista ili je bila čuvana dugo vremena

**RJEŠENJE PROBLEMA II:** Očistite spremnik za vodu, osušite ga, zatim dodajte čistu vodu

## TEHNIČKI DATUM:

Snaga: 23W

Napajanje: 220-240V ~50-60Hz

Kapacitet rezervoara za vodu : 4 litre



Vodimo brigu o prirodnom okolišu. Kartonsku ambalažu molimo prenijeti na otpadni papir. Polietilen (PE) vreće bacati u kontejner za plastiku. Istrošena oprema treba biti premještena na prikladno mjesto za pohranu, jer sadrže u uređaju opasne tvari mogu predstavljati opasnost za okoliš. Električni uređaj mora biti predat u takvom stanju da se smanji mogućnost njegove ponovne upotrebe. Ako vaš uređaj ima baterije, treba njih ukloniti i predati na mjesto za pohranu odvojeno.

## YLEISET TURVALLISUUSOLOSUHTEET TÄRKEITÄ TURVALLISUUSOHJEITA LUE HUOLELLISESTI JA SÄÄSTÄ TULEVAISUUTTA

Takuuehdot ovat erilaiset, jos laitetta käytetään kaupallisiin tarkoituksiin.

1. Lue ennen tuotteen käyttöä huolellisesti ja noudata aina seuraavia ohjeita. Valmistaja ei ole vastuussa vahingoista, jotka aiheutuvat laitteen käytöstä sen käyttötarkoituksen vastaisesti tai virheellisestä käytöstä.
2. laite on tarkoitettu vain kotikäyttöön. Älä käytä muihin tarkoituksiin, joita ei ole tarkoitettu käyttötarkoitukseensa.
3. Laitte tulee kytkeä vain 220-240 V ~ 50/60 Hz -liitäntään.
4. Ole erityisen varovainen käyttäessäsi laitetta, kun lapset ovat lähellä. Älä anna lasten leikkiä laitteella, älä anna lasten tai muiden tuntemattomien käyttää laitetta.
5. VAROITUS: Tätä laitetta voivat käyttää yli 8-vuotiaat lapset ja henkilöt, joilla on rajoitetut fyysiset, sensoriset tai henkiset kyvyt, tai henkilöt, joilla ei ole kokemusta tai tietoa laitteista, jos tämä tapahtuu vastuuhenkilön valvonnassa. turvallisuuden vuoksi tai heille on annettu tietoa laitteen turvallisesta käytöstä ja he ovat tietoisia laitteen käytön vaaroista. Lasten ei tule leikkiä laitteiden kanssa. Lapset eivät saa puhdistaa ja huoltaa laitetta, elleivät he ole yli 8-vuotiaita ja nämä toimet suoritetaan valvonnassa.
6. Poista aina pistoke pistorasiasta käytön jälkeen pitämällä pistorasiata kädelläsi. ÄLÄ vedä virtajohdosta.
7. Älä upota kaapelia, pistoketta, jalustaa ja koko laitetta veteen tai mihinkään muuhun nesteeseen. Älä altista laitetta ilmasto-olosuhteille (sade, aurinko jne.) Tai käytä sitä kosteissa olosuhteissa (kylpyhuoneet, kosteat asuntovaunut).
8. Tarkista ajoittain virtajohto kunto. Jos virtajohto on vaurioitunut, vaaratilanteiden välttämiseksi se tulee vaihtaa huoltokeskuksen asiantuntijan toimesta.
9. Älä käytä laitetta vahingoittuneen virtajohto kanssa tai jos se on pudonnut tai vahingoittunut millään muulla tavalla tai jos se ei toimi kunnolla. Älä korjaa laitetta itse, koska on olemassa sähköiskun vaara. Vie vioittunut laite asianmukaiseen huoltokeskukseen tarkistusta tai korjausta varten. Kaikki korjaukset saavat suorittaa vain valtuutetut huoltopisteet. Väärin tehdyt korjaukset voivat aiheuttaa vakavan vaaran käyttäjälle.
10. Aseta laite viileälle, vakaalle alustalle, kaukana kuumista keittiökoneista, kuten sähköliesi, kaasupolttimet jne.
11. Älä käytä laitetta tulenarkojen materiaalien lähellä.
12. Virtajohto ei saa roikkua pöydän reunan yli tai koskettaa kuumia pintoja.
13. Älä koskaan jätä tuotetta virtalähteeseen kytkettynä ilman valvontaa. Vaikka käyttö keskeytyisi lyhyeksi ajaksi, katkaise se verkkovirrasta, irrota virta.
14. Lisäsuojan tarjoamiseksi on suositeltavaa asentaa vikavirtasuojalaite sähköpiiriin, jonka nimellisvikavirta on enintään 30 mA. Kysy tätä sähköasentajalta.
15. Älä käytä laitetta veden lähellä, esim. ... suihkussa, kylpyammeessa tai pesualtaan yläpuolella vedellä.
16. Kun laitetta käytetään kylpyhuoneessa, irrota pistoke pistorasiasta käytön jälkeen, koska veden läheisyys on vaarallinen, vaikka laite sammutettaisiin.
17. Älä anna laitteen kastua. Irrota heti pistoke pistorasiasta, jos laite putoaa veteen. Älä laita kätesi veteen, kun kone on kytketty verkkoon. Pätevän sähköasentajan on tarkistettava se ennen uudelleenkäyttöä.
18. Älä pidä laitetta märillä käsillä.
19. Sammuta laite aina jokaisen käytön jälkeen. Katkaise virta ennen pistorasian irrottamista.
20. Älä koskaan käynnistä laitetta ilman vettä vesisäiliössä.
21. Käytä vain puhdasta, viileää vettä.
22. Älä kaada vettä säiliöön enimmäismäärän yläpuolelle.
23. Älä upota kostuttimen alustaa. Jos vettä valuu laitteeseen, irrota se heti pistorasiasta ja anna sen kuivua.



24. Älä lisää kemikaaleja vesialtaaseen, vesisäiliöön tai sumun poistoaukkoon. Älä lisää veteen suoloja, kalkinpoistotabletteja, jauheita tai puhdistusaineita.
25. Sumun tuloaukon ja vesisäiliön kannen tulee olla aina tiukasti kiinni.
26. Varmista, että ilmankostuttimen sumuputki ei ole suunnattu suoraan seiniin, huonekaluihin, pistorasioihin, sähköisiin ja elektronisiin laitteisiin tai lapsiin. Liian korkea kosteus huoneessa voi johtaa kosteuden kerääntymiseen, bakteerien ja sienien kasvuun sekä seinien, huonekalujen ja tapettien vaurioitumiseen.
27. Älä peitä laitteen ilmanvaihtoa. Pidä vähintään 20 cm etäisyys laitteesta. Älä tuki ilmankostuttimen vesisumuulostuloa.
28. Älä käytä laitetta, jos kondensoitumisvaara on olemassa. Kosteutta voi muodostua laitteen sisä- ja ulkopuolelle, kun:
- laite siirretään kylmästä lämpimään paikkaan,
  - lämmitysjärjestelmä on juuri kytketty päälle,
  - laitetta käytetään huoneessa, jossa on korkea kosteus,
  - laite jäädytetään ilmastointijäähdytysjärjestelmällä.
- Kun laitteessa tapahtuu kosteuden tiivistymistä, se ei välttämättä toimi kunnolla tai voi vaurioitua äärimmäisissä tapauksissa. Älä tällöin käytä laitetta ja anna sen kuivua muutaman tunnin ajan.
29. Älä kallista, käännä ympäri tai yritä lisätä tai kaataa vettä koneesta käytön aikana.
30. Älä poista säiliötä laitteen pohjasta kostuttimen käytön aikana.
31. Täytetty vesisäiliö on raskas. Pidä sitä kannettaessa myös sen alla.
32. Älä käytä ilmankostutinta, jos laitteen alla on vuotoja.
33. Älä jätä vettä ilmankostuttimeen, kun sitä ei käytetä.
34. Noudata tämän oppaan puhdistusohjeita.
35. Älä koskaan anna sakkautumisen, kosteuden tai veden jäädä kostuttimen pohjasäiliöön (tämä voi aiheuttaa saastumista tai jopa vaurioita ultraäänisumuttimelle).
36. Laitteen pitkäaikaisen käytön aikana kostuttimen päästämä vesisumu voi pudota lattialle ja aiheuttaa kosteutta.
37. Älä nosta vesisäiliötä vesisumuulostulosta.
38. Metallirakeiden, langan, neulojen ja muiden vieraiden esineiden asettaminen tuotteeseen tai kotelon rakoihin on kielletty, muuten se voi aiheuttaa sähköiskun tai toimintahäiriön.
39. Huomaa, että korkea kosteustaso voi kannustaa biologisten organismien ja sienien kasvua ympäristössä.
40. Liian suuri kosteus huoneessa voi johtaa kosteuden kerääntymiseen ja vahingoittaa seinä, huonekaluja, tapetteja ja muita sähkölaitteita kuten TV. Älä suuntaa sumuaukkoa lähelle tällaisia esineitä.
41. Älä anna kostuttimen ympärillä olevan alueen kastua tai kastua. Jos kosteutta esiintyy, sammuta sumutustoiminto. Jos sumutehoa ei voida vähentää, käytä ilmankostutinta ajoittain. Älä anna imukykyisten materiaalien, kuten mattojen, verhojen, verhojen tai pöytäliinojen, kastua.
42. Älä peitä laitetta. Älä aseta mitään esineitä laitteen päälle.
43. Älä käytä laitetta yhdessä ohjelmoijan, ajastimen tai muun laitteen kanssa, joka kytkee ilmankostuttimen automaattisesti päälle.

**Varoitus:** Vesisäiliössä mahdollisesti olevat mikro-organismit puhalletaan ilmaan aiheuttaen erittäin vakavan terveysvaaran. Tämän välttämiseksi vaihda vesi säännöllisesti ja puhdista säiliö kolmen päivän välein.

**Varoitus:** Vesisäiliö on tyhjennettävä ja täytettävä uudelleen kolmen päivän välein. Puhdista se ennen täyttöä puhtaalla vedellä tai valmistajan niin vaatimalla saatavilla olevilla pesuaineilla. Poista säiliön seinille muodostunut kalkki, kerrostumat tai kalvo. Pyyhi puhdistuksen jälkeen kuivaksi kaikki saatavilla olevat pinnat.

Ultraäänikostutin käyttää ultraääni-kerkeataajuista värähtelyperiaatetta, vesi sumutetaan 1-5 mikronin erittäin hienoiksi hiukkaskiksi, sitten vesisumu hajotetaan ilmaan pneumaattisen laitteen kautta, jotta saavutetaan ilman tasainen kostutus, virkistävä ilma, kosteuttaa ihoa ja parantaa terveyttä.

Ennen ensimmäistä käyttöä

Kun laite on päällä, älä koske sumutintamuuntimeen (12) kädellä välttääksesi loukkaantumisen.

Laitteen kuvaus: Ultraäänikostutin

- |   |                               |
|---|-------------------------------|
| 1. Veden täyttökansi  | 2. Vesisäiliön kansi          |
| 3. Sumutussuutin  | 4. Aromaterapiasäiliö         |
| 5. Sumuilmanakanava   | 6. Vesisäiliö                 |
| 7A. Päällekytkentä / Sumun säätö / Lepotila / Sammutuspainike |                               |
| 7B. Ajastinpainike  | 7C. Jatkuva kosteuspainike    |
| 8. Näyttö   | 9. Ilmanottoaukko             |
| 10. Sumun poisto  | 11. Ilman ulostulo            |
| 12. Sumutusanturi   | 13. Aromaterapiapuuvillasieni |
|   | 14. Puhdistusharja            |

VEDEN TÄYTTÖ – katso kuva 7

1. Aseta laite vakaalle, tasaiselle alustalle. Muista täyttää vesi irrotettuun laitteeseen.
2. Avaa veden täyttökansi (2) ja veden täyttökansi (1).
3. Muista, että sumuilmanakanava (5) on asennettava vesisäiliön sisään ennen veden lisäämistä.
4. Kun lisäät vettä, älä ruiskuta vettä suihkutussuuttimeen (3) äläkä ruiskuta vettä sumun poistoaukkoon (10) äläkä ruiskuta vettä ilmanpoistoaukkoon (9).
5. Älä ylitä ilmanpoistoaukkoon (9) merkittyä MAX (maksimi) vesitasoa - katso kuva 2. Käytä puhdasta vesijohtovettä.
6. Sulje vesisäiliön kansi (2) ja veden täyttökansi (1). Kytke laite pistorasiaan.
7. Kun laitetta ei ole tarkoitus käyttää, vesi tulee kaataa vesisäiliöstä (6).
8. Vähentääksesi kalkkikerrostuman muodostumista vedestä - valkoisesta jauheesta, voit valinnaisesti ostaa tähän laitteeseen vesisuodattimen, numero AD7972.1 tämän laitteen myyjältä.

AROMATERAPIATOIMINTO

1. Irrota vesisäiliön kansi (1) ja veden täyttökansi (1).
  2. Kaada 2-3 tippaa eteeristä öljyä aromaterapiapuuvillasienelle (13) ja aseta se aromaterapiaastiaan (4). Katso kuvaa 4. Aseta aromaterapiasäiliö (4) sumun poistoaukon (10) päälle. Mukava tuore jaetaan yhdessä sumun kanssa.
- HUOMIO: VAIN vesiliukoiset eteeriset öljyt sopivat tähän laitteeseen.
3. ÄLÄ tiputa eteerisiä öljyjä suoraan veteen.

OPERAATIO

1. Kytkemisen jälkeen laite antaa äänimerkin ja laite siirtyy valmiustilaan.
2. Kytke laite päälle painamalla kerran päällekytkentäpainiketta (7A). Sumun oletusvoimakkuus on asetettu alhaiselle tasolle, näet näytössä (8) kaksi riviä (kuva 9B). Paina tätä painiketta (7A) toistuvasti vaihtaaksesi tilat keskitason sumun lähtötason (kuva 9C), suureen sumun äänenvoimakkuuteen (kuva 9D), lepotilaan (kuva 9D) tai kytkeäksesi laitteen pois päältä (kuva 9E).

SUOJA VEDEN PUUTTA

Kun laite toimii, sisäänrakennettu jousi havaitsee veden puutteen. Sitten laite lakkaa toimimasta, näytössä (8) näkyy "EE" ja vilkkuu 5 sekunnin ajan ja kuulet 3 äänimerkkiä. Tämän jälkeen laite siirtyy valmiustilaan. Kun olet lisännyt vettä, paina käynnistuspainiketta (7A), jolloin laite voi toimia normaalisti.

LEPOTILAN ASETUS

Laite toimii keskiteholla 5 minuuttia ja keskeyttää sumun tuoton 5 minuutiksi, sitten se toimii 5 minuuttia ja se pysähtyy 10 minuutiksi; seuraavaksi se toimii 5 minuuttia ja se pysähtyy 15 minuutiksi, jatkotoimintaa jatketaan tällaisessa jaksossa. Lepotilassa näyttö (8) on himmennetty – katso kuva 9E.

AJASTIN ASETUS

Oletusasetus on nolla tuntia. Paina käytön aikana ajastinpainiketta (7B) toistuvasti valitaksesi ajastimen toimintajakson: 1 tunti tai 2 tuntia tai 4 tuntia tai 6 tuntia tai paina uudelleen sammuttaaksesi ajastintoininnon – katso kuva 4. Ajastintoininto pysäyttää toiminnan laitteen määrääjän kuluttua.

KOSTEUDEN TASON ASETUS

Paina jatkuvan kosteuden painiketta (7C) laitteen käytön aikana, voit asettaa kosteusarvon alueelle 40-90 % suhteellisesta kosteudesta, jokainen toistuva painallus kasvaa 5 % arvolla. Kun kosteustaso on asetettu, laite kostuttaa jatkuvasti halutulle kosteustasolle. Kun haluttu kostutustaso on saavutettu, laite siirtyy valmiustilaan ja lopettaa sumun ruiskuttamisen, kunnes ympäristön kosteustaso on laskenut 5 % halutun kostutustason alapuolelle. Tällöin laite alkaa ruiskuttaa sumua uudelleen



automaattisesti. Katso kuva 5.

## PUHDISTUS JA HUOLTO

1. Irrota laite ennen puhdistamista. Jos vesisäiliöön (6) on jäänyt vettä, se tulee kaataa kallistamalla vesisäiliötä (6).  
HUOMIO: Tärkeä ongelma on vesisäiliön (6) oikea asento, kun vettä kaadetaan. Oikea asento saavutetaan, kun ilmanpoistaukko (9) pysyy kuivana ja vesivirta johdetaan vesisäiliön (6) vastakkaisen reunan kautta.
2. Puhdista vesisäiliö 3 päivän välein.
3. Laitteen käytön jälkeen on helppo ilmaantua hilsettä ja muodostuu "valkoinen jauhe" -ilmiö, se kiinnittyy sumuttimen (12) pintaan vaikuttaen kostutustehokkuuteen. Pääkomponentit on puhdistettava säännöllisesti. Pääosien puhdistamista varten katso kuva 6.  
\* Avaa vesisäiliön kansi (2), pura sumuilmakanava (5) kiertämällä sitä vastapäivään - katso kuva 6A.  
\* Pyyhi vesisäiliön (6) sisäpuoli ja sumuilmakanava (5) pehmeällä liinalla – katso kuva 6B.  
\* Lisää oikea määrä vettä, puhdista laite puhdistusharjalla (14) - katso kuva 6C.  
\* Pyyhi sumutusanturi (12) sitruunahappoliuoksella kiinnitetyllä pumpulipuikolla.
4. Älä kosketa sumuttimeen teräviä kovia välineitä.
5. Älä käytä pesuainetta puhdistukseen, klaanivesi on parempi. Kuivaa elementit seuraavaksi pehmeällä liinalla, asenna sumuilmakanava (5) myötäpäivään kiertämällä.
6. Laitteen kotelon ulkopinta voidaan puhdistaa kostealla liinalla ja pyyhkiä sitten kuivaksi puhtaalla liinalla. Älä käytä kemiallisia liuottimia, bensiiniä, kerosiinia tai kiillotusjauhetta pinnan pyyhkimiseen.
7. Älä anna veden joutua kotelon sisään puhdistuksen aikana, jotta sisäosat eivät toimi kunnolla.
8. Puhdista laite ennen jokaista seuraavaa käyttöä.

## SÄILYTYS

1. Kausivarastointia varten laitteen tulee olla tyhjä, puhdistettu ja kuiva.
2. Säilytys pussissa pölyltä estämiseksi , kuivassa paikassa.

## ONGELMIEN KARTTOITTAMINEN

Jos laite ei toimi kunnolla, tarkista seuraavat mahdolliset syyt ennen kuin lähetät sen myynninjälkeiseen huoltoon ratkaistaksesi ongelmat itse.

ONGELMA I.: näyttö (8) ei ole päällä.

ONGELMAN I MAHDOLLINEN SYY: virtaa ei ole kytketty kunnolla.

ONGELMAN I RATKAISU: kytke virtajohto ja kytke virta päälle.

ONGELMA II.: säiliössä on vettä, punainen valo vilkkuu, kun laite käynnistetään

ONGELMAN II MAHDOLLINEN SYY: sumuttavassa muuntimessa on liikaa skaalaa (12)

ONGELMAN II RATKAISU: puhdista sumutusanturiin (12) kerääntynyt kalkki.

ONGELMA III.: sumutuksen määrä on liian pieni

ONGELMAN III MAHDOLLINEN SYY:

IIIa. Sumuttimessa on liian paljon valkoista asteikkoa (12)

IIIb . Vesi on liian likaista tai sitä on säilytetty liian kauan

IIIc. Sumun määrä oli asetettu alhaiselle tasolle

ONGELMAN III RATKAISU:

IIIa. puhdista valkoinen kalkkikerros sumutusanturista (12)

IIIb . Vaihda puhtaaseen veteen

IIIc. Aseta keski tai korkea sumutaso

ONGELMA IV: Epänormaalia melua

ONGELMAN IV MAHDOLLINEN SYY:

IVa . Vesisäiliössä on liian vähän vettä

IVb . Se törmää pöydän pintaan aiheuttaen tärinää

ONGELMAN IV RATKAISU:

IVa . lisää vesi

IVb . Aseta laite kiinteälle, sileälle pinnalle

ONGELMA V: Erikoinen sumun haju

ONGELMAN II MAHDOLLINEN SYY: Vesisäiliössä oleva vesi ei ole puhdasta tai sitä on säilytetty pitkään

ONGELMAN II RATKAISU: Puhdista vesisäiliö, kuivaa se ja lisää seuraavaksi puhdasta vettä

## TEKNINEN PÄIVÄMÄÄRÄ:

Teho: 23W

Virtalähde: 220-240V ~50-60Hz

Vesisäiliön tilavuus : 4 litraa

Kantakaamme huolta ympäristöstä. Pahvipakkauksen pyydämme laittamaan paperikierrätykseen. Polyeteenipussit (PE) tulee laittaa muovien kierrätysastiaan. Loppuun käytetyt laitteet tulee toimittaa asianmukaiseen keräyspisteeseen, koska laitteen sisältämät vaaralliset aineosat voivat olla ympäristölle vahingollisia. Sähkölaite tulee toimittaa siten, että sen uudelleenkäyttö on estetty. Jos laitteessa on paristo, paristo tulee poistaa ja toimittaa erillisesti keräyspisteeseen.



## ALLMÄNNA SÄKERHETSVILLKOR

## VIKTIGA SÄKERHETSANVISNINGAR LÄS NATT OCH SPARA FÖR FRAMTID

Garantivillkoren är olika om enheten används i kommersiellt syfte.

1. Läs noga innan du använder produkten och följ alltid följande instruktioner. Tillverkaren ansvarar inte för skador som orsakats av att enheten används i strid med dess avsedda syfte eller felaktig användning.
2. enheten är endast avsedd för hemmabruk. Använd inte för andra ändamål som inte är avsedda för dess avsedda ändamål.
3. Enheten ska endast anslutas till ett 220-240 V ~ 50/60 Hz-uttag.
4. Var särskilt försiktig när du använder enheten när barn är i närheten. Låt inte barn leka med enheten, låt inte barn eller personer som inte känner till enheten använda den.
5. **WARNING:** Denna utrustning kan användas av barn över 8 år och personer med begränsad fysisk, sensorisk eller mental förmåga, eller personer som inte har någon erfarenhet eller kunskap om utrustningen, om detta görs under överinseende av en ansvarig person för deras säkerhet eller har fått dem information om säker användning av enheten och är medvetna om farorna med att använda den. Barn ska inte leka med utrustningen. Rengöring och underhåll av enheten bör inte utföras av barn, om de inte är över 8 år och dessa aktiviteter utförs under övervakning.
6. Ta alltid ut kontakten ur eluttaget efter användning genom att hålla uttaget med handen. Dra INTE i nätsladden.
7. Sänk inte kabeln, kontakten, basen och hela enheten i vatten eller någon annan vätska. Utsätt inte enheten för atmosfäriska förhållanden (regn, sol osv.) Eller använd den under hög luftfuktighet (badrum, fuktiga husbilar).
8. Kontrollera regelbundet nätsladden. Om nätsladden är skadad, bör den bytas ut av en specialist i reparatör för att undvika fara.
9. Använd inte enheten med en skadad nätkabel eller om den har tappats eller skadats på något annat sätt eller om den inte fungerar som den ska. Reparera inte enheten själv, eftersom det finns risk för elchock. Ta den skadade enheten till ett lämpligt servicecenter för kontroll eller reparation. Alla reparationer får endast utföras av auktoriserade servicepunkter. Felaktigt utförda reparationer kan orsaka allvarlig fara för användaren.
10. Placera enheten på en sval, stabil yta, borta från heta köksapparater som elspis, gasbrännare etc.
11. Använd inte enheten nära brandfarliga material.
12. Nätsladden får inte hänga över kanten på ett bord eller vidröra heta ytor.
13. Lämnna aldrig produkten ansluten till strömkällan utan tillsyn. Även om användningen avbryts under en kort stund, stäng av den från nätverket, koppla ur strömmen.
14. För att ge ytterligare skydd rekommenderas det att installera en jordfelsbrytare i den elektriska kretsen med en märkström som inte överstiger 30 mA. Be en elektriker om detta.
15. Använd inte enheten nära vatten, t.ex. ... i duschen, badkaret eller ovanför tvättstället med vatten.
16. När apparaten används i ett badrum, ta ut kontakten ur uttaget efter användning, eftersom närheten till vatten är en fara även när apparaten stängs av.
17. Låt inte enheten bli våt. Om enheten hamnar i vatten, ta omedelbart ut kontakten ur vägguttaget. Lagg inte händerna i vatten när maskinen är ansluten till nätverket. Det måste kontrolleras av en kvalificerad elektriker innan du använder den igen.
18. Håll inte enheten med våta händer.
19. Stäng alltid av enheten efter varje användning. Stäng av strömmen innan du drar ur kontakten.
20. Slå aldrig på enheten utan vatten i vattentanken.
21. Använd endast rent, kallt vatten.
22. Håll inte vatten i tanken över maxnivån.
23. Sänk inte ner luftfuktarens bas. Om vatten läcker ut på enheten, dra omedelbart ur kontakten och låt den torka.
24. Tillsätt inga kemikalier i vattenbassängen, vattentanken eller dimmautloppet. Tillsätt inte



salter, avkalkningstabletter, pulver eller rengöringsmedel i vattnet.

25. Dimmaintag och vattentankhölje ska alltid vara tätt stängda.

26. Se till att luftfuktarens dimma inte riktas direkt mot väggar, möbler, eluttag, elektriska och elektroniska apparater eller barn. För hög luftfuktighet i ett rum kan leda till fuktansamling, orsaka bakterier och svampar att växa och skada väggar, möbler och tapeter.

27. Blockera inte enhetens ventilation. Håll ett avstånd på minst 20 cm från enheten. Blockera inte luftfuktarens vattendimma.

28. Använd inte enheten om det finns risk för kondens. Fukt kan bildas på insidan och utsidan av enheten när:

- enheten flyttas från en kall till en varm plats,
- värmesystemet har just slås på,
- enheten används i ett rum med hög luftfuktighet,
- enheten kyls av luftkonditioneringssystemets kylsystem.

När kondens uppstår i enheten kan det hända att den inte fungerar ordentligt eller kan skadas i extrema fall. Använd i så fall inte enheten och låt den torka några timmar.

29. Luta inte, vänd eller försök att fylla på eller håll vatten ur maskinen under drift.

30. Ta inte bort tanken från enhetens botten under luftfuktarens drift.

31. Den fyllda vattentanken är tung. När du bär den, håll den också under.

32. Använd inte en luftfuktare om du upptäcker vattenläckage under enheten.

33. Lämna inte vatten i luftfuktaren när den inte används.

34. Följ rengöringsanvisningarna i denna handbok.

35. Låt aldrig sedimentation, fukt eller vatten finnas kvar i luftfuktarens bastank (detta kan orsaka kontaminering eller till och med skada på ultraljudförstärkaren).

36. Vid långvarig användning av enheten kan vattendimman som avges av luftfuktaren falla på golvet och orsaka fukt.

37. Lyft inte vattentanken i vattendimman.

38. Det är förbjudet att sätta in metallflis, tråd, nålar och andra främmande föremål i produkten eller i hålrummen, annars kan det orsaka elektrisk stöt eller fel.

39. Var medveten om att hög luftfuktighet kan uppmuntra tillväxten av biologiska organismer och svampar i miljön.

40. För mycket fuktighet i rummet kan leda till fuktansamling och orsaka skador på väggar, möbler, tapeter och elektriska apparater som TV. Rikta inte dimmautloppet nära sådana föremål.

41. Låt inte området runt luftfuktaren bli fuktigt eller vått. Om fukt uppstår, skruva ner dimproduktionen. Om dimkapaciteten inte kan minskas, använd luftfuktaren med jämna mellanrum. Låt inte absorberande material som mattor, gardiner, draperier eller dukar bli fuktiga.

42. Täck inte över enheten. Placera inga föremål ovanpå enheten.

43. Använd inte enheten tillsammans med en programmerare, timer eller annan enhet som automatiskt slår på luftfuktaren.

**Varning:** Mikroorganismer som kan finnas i vattentanken kommer att blåsas upp i luften, vilket orsakar en mycket allvarlig hälsorisk. För att förhindra detta, byt vattnet regelbundet och rengör tanken var tredje dag.

**Varning:** Vattentanken bör tömmas och fyllas på var tredje dag. Innan du fyller på, rengör den med färskt vatten eller använd tillgängliga rengöringsmedel om så krävs av tillverkaren. Ta bort glödska, avlagringar eller en film som har bildats på tankens väggar. Efter rengöring, torka av alla tillgängliga ytor.

Ultraljudsfuktare använder ultraljuds högfrekvent oscillationsprincip, vattnet finfördelas till 1-5 mikron ultrafina partiklar, sedan sprids vattendimman ut i luften genom den pneumatiska enheten, för att uppnå syftet att jämnt befukta luften, uppfriskande luft, återfuktar

huden och förbättrar hälsan.

Före första användningen

När enheten är påslagen, rör inte en finfördelningsgivare (12) med handen för att undvika skada.

Enhetsbeskrivning: Ultraljudsluftfuktare

- |  |                                  |
|--|----------------------------------|
| 1. Vattenpåfyllningslock                                 | 2. Vattentanklock                |
| 3. Spraymunstycke  | 4. Aromaterapibehållare          |
| 5. Dimluftkanal  | 6. Vattentank                    |
| 7A. Slå på / Dimjustering / Viloläge / Avstängningsknapp |                                  |
| 7B. Timerknapp   | 7C. Kontinuerlig fuktighetsknapp |
| 8. Display   | 9. Luftinlopp                    |
| 10. Dimutlopp  | 11. Luftuttag                    |
| 12. Finfördelningsgivare                                 | 13. Aromaterapi bomullssvamp     |
|  | 14. Rengöringsborste             |

VATTENFYLLNING – titta på figur 7

1. Placera enheten på en stabil, plan yta. Kom ihåg att fylla på vattnet till urkopplad enhet.
2. Öppna vattenpåfyllningslocket (2) tillsammans med vattenpåfyllningslocket (1).
3. Kom ihåg att dimluftskanalen (5) måste installeras i vattentanken innan du fyller på vattnet.
4. Injicera inte vatten i sprutmunstycket (3) när du fyller på vatten och spruta inte in vatten i luftutloppet (9).
5. Var uppmärksam på att inte överskrida den MAX (maximala) vattennivån som är markerad på luftutloppet (9) - se figur 2. Använd rent kranvatten.
6. Stäng vattentankens lock (2) tillsammans med vattenpåfyllningslocket (1). Koppla in enheten.
7. När enheten inte är planerad att användas ska vattnet hällas ur vattentanken (6).
8. För att minska utfällningen av kalk från vattnet - vitt pulver kan du eventuellt köpa ett vattenfilter för denna enhet, nummer AD7972.1 från säljaren av denna enhet.

AROMATERAPI FUNKTION

1. Ta bort vattentankens lock (1) tillsammans med vattenpåfyllningslocket (1).
  2. Häll 2-3 droppar eterisk olja på en aromaterapi-bomullssvamp (13) och placera den i en aromaterapibehållare (4). Titta på figur 4. Placera en aromaterapibehållare (4) på toppen av dimutloppet (10). Den fina doften kommer att fördelas tillsammans med dimma.
- OBSERVERA: ENDAST vattenlösliga eteriska oljor är lämpliga för denna enhet.
3. Droppa INTE eteriska oljor direkt i vattnet.

DRIFT

1. Efter att ha anslutit enheten ger en ljudsignal och enheten går in i standby-läge.
2. För att slå på enheten tryck en gång på påslagningsknappen (7A). Standarddimvolymen är inställd på låg nivå, du kommer att se på displayen (8) två rader (Figur 9B). Tryck på den här knappen (7A) upprepade gånger för att ändra lägena till medelhög dimutgångsnivå (Figur 9C), hög dimvolym (Figur 9D), viloläge (Figur 9D) eller stänga av enheten (Figur 9E) i tur och ordning.

SKYDD AV VATTENBRIST

När enheten fungerar, upptäcker den inbyggda fjädern bristen på vatten. Sedan slutar enheten att fungera, displayen (8) visar "EE" och blinkar i 5 sekunder och du kommer att höra 3 ljudsignaler. Efter detta går enheten in i standby-läge. Efter att ha tillsatt vattnet, tryck på strömbrytaren (7A), då kan enheten fungera normalt.

INSTÄLLNING AV VILLÄGE

Enhetsen kommer att arbeta med medelhög dimma i 5 minuter och den kommer att pausa dimutgången i 5 minuter, sedan fungerar den i 5 minuter och den pausar i 10 minuter; sedan kommer den att fungera i 5 minuter och den pausar i 15 minuter, ytterligare operation kommer att fortsätta i en sådan cykel. I viloläge är displayen (8) nedtonad – se figur 9E.

TIMERINSTÄLLNING

Standardinställningen är noll timmar. Under drift, tryck på timerknappen (7B) upprepade gånger för att välja en av timerns driftperiod: 1 timme eller 2 timmar eller 4 timmar eller 6 timmar eller tryck igen för att stänga av timerfunktionen – se figur 4. Timerfunktionen stoppar driften av enheten efter att den bestämda perioden har gått.

INSTÄLLNING AV FUKTIGHETSNIVÅ

Under enhetens drift trycker du på knappen för kontinuerlig fuktighet (7C), du kan ställa in luftfuktighetsvärdet i intervallet 40-90% av relativ fuktighet, varje upprepad tryckning ökar med 5% värde. När fuktighetsnivån är inställd, befuktar enheten hela tiden till önskad befuktningnivå. Efter att ha uppnått önskad befuktningnivå går enheten in i standby-läge och slutar spruta dimman tills den omgivande luftfuktigheten minskat till 5 % under önskad befuktningnivå. I sådana fall börjar enheten automatiskt spraya dimman igen. Titta på bild 5.

## STÄDNING OCH UNDERHÅLL

1. Koppla ur enheten före rengöring. Om det finns lite vatten kvar i vattentanken (6) ska det hällas ut genom att luta vattentanken (6).  
OBSERVERA: Viktigt problem är att vattentanken (6) är korrekt placerad när vattnet hälls ut. Rätt läge uppnås när luftutloppet (9) förblir torrt och vattenströmmen leds av motsatt kant av vattentanken (6).
2. Rengör vattentanken var tredje dag.
3. Efter att enheten har använts under en viss tid är det lätt att det uppstår skal och bilda ett "vitt pulver"-fenomen, den fästs på ytan av en finfördelningsgivare (12), vilket påverkar befuktningseffektiviteten. Det är nödvändigt att rengöra huvudkomponenterna regelbundet. Se figur 6 för att rengöra huvudkomponenterna.  
\* Öppna vattentankens lock (2), demontera dimluftkanalen (5) genom att rotera moturs - se figur 6A.  
\* Torka av insidan av vattentanken (6) och dimluftkanalen (5) med en mjuk trasa – se figur 6B.  
\* Tillsätt lämplig mängd vatten, rengör enheten med rengöringsborsten (14) - se figur 6C.  
\* Torka av en finfördelningsgivare (12) med en bomullspinne fast med citronsyralösning.
4. Använd inte vassa hårda redskap för att röra finfördelaren.
5. Använd inte rengöringsmedel för att rengöra, klanvatten är bättre. Torka sedan elementen med en mjuk trasa, installera dimluftkanalen (5) genom att rotera medurs.
6. Den yttre ytan av enhetens hölje kan rengöras med en fuktig trasa och sedan torkas torr med en ren trasa. Använd inte kemiska lösningsmedel, bensin, fotogen eller polerpulver för att torka av ytan.
7. Låt inte vattnet komma in i höljet vid rengöring för att undvika att de invändiga komponenterna inte fungerar.
8. Rengör enheten före varje nästa användning.

## LAGRING

1. För säsongslagring ska enheten vara tom, rengjord och torr.
2. Förvara i påse för att förhindra damm , på torr plats.

## FELSÖKNING

Om enheten inte fungerar korrekt, kontrollera med följande möjliga orsaker innan du skickar den till kundservice för att lösa problem på egen hand.

PROBLEM I.: displayen (8) är inte på.

MÖJLIG ORSAK TILL PROBLEM I: strömmen är inte ordentligt ansluten.

LÖSNING PÅ PROBLEM I: Anslut nätsladden och slå på strömmen.

PROBLEM II.: det finns vatten i tanken, den röda lampan blinkar när enheten slås på

MÖJLIG ORSAK TILL PROBLEM II: det finns för mycket skala på en finfördelningsgivare (12)

LÖSNING AV PROBLEM II: rengör skalan som samlas på finfördelningsgivaren (12)

PROBLEM III.: finfördelningsmängden är för liten

MÖJLIG ORSAK TILL PROBLEM III:

IIIa. Det finns för många vita skalor på finfördelningsgivaren (12)

IIIb . Vattnet är för smutsigt eller för länge lagrat

IIIc. Dimvolymen ställdes in på låg nivå

LÖSNING AV PROBLEM III:

IIIa. rengör den vita kalken på en finfördelningsgivare (12)

IIIb . Byt till rent vatten

IIIc. Ställ in medel eller hög dimmanivå

PROBLEM IV.: Onormalt ljud

MÖJLIG ORSAK TILL PROBLEM IV:

IVa . Det är för mindre vatten i vattentanken

IVb . Den kolliderar med bordsytan för att skapa skakningar

LÖSNING AV PROBLEM IV:

IVa . Lägg till vatten

IVb . Placera enheten på en fast, slät yta

PROBLEM V: Konstig lukt av dimma

MÖJLIG ORSAK TILL PROBLEM II: Vattnet i vattentanken är inte rent eller så har det bevarats under lång tid

LÖSNING AV PROBLEM II: Rengör vattentanken, torka den, tillsätt sedan rent vatten

## TEKNISKT DATUM:

Effekt: 23W

Strömförsörjning: 220-240V ~50-60Hz

Vattentankens kapacitet : 4 liter



Vi sköter om miljön. Överlämna förpackningar i kartong till pappersavfall. Polyetylsäckar (PE) slängs i avfallsbehållare för plast. Man bör lämna en gammal apparat till en riktig återvinningscentral, eftersom farliga komponenter i apparaten kan orsaka fara till miljön. En elektrisk apparat bör lämnas för att minska förnyad användning av denna. Om apparaten innehåller batterier, bör man ta bort dem och lämna dem separat till återvinningscentraler.

## VŠEOBECNÉ BEZPEČNOSTNÉ PODMIENKY DÔLEŽITÉ BEZPEČNOSTNÉ POKYNY. ČÍTAJTE POZORNE A UCHOVÁVAJTE DO BUDÚCNOSTI

Záručné podmienky sa líšia, ak je prístroj používaný na komerčné účely.

1. Pred použitím produktu si pozorne prečítajte a vždy dodržujte nasledujúce pokyny. Výrobca nezodpovedá za škody spôsobené použitím prístroja v rozpore s jeho určením alebo nesprávnou obsluhou.
2. Zariadenie je určené iba na domáce použitie. Nepoužívajte na iné účely, ktoré nie sú na určený účel.
3. Zariadenie by malo byť pripojené iba k zásuvke 220 - 240 V ~ 50/60 Hz.
4. Buďte zvlášť opatrní pri používaní prístroja, keď sú v jeho blízkosti deti. Nedovoľte, aby sa s prístrojom hrali deti, nedovoľte, aby ho používali deti alebo osoby, ktoré s ním nie sú oboznámené.
5. **UPOZORNENIE:** Toto zariadenie môžu používať deti staršie ako 8 rokov a osoby s obmedzenými fyzickými, zmyslovými alebo duševnými schopnosťami alebo osoby, ktoré nemajú žiadne skúsenosti alebo znalosti o tomto zariadení, ak to robia pod dohľadom zodpovednej osoby. kvôli svojej bezpečnosti alebo im boli poskytnuté informácie o bezpečnom používaní prístroja a sú si vedomí nebezpečenstva pri jeho používaní. Deti by sa s prístrojom nemali hrať. Čistenie a údržbu zariadenia by nemali vykonávať deti, pokiaľ nie sú staršie ako 8 rokov a tieto činnosti sa nevykonávajú pod dohľadom.
6. Po použití vždy vyťahnite zástrčku zo sieťovej zásuvky tak, že ju budete držať rukou. NEŤahajte za napájací kábel.
7. Kábel, zástrčka, základňa a celé zariadenie neponárajte do vody alebo inej tekutiny. Nevystavujte prístroj poveternostným podmienkam (dážď, slnko atď.) Ani ho nepoužívajte v prostredí s vysokou vlhkosťou (kúpeľne, vlhké mobilné domy).
8. Pravidelne kontrolujte stav napájacieho kábla. Ak je napájací kábel poškodený, mal by ho vymeniť odborník v servise, aby sa zabránilo nebezpečenstvu.
9. Nepoužívajte prístroj s poškodeným napájacím káblom, ak spadol alebo bol poškodený iným spôsobom alebo nefunguje správne. Neopravujte prístroj svojpomocne, pretože by mohlo dôjsť k úrazu elektrickým prúdom. Poškodené zariadenie odnešte na kontrolu alebo opravu do príslušného servisného strediska. Všetky opravy môžu vykonávať iba autorizované servisné strediská. Nesprávne vykonané opravy môžu spôsobiť vážne nebezpečenstvo pre používateľa.
10. Umiestnite prístroj na chladný a stabilný povrch, mimo dosahu horúcich kuchynských spotrebičov, ako sú elektrický sporák, plynový horák atď.
11. Nepoužívajte prístroj v blízkosti horľavých materiálov.
12. Napájací kábel nemusí visieť cez okraj stola alebo sa dotknúť horúcich povrchov.
13. Nikdy nenechávajte produkt pripojený k zdroju napájania bez dozoru. Aj keď je používanie na chvíľu prerušené, vypnite ho zo siete a odpojte napájanie.
14. Na zaistenie dodatočnej ochrany sa odporúča inštalovať do elektrického obvodu zariadenie na zvyškový prúd (RCD) s menovitým zvyškovým prúdom nepresahujúcim 30 mA. Požiadajte o to elektrikára.
15.  Nepoužívajte prístroj v blízkosti vody, napr. ... v sprche, vani alebo nad umývadlom s vodou.
16. Ak sa spotrebič používa v kúpeľni, po použití odpojte zástrčku zo zásuvky, pretože blízkosť vody predstavuje riziko aj po vypnutí spotrebiča.
17. Nenechajte prístroj navlhnúť. V prípade, že prístroj spadne do vody, okamžite vyťahnite zástrčku zo zásuvky. Ak je stroj pripojený k sieti, nedávajte ruky do vody. Pred ďalším použitím musí byť skontrolovaný kvalifikovaným elektrikárom.
18. Nedržte prístroj mokrymi rukami.
19. Po každom použití prístroj vždy vypnite. Pred odpojením odpojte napájanie.
20. Nikdy nezapínajte prístroj bez vody v nádrži na vodu.
21. Používajte iba čistú a studenú vodu.

22. Nelejte vodu do nádrže nad maximálnu hladinu.
23. Neponárajte podstavec zvlhčovača. Ak sa na zariadenie vyleje voda, okamžite ho odpojte zo zásuvky a nechajte vyschnúť.
24. Do nádrže na vodu, nádrže na vodu alebo výstupu hmlы nepridávajte žiadne chemikálie. Do vody nepridávajte soli, odvápnovacie tablety, prášky alebo čistiace prostriedky.
25. Prívod hmlы a kryt nádrže na vodu by mali byť vždy tesne uzavreté.
26. Uistite sa, že výstup hmlы zvlhčovača nesmeruje priamo na steny, nábytok, elektrické zásuvky, elektrické a elektronické zariadenia alebo na deti. Príliš vysoká vlhkosť v miestnosti môže viesť k hromadeniu vlhkosti, spôsobiť množenie baktérií a plesní a poškodiť steny, nábytok a tapety.
27. Neblokujte vetranie prístroja. Udržujte vzdialenosť najmenej 20 cm od prístroja. Neblokujte výstup vodnej hmlы zvlhčovača.
28. Nepoužívajte prístroj, ak existuje riziko kondenzácie. Na vnútornej a vonkajšej strane prístroja sa môže vytvárať vlhkosť, keď:
  - zariadenie sa premiestňuje z chladného na teplé miesto,
  - vykurovací systém bol práve zapnutý,
  - prístroj sa používa v miestnosti s vysokou vlhkosťou,
  - zariadenie je chladené chladiacim systémom klimatizácie.Ak sa v prístroji skondenzuje vlhkosť, nemusí pracovať správne alebo sa môže v extrémnych prípadoch poškodiť. V takom prípade prístroj nepoužívajte a nechajte ho niekoľko hodín sušiť.
29. Počas prevádzky stroj nenakláňajte, neobracaajte, nepokúšajte sa ho dolievať alebo vylievať vodu.
30. Počas činnosti zvlhčovača nevyberajte nádrž zo základne prístroja.
31. Naplnená nádrž na vodu je ťažká. Pri prenášaní ho majte tiež pod ním.
32. Nepoužívajte zvlhčovač, ak spozorujete únik vody spod prístroja.
33. Pokiaľ zvlhčovač nepoužívate, nenechávajte ho.
34. Dodržujte pokyny na čistenie uvedené v tejto príručke.
35. Nikdy nedovoľte, aby v základnej nádrži zvlhčovača zostala sedimentácia, vlhkosť alebo voda (mohlo by to spôsobiť kontamináciu alebo dokonca poškodenie ultrazvukového rozprašovača).
36. Počas dlhodobej prevádzky zariadenia môže vodná hmlа emitovaná zvlhčovačom spadnúť na podlahu a spôsobiť vlhkosť.
37. Nezdvíhajte nádržku na vodu za výstup vodnej hmlы.
38. Je zakázané vkladať do výrobku alebo do medzier krytu kovové triesky, drôt, ihly a iné cudzie predmety, inak by to mohlo spôsobiť úraz elektrickým prúdom alebo poruchu.
39. Uvedomte si, že vysoká vlhkosť vzduchu môže podporiť rast biologických organizmov a plesní v životnom prostredí.
40. Príliš veľa vlhkosti v miestnosti môže viesť k hromadeniu vlhkosti a poškodeniu stien, nábytku, tapiet a iných elektrických spotrebičov, napríklad televízora. Nesmerujte výstup hmlы do blízkosti týchto predmetov.
41. Nedovoľte, aby okolie zvlhčovača bolo vlhké alebo vlhké. Ak sa vyskytne vlhkosť, znížte produkciu hmlы. Ak nie je možné znížiť objem hmlы, používajte občas zvlhčovač. Nenechajte absorpčné materiály, ako sú koberce, záclony, závesy alebo obrusy, vlhké.
42. Nezakrývajte zariadenie. Na hornú časť zariadenia nekladte žiadne predmety.
43. Nepoužívajte zariadenie v spojení s programátorom, časovačom alebo iným zariadením, ktoré automaticky zapína zvlhčovač.

Upozornenie: Mikroorganizmy, ktoré sa môžu nachádzať v nádrži na vodu, budú vyfúknuté do vzduchu, čo spôsobí veľmi vážne ohrozenie zdravia. Aby ste tomu zabránili, pravidelne vymieňajte vodu a čistite nádrž každé tri dni.

Upozornenie: Nádržku na vodu je potrebné vyprázdniť a doplniť každé tri dni. Pred

doplnením ho vyčistíte čistou vodou alebo použitím dostupných čistiacich prostriedkov, ak to vyžaduje výrobca. Odstráňte vodný kameň, usadeniny alebo film, ktorý sa vytvoril na stenách nádrže. Po vyčistení utrite dosucha všetky prístupné povrchy.

Ultrazvukový zvlhčovač využíva princíp ultrazvukovej vysokofrekvenčnej oscilácie, voda sa atomizuje na ultra jemné častice s veľkosťou 1-5 mikróvov, potom sa vodná hmla rozptýli do vzduchu cez pneumatické zariadenie, aby sa dosiahol účel rovnomerného zvlhčovania vzduchu, osviežujúci vzduch, hydratuje pokožku a zlepšuje zdravie.

Pred prvým použitím

Keď je zariadenie zapnuté, nedotýkajte sa atomizačného prevodníka (12) rukou, aby ste sa neporanili.

Popis prístroja: Ultrazvukový zvlhčovač

- |  |  |
|--|--|
| 1. Veko na plnenie vody  | 2. Kryt nádržky na vodu                |
| 3. Rozprašovacia tryska  | 4. Aromaterapeutická nádoba            |
| 5. Hmlový vzduchový kanál  | 6. Nádrž na vodu                       |
| 7A. Tlačidlo zapnutia / nastavenia hmly / režimu spánku / vypnutia |  |
| 7B. Tlačidlo časovača  | 7C. Tlačidlo nepretržitej vlhkosti     |
| 8. Displej   | 9. Prívod vzduchu                      |
| 10. Výstup hmly  | 11. Výstup vzduchu                     |
| 12. Atomizačný menič   | 13. Aromaterapeutická bavlnená špongia |
| 14. Čistiaca kefka   |  |

PLNENIE VODOU – pozrite sa na obrázok 7

1. Umiestnite zariadenie na stabilný rovný povrch. Nezabudnite naplniť vodu do odpojeného zariadenia.
2. Otvorte kryt na plnenie vody (2) spolu s krytom na plnenie vody (1).
3. Pamätajte, že pred pridaním vody musí byť vo vnútri nádrže na vodu nainštalované potrubie na hmlu (5).
4. Pri pridávaní vody nevstrekujte vodu do rozprašovacej trysky (3) a nevstrekujte vodu do výstupu hmly (10), ako aj nevstrekujte vodu do výstupu vzduchu (9).
5. Dávajte pozor, aby ste neprekročili MAX (maximálnu) hladinu vody vyznačenú na výstupe vzduchu (9) - llok na obrázku 2. Použite čistú vodu z vodovodu.
6. Zatvorte kryt nádržky na vodu (2) spolu s vekom na plnenie vody (1). Zapojte zariadenie.
7. Keď sa zariadenie neplánuje používať, voda by sa mala vyliať z nádržky na vodu (6).
8. Pre zníženie zrážania vodného kameňa z vody - biely prášok je možné k tomuto prístroju voliteľne dokúpiť vodný filter, číslo AD7972.1 u predajcu tohto prístroja.

FUNKCIA AROMATERAPIE

1. Odstráňte kryt nádržky na vodu (1) spolu s vekom na plnenie vody (1).
2. Nalejte 2-3 kvapky esenciálneho oleja na aromaterapeutickú bavlnenú špongiu (13) a vložte ju do nádoby na aromaterapiu (4). Pozrite si obrázok 4. Umiestnite nádobu na aromaterapiu (4) na hornú časť výstupu hmly (10). Pekná vôňa sa bude šíriť spolu s hmlou.

POZOR: Pre toto zariadenie sú vhodné iba éterické oleje rozpustné vo vode.

3. NEKAPAJTE esenciálne oleje priamo do vody.

PREVÁDZKA

1. Po zapojení prístroj vydá zvukový signál a prístroj prejde do pohotovostného stavu.
2. Ak chcete prístroj zapnúť, stlačte raz zapínacie tlačidlo (7A). Predvolená hlasitosť hmly je nastavená na nízku úroveň, na displeji (8) uvidíte dva riadky (obrázok 9B). Opakovaným stláčaním tohto tlačidla (7A) zmeníte režimy na strednú úroveň výstupu hmly (obrázok 9C), vysoký objem hmly (obrázok 9D), režim spánku (obrázok 9D) alebo vypnete zariadenie (obrázok 9E).

OCHRANA NEDOSTATKU VODY

Keď je zariadenie v prevádzke, vstavaná pružina zistí nedostatok vody. Potom zariadenie prestane fungovať, na displeji (8) sa zobrazia „EE“ a bude blikať 5 sekúnd a budete počuť 3 zvukové signály. Potom sa zariadenie prepne do pohotovostného stavu. Po pridaní vody stlačte tlačidlo zapnutia (7A), potom môže zariadenie normálne fungovať.

NASTAVENIE REŽIMU SPÁNKU

Zariadenie bude pracovať pri strednom výstupe hmly 5 minút a výstup hmly preruší na 5 minút, potom pracuje 5 minút a preruší sa na 10 minút; ďalej bude pracovať 5 minút a pauza 15 minút, ďalšia prevádzka bude pokračovať v takomto cykle. V režime spánku je displej (8) stmelený – pozrite si obrázok 9E.



## NASTAVENIE ČASOVAČA

Predvolené nastavenie je nula hodín. Počas prevádzky opakovane stláčajte tlačidlo časovača (7B), aby ste zvolili jeden z intervalov činnosti časovača: 1 hodina alebo 2 hodiny alebo 4 hodiny alebo 6 hodín alebo opätovným stlačením funkciu časovača vypnite – pozrite si obrázok 4. Funkcia časovača zastaví prevádzku zariadenia po uplynutí stanoveného obdobia.

## NASTAVENIE ÚROVNE VLNKOSTI

Počas prevádzky prístroja stlačte tlačidlo nepretržitej vlhkosti (7C), hodnotu vlhkosti môžete nastaviť v rozsahu 40-90% relatívnej vlhkosti, každým opakovaným stlačením sa zvýši hodnota o 5%. Keď je nastavená úroveň vlhkosti, zariadenie neustále zvlhčuje na požadovanú úroveň zvlhčovania. Po dosiahnutí požadovanej úrovne zvlhčovania zariadenie prejde do pohotovostného stavu a prestane rozprašovať hmlu, kým sa úroveň okolitej vlhkosti neznižuje na 5 % pod požadovanú úroveň zvlhčovania. V takom prípade prístroj začne opäť automaticky rozprašovať hmlu. Pozrite si obrázok 5.

## ČISTENIE A ÚDRŽBA

1. Pred čistením zariadenie odpojte. Ak v nádržke na vodu (6) zostalo nejaké množstvo vody, treba ju vyliať naklonením nádržky na vodu (6).

UPOZORNENIE: Dôležitým problémom je správna poloha nádržky na vodu (6), keď sa voda vylieva. Správna poloha sa dosiahne, keď výstup vzduchu (9) zostane suchý a prúd vody je vedený protifaľným okrajom nádržky na vodu (6).

2. Nádrž na vodu vyčistíte každé 3 dni.

3. Po určitom čase používania zariadenia sa ľahko objaví vodný kameň a vytvorí sa fenomén „bieleho prášku“, je prípravený k povrchu atomizačného prevodníka (12), čo ovplyvňuje účinnosť zvlhčovania. Hlavné komponenty je potrebné pravidelne čistiť. Ak chcete vyčistiť hlavné komponenty, pozrite si obrázok 6.

\* Otvorte kryt nádrže na vodu (2), demontujte potrubie na hmlu (5) otáčaním proti smeru hodinových ručičiek – pozrite si obrázok 6A.

\* Utrite vnútro nádržky na vodu (6) a vzduchový kanál na hmlu (5) mäkkou handričkou – pozrite si obrázok 6B.

\* Pridajte správne množstvo vody, vyčistíte zariadenie čistiacou kefkou (14) – pozrite si obrázok 6C.

\* Utrite atomizačný prevodník (12) vatovým tampónom prilepeným roztokom kyseliny citrónovej.

4. Nedotýkajte sa atomizéra ostrými tvrdými predmetmi.

5. Na čistenie nepoužívajte saponát, lepšia je klanová voda. Potom prvky osušte mäkkou handričkou a nainštalujte potrubie na hmlu (5) otáčaním v smere hodinových ručičiek.

6. Vonkajší povrch krytu prístroja je možné čistiť vlhkou handričkou a následne utrieť do sucha čistou handričkou. Na utieranie povrchu nepoužívajte chemické rozpúšťadlá, benzín, petrolej ani leštiace prášky.

7. Pri čistení nedovoľte, aby sa do krytu dostala voda, aby ste predišli poruche vnútorných komponentov.

8. Pred každým ďalším použitím prístroj vyčistíte.

## SKLADOVANIE

1. Pre sezónne uskladnenie by malo byť zariadenie prázdne, vyčistené a suché.

2. Skladovanie vo vrecku na ochranu pred prachom na suchom mieste.

## RIEŠENIE PROBLÉMOV

Ak zariadenie nefunguje správne, pred odoslaním do popredajného servisu skontrolujte nasledujúce možné dôvody, aby ste problém vyriešili svojpomocne.

PROBLÉM I.: displej (8) nesvieti.

MOŽNÁ PRÍČINA PROBLÉMU I: napájanie nie je správne zapojené.

RIEŠENIE PROBLÉMU I: zapojte napájací kábel a zapnite napájanie.

PROBLÉM II.: v nádrži je voda, pri zapnutí prístroja bliká červená kontrolka

MOŽNÁ PRÍČINA PROBLÉMU II: na atomizačnom prevodníku je príliš veľa vodného kameňa (12)

RIEŠENIE PROBLÉMU II: vyčistíte vodný kameň nahromadený na atomizačnom prevodníku (12)

PROBLÉM III.: množstvo atomizácie je príliš malé

MOŽNÝ DÔVOD PROBLÉMU III:

IIIa. Na atomizačnom prevodníku je príliš veľa bielej stupnice (12)

IIIb . Voda je príliš špinavá alebo príliš dlho skladovaná

IIIc. Objem hmly bol nastavený na nízku úroveň

RIEŠENIE PROBLÉMU III:

IIIa. vyčistíte biely vodný kameň na atomizačnom prevodníku (12)

IIIb . Zmeňte na čistú vodu

IIIc. Nastavte strednú alebo vysokú úroveň hmly

PROBLÉM IV.: Abnormálny hluk

MOŽNÝ DÔVOD PROBLÉMU IV:

IVa . V nádržke na vodu je príliš málo vody

IVb . Naráža na povrch stola a vytvára chvenie

RIEŠENIE PROBLÉMU IV:

IVa . pridajte vodu

IVb . Zariadenie umiestnite na pevný, hladký povrch

PROBLÉM V: Zvláštny zápach hmly

MOŽNÁ PRÍČINA PROBLÉMU II: Voda v nádrži na vodu nie je čistá alebo bola dlho uchovávaná

RIEŠENIE PROBLÉMU II: Vyčistite nádržku na vodu, vysušte ju a potom pridajte čistú vodu

TECHNICKÝ DÁTUM:

Výkon: 23W

Napájanie: 220-240V ~50-60Hz

Objem nádržky na vodu : 4 litre



Starostlivosť o životné prostredie. Kartónový obal odovzdajte do zberných surovín. Polyetylénové vrecká (PE) vyhodte do kontajnera na plast. Opatrebný spotrebič odovzdajte na príslušný zberný dvor, nebezpečné látky spotrebiča môžu predstavovať riziko pre životné prostredie. Elektrosprebič odstráňte tak, aby nedochádzalo j jeho ďalšiemu použitiu. Ak sa v spotrebiči nachádzajú batérie, vyberte ich a odovzdajte ich na zberné miesto osobitne. Spotrebič nevyhadzujte do kontajnera na komunálny odpad!

(IT) ITALIANO

## CONDIZIONI GENERALI DI SICUREZZA IMPORTANTI ISTRUZIONI DI SICUREZZA LEGGERE ATTENTAMENTE E CONSERVARE PER IL FUTURO

Le condizioni di garanzia sono diverse se il dispositivo viene utilizzato per scopi commerciali.

1. Prima di utilizzare il prodotto leggere attentamente e seguire sempre le seguenti istruzioni. Il produttore non è responsabile per danni causati dall'uso del dispositivo in contrasto con lo scopo previsto o da un funzionamento improprio.
2. Il dispositivo è solo per uso domestico. Non utilizzare per altri scopi che non sono per lo scopo previsto.
3. Il dispositivo deve essere collegato solo a una presa da 220-240 V ~ 50/60 Hz.
4. Prestare particolare attenzione quando si utilizza il dispositivo quando ci sono bambini nelle vicinanze. Non permettere ai bambini di giocare con il dispositivo, non permettere a bambini o persone che non hanno familiarità con il dispositivo di usarlo.
5. **AVVERTENZA:** questa apparecchiatura può essere utilizzata da bambini di età superiore a 8 anni e da persone con capacità fisiche, sensoriali o mentali limitate o da persone che non hanno esperienza o conoscenza dell'apparecchiatura, se ciò avviene sotto la supervisione di una persona responsabile per la loro sicurezza o sono state fornite loro informazioni sull'uso sicuro del dispositivo e sono consapevoli dei pericoli derivanti dall'utilizzo dello stesso. I bambini non devono giocare con l'attrezzatura. La pulizia e la manutenzione del dispositivo non devono essere eseguite da bambini, a meno che non abbiano più di 8 anni e queste attività siano svolte sotto supervisione.
6. Rimuovere sempre la spina dalla presa di corrente dopo l'uso tenendo la presa con la mano. **NON** tirare il cavo di alimentazione.
7. Non immergere il cavo, la spina, la base e l'intero dispositivo in acqua o altri liquidi. Non esporre il dispositivo a condizioni atmosferiche (pioggia, sole, ecc.) o utilizzare in condizioni di elevata umidità (bagni, case mobili umide).
8. Controllare periodicamente le condizioni del cavo di alimentazione. Se il cavo di alimentazione è danneggiato, deve essere sostituito da uno specialista in un centro di riparazione per evitare pericoli.
9. Non utilizzare il dispositivo con un cavo di alimentazione danneggiato o se è caduto o è stato danneggiato in altro modo o se non funziona correttamente. Non riparare il dispositivo da soli, poiché esiste il rischio di scosse elettriche. Portare il dispositivo danneggiato presso un centro di assistenza appropriato per il controllo o la riparazione. Tutte le riparazioni possono essere eseguite solo da punti di assistenza autorizzati. Riparazioni eseguite in modo non corretto possono causare seri pericoli per l'utente.
10. Posizionare il dispositivo su una superficie fresca e stabile, lontano da elettrodomestici da cucina caldi come fornelli elettrici, fornelli a gas, ecc.
11. Non utilizzare il dispositivo vicino a materiali infiammabili.
12. Il cavo di alimentazione non può pendere dal bordo di un tavolo o toccare superfici calde.

13. Non lasciare mai il prodotto collegato alla fonte di alimentazione senza supervisione. Anche quando l'utilizzo viene interrotto per breve tempo, spegnerlo dalla rete, scollegare l'alimentazione.

14. Per fornire una protezione aggiuntiva, si consiglia di installare un dispositivo di corrente residua (RCD) nel circuito elettrico con una corrente residua nominale non superiore a 30 mA. Chiedi a un elettricista per questo.



15. Non utilizzare il dispositivo vicino all'acqua, ad es. ... sotto la doccia, nella vasca da bagno o sopra il lavabo con acqua.

16. Quando l'apparecchio viene utilizzato in un bagno, rimuovere la spina dalla presa di corrente dopo l'uso, poiché la vicinanza dell'acqua è un pericolo anche quando l'apparecchio è spento.

17. Non lasciare che il dispositivo si bagni. Nel caso in cui il dispositivo cada in acqua, rimuovere immediatamente la spina dalla presa a muro. Non mettere le mani in acqua quando la macchina è collegata alla rete. Deve essere controllato da un elettricista qualificato prima di riutilizzarlo.

18. Non tenere il dispositivo con le mani bagnate.

19. Spegnerlo sempre il dispositivo dopo ogni utilizzo. Si prega di spegnere l'alimentazione prima di scollegare.

20. Non accendere mai il dispositivo senza acqua nel serbatoio dell'acqua.

21. Utilizzare solo acqua pulita e fresca.

22. Non versare acqua nel serbatoio oltre il livello massimo.

23. Non immergere la base dell'umidificatore. Se l'acqua si rovescia sul dispositivo, scollegarlo immediatamente e lasciarlo asciugare.

24. Non aggiungere prodotti chimici alla vaschetta dell'acqua, al serbatoio dell'acqua o all'uscita del vapore. Non aggiungere all'acqua sali, pastiglie decalcificanti, polveri o detersivi.

25. L'ingresso della nebbia e il coperchio del serbatoio dell'acqua devono essere sempre ben chiusi.

26. Assicurarsi che l'uscita del vapore dell'umidificatore non sia diretta verso pareti, mobili, prese elettriche, dispositivi elettrici ed elettronici o bambini. Un'umidità troppo elevata in una stanza può portare all'accumulo di umidità, causando la crescita di batteri e funghi e danni a pareti, mobili e carte da parati.

27. Non bloccare la ventilazione del dispositivo. Mantenere una distanza di almeno 20 cm dal dispositivo. Non ostruire l'uscita dell'acqua nebulizzata dell'umidificatore.

28. Non utilizzare il dispositivo se esiste il rischio di condensa. L'umidità può formarsi all'interno e all'esterno del dispositivo quando:

- il dispositivo viene spostato da un luogo freddo a uno caldo,

- l'impianto di riscaldamento è stato appena acceso,

- il dispositivo viene utilizzato in una stanza con elevata umidità,

- il dispositivo è raffreddato dal sistema di raffreddamento dell'aria condizionata.

Quando si forma della condensa nel dispositivo, potrebbe non funzionare correttamente o potrebbe danneggiarsi in casi estremi. In questo caso, non utilizzare il dispositivo e lasciarlo asciugare per alcune ore.

29. Non inclinare, capovolgere o tentare di rabboccare o versare acqua dalla macchina durante il funzionamento.

30. Non rimuovere il serbatoio dalla base del dispositivo durante il funzionamento dell'umidificatore.

31. Il serbatoio dell'acqua pieno è pesante. Quando lo trasporti, tienilo anche sotto.

32. Non utilizzare un umidificatore se si riscontrano perdite d'acqua da sotto il dispositivo.

33. Non lasciare acqua nell'umidificatore quando non viene utilizzato.

34. Seguire le istruzioni di pulizia in questo manuale.

35. Non lasciare mai che sedimentazione, umidità o acqua rimangano nel serbatoio di base dell'umidificatore (questo potrebbe causare contaminazione o persino danni

all'atomizzatore a ultrasuoni).

36. Durante il funzionamento prolungato del dispositivo, la nebbia d'acqua emessa dall'umidificatore può cadere sul pavimento e causare umidità.

37. Non sollevare il serbatoio dell'acqua dall'uscita dell'acqua nebulizzata.

38. È vietato inserire trucioli metallici, fili, aghi e altri oggetti estranei nel prodotto o nelle fessure dell'alloggiamento, altrimenti potrebbero verificarsi scosse elettriche o malfunzionamenti.

39. Tenere presente che alti livelli di umidità possono favorire la crescita di organismi biologici e funghi nell'ambiente.

40. Troppa umidità nella stanza può portare all'accumulo di umidità causando danni a pareti, mobili, carta da parati e altri apparecchi elettrici come la TV. Non dirigere l'uscita della nebbia vicino a tali oggetti.

41. Non permettere che l'area intorno all'umidificatore diventi umida o bagnata. Se si verifica umidità, ridurre la produzione di nebbia. Se non è possibile ridurre la capacità della nebbia, utilizzare l'umidificatore in modo intermittente. Non lasciare che materiali assorbenti, come moquette, tende, tendaggi o tovaglie, si inumidiscano.

42. Non coprire il dispositivo. Non posizionare alcun oggetto sulla parte superiore del dispositivo.

43. Non utilizzare il dispositivo in associazione con un programmatore, timer o altro dispositivo che accenda automaticamente l'umidificatore.

**Avvertenza:** i microrganismi eventualmente presenti nel serbatoio dell'acqua verranno espulsi nell'aria, causando gravissimi rischi per la salute. Per evitare ciò, cambia regolarmente l'acqua e pulisci il serbatoio ogni tre giorni.

**Avvertenza:** il serbatoio dell'acqua deve essere svuotato e riempito ogni tre giorni. Prima di ricaricare, pulirlo con acqua dolce o utilizzando i detergenti disponibili se richiesto dal produttore. Rimuovere incrostazioni, depositi o una pellicola che si è formata sulle pareti del serbatoio. Dopo la pulizia, asciugare tutte le superfici accessibili.

L'umidificatore ad ultrasuoni utilizza il principio di oscillazione ad ultrasuoni ad alta frequenza, l'acqua viene atomizzata in particelle ultra fini da 1-5 micron, quindi la nebbia d'acqua viene diffusa nell'aria attraverso il dispositivo pneumatico, in modo da raggiungere lo scopo di umidificare uniformemente l'aria, rinfrescando l'aria, idratando la pelle e migliorando la salute.

Prima del primo utilizzo

Quando il dispositivo è acceso, non toccare un trasduttore di nebulizzazione (12) con la mano per evitare lesioni.

Descrizione del dispositivo: Umidificatore ad ultrasuoni

- |  |                                       |
|--|---------------------------------------|
| 1. Coperchio riempimento acqua   | 2. Coperchio serbatoio acqua          |
| 3. Ugello spray  | 4. Contenitore per aromaterapia       |
| 5. Condotto aria nebulizzata   | 6. Serbatoio acqua                    |
| 7A. Pulsante di accensione/regolazione nebbia/modalità Sleep/spegnimento | 7C. Pulsante umidità continua         |
| 7B. Pulsante timer   | 9. Ingresso aria                      |
| 8. Display   | 11. Uscita aria                       |
| 10. Uscita nebbia  | 13. Spugna di cotone per aromaterapia |
| 12. Trasduttore di nebulizzazione  |                                       |
| 14. Spazzola per la pulizia  |                                       |

CARICAMENTO ACQUA – vedi figura 7

1. Posizionare il dispositivo su una superficie piana e stabile. Ricordarsi di riempire d'acqua il dispositivo scollegato.
2. Aprire il coperchio di riempimento dell'acqua (2) insieme al coperchio di riempimento dell'acqua (1).
3. Ricordare che il condotto dell'aria nebulizzata (5) deve essere installato all'interno del serbatoio dell'acqua prima di aggiungere l'acqua.
4. Quando si aggiunge l'acqua, non iniettare acqua nell'ugello di nebulizzazione (3) e non iniettare acqua nell'uscita del nebulizzatore (10) così come non iniettare acqua nell'uscita dell'aria (9).

5. Prestare attenzione a non superare il livello MAX (massimo) dell'acqua indicato sull'uscita dell'aria (9) - vedere la Figura 2. Utilizzare acqua di rubinetto pulita.
6. Chiudere il coperchio del serbatoio dell'acqua (2) insieme al coperchio di riempimento dell'acqua (1). Collega il dispositivo.
7. Quando non si prevede di utilizzare il dispositivo, l'acqua deve essere versata nel serbatoio dell'acqua (6).
8. Per ridurre la precipitazione del calcare dall'acqua - polvere bianca, è possibile acquistare facoltativamente un filtro dell'acqua per questo dispositivo, numero AD7972.1 dal venditore di questo dispositivo.

## FUNZIONE AROMATERAPIA

1. Rimuovere il coperchio del serbatoio dell'acqua (1) insieme al coperchio di riempimento dell'acqua (1).
2. Versare 2-3 gocce di olio essenziale su una spugna di cotone per aromaterapia (13) e posizionarla all'interno di un contenitore per aromaterapia (4). Osservare la Figura 4. Posizionare un contenitore per aromaterapia (4) sopra l'uscita del nebulizzatore (10). Il buon odore sarà distribuito insieme alla nebbia.

ATTENZIONE: SOLO oli essenziali solubili in acqua sono adatti per questo dispositivo.

3. NON gocciolare direttamente gli oli essenziali nell'acqua.

## OPERAZIONE

1. Dopo aver collegato il dispositivo emette un segnale acustico e il dispositivo entra nello stato di standby.
2. Per accendere il dispositivo premere una volta il pulsante di accensione (7A). Il volume di nebbia predefinito è impostato su un livello basso, sul display (8) verranno visualizzate due linee (Figura 9B). Premere ripetutamente questo pulsante (7A) per modificare le modalità a livello di emissione di nebbia medio (Figura 9C), volume di nebbia alto (Figura 9D), modalità di sospensione (Figura 9D) o spegnere il dispositivo (Figura 9E) a turno.

## PROTEZIONE DALLA CARENZA D'ACQUA

Quando il dispositivo è in funzione, la molla incorporata rileva la mancanza di acqua. Successivamente il dispositivo smette di funzionare, il display (8) visualizzerà "EE" e lampeggerà per 5 secondi e si sentiranno 3 segnali acustici. Successivamente, il dispositivo entra nello stato di standby. Dopo aver aggiunto l'acqua, premere il pulsante di accensione (7A), quindi il dispositivo può funzionare normalmente.

## IMPOSTAZIONE MODALITÀ SLEEP

Il dispositivo funzionerà a un'emissione di nebbia media per 5 minuti e metterà in pausa l'emissione di nebbia per 5 minuti, quindi funzionerà per 5 minuti e si fermerà per 10 minuti; successivamente funzionerà per 5 minuti e si fermerà per 15 minuti, ulteriori operazioni continueranno in tale ciclo. In modalità di sospensione il display (8) è oscurato – vedere la Figura 9E.

## IMPOSTAZIONE DEL TIMER

L'impostazione predefinita è zero ore. Durante il funzionamento, premere ripetutamente il pulsante del timer (7B) per scegliere uno dei periodi di funzionamento del timer: 1 ora o 2 ore o 4 ore o 6 ore oppure premere nuovamente per disattivare la funzione timer – vedere la Figura 4. La funzione timer interrompe il funzionamento del dispositivo trascorso il periodo prefissato.

## IMPOSTAZIONE DEL LIVELLO DI UMIDITÀ

Durante il funzionamento del dispositivo, premere il pulsante di umidità continua (7C), è possibile impostare il valore di umidità nell'intervallo 40-90% dell'umidità relativa, ogni pressione ripetuta aumenterà del 5%. Quando il livello di umidità è impostato, il dispositivo umidifica costantemente al livello di umidificazione desiderato. Dopo aver raggiunto il livello di umidificazione desiderato, il dispositivo entra nello stato di standby e smette di spruzzare la nebbia finché il livello di umidità ambientale non si riduce al 5% al di sotto del livello di umidificazione desiderato. In tal caso, il dispositivo ricomincia a spruzzare automaticamente la nebbia. Guarda la figura 5.

## PULIZIA E MANUTENZIONE

1. Collegare il dispositivo prima della pulizia. Se è rimasta dell'acqua nel serbatoio dell'acqua (6), deve essere versata inclinando il serbatoio dell'acqua (6).

ATTENZIONE: una questione importante è la corretta posizione del serbatoio dell'acqua (6) mentre l'acqua viene versata. La posizione corretta si ottiene quando l'uscita dell'aria (9) rimane asciutta e il flusso d'acqua viene condotto dal bordo opposto del serbatoio dell'acqua (6).

2. Pulire il serbatoio dell'acqua ogni 3 giorni.

3. Dopo che il dispositivo è stato utilizzato per un periodo di tempo, è facile che appaia una scala e si formi un fenomeno di "polvere bianca", è attaccato alla superficie di un trasduttore di nebulizzazione (12), influenzando l'efficienza di umidificazione. È necessario pulire regolarmente i componenti principali. Per pulire i componenti principali, vedere la Figura 6.

\* Aprire il coperchio serbatoio acqua (2), smontare il condotto aria nebulizzata (5) ruotandolo in senso antiorario - vedere Figura 6A.

\* Pulire l'interno del serbatoio dell'acqua (6) e il condotto dell'aria nebulizzata (5) con un panno morbido – vedere la Figura 6B.

\* Aggiungere la giusta quantità di acqua, pulire il dispositivo con la spazzola per la pulizia (14) - vedere la Figura 6C.

\* Pulire un trasduttore di nebulizzazione (12) con un batuffolo di cotone imbevuto di soluzione di acido citrico.

4. Non utilizzare utensili duri e affilati per toccare l'atomizzatore.

5. Non usare detersivo per pulire, l'acqua del clan è migliore. Quindi asciugare gli elementi con un panno morbido, installare il

condotto dell'aria nebulizzata (5) ruotandolo in senso orario.

6. La superficie esterna dell'alloggiamento del dispositivo può essere pulita con un panno umido e poi asciugata con un panno pulito. Non utilizzare solventi chimici, benzina, cherosene o polvere lucidante per pulire la superficie.

7. Non lasciare che l'acqua penetri all'interno dell'alloggiamento durante la pulizia per evitare il malfunzionamento dei componenti interni.

8. Pulire il dispositivo prima di ogni utilizzo successivo.

## MAGAZZINAGGIO

1. Per la conservazione stagionale il dispositivo deve essere vuoto, pulito e asciutto.

2. Stoccaggio in borsa per evitare la polvere, in luogo asciutto.

## RISOLUZIONE DEI PROBLEMI

Se il dispositivo non funziona correttamente, verificare i seguenti possibili motivi prima di inviarlo al servizio post vendita per risolvere i problemi da soli.

PROBLEMA I.: il display (8) non è acceso.

POSSIBILE RAGIONE DEL PROBLEMA I: l'alimentazione non è collegata correttamente.

SOLUZIONE DEL PROBLEMA I: collegare il cavo di alimentazione e accendere l'alimentazione.

PROBLEMA II.: c'è acqua nel serbatoio, la spia rossa lampeggia quando il dispositivo è acceso

POSSIBILE RAGIONE DEL PROBLEMA II: c'è troppa scala su un trasduttore di nebulizzazione (12)

SOLUZIONE DEL PROBLEMA II: pulire il calcare accumulatosi sul trasduttore di nebulizzazione (12)

PROBLEMA III.: la quantità di atomizzazione è troppo piccola

POSSIBILE CAUSA DEL PROBLEMA III:

III bis. C'è troppa scala bianca sul trasduttore di nebulizzazione (12)

IIIb . L'acqua è troppo sporca o conservata troppo a lungo

IIIc. Il volume della nebbia è stato impostato a un livello basso

SOLUZIONE DEL PROBLEMA III:

III bis. pulire il calcare bianco su un trasduttore nebulizzatore (12)

IIIb . Passare all'acqua pulita

IIIc. Imposta un livello di nebbia medio o alto

PROBLEMA IV.: Rumore anomalo

POSSIBILE RAGIONE DEL PROBLEMA IV:

IVa . C'è troppa poca acqua nel serbatoio dell'acqua

IVb . Si scontra con la superficie del tavolo per produrre nervosismo

SOLUZIONE DEL PROBLEMA IV:

IVa . aggiungere acqua

IVb . Posizionare il dispositivo su una superficie solida e liscia

PROBLEMA V: Odore particolare di nebbia

POSSIBILE RAGIONE DEL PROBLEMA II: L'acqua nel serbatoio dell'acqua non è pulita o è stata conservata per lungo tempo

SOLUZIONE DEL PROBLEMA II: pulire il serbatoio dell'acqua, asciugarlo, quindi aggiungere acqua pulita

## DATA TECNICA:

Potenza: 23W

Alimentazione: 220-240V~50-60Hz

Capacità serbatoio acqua : 4 litri



Prendersi cura dell'ambiente

Gli imballi di cartone devono essere smaltiti nel contenitore per la carta. I sacchetti di polietilene (PE) vanno gettati nel contenitore per la plastica. L'apparecchio usato deve essere rottamato presso un centro di raccolta autorizzato, poiché contiene elementi pericolosi che potrebbero costituire una minaccia per l'ambiente. I dispositivi elettrici devono essere resi al fine di evitare il loro riutilizzo. Se il dispositivo contiene una batteria, deve essere rimossa e smaltita separatamente in un punto di raccolta.

Non gettare l'apparecchio nei contenitori dei rifiuti urbani!

(SR) СРПСКИ

## ОПШТИ УСЛОВИ БЕЗБЕДНОСТИ

ВАЖНА УПУТСТВА ЗА БЕЗБЕДНОСТ ПРОЧИТАЈТЕ ПАЖЉИВО И УШТЕДИТЕ ЗА БУДУЋНОСТ

Гарантни услови се разликују ако се уређај користи у комерцијалне сврхе.

1. Пре употребе производа пажљиво прочитајте и увек се придржавајте следећих упутстава. Произвођач није одговоран за штету насталу употребом уређаја супротно намени или неправилним радом.

2. Уређај је само за кућну употребу. Не користите у друге сврхе које нису за његову

намену.

3. Уређај треба прикључити само на утичницу 220-240 В ~ 50/60 Хз.

4. Будите посебно опрезни када користите уређај када су деца у близини. Не дозволите деци да се играју уређајем, не дозволите деци или људима који нису упознати са уређајем да га користе.

5. **УПОЗОРЕЊЕ:** Ову опрему могу користити деца старија од 8 година и људи ограничених физичких, сензорних или менталних способности, или људи који немају искуства или знања о опреми, ако се то ради под надзором одговорне особе ради њихове сигурности или су им додељене информације о безбедној употреби уређаја и свесни су опасности од његове употребе. Деца се не би смела играти са опремом. Чишћење и одржавање уређаја не би требало да обављају деца, осим ако су старија од 8 година и ако се ове активности обављају под надзором.

6. Увек извадите утикач из утичнице након употребе држећи утичницу руком. НЕ повлачите кабл за напајање.

7. Не потапајте кабл, утикач, базу и читав уређај у воду или било коју другу течност. Не излажите уређај атмосферским условима (киша, сунце итд.) Или га користите у условима високе влажности (купатила, влажне мобилне кућице).

8. Повремено проверавајте стање кабла за напајање. Ако је кабл за напајање оштећен, треба га заменити специјалиста у сервисном центру како би се избегла опасност.

9. Не користите уређај са оштећеним каблом за напајање или ако је пао или оштећен на било који други начин или ако не ради исправно. Не поправљајте уређај сами, јер постоји ризик од струјног удара. Однесите оштећени уређај у одговарајући сервисни центар ради провере или поправке. Све поправке могу изводити само овлашћена сервисна места. Неправилно изведене поправке могу да изазову озбиљну опасност за корисника.

10. Поставите уређај на хладну, стабилну површину, даље од врућих кухињских уређаја, као што су електрични шпорет, плински горионик итд.

11. Не користите уређај у близини запаљивих материјала.

12. Кабл за напајање можда неће висити преко ивице стола или додиривати вруће површине.

13. Никада не остављајте производ прикључен на извор напајања без надзора. Чак и када је употреба прекинута на кратко, искључите је са мреже и искључите напајање.

14. Да би се обезбедила додатна заштита, пожељно је у електрични круг инсталирати уређај за преосталу струју (РЦД) са номиналном преосталом струјом која не прелази 30 мА. Питајте електричара за ово.

15. Не користите уређај у близини воде, нпр. ... под тушем, кадом или изнад умиваоника са водом.



16. Када се апарат користи у купатилу, извадите утикач из утичнице након употребе, јер је близина воде опасност чак и када је апарат искључен.

17. Не дозволите да се уређај смочи. У случају да уређај падне у воду, одмах извадите утикач из зидне утичнице. Не стављајте руке у воду када је машина повезана на мрежу. Пре поновне употребе мора га проверити квалификовани електричар.

18. Не држите уређај мокрим рукама.

19. Увек искључите уређај након сваке употребе. Пре искључивања искључите напајање.

20. Никада не палите уређај без воде у резервоару за воду.

21. Користите само чисту, хладну воду.

22. Не сипајте воду у резервоар изнад максималног нивоа.

23. Не потапајте базу овлаживача. Ако се вода пролије по уређају, одмах га искључите и оставите да се осуши.

24. Не додавајте никакве хемикалије у слив воде, резервоар за воду или излаз за маглу. Не додавајте води соли, таблете за уклањање каменца, прашкове или

средства за чишћење.

25. Улаз за маглу и поклопац резервоара за воду увек морају бити добро затворени.

26. Уверите се да излаз магле овлаживача није усмерен директно на зидове, намештај, електричне утичнице, електричне и електронске уређаје или децу.

Превисока влажност у соби може довести до накупљања влаге, узрокујући раст бактерија и гљивица и оштећења зидова, намештаја и тапета.

27. Не блокирајте вентилацију уређаја. Држите се на удаљености од уређаја најмање 20 цм. Не блокирајте излаз водене маглице овлаживача.

28. Не користите уређај ако постоји ризик од кондензације. Влага се може створити на унутрашњој и спољној страни уређаја када:

- уређај се премешта са хладног на топло место,

- систем грејања је управо укључен,

- уређај се користи у соби са високом влажношћу,

- уређај се хлади системом за хлађење клима уређаја.

Када се у уређају догоди кондензација влаге, он можда неће радити исправно или ће се оштетити у екстремним случајевима. У том случају немојте користити уређај и оставите да се осуши неколико сати.

29. Немојте се нагињати, превртати или покушавати допуњавати или сипати воду из машине током рада.

30. Не уклањајте резервоар са основе уређаја током рада овлаживача.

31. Напуњени резервоар за воду је тежак. Кад га носите, држите га и испод.

32. Не користите овлаживач ваздуха ако установите да вода цури испод уређаја.

33. Не остављајте воду у овлаживачу кад се не користи.

34. Следите упутства за чишћење у овом упутству.

35. Никада не дозволите да седиментација, влага или вода остану у основном резервоару овлаживача (то може проузроковати контаминацију или чак оштећење ултразвучног распршивача).

36. Током дужег рада уређаја, водена магла коју емитује овлаживач ваздуха може пасти на под и проузроковати влагу.

37. Не подижите резервоар за воду за излаз из водене магле.

38. Забрањено је уметање металних иверја, жице, игала и других страних предмета у производ или у празнине кућишта, јер у противном може доћи до струјног удара или квара.

39. Имајте на уму да високи нивои влажности могу подстаћи раст биолошких организама и гљивица у животној средини.

40. Превише влаге у соби може довести до накупљања влаге узрокујући оштећења зидова, намештаја, тапета и других електричних уређаја попут ТВ-а. Не усмеравајте отвор за маглу близу таквих предмета.

41. Не дозволите да се подручје око овлаживача влажи или влажи. Ако се јави влага, смањите стварање магле. Ако капацитет магле не можете смањити, повремено користите овлаживач. Не дозволите да се упијајући материјали, као што су тепих, завесе, завесе или столњаци, влаже.

42. Не покривајте уређај. Не стављајте никакве предмете на врх уређаја.

43. Не користите уређај заједно са програматором, тајмером или другим уређајем који аутоматски укључује овлаживач.

Упозорење: Микроорганизми који могу бити присутни у резервоару за воду ће бити издувани у ваздух, узрокујући веома озбиљну опасност по здравље. Да бисте то спречили, редовно мењајте воду и чистите резервоар свака три дана.

Упозорење: Резервоар за воду треба празнити и допунити свака три дана. Пре поновног пуњења, очистите га свежеом водом или користећи доступне детерџенте ако то захтева произвођач. Уклоните каменац, наслаге или филм који се створио на



## зидовима резервоара. Након чишћења, осушите све доступне површине.

Ултразвучни овлаживач користи принцип ултразвучног високофреквентног осциловања, вода се атомизује у ултра фине честице од 1-5 микрона, а затим се водена магла дифундује у ваздух кроз пнеуматски уређај, како би се постигла сврха равномерног овлаживања ваздуха, освежавајући ваздух, влаже кожу и побољшава здравље.

Пре прве употребе

Када је уређај укључен, немојте додиривати распршивач (12) руком да бисте избегли повреде.

Опис уређаја: Ултразвучни овлаживач

- |  |                                    |
|--|------------------------------------|
| 1.Поклопац за пуњење воде  | 2.Поклопац резервоара за воду      |
| 3. Млазница за прскање   | 4. Контејнер за ароматерапију      |
| 5. Канал за ваздух за маглу  | 6. Резервоар за воду               |
| 7А. Укључивање / подешавање магле / режим спавања / дугме за искључивање | 7Б. Дугме за тајмера               |
| 7Б. Дугме тајмера  | 7Ц. Дугме за континуирану влажност |
| 8. Дисплеј   | 9. Улаз за ваздух                  |
| 10. Излаз магле  | 11. Излаз ваздуха                  |
| 12. Атомизирајући претварач  | 13. Ароматерапијски памучни сунђер |
| 14. Четка за чишћење   |                                    |

ПУЊЕЊЕ ВОДОМ – погледајте слику 7

1. Поставите уређај на стабилну, равну површину. Не заборавите да напуните воду до искљученог уређаја.
  2. Отворите поклопац за пуњење воде (2) заједно са поклопцем за пуњење воде (1).
  3. Запамтите да се ваздушни канал за маглу (5) мора поставити у резервоар за воду пре додавања воде.
  4. Приликом додавања воде немојте убризгавати воду у млазницу за прскање (3) и не убризгавати воду у излаз за маглу (10), као ни у отвор за ваздух (9).
  5. Обратите пажњу да не прекорачите МАКС (максимални) ниво воде означен на излазу за ваздух (9) - лок на слици 2.
- Користите чисту воду из славине.
6. Затворите поклопац резервоара за воду (2) заједно са поклопцем за пуњење воде (1). Укључите уређај.
  7. Када се уређај не користи, воду треба излити из резервоара за воду (6).
  8. Да бисте смањили таложње каменца из воде - белог праха, по жељи можете купити филтер за воду за овај уређај, број АД7972.1 од продавца овог уређаја.

ФУНКЦИЈА АРОМАТЕРАПИЈЕ

1. Скините поклопац резервоара за воду (1) заједно са поклопцем за пуњење воде (1).
2. Сипајте 2-3 капи есенцијалног уља на ароматерапијски памучни сунђер (13) и ставите га у посуду за ароматерапију (4). Погледајте слику 4. Поставите посуду за ароматерапију (4) на врх излаза за маглу (10). Леп мирис ће се дистрибуирати заједно са маглом.

ПАЖЊА: САМО етерична уља растворљива у води су погодна за овај уређај.

3. НЕ капајте етерична уља директно у воду.

ОПЕРАЦИЈА

1. Након укључивања уређај даје звучни сигнал и уређај улази у стање приправности.
2. Да бисте укључили уређај, једном притисните дугме за укључивање (7А). Подразумевана јачина магле је подешена на низак ниво, видећете на дисплеју (8) две линије (слика 9Б). Притискајте ово дугме (7А) више пута да бисте променили режиме на средњи ниво излазне магле (слика 9Ц), високу јачину магле (слика 9Д), режим мировања (слика 9Д) или искључили уређај (слика 9Е).

ЗАШТИТА ОД НЕСТАНКА ВОДЕ

Када уређај ради, уграђена опруга детектује недостатак воде. Тада уређај престаје да ради, на дисплеју (8) ће се приказати „ЕЕ“ и треперити 5 секунди и чућете 3 звучна сигнала. Након тога, уређај прелази у стање приправности. Након додавања воде, притисните дугме за укључивање (7А), тада уређај може нормално да ради.

ПОДЕШАВАЊЕ РЕЖИМА СЛЕЕП

Уређај ће радити на средњем излазу магле 5 минута и паузирати ће излаз магле на 5 минута, затим ће радити 5 минута и паузирати 10 минута; следеће ће радити 5 минута и паузирати 15 минута, даљи рад ће се наставити у том циклусу. У режиму мировања екран (8) је затамњен – погледајте слику 9Е.

ПОДЕШАВАЊЕ ТАЈМЕРА

Подразумевана поставка је нула сати. Током рада притискајте дугме тајмера (7Б) више пута да одаберете један од периода

рада тајмера: 1 сат или 2 сата или 4 сата или 6 сати или притисните поново да искључите функцију тајмера – погледајте слику 4. Функција тајмера зауставља рад уређаја након истека одређеног периода.

## ПОДЕШАВАЊЕ НИВОА ВЛАЖНОСТИ

Током рада уређаја притисните дугме за континуирану влажност (7Ц), можете подесити вредност влажности у опсегу 40-90% релативне влажности, сваки поновљени притисак ће се повећати за 5% вредности. Када је ниво влажности подешен, уређај константно овлажује до жељеног нивоа влажности. Након достизања жељеног нивоа влажности, уређај улази у стање приправности и престаје да распршује маглу све док се ниво влажности околине не смањи на 5% испод жељеног нивоа влажности. У том случају, уређај поново аутоматски почиње да распршује маглу. Погледајте слику 5.

## ЧИШЋЕЊЕ И ОДРЖАВАЊЕ

1. Искључите уређај пре чишћења. Ако је у резервоару за воду (6) остало мало воде, треба је излити нагињањем резервоара за воду (6).

ПАЖЊА: Важна ствар је исправан положај резервоара за воду (6) док се вода излива. Исправан положај се постиже када излаз ваздуха (9) остане сув и млаз воде води супротном ивицом резервоара за воду (6).

2. Очистите резервоар за воду свака 3 дана.

3. Након што се уређај користи неко време, лако се појављује каменац и формира се феномен „белог праха“, причвршћује се на површину распршивача (12), што утиче на ефикасност овлаживања. Неопходно је редовно чистити главне компоненте. За чишћење главних компоненти погледајте слику 6.

\* Отворите поклопац резервоара за воду (2), раставите ваздушни канал за маглу (5) ротирајући супротно од казаљке на сату - погледајте слику 6А.

\* Обришите унутрашњост резервоара за воду (6) и ваздушни канал за маглу (5) меком крпом – погледајте слику 6Б.

\* Додајте одговарајућу количину воде, очистите уређај четком за чишћење (14) – погледајте слику 6Ц.

\* Обришите распршивач (12) памучним штапићем намоченим са раствором лимунске киселине.

4. Немојте користити оштар тврди прибор за додиривање атомизера.

5. Не користите детерџент за чишћење, боља је вода клана. Затим осушите елементе меком крпом, поставите канал за маглу (5) окретањем у смеру казаљке на сату.

6. Спољна површина кућишта уређаја може се очистити влажном крпом, а затим обрисати чистом крпом. Немојте користити хемијске раствараче, бензин, керозин или прашак за полирање за брисање површине.

7. Не дозволите да вода уђе у кућиште приликом чишћења да бисте избегли квар унутрашњих компоненти.

8. Очистите уређај пре сваке следеће употребе.

## СКЛАДИШТЕ

1. За сезонско складиштење уређај треба да буде празан, очишћен и сув.

2. Чување у врећици за заштиту од прашине, на сувом месту.

## РЕШАВАЊЕ ПРОБЛЕМА

Ако уређај не ради исправно, проверите следеће могуће разлоге пре него што га пошаљете у постпродајни сервис како бисте сами решили проблеме.

ПРОБЛЕМ И.: дисплеј (8) није укључен.

МОГУЋИ РАЗЛОГ ПРОБЛЕМА И: напајање није правилно прикључено.

РЕШЕЊЕ ПРОБЛЕМА И: Укључите кабл за напајање и укључите напајање.

ПРОБЛЕМ ИИ.: има воде у резервоару, црвена лампица трепери када се уређај укључи

МОГУЋИ РАЗЛОГ ПРОБЛЕМА ИИ: има превише каменца на распршивачу (12)

РЕШЕЊЕ ПРОБЛЕМА ИИ: очистите каменац који се накупља на распршивачу (12)

ПРОБЛЕМ ИИИ.: количина атомизације је премала

МОГУЋИ РАЗЛОГ ПРОБЛЕМА ИИИ:

ИИИа. Превише је беле скале на распршивачу (12)

ИИИб . Вода је превише прљава или је предуго чувана

ИИИц. Јачина магле је подешена на низак ниво

РЕШЕЊЕ ЗАДАТАКА ИИИ:

ИИИа. очистите бели каменац на распршивачу (12)

ИИИб . Пребаците на чисту воду

ИИИц. Подесите средњи или високи ниво магле

ПРОБЛЕМ ИВ.: Ненормална бука

МОГУЋИ РАЗЛОГ ПРОБЛЕМА ИВ:

ИВа . У резервоару за воду има премало воде

ИВб . Она се судара са површином стола и производи трему

РЕШЕЊЕ ЗАДАТАКА ИВ:

ИВа . додати воду

ИВб . Поставите уређај на чврсту, глатку површину

ПРОБЛЕМ В: Необичан мирис магле  
МОГУЋИ РАЗЛОГ ПРОБЛЕМА ИИ: Вода у резервоару за воду није чиста или је дуго чувана  
РЕШЕЊЕ ПРОБЛЕМА ИИ: Очистите резервоар за воду, осушите га, затим додајте чисту воду

ТЕХНИЧКИ ДАТУМ:

Снага: 23В

Напајање: 220-240В ~50-60Хз

Капацитет резервоара за воду : 4 литра



За заштиту животне средине: молимо вас да одвојите картонске кутије и пластичне кесе и одложите их у одговарајуће канте за смеће. Коришћени уређај треба да буде испоручен на наменске сакупљане тачке због оштрих компоненти, што може утицати на животну средину. Немојте одлагати овај уређај у заједничку корпу за отпатке.

(DK) DANSKI

## ALMINDELIGE SIKKERHEDSBETINGELSER

### VIGTIGE SIKKERHEDSINSTRUKTIONER LÆS NU OG GEM FOR FREMTIDEN

Garantibetingelserne er forskellige, hvis enheden bruges til kommercielle formål.

1. Før du bruger produktet, skal du læse omhyggeligt og altid overholde følgende instruktioner. Producenten er ikke ansvarlig for skader forårsaget af brug af enheden i strid med dets tilsigtede formål eller ukorrekt betjening.

2. enheden er kun til hjemmebrug. Brug ikke til andre formål, der ikke er til det tilsigtede formål.

3. Enheden skal kun tilsluttes en 220-240 V ~ 50/60 Hz stikkontakt.

4. Vær særlig forsigtig, når du bruger enheden, når børn er i nærheden. Lad ikke børn lege med enheden, lad ikke børn eller personer, der ikke er bekendt med enheden, bruge det.

5. ADVARSEL: Dette udstyr kan bruges af børn over 8 år og personer med begrænset fysisk, sensorisk eller mental evne eller personer, der ikke har erfaring eller kendskab til udstyret, hvis dette gøres under opsyn af en ansvarlig person for deres sikkerhed eller har fået dem oplysninger om sikker brug af enheden og er opmærksomme på farerne ved at bruge den. Børn bør ikke lege med udstyret. Rengøring og vedligeholdelse af enheden bør ikke udføres af børn, medmindre de er over 8 år, og disse aktiviteter udføres under tilsyn.

6. Tag altid stikket ud af stikkontakten efter brug ved at holde stikket med hånden. Træk IKKE i netledningen.

7. Nedsenk ikke kablet, stikket, basen og hele enheden i vand eller anden væske. Udsæt ikke enheden for atmosfæriske forhold (regn, sol osv.) Eller brug den under forhold med høj luftfugtighed (badeværelser, fugtige mobilhomes).

8. Kontroller jævnligt strømkabelens tilstand. Hvis netledningen er beskadiget, skal den udskiftes af en specialist i reparationscenter for at undgå fare.


9. Brug ikke enheden med et beskadiget strømkabel, eller hvis det er faldet eller beskadiget på anden måde, eller hvis det ikke fungerer korrekt. Reparer ikke enheden selv, da der er risiko for elektrisk stød. Tag den beskadigede enhed til et passende servicecenter for kontrol eller reparation. Alle reparationer må kun udføres af autoriserede servicepunkter. Forkert udført reparation kan medføre alvorlig fare for brugeren.

10. Anbring enheden på en kølig, stabil overflade væk fra varme køkkenapparater som en elektrisk komfur, gasbrænder osv.

11. Brug ikke enheden i nærheden af brændbare materialer.

12. Strømkablet hænger muligvis ikke over kanten af et bord eller rører ved varme overflader.

13. Efterlad aldrig produktet tilsluttet strømkilden uden opsyn. Selv når brugen afbrydes i kort tid, skal du slukke for den fra netværket, tage strømmen ud.

 14. For at yde yderligere beskyttelse tilrådes det at installere en jordstrømsenhed (RCD) i det elektriske kredsløb med en nominal reststrøm, der ikke overstiger 30 mA. Bed en elektriker om dette.

15. Brug ikke enheden i nærheden af vand, f.eks. ... i brusebadet, badekarret eller over

håndvasken med vand.

16. Når apparatet bruges i et badeværelse, skal du tage stikket ud af stikkontakten efter brug, da nærhed af vand er en fare, selv når apparatet er slukket.

17. Lad ikke enheden blive våd. Hvis enheden falder i vand, skal du straks tage stikket ud af stikkontakten. Læg ikke dine hænder i vand, når maskinen er tilsluttet netværket. Det skal kontrolleres af en kvalificeret elektriker, før det bruges igen.

18. Hold ikke enheden med våde hænder.

19. Sluk altid enheden efter hver brug. Sluk for strømmen, før du tager stikket ud.

20. Tænd aldrig enheden uden vand i vandtanken.

21. Brug kun rent, køligt vand.

22. Hæld ikke vand i tanken over det maksimale niveau.

23. Nedsenk ikke befugterbasen. Hvis der spildes vand på enheden, skal du straks tage stikket ud og lade det tørre.

24. Tilsæt ikke kemikalier til vandbassinet, vandtanken eller tågeudløbet. Tilsæt ikke salte, afkalkningstabletter, pulvere eller rengøringsmidler til vandet. Afkalkningsfilteret, der er inkluderet i sættet, skal kun påføres i vandbassinet.

25. Tågeindgangen og vandtanksdækslet skal altid være tæt lukket.

26. Sørg for, at luftfugterens tågeudgang ikke er rettet direkte mod vægge, møbler, stikkontakter, elektriske og elektroniske enheder eller børn. For høj luftfugtighed i et rum kan føre til fugtophobning, forårsage bakterier og svampe til at vokse og beskadige vægge, møbler og tapeter.

27. Bloker ikke ventilationen af enheden. Hold en afstand på mindst 20 cm fra enheden. Bloker ikke luftfugterens vandtågsudgang.

28. Brug ikke enheden, hvis der er risiko for kondens. Der kan dannes fugt på indersiden og ydersiden af enheden, når:

- enheden flyttes fra et koldt til et varmt sted

- varmesystemet er netop tændt

- enheden bruges i et rum med høj luftfugtighed

- enheden afkøles af klima anlæggets kølesystem.

Når der opstår fugtkondensering i enheden, fungerer den muligvis ikke korrekt eller kan blive beskadiget i ekstreme tilfælde. I dette tilfælde må du ikke bruge enheden og lade den tørre i et par timer.

29. Undgå at vippe, vende eller forsøge at efterfylde eller hælde vand ud af maskinen under drift.

30. Fjern ikke tanken fra bunden af enheden under befugterens drift.

31. Den fyldte vandtank er tung. Når du bærer den, skal du også holde den nedeunder.

32. Brug ikke en luftfugter, hvis der er vandlækager under enheden.

33. Efterlad ikke vand i luftfugteren, når den ikke bruges.

34. Følg rengøringsinstruktionerne i denne vejledning.

35. Lad aldrig bundfældning, fugt eller vand forblive i befugterens basistank (dette kan forårsage forurening eller endda skade på ultralydsforstøveren).

36. Under langvarig drift af enheden kan den vandtåge, der udsendes af luftfugteren, falde ned på gulvet og forårsage fugt.

37. Løft ikke vandtanken ved vandtågsudløbet.

38. Det er forbudt at indsætte metalchips, wire, nåle og andre fremmedlegemer i produktet eller i husets huller, ellers kan det forårsage elektrisk stød eller funktionsfejl.

39. Vær opmærksom på, at høje fugtighedsniveauer kan tilskynde til vækst af biologiske organismer og svampe i miljøet.

40. For meget fugtighed i rummet kan føre til fugtophobning og forårsage skader på vægge, møbler, tapet og andre elektriske apparater som tv. Rét ikke tågeudgangen tæt på sådanne genstande.

41. Tillad ikke, at området omkring luftfugteren bliver fugtigt eller vådt. Hvis der opstår fugt, skal du skrue ned for tågen. Hvis tågeevnen ikke kan skrues ned, skal du bruge luftfugteren med mellemrum. Lad ikke absorberende materialer, såsom tæpper, gardiner,

forhæng eller duge, blive fugtige.

42. Dæk ikke enheden. Placer ikke genstande oven på enheden.

43. Brug ikke enheden sammen med en programmerer, timer eller anden enhed, der automatisk tænder luftfugteren.

**Advarsel:** Mikroorganismer, der kan være til stede i vandtanken, vil blive blæst i luften, hvilket forårsager en meget alvorlig sundhedsfare. For at forhindre dette, skift vandet regelmæssigt og rengør tanken hver tredje dag.

**Advarsel:** Vandbeholderen skal tømmes og genopfyldes hver tredje dag. Før påfyldning, rengør den med frisk vand eller brug tilgængelige rengøringsmidler, hvis det kræves af producenten. Fjern kalk, aflejringer eller en film, der er dannet på tankens vægge. Efter rengøring aftørres alle tilgængelige overflader.

Ultralydsbefugter bruger ultralyds højfrekvent oscillationsprincip, vandet forstøves til 1-5 mikron ultrafine partikler, derefter spredes vandtågen ud i luften gennem den pneumatiske enhed for at opnå formålet med ensartet befugtning af luften, forfriskende luft, fugter huden og forbedrer sundheden.

Før første brug

Når enheden er tændt, må du ikke røre en forstøvningstransducer (12) med hånden for at undgå at komme til skade.

Enhedsbeskrivelse: Ultralydsbefugter

- |  |                                 |
|--|---------------------------------|
| 1. Vandpåfyldningslåg                                | 2. Vandbeholderdæksel           |
| 3. Spraydyse   | 4. Aromaterapibeholder          |
| 5. Tågeluftkanal                                     | 6. Vandtank                     |
| 7A. Tænd / Tågejustering / Dvaletilstand / Sluk-knap | 7C. Kontinuerlig fugtighedsknap |
| 7B. Timerknap  | 9. Luftindtag                   |
| 8. Display   | 11. Luftudtag                   |
| 10. Tågeudtag  | 13. Aromaterapi bomuldssvamp    |
| 12. Forstøvningstransducer                           |                                 |
| 14. Rengøringsbørste                                 |                                 |

VANDFYLDNING – se figur 7

1. Placer enheden på en stabil, flad overflade. Husk at fylde vandet til enheden frakoblet.
2. Åbn vandpåfyldningsdækslet (2) sammen med vandpåfyldningslåget (1).
3. Husk, at tågeluftkanalen (5) skal installeres inde i vandtanken, før vandet tilsættes.
4. Sprøjt ikke vand ind i sprøjtedyse (3), når du tilføjer vandet, og sprøjt ikke vand ind i tågeudløbet (10) samt sprøjt ikke vand ind i luftudløbet (9).
5. Vær opmærksom på ikke at overskride det MAX (maksimale) vandniveau, der er markeret på luftudtaget (9) - Ilok ved figur 2. Brug rent postevand.
6. Luk vandbeholderdækslet (2) sammen med vandpåfyldningslåget (1). Tilslut enheden.
7. Når enheden ikke er planlagt til at blive brugt, skal vandet hældes ud af vandtanken (6).
8. For at reducere udfældningen af kalk fra vandet - hvidt pulver, kan du eventuelt købe et vandfilter til denne enhed, nummer AD7972.1 fra sælgeren af denne enhed.

AROMATERAPI FUNKTION

1. Fjern vandbeholderdækslet (1) sammen med vandpåfyldningslåget (1).
  2. Hæld 2-3 dråber æterisk olie på en aromaterapi-bomuldssvamp (13) og anbring den i en aromaterapibeholder (4). Se på figur 4. Placer en aromaterapibeholder (4) på toppen af tågeudløbet (10). Den pæne duft vil blive fordelt sammen med tåge.
- BEMÆRK:** KUN vandopløselige æteriske olier er egnede til denne enhed.
3. DRYP IKKE æteriske olier direkte i vandet.

OPERATION

1. Efter tilslutning giver enheden et lydsignal, og enheden går i standbytilstand.
2. For at tænde enheden skal du trykke én gang på tænd-knappen (7A). Standardtågevolumen er indstillet til lavt niveau, du vil se på displayet (8) to linjer (Figur 9B). Tryk på denne knap (7A) gentagne gange for at ændre tilstandene til medium tågeudgangsniveau (Figur 9C), høj tågevolumen (Figur 9D), dvaletilstand (Figur 9D) eller sluk for enheden (Figur 9E) efter tur.

## BESKYTTELSE AF VANDMANGEL

Når enheden fungerer, registrerer den indbyggede fjeder mangel på vand. Så holder enheden op med at fungere, displayet (8) vil vise "EE" og blinke i 5 sekunder, og du vil høre 3 lydsignaler. Herefter går enheden i standbytilstand. Når du har tilsat vandet, skal du trykke på afbryderknappen (7A), så kan enheden fungere normalt.

## INDSTILLING AF SLEEP MODE

Enheden vil arbejde ved medium tågeudgang i 5 minutter, og den vil sætte tågeudgangen på pause i 5 minutter, derefter fungerer den i 5 minutter, og den holder pause i 10 minutter; derefter vil den virke i 5 minutter, og den vil holde pause i 15 minutter, yderligere drift vil blive fortsat i en sådan cyklus. I dvaletilstand er displayet (8) dæmpet – se figur 9E.

## TIMERINDSTILLING

Standardindstillingen er nul timer. Under drift skal du trykke gentagne gange på timerknappen (7B) for at vælge en af timerens driftsperiode: 1 time eller 2 timer eller 4 timer eller 6 timer, eller tryk igen for at slukke timerfunktionen – se figur 4. Timerfunktionen stopper driften af enheden efter den fastsatte periode.

## INDSTILLING AF LUFTFUGTIGHED

Under betjeningen af enheden skal du trykke på den kontinuerlige fugtighedsknap (7C), du kan indstille fugtighedsværdien i området 40-90% af den relative luftfugtighed, hvert gentagne tryk vil stige med 5% værdi. Når fugtighedsniveauet er indstillet, befugter enheden konstant til det ønskede befugtningsniveau. Når det ønskede befugtningsniveau er nået, går enheden i standbytilstand og stopper med at sprøjte tågen, indtil den omgivende luftfugtighed er reduceret til 5 % under det ønskede befugtningsniveau. I så fald begynder enheden automatisk at sprøjte tågen igen. Se på figur 5.

## RENGØRING OG VEDLIGEHOLDELSE

1. Tilslut enheden før rengøring. Hvis der er lidt vand tilbage i vandbeholderen (6), skal det hældes ud ved at vippe vandbeholderen (6).
- BEMÆRK:** Vigtigt problem er den korrekte placering af vandtanken (6), mens vandet hældes ud. Den korrekte position opnås, når luftudtaget (9) forbliver tørt, og vandstrømmen ledes af vandbeholderens (6) modsatte kant.
2. Rengør vandbeholderen hver 3. dag.
3. Efter at enheden har været brugt i en periode, er det let at se skæl og danne "hvidt pulver"-fænomen, det er fastgjort til overfladen af en forstøvningstransducer (12), hvilket påvirker befugtningseffektiviteten. Det er nødvendigt at rengøre hovedkomponenterne regelmæssigt. Se figur 6 for at rense hovedkomponenterne.
- \* Åbn vandbeholderdækslet (2), adskil tågeluftkanalen (5) ved at dreje mod uret - se figur 6A.
- \* Tør indersiden af vandtanken (6) og tågeluftkanalen (5) af med en blød klud – se figur 6B.
- \* Tilsæt den rigtige mængde vand, rengør enheden med rensesvamp (14) - se figur 6C.
- \* Tør en forstøvningstransducer (12) af med en vatpind, der sidder fast med citronsyreopløsning.
4. Brug ikke skarpe hårde redskaber til at røre ved forstøveren.
5. Brug ikke rengøringsmiddel til at rengøre, klanvand er bedre. Tør derefter elementerne med en blød klud, installer tågeluftkanalen (5) ved at dreje med uret.
6. Den ydre overflade af apparatet kan rengøres med en fugtig klud og derefter tørres af med en ren klud. Brug ikke kemiske opløsningsmidler, benzin, petroleum eller polerpulver til at tørre overfladen af.
7. Lad ikke vandet komme ind i huset under rengøring for at undgå funktionsfejl i komponenterne.
8. Rengør enheden før hver næste brug.

## OPBEVARING

1. Til sæsonopbevaring skal enheden være tom, rengjort og tør.
2. Opbevaring i posen for at forhindre støvet på et tørt sted.

## FEJLFINDING

Hvis enheden ikke fungerer korrekt, skal du kontrollere følgende mulige årsager, før du sender den til eftersalgsservice for at løse problemer på egen hånd.

**PROBLEM I.:** Displayet (8) er ikke tændt.

**MULIG ÅRSAG TIL PROBLEM I:** Strømmen er ikke tilsluttet korrekt.

**LØSNING AF PROBLEM I:** Sæt netledningen i og tænd for strømmen.

**PROBLEM II.:** der er vand i tanken, det røde lys blinker, når enheden tændes

**MULIG ÅRSAG TIL PROBLEM II:** der er for meget skala på en forstøvningstransducer (12)

**LØSNING AF PROBLEM II:** rens den skala, der samler sig på forstøvningstransduceren (12)

**PROBLEM III.:** forstøvningsmængden er for lille

**MULIG ÅRSAG TIL PROBLEM III:**

**IIIa.** Der er for mange hvide skalaer på forstøvningstransduceren (12)

**IIIb.** Vandet er for snavset eller opbevaret for længe

**IIIc.** Tågevolumen blev sat op på lavt niveau

**LØSNING AF PROBLEM III:**

**IIIa.** rengør den hvide kalk på en forstøvningstransducer (12)

IIIb . Skift til rent vand

IIIc. Indstil mellem eller højt tågeniveau

PROBLEM IV.: Unormal støj

MULIG ÅRSAG TIL PROBLEM IV:

IVa . Der er for mindre vand i vandbeholderen

IVb . Det kolliderer med bordoverfladen for at producere rystelser

LØSNING AF PROBLEM IV:

IVa . tilsæt vand

IVb . Placer enheden på en fast, glat overflade

PROBLEM V: Besynderlig lugt af tåge

MULIG ÅRSAG TIL PROBLEM II: Vandet i vandtanken er ikke rent, eller det har været opbevaret i lang tid

LØSNING AF PROBLEM II: Rengør vandtanken, tør den, og tilsæt derefter rent vand

TEKNISK DATO:

Effekt: 23W

Strømforsyning: 220-240V ~50-60Hz

Vandbeholderens kapacitet : 4 liter



Af hensyn til miljøet . Venligst overfør papemballage til affaldspapir. Hæld polyethylenposer (PE) i plastbeholderen Slidt enhed skal returneres til det relevante punkt opbevaring, fordi det er farligt i enheden ingredienser kan udgøre en trussel for miljøet. Den elektriske enhed skal overleveres for at begrænse dets genanvendelse og brug. Hvis i enheden der er batterier, fjern dem og vende tilbage til punktet opbevares separat.

(UA) УКРАЇНСЬКА

ЗАГАЛЬНІ УМОВИ БЕЗПЕКИ

ВАЖЛИВІ ІНСТРУКЦІЇ З БЕЗПЕКИ ПРОЧИТАЙТЕ УВАЖНО І ЗБЕРЕГТЕ НА МАЙБУТНЄ

Гарантійні умови відрізняються, якщо пристрій використовується для комерційних цілей.

- 1.Перед використанням продукту уважно прочитайте та завжди дотримуйтесь наступних інструкцій. Виробник не несе відповідальності за збитки, спричинені використанням пристрою всупереч призначенню або неправильною експлуатацією.
- 2.Пристрій призначений лише для домашнього використання. Не використовуйте для інших цілей, які не за призначенням.
3. Пристрій слід підключати лише до розетки 220-240 В ~ 50/60 Гц.
4. Будьте особливо обережні, використовуючи пристрій, коли поруч знаходяться діти. Не дозволяйте дітям гратися з пристроєм, не дозволяйте дітям або людям, які не знайомі з пристроєм, використовувати його.
5. ПОПЕРЕДЖЕННЯ: Цим обладнанням можуть користуватися діти віком від 8 років та люди з обмеженими фізичними, сенсорними чи розумовими можливостями, або люди, які не мають досвіду та знань про обладнання, якщо це робиться під наглядом відповідальної особи для їхньої безпеки або їм була надана інформація щодо безпечного використання пристрою та вони усвідомлюють небезпеку його використання. Діти не повинні гратися з обладнанням. Чищення та обслуговування пристрою не повинні виконуватися дітьми, якщо вони не старші 8 років, і ці заходи проводяться під наглядом.
6. Завжди виймайте вилку з розетки після використання, тримаючи розетку рукою. НЕ тягніть за шнур живлення.
7. Не занурюйте кабель, вилку, основу та весь пристрій у воду або будь-яку іншу

рідину. Не піддавайте пристрій атмосферним умовам (дощ, сонце тощо) або використовуйте його в умовах підвищеної вологості (ванні кімнати, вологі мобільні будинки).

8. Періодично перевіряйте стан шнура живлення. Якщо шнур живлення пошкоджений, його слід замінити спеціалістом у ремонтному центрі, щоб уникнути небезпеки.

9. Не використовуйте пристрій із пошкодженим шнуром живлення, якщо він впав або пошкоджений будь-яким іншим способом або якщо він працює неправильно. Не ремонтуйте пристрій самостійно, оскільки існує ризик ураження електричним струмом. Віднесіть пошкоджений пристрій у відповідний сервісний центр для перевірки чи ремонту. Всі ремонтні роботи можуть проводитись лише в авторизованих сервісних центрах. Неправильно виконаний ремонт може створити серйозну небезпеку для користувача.

10. Помістіть пристрій на прохолодній, стійкій поверхні, подалі від гарячих кухонних приладів, таких як електрична плита, газовий пальник тощо.

11. Не використовуйте пристрій поблизу легкозаймистих матеріалів.

12. Шнур живлення може не звисати над краєм столу або торкатися гарячих поверхонь.

13. Ніколи не залишайте виріб підключеним до джерела живлення без нагляду. Навіть коли користування перервано на короткий час, вимкніть його з мережі, вимкніть живлення.

14. Щоб забезпечити додатковий захист, доцільно встановити в електричному ланцюзі пристрій залишкового струму (УЗО) з номінальним залишковим струмом, що не перевищує 30 мА. Попросіть про це електрика.



15. Не використовуйте пристрій поблизу води, напр. ... під душем, ванною або над умивальником з водою.

16. Коли прилад використовується у ванній, вийміть вилку з розетки після використання, оскільки близькість води становить небезпеку, навіть коли прилад вимкнено.

17. Не допускайте намокання пристрою. Якщо пристрій потрапляє у воду, негайно вийміть вилку з розетки. Не кладіть руки у воду, коли машина підключена до мережі. Перед повторним використанням його повинен перевірити кваліфікований електрик.

18. Не тримайте пристрій мокрими руками.

19. Завжди вимикайте пристрій після кожного використання. Будь ласка, вимкніть живлення перед відключенням.

20. Ніколи не вмикайте пристрій без води у резервуарі для води.

21. Використовуйте лише чисту, прохолодну воду.

22. Не наливайте воду в бак вище максимального рівня.

23. Не занурюйте основу зволожувача. Якщо на пристрій розливається вода, негайно відключіть його від мережі та дайте йому висохнути.

24. Не додайте ніяких хімічних речовин у басейни з водою, резервуар для води або



отвір для туману. Не додавайте у воду солі, таблетки для видалення накипу, порошки та засоби для чищення.

25. Вхідний отвір туману та кришка резервуару для води завжди повинні бути щільно закриті.

26. Переконайтесь, що отвір туману зволожувача не спрямований безпосередньо на стіни, меблі, електричні розетки, електричні та електронні пристрої або дітей.

Занадто висока вологість у приміщенні може призвести до накопичення вологи, спричиняючи ріст бактерій та грибків, пошкодження стін, меблів та шпалер.

27. Не перекривайте вентиляцію пристрою. Дотримуйтесь відстані не менше 20 см від пристрою. Не перекривайте вихід водяного туману зволожувача.

28. Не використовуйте пристрій, якщо існує ризик конденсації. Волога може утворюватися всередині та зовні пристрою, коли:

- пристрій перенесено з холодного в тепле місце,

- система опалення щойно увімкнена,

- пристрій використовується в приміщенні з підвищеною вологістю,

- пристрій охолоджується системою охолодження кондиціонера.

Коли в пристрої відбувається конденсація вологи, він може не працювати належним чином або може бути пошкоджений в крайніх випадках. У цьому випадку не використовуйте пристрій і дайте йому висохнути протягом декількох годин.

29. Не нахилийте, не перевертайте та не намагайтесь долити або вилити воду з машини під час роботи.

30. Не виймайте бак з основи приладу під час роботи зволожувача.

31. Наповнений резервуар для води важкий. Тримаючи його, тримайте його також знизу.

32. Не використовуйте зволожувач повітря, якщо під приладом виявляється витік води.

33. Не залишайте воду в зволожувачі, коли він не використовується.

34. Дотримуйтесь інструкцій з очищення у цьому посібнику.

35. Ніколи не дозволяйте осідання, вологи або води залишатися в базовому резервуарі зволожувача (це може призвести до забруднення або навіть пошкодження ультразвукового пульверизатора).

36. Під час тривалої роботи пристрою водяний туман, що виділяється зволожувачем, може впасти на підлогу та спричинити вологу.

37. Не піднімайте резервуар для води за місце випуску водяного туману.

38. Забороняється вставляти металеві стружки, дріт, голки та інші сторонні предмети у виріб або в зазори корпусу, інакше це може спричинити ураження електричним струмом або несправність.

39. Майте на увазі, що високий рівень вологості може сприяти зростанню біологічних організмів та грибів у навколишньому середовищі.

40. Занадто велика вологість у приміщенні може призвести до накопичення вологи, що спричинить пошкодження стін, меблів, шпалер та інших електричних приладів,

таких як телевізор. Не спрямовуйте отвір туману поблизу таких предметів.

41. Не дозволяйте області навколо зволожувача вологою або вологою. Якщо виникає вогкість, зменшіть утворення туману. Якщо потужність туману не вдається зменшити, використовуйте зволожувач з перервами. Не допускайте, щоб абсорбуючі матеріали, такі як килими, штори, порт'єри або скатертини, стали вологими.

42. Не закривайте пристрій. Не кладіть будь-які предмети на верхню частину пристрою.

43. Не використовуйте пристрій разом із програмістом, таймером чи іншим пристроєм, який автоматично вмикає зволожувач.

Попередження: мікроорганізми, які можуть бути присутніми в резервуарі для води, будуть винесені в повітря, що спричинить дуже серйозну небезпеку для здоров'я. Щоб цього не сталося, регулярно міняйте воду і очищайте ємність кожні три дні.

Попередження: резервуар для води слід спорожнити та наповнювати кожні три дні. Перед повторним наповненням очистіть його прісною водою або за допомогою доступних миючих засобів, якщо цього вимагає виробник. Видаліть накип, відкладення або плівку, що утворилася на стінках бака. Після очищення витріть насухо всі доступні поверхні.

Ультразвуковий зволожувач використовує ультразвуковий височастотний принцип коливань, вода розпилюється на ультрадрібні частинки розміром 1-5 мікрон, потім водяний туман розсіюється в повітря через пневматичний пристрій, щоб досягти мети рівномірного зволоження повітря, освіжаючи повітря, зволоження шкіри та покращення здоров'я.

Перед першим використанням

Коли пристрій увімкнено, будь ласка, не торкайтеся до розпилювального перетворювача (12) руками, щоб уникнути травм.

Опис пристрою: Ультразвуковий зволожувач

1. Кришка для заповнення води

3. Розпилювач

5. Туманний повітропровід

7A. Увімкнення / Регулювання туману / Режим сну / Кнопка вимикання

7B. Кнопка таймера

8. Дисплей

10. Вихідний отвір для туману

12. Розпилювальний перетворювач

14. Щітка для чищення

2. Кришка резервуара для води

4. Контейнер для ароматерапії

6. Резервуар для води

7C. Кнопка постійної вологості

9. Вхід повітря

11. Вихідний отвір для повітря

13. Ароматерапевтична ватна губка

НАПОВНЕННЯ ВОДИ – подивіться на малюнок 7

1. Поставте пристрій на стійку рівну поверхню. Не забудьте залити воду до вимкненого пристрою.

2. Відкрийте кришку (2) разом із кришкою (1).

3. Пам'ятайте, що повітропровід для туману (5) має бути встановлений у резервуар для води перед додаванням води.

4. Під час додавання води не впорскуйте воду в розпилювальну форсунку (3) і не вприскуйте воду в отвір для випуску туману (10), а також не впорскуйте воду в отвір для випуску повітря (9).

5. Слідкуйте за тим, щоб не перевищувати МАХ (максимальний) рівень води, позначений на випускному отворі для повітря (9) - Ілос на малюнку 2. Використовуйте чисту водопровідну воду.

6. Закрийте кришку резервуара для води (2) разом із кришкою для заливки води (1). Підключіть пристрій до мережі.

7. Якщо пристрій не планується використовувати, воду слід вилити з резервуара для води (6).

8. Для зменшення випадання з води вапняного нальоту - білого порошку, ви можете за бажанням придбати фільтр для води для даного приладу, номер AD7972.1 у продавця даного пристрою.

## ФУНКЦІЯ АРОМАТЕРАПІЇ

1. Зніміть кришку резервуара для води (1) разом із кришкою для заливки води (1).
  2. Налийте 2-3 краплі ефірної олії на ароматерапевтичну ватну губку (13) і помістіть її в ароматерапевтичний контейнер (4). Подивіться на Малюнок 4. Помістіть контейнер для ароматерапії (4) у верхній частині випуску туману (10). Приємний запах буде поширюватися разом з туманом.
- УВАГА: для цього пристрою підходять ЛИШЕ водорозчинні ефірні масла.
3. НЕ капайте ефірні олії безпосередньо у воду.

## ЕКСПЛУАТАЦІЯ

1. Після підключення пристрій подає звуковий сигнал і пристрій переходить в режим очікування.
2. Щоб увімкнути пристрій, натисніть один раз кнопку ввімкнення (7A). За замовчуванням об'єм туману встановлений на низький рівень, ви побачите на дисплеї (8) дві лінії (Малюнок 9B). Натисніть цю кнопку (7A) кілька разів, щоб змінити режими на середній рівень випуску туману (Малюнок 9C), великий об'єм туману (Малюнок 9D), режим сну (Малюнок 9D) або по черзі вимкнути пристрій (Малюнок 9E).

## ЗАХИСТ ВІД ДЕФЕКТУ ВОДИ

Коли пристрій працює, вбудована пружина визначає відсутність води. Після цього пристрій припиняє роботу, на дисплеї (8) протягом 5 секунд блимає «EE» і ви чуєте 3 звукові сигнали. Після цього пристрій переходить в режим очікування. Після додавання води натисніть кнопку ввімкнення (7A), після чого пристрій зможе нормально працювати.

## НАЛАШТУВАННЯ РЕЖИМУ СНУ

Пристрій працюватиме на середньому рівні випуску туману протягом 5 хвилин і призупинить вихід туману на 5 хвилин, потім він попрацює 5 хвилин і призупиниться на 10 хвилин; потім він буде працювати 5 хвилин і робити паузу на 15 хвилин, подальша робота буде продовжена в такому циклі. У сплячому режимі дисплей (8) затемнений – подивіться на малюнок 9E.

## НАЛАШТУВАННЯ ТАЙМЕРА

За замовчуванням встановлено нуль годин. Під час роботи кілька разів натисніть кнопку таймера (7B), щоб вибрати один із періодів роботи таймера: 1 годину, 2 години, 4 години або 6 годин, або натисніть ще раз, щоб вимкнути функцію таймера – див. Малюнок 4. Функція таймера зупиняє роботу пристрою після закінчення фіксованого періоду.

## НАЛАШТУВАННЯ РІВНЯ ВОЛОГОСТІ

Під час роботи приладу натисніть кнопку безперервної вологості (7C), ви можете встановити значення вологості в діапазоні 40-90% відносної вологості, кожне повторне натискання буде збільшуватися на 5% значення. Коли встановлено рівень вологості, пристрій постійно зволожує до потрібного рівня. Після досягнення бажаного рівня зволоження пристрій переходить у режим очікування та припиняє розпилення туману, доки рівень вологості навколишнього середовища не знизиться на 5% нижче бажаного рівня зволоження. У такому випадку пристрій знову починає автоматично розпилювати туман. Подивіться на малюнок 5.

## ЧИЩЕННЯ ТА ОБСЛУГОВУВАННЯ

1. Перед чищенням відключіть пристрій від мережі. Якщо в резервуарі для води (6) залишилося трохи води, її слід вилити, нахиливши резервуар для води (6).

УВАГА: Важливим моментом є правильне положення резервуара для води (6) під час зливання води. Правильне положення досягається, коли випускний отвір для повітря (9) залишається сухим, а потік води направляється протилежним краєм резервуара для води (6).

2. Очищуйте резервуар для води кожні 3 дні.

3. Після того, як пристрій використовується протягом певного періоду часу, легко з'являється накіп і утворюється явище «білого порошку», його прикріплюють до поверхні розпилювального перетворювача (12), що впливає на ефективність зволоження. Необхідно регулярно чистити основні компоненти. Щоб очистити основні компоненти, перегляньте малюнок 6.

\* Відкрийте кришку резервуара для води (2), розберіть повітропровід для туману (5), обертаючи проти годинникової стрілки - див. Малюнок 6A.

\* Протріть внутрішню частину резервуара для води (6) і повітропровід для туману (5) м'якою тканиною – див. Малюнок 6B.

\* Додайте належну кількість води, очистіть пристрій щіточкою для чищення (14) - дивіться на малюнок 6C.

\* Протріть розпилювальний перетворювач (12) ватним тампоном, змоченим розчином лимонної кислоти.

4. Не використовуйте гострий твердий посуд, щоб торкатися розпилювача.

5. Не використовуйте миючий засіб для очищення, краще кланову воду. Потім висушіть елементи м'якою тканиною, встановіть повітропровід для туману (5), обертаючи за годинниковою стрілкою.

6. Зовнішню поверхню корпусу пристрою можна очистити вологою ганчіркою, а потім витерти насухо чистою ганчіркою. Не використовуйте для протирання поверхні хімічні розчинники, бензин, гас або полірувальний порошок.

7. Не допускайте потрапляння води всередину корпусу під час очищення, щоб уникнути несправності внутрішніх компонентів.

8. Очищайте пристрій перед кожним наступним використанням.

## ЗБЕРІГАННЯ

1. Для сезонного зберігання прилад повинен бути порожнім, очищеним і сухим.
2. Зберігання в сумці для захисту від пилу, у сухому місці.

## ВИРІШЕННЯ ПРОБЛЕМ

Якщо пристрій не працює належним чином, перевірте наведені нижче можливі причини, перш ніж відправляти його в сервісну службу, щоб вирішити проблему самостійно.

ПРОБЛЕМА I.: дисплей (8) не вмикається.

МОЖЛИВА ПРИЧИНА ПРОБЛЕМИ I: живлення не підключено належним чином.

ВИРІШЕННЯ ПРОБЛЕМИ I: підключіть шнур живлення та увімкніть живлення.

ПРОБЛЕМА II.: в баку є вода, при включенні приладу блимає червоне світло

МОЖЛИВА ПРИЧИНА ПРОБЛЕМИ II: забагато накипу на розпилювальному перетворювачі (12)

РІШЕННЯ ПРОБЛЕМИ II: очистіть накип, що накопичується на розпилювальному перетворювачі (12)

ПРОБЛЕМА III.: кількість розпилення занадто мала

МОЖЛИВА ПРИЧИНА ПРОБЛЕМИ III:

IIIa. На розпилювальному перетворювачі забагато білого нальоту (12)

IIIб. Вода занадто брудна або зберігалася надто довго

IIIв. Обсяг туману був встановлений на низькому рівні

РОЗВ'ЯЗОК ЗАДАЧІ III:

IIIa. очистіть білий вапняний наліт на розпилювальному датчику (12)

IIIб. Перевести на чисту воду

IIIв. Встановіть середній або високий рівень туману

ПРОБЛЕМА IV.: Аномальний шум

МОЖЛИВА ПРИЧИНА ПРОБЛЕМИ IV:

IVa. У резервуарі занадто мало води

IVb. Він стикається з поверхнею столу, викликаючи тремтіння

РОЗВ'ЯЗОК ЗАДАЧІ IV:

IVa. додати воду

IVb. Помістіть пристрій на тверду гладку поверхню

ПРОБЛЕМА V: Своєрідний запах туману

МОЖЛИВА ПРИЧИНА ПРОБЛЕМИ II: вода в резервуарі для води нечиста або вона зберігалася протягом тривалого часу

РІШЕННЯ ПРОБЛЕМИ II: Очистіть резервуар для води, висушіть його, потім додайте чисту воду

## ТЕХНІЧНА ДАТА:

Потужність: 23 Вт

Живлення: 220-240В ~50-60Гц

Ємність бака для води : 4 літри



У інтересах навколишнього середовища.

Будь ласка, віддайте картонну упаковку в місце збору мукулатури. Поліетиленові мішки (PE) викинути в смітник для пластику. Відпрацьований пристрій повинен бути відправлений у відповідну точку зберігання, тому що в пристрої є небезпечні інгредієнти, які можуть становити загрозу навколишньому середовищу. Електричний пристрій потрібно повернути так, щоб обмежити його повторне використання. Якщо у пристрої є батарейки, то потрібно їх витягнути і віддати до відповідного пункту.

## (AR) عربي

### شروط السلامة العامة

- يجب قراءة تعليمات السلامة المهمة بعناية وحفظها للمستقبل.  
تختلف شروط الضمان إذا تم استخدام الجهاز لأغراض تجارية.  
قبل استخدام المنتج، يرجى القراءة بعناية والامتنال دائماً للإرشادات التالية. المُصنِّع غير مسؤول 1- عن الأضرار الناجمة عن استخدام الجهاز خلافاً للغرض المقصود منه أو التشغيل غير السليم.  
الجهاز للاستخدام المنزلي فقط. لا تستخدمه لأغراض أخرى ليست للغرض المقصود منها 2-  
يجب توصيل الجهاز بمقبس 220-240 فولت ~ 50/60 هرتز فقط 3  
توخي الحذر عند استخدام الجهاز عندما يكون الأطفال في مكان قريب. لا تسمح للأطفال باللعب 4. بالجهاز، ولا تسمح للأطفال أو الأشخاص الذين ليسوا على دراية بالجهاز باستخدامه  
تحذير: يمكن استخدام هذه المعدات من قبل الأطفال الذين تزيد أعمارهم عن 8 سنوات والأشخاص 5. ذوي القدرات البدنية أو الحسية أو العقلية المحدودة، أو الأشخاص الذين ليس لديهم خبرة أو معرفة بالمعدات، إذا تم ذلك تحت إشراف شخص مسؤول حفاظاً على سلامتهم أو منحهم معلومات عن الاستخدام الآمن للجهاز وإدراكهم لمخاطر استخدامه. يجب ألا يلعب الأطفال بالمعدات. لا ينبغي أن

- يقوم الأطفال بتنظيف الجهاز وصيانته ، إلا إذا كان عمرهم أكثر من 8 سنوات ويتم تنفيذ هذه الأنشطة تحت إشراف
- قم دائماً بإزالة القابس من مقبس الطاقة بعد الاستخدام عن طريق إمساك المقبس بيدك. لا تسحب سلك 6 الطاقة.
- لا تغمر الكابل والقابس والقاعدة والجهاز بالكامل في الماء أو أي سائل آخر. لا تعرض الجهاز 7. للظروف الجوية (المطر ، الشمس ، إلخ) أو تستخدمه في ظروف الرطوبة العالية (الحمامات ، المنازل المتحركة الرطبة).
- قم بفحص حالة سلك الطاقة بشكل دوري. في حالة تلف سلك الطاقة ، يجب استبداله بواسطة 8.
- مخصص في مركز الإصلاح لتجنب الخطر
- لا تستخدم الجهاز بسلك طاقة تالف أو إذا سقط أو تعرض للتلف بأي طريقة أخرى أو إذا كان لا 9- يعمل بشكل صحيح. لا تقم بإصلاح الجهاز بنفسك ، حيث يوجد خطر حدوث صدمة كهربائية. خذ الجهاز التالف إلى مركز خدمة مناسب لفحصه أو إصلاحه. لا يجوز إجراء جميع الإصلاحات إلا من خلال نقاط الخدمة المعتمدة. قد تتسبب الإصلاحات التي يتم إجراؤها بشكل غير صحيح في خطر كبير على المستخدم.
- ضع الجهاز على سطح بارد وثابت ، بعيداً عن أجهزة المطبخ الساخنة مثل الموقد الكهربائي 10. وموقد الغاز ، وما إلى ذلك
- لا تستخدم الجهاز بالقرب من المواد القابلة للاشتعال 11.
- قد لا يتدلى سلك الطاقة على حافة الطاولة أو يلمس الأسطح الساخنة 12.
- لا تترك المنتج متصلاً بمصدر الطاقة أبداً دون إشراف. حتى عند انقطاع الاستخدام لفترة قصيرة 13. قم بإيقاف تشغيله من الشبكة ، وافصل الطاقة
- في الدائرة الكهربائية بتيار متبقي (RCD) لتوفير حماية إضافية ، يُنصح بتركيب جهاز التيار المتبقي 14. مقدر لا يتجاوز 30 مللي أمبير. اسأل كهربائياً عن هذا
- لا تستخدم الجهاز بالقرب من الماء ، على سبيل المثال. ... في الدش أو حوض الاستحمام أو فوق 15. حوض الغسيل مع الماء
- عند استخدام الجهاز في الحمام ، قم بإزالة القابس من المقبس بعد الاستخدام ، حيث يمثل قرب الماء 16. خطراً حتى عند إيقاف تشغيل الجهاز
- لا تدع الجهاز يبلل. في حالة سقوط الجهاز في الماء ، قم على الفور بإزالة القابس من مقبس 17. الحائط. لا تضع يديك في الماء عندما تكون الآلة متصلة بالشبكة. يجب فحصها بواسطة كهربائي مؤهل قبل استخدامها مرة أخرى
- لا تمسك الجهاز ويديك مبتلئان 18.
- قم دائماً بإيقاف تشغيل الجهاز بعد كل استخدام. يرجى فصل الطاقة قبل فصلها 19.
- لا تقم مطلقاً بتشغيل الجهاز بدون ماء في خزان المياه 20.
- استخدم فقط الماء النظيف والبارد 21.
- لا تصب الماء في الخزان فوق المستوى الأقصى 22.
- لا تغمر قاعدة المرطب. في حالة انسكاب الماء على الجهاز ، افصله على الفور واتركه حتى يجف 23. لا تقم بإضافة أي مواد كيميائية إلى حوض الماء أو خزان المياه أو مخرج الضباب. لا تضيف 24. الأملاح أو أقراص إزالة الترسبات أو المساحيق أو مواد التنظيف إلى الماء. يجب استخدام فلتر إزالة الترسبات المتضمنة في المجموعة داخل حوض الماء فقط
- يجب أن يكون مدخل الضباب وغطاء خزان المياه مغلقين بإحكام 25.
- تأكد من أن مخرج ضباب جهاز الترطيب غير موجه مباشرة إلى الجدران ، والأثاث ، والماخذ 26. الكهربائية ، والأجهزة الكهربائية والإلكترونية ، أو الأطفال. يمكن أن تؤدي الرطوبة العالية جداً في الغرفة إلى تراكم الرطوبة ، مما يتسبب في نمو البكتيريا والفطريات ، وتلف الجدران والأثاث وورق الحائط
- لا تسد تهوية الجهاز. احتفظ بمسافة لا تقل عن 20 سم من الجهاز. لا تسد مخرج رذاذ الماء لجهاز 27. الترطيب
- لا تستخدم الجهاز إذا كان هناك خطر التكتيف. يمكن أن تتكون الرطوبة داخل وخارج الجهاز في 28. الحالات التالية:
- ، ينقل الجهاز من مكان بارد إلى مكان دافئ -
  - ، تم تشغيل نظام التدفئة للتو -
  - ، الجهاز يستخدم في غرفة ذات رطوبة عالية -
  - يتم تبريد الجهاز بنظام تبريد التكييف -
- عند حدوث تكتف للرطوبة في الجهاز ، فقد لا يعمل بشكل صحيح أو قد يتلف في الحالات القصوى. في هذه الحالة ، لا تستخدم الجهاز واتركه يجف لبضع ساعات

29. لا تقم بإزالة الجهاز أو قلبه أو محاولة ملئه أو صب الماء من الجهاز أثناء التشغيل.
30. لا تقم بإزالة الخزان من قاعدة الجهاز أثناء تشغيل المرطب.
31. خزان المياه المملوء ثقيل. عند حملها ، احتفظ بها تحتها أيضاً.
32. لا تستخدم المرطب إذا وجدت تسربات المياه من تحت الجهاز.
33. لا تترك الماء في المرطب عند عدم استخدامه.
34. اتبع تعليمات التنظيف في هذا الدليل.
35. لا تسمح أبداً للترسيب أو الرطوبة أو الماء بالبقاء في خزان قاعدة المرطب (قد يتسبب ذلك في تلوث أو حتى تلف المرزاد فوق الصوتي).
36. أثناء التشغيل المطول للجهاز ، قد يسقط رذاذ الماء المنبعث من جهاز الترطيب على الأرض. ويسبب الرطوبة.
37. لا ترفع خزان المياه عن طريق مخرج رذاذ الماء.
38. يحظر إدخال الرقائق المعدنية والأسلاك والإبر والأجسام الغريبة الأخرى في المنتج أو في فجوات السكن ، وإلا فقد يتسبب ذلك في حدوث صدمة كهربائية أو عطل.
39. اعلم ان مستويات الرطوبة العالية قد تشجع على نمو الكائنات الحية والفطريات في البيئة.
40. الرطوبة الزائدة في الغرفة يمكن أن تؤدي إلى تراكم الرطوبة مما يؤدي إلى إتلاف الجدران والأثاث وورق الحائط والأجهزة الكهربائية الأخرى مثل التلفزيون. لا توجه منفذ الضباب بالقرب من هذه الأشياء.
41. لا تسمح للمنطقة المحيطة بجهاز الترطيب أن تصبح رطبة أو مبللة. في حالة حدوث رطوبة ، قم بخفض إنتاج الضباب. إذا تعذر خفض سعة الضباب ، فاستخدم جهاز الترطيب بشكل متقطع. لا تسمح للمواد الماصة ، مثل السجاد ، والستائر ، والستائر ، أو مفارش المائدة ، أن تصبح رطبة.
42. لا تغطي الجهاز. لا تضع أي أشياء على الجزء العلوي من الجهاز.
43. لا تستخدم الجهاز مع مبرمج أو مؤقت أو أي جهاز آخر يقوم تلقائيًا بتشغيل المرطب.

تحذير: الكائنات الحية الدقيقة التي قد تكون موجودة في خزان المياه سوف يتم نفيها في الهواء ، مما يتسبب في مخاطر صحية خطيرة للغاية. لمنع ذلك ، قم بتغيير الماء بانتظام ونظف الخزان كل ثلاثة أيام.

تحذير: يجب تفريغ خزان المياه وإعادة ملئه كل ثلاثة أيام. قبل إعادة التعبئة ، قم بتنظيفه بالماء العذب أو باستخدام المنظفات المتاحة إذا طلبت الشركة المصنعة. قم بإزالة الترسبات أو الترسبات أو الغشاء المتشكل على جدران الخزان. بعد التنظيف ، جفف جميع الأسطح التي يمكن الوصول إليها.

يستخدم مرطب الهواء بالموجات فوق الصوتية مبدأ التذبذب عالي التردد بالموجات فوق الصوتية ، ويتم تحويل الماء إلى جزيئات دقيقة للغاية 1-5 ميكرون ، ثم ينتشر ضباب الماء في الهواء من خلال الجهاز الهوائي ، وذلك لتحقيق الغرض من ترطيب الهواء بشكل موحد ، ومنعش الهواء وترطيب البشرة وتحسين الصحة.

قبل الاستخدام الأول

عند تشغيل الجهاز ، يرجى عدم لمس محول الطاقة المتطاير (١٢) بيدك لتجنب الأذى.

وصف الجهاز: مرطب يعمل بالموجات فوق الصوتية

غطاء تعبئة المياه 1.

غطاء خزان المياه 2.

رذاذ فوهة 3.

حاوية العلاج 4.

ضباب مجرى الهواء 5.

خزان المياه 6.

أ. مفتاح التشغيل / ضبط الضباب / وضع السكون / زر إيقاف التشغيل 7

ب. زر المؤقت 7

زر الرطوبة المستمرة 7C.

العرض 8.

مدخل الهواء 9.

10. منفذ الضباب
11. منفذ الهواء
12. محول الطاقة التفتيت
13. إسفنجة قطنية للعلاج بالروائح
14. تنظيف الفرشاة

ملء الماء - انظر إلى الشكل ٧

1. ضع الجهاز على سطح ثابت ومستوي. تذكر أن تملأ الماء بجهاز غير موصول.
- (1) مع غطاء تعبئة الماء (2) افتح غطاء تعبئة الماء
- داخل خزان المياه قبل إضافة الماء (5) تذكر أنه يجب تركيب مجرى هواء الضباب
- وكذلك لا (10) ولا تتم بحقن الماء في مخرج الضباب (3) عند إضافة الماء ، لا تتم بحقن الماء في فوهة الرش
- (9) تتم بحقن الماء في مخرج الهواء
- يجب عدم تجاوزه - (9) انتبه إلى عدم تجاوز الحد الأقصى (الأقصى) لمستوى المياه المحدد على مخرج الهواء
- استخدم ماء الصنبور لتنظيف 2. في الشكل
- قم بتوصيل الجهاز (1) مع غطاء تعبئة الماء (2) أغلق غطاء خزان الماء
- (6) في حالة عدم التخطيطي لاستخدام الجهاز ، يجب سكب الماء من خزان المياه
- ، لتقليل ترسيب الترسبات الكلسية من الماء - المسحوق الأبيض ، يمكنك اختياريًا شراء فلتر مياه لهذا الجهاز
8. من بائع هذا الجهاز AD7972.1 رقم

وظيفة العلاج بالعمطور

- (1) مع غطاء تعبئة الماء (1) انزع غطاء خزان المياه
- وضعها داخل وعاء للعلاج (13) قطرات من الزيت العطري على إسفنجة قطنية للعلاج بالروائح 2-3 صب
- س يتم توزيع الرائحة (10) أعلى منفذ الضباب (4) ضع وعاء علاج عطري 4. انظر إلى الشكل (4) بالروائح اللطيفة مع الضباب
- تنبيه: فقط الزيوت الأساسية القابلة للذوبان في الماء مناسبة لهذا الجهاز
- ل. لتقطر الزيوت العطرية إلى الماء مباشرة 3.

عملية

1. بعد توصيل الجهاز يعطي إشارة صوتية ويدخل الجهاز في حالة الاستعداد
2. تم ضبط حجم الضباب الافتراضي على مستوى (7A) لتشغيل الجهاز ، اضغط مرة واحدة على زر التشغيل
- بشكل متكرر لتغيير (أ 7) اضغط على هذا الزر .(ب و الشكل) س طرين (8) منخفض ، ستري على الشاشة
- وضع السكون ، (د 9 الشكل) حجم ضباب مرتفع ، (ج 9 الشكل) الأوضاع إلى مستوى إخراج ضباب متوسط
- بدوره (هـ 9 الشكل) أو إيقاف تشغيل الجهاز (د 9 الشكل)

حماية نقص المياه

وتومض لمدة ٥ ثوان وسوف "EE" (٨) عندما يعمل الجهاز ، يكتشف الزنبرك المدمج نقص المياه. بعد ذلك يتوقف الجهاز عن العمل ، ستعرض الشاشة تسمع ٣ إشارات صوتية. بعد ذلك ، يدخل الجهاز في حالة الاستعداد. بعد إضافة الماء ، اضغط على زر التشغيل (٧ أ) ، ثم يمكن للجهاز العمل بشكل طبيعي

إعداد وضع النوم

سيعمل الجهاز بإخراج ضباب متوسط لمدة ٥ دقائق وسيوقف إخراج الضباب مؤقتًا لمدة ٥ دقائق ، ثم يعمل لمدة ٥ دقائق وسيوقف مؤقتًا لمدة ١٠ دقائق ؛ بعد ذلك ستعمل لمدة ٥ دقائق وستتوقف لمدة ١٥ دقيقة ، وستستمر العملية الأخرى في هذه الدورة. في وضع السكون ، تكون الشاشة (٨) باهتة - انظر إلى الشكل ٩

ضبط الوقت

بشكل متكرر لاختيار فترة تشغيل المؤقت: ساعة واحدة أو ساعتان أو ٤ (٧B) الإعداد الافتراضي هو صفر ساعة. أثناء التشغيل ، اضغط على زر المؤقت ساعات أو ٦ ساعات أو اضغط مرة أخرى لإيقاف تشغيل وظيفة المؤقت - انظر إلى الشكل ٤. توقف وظيفة المؤقت العملية الجهاز بعد مرور فترة محددة

إعداد مستوى الرطوبة

يمكنك ضبط قيمة الرطوبة في نطاق ٤٠-٩٠٪ من الرطوبة النسبية ، كل ضغطة متكررة ، (٧C) أثناء تشغيل الجهاز ، اضغط على زر الرطوبة المستمرة

ستزيد بقيمة ٥٪، عند ضبط مستوى الرطوبة ، يقوم الجهاز باستمرار بالترطيب إلى مستوى الترطيب المطلوب. بعد الوصول إلى مستوى الترطيب المطلوب ، يدخل الجهاز في حالة الاستعداد ويتوقف عن رش الضباب حتى ينخفض مستوى الرطوبة المحيطة إلى ٥٪ دون مستوى الترطيب المطلوب. في هذه الحالة ، يبدأ الجهاز في رش الضباب مرة أخرى تلقائياً. انظر إلى الشكل ٥

التنظيف والصيانة

6. فيجب سكهه بإمالة خزان المياه (6) قم بتوصيل الجهاز قبل التنظيف. إذا بقي بعض الماء في خزان المياه 1. تنبيه: المشكلة المهمة هي وضع خزان الماء الصحيح (٦) أثناء سكب الماء. يتم الوصول إلى الموضع الصحيح عندما يظل مخرج الهواء (٩) جافاً ويقود (٦). تيار الماء بالحافة المقابلة لخزان المياه
- أ. أيام 3 نظف خزان المياه كل 2.
- ب. بعد استخدام الجهاز لفترة من الوقت ، من السهل أن تظهر على نطاق واسع وتشكل ظاهرة "المسحوق 3.
- مما يؤثر على كفاءة الترطيب. من الضروري (12) الأبيض" ، يتم تثبيتها على سطح محول الطاقة الرشاش
6. تنظيف المكونات الرئيسية بانتظام. لتنظيف المكونات الرئيسية ، انظر إلى الشكل
- أ. افتح غطاء خزان المياه (٢) ، قم بفك مجرى الهواء الضبابي (٥) بالتناوب عكس اتجاه عقارب الساعة - انظر إلى الشكل ٦ أ \*
- ب. امسح الجزء الداخلي لخزان المياه (٦) وقناة الهواء الضبابية (٥) بقطعة قماش ناعمة - انظر إلى الشكل ٦ ب \*
- ج. أضف كمية مناسبة من الماء ، نظف الجهاز بفرشاة التنظيف (١٤) - انظر الشكل ٦ ج \*
- د. امسح محول طاقة التفيت (١٢) بقطعة قطن ملتصقة بمحلول حامض الستريك \*
- ل. استخدم أواني صلبة حادة للمس المرذاذ 4.
- ل. استخدم المنظفات لتنظيف المياه عشيبة أفضل. بعد ذلك تجف العناصر بقطعة قماش ناعمة ، قم بتركيب 5.
- عن طريق الدوران في اتجاه عقارب الساعة (5) مجرى هواء الضباب
- ي. يمكن تنظيف السطح الخارجي لمبيت الجهاز بقطعة قماش مبللة ثم مسحه بقطعة قماش نظيفة. لا تستخدم 6.
- المذيبات الكيميائية أو البنزين أو الكيروسين أو مسحوق التلميع لمسح السطح
- ل. تدع الماء يدخل السكن عند التنظيف لتجنب تعطل المكونات الداخلية 7.
- ق. قم بتنظيف الجهاز قبل كل استخدام تالي 8.

تخزين

1. لتخزين الموسمي ، يجب أن يكون الجهاز فارغاً ونظيفاً وجافاً.
2. التخزين في كيس لمنع الغبار ، في مكان جاف.

استكشاف الأخطاء وإصلاحها

إذا كان الجهاز لا يعمل بشكل صحيح ، فتتحقق من الأسباب المحتملة التالية قبل الإرسال إلى خدمة ما بعد البيع لحل المشكلات بنفسك

المشكلة الأولى: الشاشة (٨) ليست قيد التشغيل

سبب محتمل للمشكلة الأولى: لم يتم توصيل الطاقة بشكل صحيح

حل المشكلة ١: قم بتوصيل سلك الطاقة وتشغيل الطاقة

المشكلة الثانية: يوجد ماء في الخزان ، ويومض الضوء الأحمر عند تشغيل الجهاز

(١٢) سبب محتمل للمشكلة الثانية: هناك مقياس كبير جداً لمحول طاقة التفيت

(١٢) حل المشكلة الثانية: تنظيف المقياس المتراكم على محول طاقة الرش

المشكلة الثالثة: كمية الانحلال صغيرة جداً

سبب محتمل للمشكلة الثالثة

(12) يوجد عدد كبير جداً من المقياس الأبيض على محول طاقة التفيت IIIa.

ثالثاً ب . الماء متسخ جداً أو مخزن لفترة طويلة جداً

تم ضبط حجم الضباب على مستوى منخفض IIIc.

حل المشكلة الثالثة

(12) تنظيف الجير الأبيض على محول الطاقة التفيت IIIa.

ثالثاً ب . قم بالتغيير إلى مياه نظيفة

قم بإعداد مستوى ضباب متوسط أو مرتفع IIIc.

المشكلة الرابعة: ضوء غير طبيعية

سبب محتمل للمشكلة الرابعة

إيفا . يوجد ماء أقل في خزان المياه

إيف ب . يصطدم بسطح الطاولة لينتج نوتزرا

حل المشكلة الرابعة

إيفا . إضافة الماء

إيف ب . ضع الجهاز على سطح صلب وثابت

المشكلة الخامسة: رائحة ضباب غريبة

سبب محتمل للمشكلة الثانية: الماء في خزان المياه غير نظيف أو تم الاحتفاظ به لفترة طويلة



حل المشكلة الثانية: نظف خزان المياه وجففه ثم أضف الماء النظيف

التاريخ الفني:

الطاقة: ٢٣ واط

مصدر الطاقة: ٢٢٠-٢٤٠ فولت ~ ٥٠-٦٠ هرتز

سعة خزان المياه : ٤ لتر

يرجى نقل عبوات الورق المقوى إلى نفايات الورق. اسكب أكياس البولي إيثيلين في الحاوية البلاستيكية  
يجب إعادة الجهاز البالي إلى نقطة تخزين مناسبة لأنه خطير في الجهاز  
قد تشكل المكونات تهديدًا للبيئة. يجب تسليم الجهاز الكهربائي للحد  
فعليك إخراجها وإعطائها إلى النقطة المخزنة بشكل منفصل، إعادة استخدامها واستخدامها. إذا كان هناك بطاريات في الجهاز



## KARTA GWARANCYJNA

WARUNKI GWARANCJI obowiązują na terenie Rzeczypospolitej Polskiej

Adler Sp. z o.o. ul. Orдона 2a 01-237 Warszawa zapewnia Użytkownika o dobrej jakości sprzętu, na który wydana jest niniejsza karta gwarancyjna i udziela 24 miesięcznej gwarancji, która liczy się od daty zakupu sprzętu. Usługi gwarancyjne świadczone są po okazaniu prawidłowo wypełnionej karty gwarancyjnej. Wady lub uszkodzenia sprzętu ujawnione w okresie gwarancji usuwane będą bezpłatnie przez Serwis Centralny. W przypadku zakupu sprzętu przez przedsiębiorcę (faktura VAT) okres gwarancji wynosi 12 miesięcy. Powyższy zapis nie dotyczy jednoosobowych działalności gospodarczych, o ile rodzaj zakupionego sprzętu, nie jest związany z profilem prowadzonej działalności gospodarczej – weryfikacja w CEIDG.

W przypadku wymiany rzeczy na nową, albo po dokonaniu istotnej naprawy, okres gwarancji biegnie na nowo od chwili dostarczenia klientowi rzeczy wolnej od wad, lub zwrócenia rzeczy naprawionej. Jeżeli gwarant wymienił część rzeczy, przepis powyższy stosuje się odpowiednio do części wymienionej. Gwarant zobowiązuje się pokryć koszty dostarczenia rzeczy do serwisu na adres wskazany w karcie gwarancyjnej. Jednakże uprawniony z gwarancji powinien zachować rozsądek, wybierając środek transportu. Uprawnionemu z gwarancji nie przysługują od gwaranta zwrot kosztów dostarczenia towaru – rzeczy do naprawy gwarancyjnej, przekraczający ekonomicznie uzasadnione koszty przewozu.

**UWAGA:** Sprzęt przeznaczony jest wyłącznie do użytku domowego. Naprawami gwarancyjnymi nie są objęte czynności związane z odkamienianiem, konserwacją, czyszczeniem urządzenia oraz części i akcesoria ulegające zużyciu przy normalnym użytkowaniu. Gwarancja nie obejmuje mechanicznych uszkodzeń sprzętu oraz wad i uszkodzeń wynikłych wskutek:

- niewłaściwego lub niezgodnego z instrukcją użytkowania, przechowywania i konserwacji;
- ingerencji nieautoryzowanego serwisu, samowolnych napraw, przeróbek i zmian konstrukcyjnych;
- użycia niewłaściwych materiałów eksploatacyjnych.
- uszkodzeń mechanicznych, termicznych, chemicznych i powstałych na skutek przepięcia w sieci.
- karta gwarancyjna jest nieważna bez daty zakupu, pieczęci sprzedającego i kopii dokumentu zakupu.
- gwarancją nie są objęte elementy eksploatacyjne i akcesoria w tym: elementy szklane (np. dzbanki, talerze), sznury przyłączeniowe, sieciowe, żarówki, baterie, nożyki i folie do urządzeń tnących, nasadki miksujące, trzepaki, mieszaki, ssawkoszczotki, rury, węże, kubki miksujące, głowice tnące i sita.

Reklamowany sprzęt jest dostarczany do Serwisu Centralnego przez Klienta w stanie kompletnym i odpowiednio zabezpieczony na czas transportu. Po dokonanej naprawie reklamowany sprzęt odbierany jest z Serwisu Centralnego przez Klienta.

Termin usunięcia wady może zostać wydłużony o czas potrzebny do importu niezbędnych części, nie dłuższy niż 30 dni roboczych. W każdym takim przypadku warsztat serwisowy powiadomi klienta o wydłużeniu terminu naprawy gwarancyjnej. W związku z koniecznością sprowadzenia części zamiennych i poinformuje o nowym terminie usunięcia wady.

W przypadku stwierdzenia usterki należy ją zgłosić w punkcie sprzedaży lub w Serwisie Centralnym, ul. Orдона 2A, 01-237 Warszawa, tel. 728-595-006 lub e-mail: [serwis@adler.com.pl](mailto:serwis@adler.com.pl).

W zgłoszeniu proszę podać swój adres, nr telefonu i opis usterki. Do reklamacji konieczne jest dołączenie kopii dokumentu zakupu.

Gwarancja nie wyłącza ani nie ogranicza oraz nie zawiesza uprawnień kupującego wynikających z przepisów o rękojmi za wady rzeczy sprzedanej.

SERWIS CENTRALNY

01-237 Warszawa ul.Orдона 2A

tel. 728 - 595 - 006

[serwis@adler.com.pl](mailto:serwis@adler.com.pl) [www.adler.com.pl](http://www.adler.com.pl)

.....  
(data sprzedaży)

.....  
(pieczęć sklepu i podpis sprzedawcy)

adnotacje serwisu:



### W trosce o środowisko..

Opakowania kartonowe oraz worki polietylenowe (PE) należy wrzucać do odpowiednich pojemników przeznaczonych do selektywnej zbiórki odpadów komunalnych zgodnie z ich opisem. Jeżeli w urządzeniu znajdują się baterie, należy je wyjąć i osobno oddać do punktu zbierania i składowania. Zużyte urządzenia należy oddać do odpowiedniego punktu zbierania i składowania, gdyż znajdujące się w nim niebezpieczne substancje mogą stanowić zagrożenie dla zdrowia i środowiska. Oznaczenie umieszczone na produkcie wskazuje, że urządzenia nie należy wyrzucać do pojemnika z odpadami komunalnymi.

Zużyty sprzęt elektryczny, to odpady, które zawierają substancje szkodliwe dla ludzi, zwierząt i środowiska. Substancje te mogą doprowadzić do zanieczyszczenia gleby, wody lub powietrza, a poprzez to mogą się dostać do organizmu człowieka i doprowadzić do licznych dolegliwości zdrowotnych, takich jak: zaburzenia wzroku, słuchu, mowy, mogą również doprowadzić do uszkodzenia nerek, wątroby i serca, oraz wywołać choroby skóry. Substancje szkodliwe mogą mieć również niekorzystny wpływ na układ oddechowy i rozrodczy oraz doprowadzić do zmian nowotworowych. Spożycie roślin rosnących na skażonych glebach, oraz produktów powstałych z nich może grozić w/w skutkami zdrowotnymi.



**Urządzenia nie wyrzucać do pojemnika na odpady komunalne !!!!**

## OGÓLNE WARUNKI BEZPIECZEŃSTWA

### WAŻNE INSTRUKCJE BEZPIECZEŃSTWA PRZECZYTAJ UWAŻNIE I ZACHOWAJ NA PRZYSZŁOŚĆ

Warunki gwarancji są inne, jeśli urządzenie jest wykorzystywane do celów komercyjnych.

1. Przed użyciem produktu przeczytaj uważnie i zawsze postępuj zgodnie z poniższymi instrukcjami. Producent nie ponosi odpowiedzialności za szkody spowodowane użytkowaniem urządzenia niezgodnie z jego przeznaczeniem lub niewłaściwą eksploatacją.
2. Urządzenie przeznaczone jest wyłącznie do użytku domowego. Nie używaj do innych celów, które nie są zgodne z przeznaczeniem.
3. Urządzenie należy podłączać wyłącznie do gniazdka 220-240 V ~ 50/60 Hz.
4. Zachowaj szczególną ostrożność podczas korzystania z urządzenia, gdy w pobliżu znajdują się dzieci. Nie pozwalaj dzieciom bawić się urządzeniem, nie pozwalaj dzieciom lub osobom niezaznajomionym z urządzeniem używać go.
5. **OSTRZEŻENIE:** Ten sprzęt może być używany przez dzieci powyżej 8 roku życia oraz osoby o ograniczonych zdolnościach fizycznych, sensorycznych lub umysłowych lub osoby, które nie mają doświadczenia ani wiedzy o sprzęcie, jeśli odbywa się to pod nadzorem osoby odpowiedzialnej ze względu na swoje bezpieczeństwo lub otrzymał informację o bezpiecznym korzystaniu z urządzenia i jest świadomy niebezpieczeństw związanych z jego używaniem. Dzieci nie powinny bawić się sprzętem. Czyszczenia i konserwacji urządzenia nie powinny wykonywać dzieci, chyba że ukończyły 8 lat i czynności te są wykonywane pod nadzorem.
6. Zawsze wyjmuj wtyczkę z gniazdka po użyciu, trzymając za gniazdko ręką. **NIE** ciągnij za przewód zasilający.
7. Nie zanurzaj kabla, wtyczki, podstawy i całego urządzenia w wodzie lub innej cieczy. Nie wystawiaj urządzenia na działanie warunków atmosferycznych (deszcz, słońce itp.) ani nie używaj w warunkach dużej wilgotności (łazienki, wilgotne domy mobilne).
8. Okresowo sprawdzaj stan przewodu zasilającego. Jeśli przewód zasilający jest uszkodzony, powinien zostać wymieniony przez specjalistę w centrum napraw, aby uniknąć niebezpieczeństwa.
9. Nie używaj urządzenia z uszkodzonym przewodem zasilającym lub jeśli zostało upuszczone lub uszkodzone w inny sposób lub jeśli nie działa prawidłowo. Nie naprawiaj urządzenia samodzielnie, ponieważ istnieje ryzyko porażenia prądem. Uszkodzone urządzenie należy przekazać do odpowiedniego centrum serwisowego w celu sprawdzenia lub naprawy. Wszelkie naprawy mogą być wykonywane wyłącznie przez autoryzowane punkty serwisowe. Nieprawidłowo wykonane naprawy mogą spowodować poważne niebezpieczeństwo dla użytkownika.
10. Umieść urządzenie na chłodnej, stabilnej powierzchni, z dala od gorących urządzeń kuchennych, takich jak kuchenka elektryczna, palnik gazowy itp.
11. Nie używaj urządzenia w pobliżu materiałów łatwopalnych.
12. Przewód zasilający nie może zwiasać z krawędzi stołu ani dotykać gorących powierzchni.
13. Nigdy nie pozostawiaj produktu podłączonego do źródła zasilania bez nadzoru. Nawet jeśli korzystanie zostanie przerwane na krótki czas, wyłącz go z sieci, odłącz zasilanie.
14. W celu zapewnienia dodatkowej ochrony zaleca się zainstalowanie wyłącznika różnicowoprądowego (RCD) w obwodzie elektrycznym o znamionowym prądzie różnicowym

nieprzekraczającym 30 mA. Poproś o to elektryka.



15. Nie używaj urządzenia w pobliżu wody, np. ... pod prysznicem, w wannie lub nad umywalką z wodą.

16. Gdy urządzenie jest używane w łazience, po użyciu wyjmij wtyczkę z gniazdka, ponieważ bliskość wody stanowi zagrożenie nawet wtedy, gdy urządzenie jest wyłączone.

17. Nie dopuścić do zamoczenia urządzenia. W przypadku wpadnięcia urządzenia do wody należy natychmiast wyjąć wtyczkę z gniazdka ściennego. Nie wkładaj rąk do wody, gdy urządzenie jest podłączone do sieci. Przed ponownym użyciem urządzenie musi zostać sprawdzone przez wykwalifikowanego elektryka.

18. Nie trzymaj urządzenia mokrymi rękami.

19. Zawsze wyłączaj urządzenie po każdym użyciu. Wyłącz zasilanie przed odłączeniem.

20. Nigdy nie włączaj urządzenia bez wody w zbiorniku na wodę.

21. Używaj tylko czystej, chłodnej wody.

22. Nie wlewaj wody do zbiornika powyżej maksymalnego poziomu.

23. Nie zanurzaj podstawy nawilżacza. Jeśli woda rozleje się na urządzenie, natychmiast odłącz je i pozostaw do wyschnięcia.

24. Nie dodawaj żadnych chemikaliów do miski na wodę, zbiornika na wodę lub wylotu mgiełki. Nie dodawaj do wody soli, tabletek odkamieniających, proszków ani środków czyszczących.

25. Wlot mgły i pokrywa zbiornika wody powinny być zawsze szczelnie zamknięte.

26. Upewnij się, że wylot mgiełki nawilżacza nie jest skierowany bezpośrednio na ściany, meble, gniazdka elektryczne, urządzenia elektryczne i elektroniczne lub dzieci. Zbyt wysoka wilgotność w pomieszczeniu może prowadzić do gromadzenia się wilgoci, powodując rozwój bakterii i grzybów oraz uszkodzenie ścian, mebli i tapet.

27. Nie blokuj wentylacji urządzenia. Zachowaj odległość co najmniej 20 cm od urządzenia. Nie blokować wylotu mgły wodnej nawilżacza.

28. Nie używaj urządzenia, jeśli istnieje ryzyko kondensacji. Wilgoć może tworzyć się wewnątrz i na zewnątrz urządzenia, gdy:

- urządzenie jest przenoszone z zimnego do ciepłego miejsca,
- system grzewczy został właśnie włączony,
- urządzenie jest używane w pomieszczeniu o dużej wilgotności,
- urządzenie jest chłodzone przez układ chłodzenia klimatyzacji.

W przypadku wystąpienia kondensacji wilgoci w urządzeniu może ono nie działać prawidłowo lub w skrajnych przypadkach może ulec uszkodzeniu. W takim przypadku nie używaj urządzenia i pozostaw do wyschnięcia na kilka godzin.

29. Nie przechylaj, nie przewracaj ani nie próbuj uzupełniać ani nie wylewać wody z urządzenia podczas pracy.

30. Nie wyjmować zbiornika z podstawy urządzenia podczas pracy nawilżacza.

31. Napelniony zbiornik na wodę jest ciężki. Podczas przenoszenia trzymaj go również pod spodem.

32. Nie używaj nawilżacza, jeśli zauważysz wyciek wody spod urządzenia.

33. Nie pozostawiaj wody w nawilżaczu, gdy nie jest używany.

34. Postępuj zgodnie z instrukcjami czyszczenia zawartymi w niniejszej instrukcji.

35. Nigdy nie dopuszczaj do pozostawiania osadów, wilgoci lub wody w zbiorniku podstawowym nawilżacza (może to spowodować zanieczyszczenie lub nawet uszkodzenie rozpylacza ultradźwiękowego).
36. Podczas dłuższej pracy urządzenia mgła wodna emitowana przez nawilżacz może opaść na podłogę i spowodować zawilgocenie.
37. Nie podnoś zbiornika na wodę za wylot mgły wodnej.
38. Zabrania się wkładania metalowych wiórów, drutu, igieł i innych obcych przedmiotów do produktu lub szczelin w obudowie, gdyż może to spowodować porażenie prądem lub wadliwe działanie.
39. Należy pamiętać, że wysoki poziom wilgotności może sprzyjać rozwojowi organizmów biologicznych i grzybów w środowisku.
40. Zbyt duża wilgotność w pomieszczeniu może prowadzić do gromadzenia się wilgoci powodując uszkodzenie ścian, mebli, tapet i innych urządzeń elektrycznych, takich jak telewizor. Nie kieruj wylotu mgły w pobliżu takich obiektów.
41. Nie dopuścić do zawilgocenia lub zamoczenia obszaru wokół nawilżacza. Jeśli pojawi się wilgoć, zmniejsz wytwarzanie mgły. Jeśli nie można zmniejszyć wydajności mgły, należy używać nawilżacza z przerwami. Nie dopuść do zawilgocenia materiałów chłonnych, takich jak dywany, zasłony, zasłony lub obrusy.
42. Nie zakrywaj urządzenia. Nie umieszczaj żadnych przedmiotów na urządzeniu.
43. Nie używaj urządzenia w połączeniu z programatorem, timerem lub innym urządzeniem, które automatycznie włącza nawilżacz.

**Ostrzeżenie:** Mikroorganizmy, które mogą być obecne w zbiorniku wodnym, będą wdmuchiwane w powietrze, powodując bardzo poważne zagrożenie dla zdrowia. Aby temu zapobiec, systematycznie wymieniaj wodę i czyść zbiornik co trzy dni.

**Ostrzeżenie:** Zbiornik na wodę należy opróżniać i ponownie napełnić co trzy dni. Przed ponownym napełnieniem wyczyść go świeżą wodą lub przy użyciu dostępnych detergentów, o ile jest to wymagane przez producenta. Usuń kamień, osady lub błonę, która utworzyła się na ściankach zbiornika. Po umyciu, wytrzyj do sucha wszystkie dostępne powierzchnie.

Nawilżacz ultradźwiękowy wykorzystuje zasadę oscylacji ultradźwiękowej o wysokiej częstotliwości, woda jest rozpylana na najdrobniejsze cząsteczki o wielkości 1-5 mikronów, a następnie mgła wodna jest rozpraszana w powietrzu przez urządzenie pneumatyczne, aby osiągnąć cel równomiernego nawilżania powietrza, odświeżania powietrza, nawilżenie skóry i poprawę zdrowia.

Przed pierwszym użyciem

Kiedy urządzenie jest włączone, nie dotykaj ręką przetwornika rozpylającego (12), aby uniknąć skaleczenia.

Opis urządzenia: Nawilżacz ultradźwiękowy

1. Pokrywa wlewu wody
2. Pokrywa zbiornika na wodę
3. Dysza rozpylająca
4. Pojemnik do aromaterapii
5. Kanał powietrza mgły
6. Zbiornik na wodę
- 7A. Przycisk włączania / regulacji mgły / trybu nocny / wyłączania

- 7B. Przycisk timera
8. Wyświetlacz
10. Wylot mgły
12. Przetwornik rozpylający
14. Szczoteczka do czyszczenia

- 7C. Przycisk ciągłej wilgotności
9. Wlot powietrza
11. Wylot powietrza
13. Bawełniana gąbka aromaterapeutyczna

#### NAPEŁNIANIE WODĄ – patrz rysunek 7

1. Umieść urządzenie na stabilnej, płaskiej powierzchni. Pamiętaj o uzupełnieniu wody do odłączonego urządzenia.
2. Otwórz pokrywę wlewu wody (2) wraz z pokrywą wlewu wody (1).
3. Pamiętaj, że kanał powietrza mgły (5) musi być zainstalowany wewnątrz zbiornika wody przed nalaniem wody.
4. Podczas dodawania wody nie wlewaj wody do dyszy rozpylającej (3) i nie wlewaj wody do wylotu mgielki (10) oraz nie wlewaj wody do wylotu powietrza (9).
5. Uważaj, aby nie przekroczyć MAX (maksymalnego) poziomu wody zaznaczonego na wylocie powietrza (9) - patrz Rysunek 2. Używaj czystej wody z kranu.
6. Zamknij pokrywę zbiornika na wody (2) razem z pokrywą wlewu wody (1). Podłącz urządzenie.
7. Gdy urządzenie nie będzie używane należy wylać wodę ze zbiornika na wodę (6).
8. Aby ograniczyć wytrącanie się kamienia z wody - biały proszek, można opcjonalnie zakupić filtr wody do tego urządzenia, numer AD7972.1 od sprzedawcy tego urządzenia.

#### FUNKCJA AROMATERAPII

1. Zdejmij pokrywę zbiornika na wodę (1) wraz z pokrywą wlewu wody (1).
2. Wlej 2-3 krople olejku eterycznego na bawełnianą gąbkę do aromaterapii (13) i umieść ją w pojemniku do aromaterapii (4). Patrz rysunek 4. Umieść pojemnik do aromaterapii (4) na górze wylotu mgielki (10). Ładny zapach będzie rozprowadzany razem z mgiełką.
- UWAGA: TYLKO rozpuszczalne w wodzie olejki eteryczne nadają się do tego urządzenia.
3. NIE kapać olejków eterycznych bezpośrednio do wody.

#### OBSŁUGA

1. Po podłączeniu urządzenie wydaje sygnał dźwiękowy i przechodzi w stan czuwania.
2. Aby włączyć urządzenie, naciśnij raz przycisk włączania (7A). Domyślna objętość mgły jest ustawiona na niski poziom, na wyświetlaczu (8) pojawiają się dwie kreski (Rysunek 9B). Kilkakrotnie wciśnięcie tego przycisku (7A) powoduje zmianę trybów na średni poziom wytwarzania mgły (Rysunek 9C), wysoki poziom wytwarzania mgły (Rysunek 9D), tryb nocny (Rysunek 9D) lub wyłączenie urządzenia (Rysunek 9E).

#### OCHRONA PRZED NIEDOBREM WODY

Gdy urządzenie pracuje, wbudowana sprężyna wykrywa brak wody. Następnie urządzenie przestaje działać, na wyświetlaczu (8) pojawi się „EE” i będzie migać przez 5 sekund oraz rozlegną się 3 sygnały dźwiękowe. Następnie urządzenie przechodzi w stan gotowości. Po dodaniu wody należy nacisnąć przycisk włączania (7A), po czym urządzenie może normalnie pracować.

#### USTAWIENIE TRYBU NOCNEGO

Urządzenie będzie działać ze średnią mocą mgły przez 5 minut i wstrzyma wytwarzanie mgły na 5 minut, następnie będzie działać przez 5 minut i zatrzyma się na 10 minut; następnie będzie pracował przez 5 minut i zatrzyma się na 15 minut, dalsza praca będzie kontynuowana w takim cyklu. W trybie nocnym wyświetlacz (8) jest przyciemniony – patrz Rysunek 9E.

#### USTAWIANIE TIMERA

Ustawienie domyślne to zero godzin. Podczas pracy naciśnij kilkakrotnie przycisk timera (7B), aby wybrać jeden z okresów działania timera: 1 godzina lub 2 godziny lub 4 godziny lub 6 godzin lub naciśnij ponownie, aby wyłączyć funkcję timera – patrz rysunek 4. Funkcja timera zatrzymuje działanie urządzenia po upływie ustalonego okresu.

#### USTAWIANIE POZIOMU WILGOTNOŚCI

Podczas pracy urządzenia należy nacisnąć przycisk ciągłego nawilżania (7C), można ustawić wartość wilgotności w zakresie 40-90% wilgotności względnej, każde kolejne naciśnięcie zwiększa wartość o 5%. Gdy poziom wilgotności jest ustawiony, urządzenie stale nawilża do pożądanego poziomu. Po osiągnięciu żądanego poziomu nawilżenia urządzenie przechodzi w stan czuwania i przestaje rozpylać mgiełkę do momentu, gdy poziom wilgotności otoczenia spadnie do 5% poniżej pożądanego poziomu nawilżenia. W takim przypadku urządzenie ponownie automatycznie zacznie rozpylać mgiełkę. Spójrz na rysunek 6.

#### CZYSZCZENIE I KONSERWACJA

1. Przed czyszczeniem odłącz urządzenie. Jeśli w zbiorniku na wodę (6) pozostało trochę wody, należy ją wylać przechylając zbiornik na wodę (6).

UWAGA: Ważną kwestią jest prawidłowe ustawienie zbiornika na wodę (6) podczas wylewania wody. Prawidłowe położenie uzyskuje się, gdy wylot powietrza (9) pozostaje suchy, a strumień wody prowadzony jest przeciwnie do kierunku wylotu mgielki (10) z przodu zbiornika na wodę (6).

2. Czyść zbiornik na wodę co 3 dni.

3. Po pewnym czasie użytkowania urządzenia łatwo osadza się kamień i tworzy się zjawisko „białego proszku”, jest on przymocowany

do powierzchni przetwornika rozpylającego (12), co wpływa na wydajność nawilżania. Konieczne jest regularne czyszczenie głównych elementów. Aby wyczyścić główne elementy, spójrz na rysunek 6.

\* Otwórz pokrywę zbiornika na wodę (2), zdemontuj kanał powietrza mgły (5), obracając go w kierunku przeciwnym do ruchu wskazówek zegara – patrz Rysunek 6A.

\* Wytrzyj wnętrze zbiornika wody (6) i kanał powietrza mgły (5) miękką ściereczką – patrz Rysunek 6B.

\* Dodaj odpowiednią ilość wody, wyczyść urządzenie szczoteczką do czyszczenia (14) – patrz rysunek 6C.

\* Przetrzyj przetwornik rozpylający (12) wacikiem nasączonym roztworem kwasu cytrynowego.

4. Nie dotykaj rozpylacza ostrymi, twardymi przedmiotami.

5. Nie używaj detergentu do czyszczenia, woda klanowa jest lepsza. Następnie osusz elementy miękką ściereczką, zamontuj kanał powietrza mgły (5) obracając zgodnie z ruchem wskazówek zegara.

6. Zewnętrzną powierzchnię obudowy urządzenia można czyścić wilgotną szmatką, a następnie wytrzeć do sucha czystą szmatką. Nie używaj rozpuszczalników chemicznych, benzyny, nafty ani proszku do polerowania do wycierania powierzchni.

7. Nie pozwól, aby woda dostała się do wnętrza obudowy podczas czyszczenia, aby uniknąć nieprawidłowego działania elementów wewnętrznych.

8. Oczyszcz urządzenie przed każdym kolejnym użyciem.

## SKŁADOWANIE

1. W przypadku przechowywania sezonowego urządzenia powinno być puste, oczyszczone i suche.

2. Przechowywać w worku chroniącym przed kurzem, w suchym miejscu.

## ROZWIĄZYWANIE PROBLEMÓW

Jeśli urządzenie nie działa prawidłowo, sprawdź następujące możliwe przyczyny przed wysłaniem do serwisu, aby samodzielnie rozwiązać problemy.

PROBLEM I.: wyświetlacz (8) nie świeci się.

MOŻLIWA PRZYCZYNA PROBLEMU I: zasilanie nie jest prawidłowo podłączone.

ROZWIĄZANIE PROBLEMU I: podłącz przewód zasilający i włącz zasilanie.

PROBLEM II.: w zbiorniku jest woda, czerwona lampka miga po włączeniu urządzenia

MOŻLIWA PRZYCZYNA PROBLEMU II: za dużo kamienia na przetworniku atomizującym (12)

ROZWIĄZANIE PROBLEMU II: oczyścić osad gromadzący się na przetworniku rozpylającym (12)

PROBLEM III.: Za mała ilość atomizacji

MOŻLIWA PRZYCZYNA PROBLEMU III:

IIIa. Na przetworniku atomizującym jest za dużo białego osadu (12)

IIIb. Woda jest zbyt brudna lub przechowywana przez zbyt długi czas

IIIc. Objętość mgły została ustawiona na niskim poziomie

ROZWIĄZANIE PROBLEMU III:

IIIa. wyczyścić biały kamień na przetworniku atomizującym (12)

IIIb. Zmień na czystą wodę

IIIc. Ustaw średni lub wysoki poziom mgły

PROBLEM IV.: Nienormalny hałas

MOŻLIWA PRZYCZYNA PROBLEMU IV:

IVa. W zbiorniku jest za mało wody

IVb. Zderza się z powierzchnią stołu, powodując drgania

ROZWIĄZANIE PROBLEMU IV:

IVa. Dodaj wodę

IVb. Umieść urządzenie na twardej, gładkiej powierzchni

PROBLEM V.: Osobliwy zapach mgiełki

MOŻLIWA PRZYCZYNA PROBLEMU II: Woda w zbiorniku nie jest czysta lub była przechowywana przez długi czas

ROZWIĄZANIE PROBLEMU II: Wyczyść zbiornik na wodę, osusz go, następnie dodaj czystą wodę

## DANE TECHNICZNE:

Moc: 23W

Zasilanie: 220-240V ~50-60Hz

Pojemność zbiornika na wodę: 4 litry

(BG) БЪЛГАРСКИ

УСЛОВИЯ ЗА БЕЗОПАСНОСТ

ВАЖНИ ИНСТРУКЦИИ ЗА БЕЗОПАСНОСТ НА ИЗПОЛЗВАНЕ

МОЛЯ, ПРОЧЕТЕТЕ ВНИМАТЕЛНО И ПАЗЕТЕ ЗА БЪДЕЩИ РЕФЕРЕНЦИИ

Гаранционните условия са различни, ако устройството се използва с търговска цел.

1. Преди да използвате продукта, моля, прочетете внимателно и винаги спазвайте следните инструкции. Производителят не носи отговорност за щети, причинени от използване на устройството в противоречие с предвиденото му предназначение или неправилна експлоатация.
2. Устройството е само за домашна употреба. Не използвайте за други цели, които не са по предназначение.
3. Устройството трябва да бъде свързано само към контакт 220-240V ~ 50/60Hz.
4. Обърнете специално внимание, когато използвате устройството, когато има деца наблизо. Не позволявайте на деца да играят с устройството, не позволявайте на деца или хора, които не са запознати с устройството, да го използват.
5. **ПРЕДУПРЕЖДЕНИЕ:** Това оборудване може да се използва от деца над 8-годишна възраст и хора с ограничени физически, сензорни или умствени възможности или от хора, които нямат опит или познания за оборудването, ако това се прави под наблюдението на отговорно лице за тяхната безопасност или им е била предоставена информация за безопасното използване на устройството и са наясно с опасностите от използването му. Децата не трябва да играят с уреда. Почистването и поддръжката на устройството не трябва да се извършват от деца, освен ако са на възраст над 8 години и тези дейности се извършват под наблюдение.
6. Винаги изваждайте щепсела от контакта след употреба, като придържате контакта с ръка. НЕ дърпайте захранващия кабел.
7. Не потапяйте кабела, щепсела, основата и цялото устройство във вода или друга течност. Не излагайте устройството на атмосферни условия (дъжд, слънце и др.) Не използвайте в условия на висока влажност (бани, влажни мобилни домове).
8. Периодично проверявайте състоянието на захранващия кабел. Ако захранващият кабел е повреден, той трябва да бъде заменен от специалист в сервизен център, за да се избегне опасност.
9. Не използвайте устройството с повреден захранващ кабел или ако е било изпуснато, или повредено по някакъв друг начин, или ако не работи правилно. Не ремонтирайте устройството сами, тъй като съществува риск от токов удар. Занесете повреденото устройство в подходящ сервизен център за проверка или ремонт. Всички ремонти могат да се извършват само от оторизирани сервизни центрове. Неправилно извършените ремонти могат да създадат сериозна опасност за потребителя.
10. Поставете устройството на хладна, стабилна повърхност, далеч от горещи кухненски уреди като електрическа печка, газов котлон и др.
11. Не използвайте устройството в близост до запалими материали.
12. Захранващият кабел може да не виси над ръба на масата или да докосва горещи повърхности.
13. Никога не оставяйте продукта свързан към източника на захранване без надзор. Дори когато употребата е прекъсната за кратко, изключете го от мрежата и



изключете захранването.



14. За да се осигури допълнителна защита, препоръчително е да се инсталира устройство за остатъчен ток (RCD) в електрическата верига с номинален остатъчен ток, който не надвишава 30 mA. Попитайте

електротехник за това.

15. Не използвайте устройството близо до вода, напр. под душа, във ваната или над мивката с вода.

16. Когато уредът се използва в баня, извадете щепсела от контакта след употреба, тъй като близостта на вода е опасна, дори когато уредът е изключен.

17. Не позволявайте на устройството да се намокри. В случай, че устройството падне във вода, незабавно извадете щепсела от контакта. Не поставяйте ръцете си във вода, когато уреда е свързан към мрежата. Той трябва да бъде проверен от квалифициран електротехник, преди да го използвате отново.

18. Не дръжте устройството с мокри ръце.

19. Винаги изключвайте устройството след всяка употреба. Моля, изключете захранването, преди да го изключите.

20. Никога не включвайте устройството без вода в резервоара за вода.

21. Използвайте само чиста, хладна вода.

22. Не наливайте вода в резервоара над максималното ниво.

23. Не потапяйте основата на овлажнителя. Ако по устройството се разлее вода, незабавно го изключете и оставете да изсъхне.

24. Не добавяйте никакви химикали във водата вътре в уреда, резервоара за вода или изхода за мъгла. Не добавяйте към водата соли, таблетки за премахване на котлен камък, прахове или почистващи вещества.

25. Входът за мъгла и капакът на резервоара за вода трябва винаги да са плътно затворени.

26. Уверете се, че изходът за мъгла на овлажнителя не е насочен директно към стени, мебели, електрически контакти, електрически и електронни устройства или деца. Твърде високата влажност в помещението може да доведе до натрупване на влага, причинявайки растеж на бактерии и гъбички и да повреди стени, мебели и тапети.

27. Не блокирайте вентилацията на устройството. Пазете разстояние за устройството от поне 20 см. Не блокирайте изхода на за мъгла на овлажнителя.

28. Не използвайте устройството, ако съществува риск от конденз. Влагата може да се образува от вътрешната и външната страна на устройството, когато:

- устройството се премества от студено на топло място;

- отоплителната система току-що е включена;

- устройството се използва в помещение с висока влажност;

- устройството се охлажда от въздушна кондиционираща охладителна система.

Когато в устройството се получи конденз на влага, то може да не работи правилно или да се повреди в екстремни случаи. В този случай не използвайте устройството и го оставете да изсъхне за няколко часа.

29. Не накланяйте, обръщайте и не се опитвайте да доливате или изливате вода от уреда по време на работа.
30. Не сваляйте резервоара от основата на устройството по време на работа на овлажнителя.
31. Напълненият резервоар за вода е тежък. Когато го носите, дръжте го и отдолу.
32. Не използвайте овлажнителя, ако откриете теч на вода изпод устройството.
33. Не оставяйте вода в овлажнителя, когато не се използва.
34. Следвайте инструкциите за почистване в това ръководство.
35. Никога не оставяйте седиментация, влага или вода да останат в основния резервоар на овлажнителя (това може да причини замърсяване или дори повреда на ултразвуковия пулверизатор).
36. При продължителна работа на устройството, водната мъгла излизаща от овлажнителя може да падне на пода и да причини влага.
37. Не повдигайте резервоара за вода от изхода за водна мъгла.
38. Забранено е поставянето на метални стружки, тел, игли и други чужди предмети в продукта или в пролуките на корпуса, в противен случай това може да причини токов удар или неизправност.
39. Имайте предвид, че високите нива на влажност могат да насърчат растежа на биологични организми и гъбички в околната среда.
40. Твърде много влажност в помещението може да доведе до натрупване на влага, причинявайки щети по стени, мебели, тапети и други електрически уреди като телевизор. Не насочвайте изхода за мъгла близо до такива предмети.
41. Не позволявайте зоната около овлажнителя да стане влажна или мокра. Ако се появи влага, намалете образуването на мъгла. Ако капацитетът на мъглата не може да бъде намален, използвайте овлажнителя периодично. Не позволявайте на абсорбиращи материали, като килими, завеси, завеси или покривки, да се намокрят.
42. Не покривайте устройството. Не поставяйте предмети върху горната част на устройството.
43. Не използвайте устройството заедно с програма, таймер или друго устройство, което автоматично включва овлажнителя.

Предупреждение: Микроорганизмите, които може да присъстват в резервоара за вода, ще бъдат издухани във въздуха, което ще причини много сериозна опасност за здравето. За да предотвратите това, сменяйте редовно водата и почиствайте резервоара на всеки три дни.

Предупреждение: Водният резервоар трябва да се изпразва и пълни отново на всеки три дни. Преди повторно пълнене го почистете с прясна вода или с налични почистващи препарати, ако се изисква от производителя. Отстранете котлен камък, отлагания или филм, който се е образувал по стените на резервоара. След

## ПОЧИСТВАНЕ ИЗБЪРШЕТЕ ВСИЧКИ ДОСТЪПНИ ПОВЪРХНОСТИ.

Ултразвуковият овлажнител използва принципа на ултразвукова високочестотна осцилация, водата се пулверизира в 1-5 микрона ултра фини частици, след което водната мъгла се разпространява във въздуха през пневматичното устройство, така че да се постигне целта за равномерно овлажняване на въздуха, освежаващ въздух , овлажняване на кожата и подобряване на здравето.

Преди първа употреба

Когато устройството е включено, моля, не докосвайте атомизиращия преобразувател (12) с ръка, за да избегнете нараняване.

Описание на устройството: Ултразвуков овлажнител

- |  |                                    |
|--|------------------------------------|
| 1. Капак за пълнене с вода                                 | 2. Капак на резервоара за вода     |
| 3. Дюзата за пръскане                                      | 4. Контейнер за ароматерапия       |
| 5. Въздушен канал за мъгла                                 | 6. Резервоар за вода               |
| 7A. Включване / Регулиране на мъглата / Режим на заспиване | 6. Резервоар за вода               |
| 7B. Бутон за таймер  | 7C. Бутон за непрекъсната влажност |
| 8. Дисплей   | 9. Вход за въздух                  |
| 10. Изход за мъгла   | 11. Изход за въздух                |
| 12. Атомизиращ трансдюсер                                  | 13. Ароматерапевтична памучна гъба |
| 14. Четка за почистване                                    |                                    |

ПЪЛНЕНЕ НА ВОДА – вижте фигура 7

1. Поставете устройството върху стабилна, равна повърхност. Не забравяйте да напълните водата до изключеното устройство.
2. Отворете капака за пълнене с вода (2) заедно с капака за пълнене с вода (1).
3. Не забравяйте, че въздуховодът за мъгла (5) трябва да бъде монтиран вътре в резервоара за вода, преди да добавите вода.
4. Когато добавяте вода, не впръсквайте вода в дюзата за пръскане (3) и не впръсквайте вода в изхода за мъгла (10), както и не впръсквайте вода в изхода за въздух (9).
5. Внимавайте да не надвишавате MAX (максималното) ниво на водата, отбелязано на изхода за въздух (9) - Пос на Фигура 2.
6. Използвайте чиста чешмяна вода.
7. Затворете капака на резервоара за вода (2) заедно с капака за пълнене с вода (1). Включете устройството в контакта.
8. Когато устройството не се планира да се използва, водата трябва да се излее от резервоара за вода (6).
9. За да намалите утаяването на варовик от водата - бял прах, по желание можете да закупите воден филтър за това устройство, номер AD7972.1 от продавача на това устройство.

ФУНКЦИЯ ЗА АРОМАТЕРАПИЯ

1. Отстранете капака на резервоара за вода (1) заедно с капака за пълнене с вода (1).
2. Налейте 2-3 капки етерично масло върху памучна гъба за ароматерапия (13) и я поставете в съд за ароматерапия (4). Вижте Фигура 4. Поставете съд за ароматерапия (4) в горната част на изхода за мъгла (10). Приятната миризма ще се разпространи заедно с мъглата.

ВНИМАНИЕ: САМО водоразтворими етерични масла са подходящи за този уред.

3. НЕ капвайте етерични масла директно във водата.

ЕКСПЛОАТАЦИЯ

1. След включване устройството издава звуков сигнал и устройството влиза в режим на готовност.
2. За да включите уреда, натиснете веднъж бутона за включване (7A). Обемът на мъглата по подразбиране е зададен на ниско ниво, ще видите на дисплея (8) два реда (Фигура 9B). Натиснете този бутон (7A) многократно, за да смените режимите на средно ниво на изход на мъгла (Фигура 9C), голям обем на мъгла (Фигура 9D), режим на заспиване (Фигура 9D) или да изключите устройството (Фигура 9E) на свой ред.

ЗАЩИТА ОТ НЕДОСТИГ НА ВОДА

Когато устройството работи, вградената пружина отчита липсата на вода. След това устройството спира да работи, на дисплея (8) ще се изпише "EE" и ще мига за 5 секунди и ще чуете 3 звукови сигнала. След това устройството влиза в режим на готовност. След като добавите водата, натиснете бутона за включване (7A), след което устройството може да работи нормално.

НАСТРОЙКА НА РЕЖИМ СЪН

Устройството ще работи при средна мощност на мъгла в продължение на 5 минути и ще спре изпускането на мъгла за 5 минути, след това ще работи 5 минути и ще спре на пауза за 10 минути; след това ще работи за 5 минути и ще спре за 15

минути, по-нататъшната работа ще продължи в този цикъл. В режим на заспиване дисплеят (8) е затъмнен – вижте Фигура 9Е.

### НАСТРОЙКА НА ТАЙМЕР

Настройката по подразбиране е нула часа. По време на работа натиснете бутона на таймера (7В) многократно, за да изберете един от периодите на работа на таймера: 1 час или 2 часа, или 4 часа, или 6 часа, или натиснете отново, за да изключите функцията на таймера – вижте Фигура 4. Функцията на таймера спира работата на устройството след изминаване на фиксиран период.

### НАСТРОЙКА НА НИВОТО НА ВЛАЖНОСТ

По време на работа на устройството натиснете бутона за непрекъсната влажност (7С), можете да зададете стойността на влажността в диапазона 40-90% от относителната влажност, всяко повторно натискане ще се увеличава с 5% стойност. Когато нивото на влажност е зададено, устройството непрекъснато овлажнява до желаното ниво на овлажняване. След достигане на желаното ниво на овлажняване, устройството влиза в състояние на готовност и спира да пръска мъгла, докато нивото на околна влажност не се намали до 5% под желаното ниво на овлажняване. В такъв случай устройството започва автоматично да пръска мъглата отново. Вижте фигура 5.

### ПОЧИСТВАНЕ И ПОДДРЪЖКА

1. Изключете устройството от контакта преди почистване. Ако в резервоара за вода (6) е останала вода, тя трябва да се излее чрез наклоняване на резервоара за вода (6).
- ВНИМАНИЕ: Важен въпрос е правилната позиция на резервоара за вода (6), докато водата се излива. Правилната позиция се постига, когато изходният отвор за въздух (9) остане сух и водната струя се води от противоположния ръб на резервоара за вода (6).
2. Почиствайте резервоара за вода на всеки 3 дни.
3. След като устройството се използва за определен период от време, лесно се появява котлен камък и се образува феноменът „бял прах“, той се прикрепя към повърхността на пулверизиращ преобразувател (12), което влияе върху ефективността на овлажняване. Необходимо е редовно да почиствате основните компоненти. За да почистите основните компоненти, вижте Фигура 6.
- \* Отворете капака на резервоара за вода (2), разглобете въздуховода за мъгла (5), като го завъртите обратно на часовниковата стрелка - вижте Фигура 6А.
- \* Избършете вътрешността на резервоара за вода (6) и канала за мъгла (5) с мека кърпа – вижте Фигура 6В.
- \* Добавете подходящо количество вода, почистете устройството с четката за почистване (14) - вижте фигура 6С.
- \* Избършете пулверизатора (12) с памучен тампон, напоен с разтвор на лимонена киселина.
4. Не използвайте остри твърди предмети, за да докосвате пулверизатора.
5. Не използвайте препарат за почистване, по-добре е клановата вода. След това подсушете елементите с мека кърпа, монтирайте въздуховода за мъгла (5) чрез завъртане по посока на часовниковата стрелка.
6. Външната повърхност на корпуса на устройството може да се почисти с влажна кърпа и след това да се избърше на сухо с чиста кърпа. Не използвайте химически разтворители, бензин, керосин или полиращ прах за избърсване на повърхността.
7. Не позволявайте на водата да навлиза в корпуса, когато почиствате, за да избегнете повреда на вътрешните компоненти.
8. Почиствайте устройството преди всяка следваща употреба.

### СЪХРАНЕНИЕ

1. За сезонно съхранение устройството трябва да бъде празно, почистено и сухо.
2. Съхранение в торбичка за предпазване от прах, на сухо място.

### ОТСТРАНЯВАНЕ НА НЕИЗПРАВНОСТИ

Ако устройството не работи правилно, проверете следните възможни причини, преди да го изпратите в сервиза за следпродажбено обслужване, за да разрешите проблемите сами.

**ПРОБЛЕМ I:** дисплеят (8) не свети.

**ВЪЗМОЖНА ПРИЧИНА ЗА ПРОБЛЕМ I:** захранването не е включено правилно.

**РЕШЕНИЕ НА ПРОБЛЕМ I:** включете захранващия кабел и включете захранването.

**ПРОБЛЕМ II:** има вода в резервоара, червената светлина мига, когато устройството е включено

**ВЪЗМОЖНА ПРИЧИНА ЗА ПРОБЛЕМ II:** има твърде много котлен камък върху пулверизатор (12)

**РЕШЕНИЕ НА ПРОБЛЕМ II:** почистете котления камък, натрупан върху пулверизатора (12)

**ПРОБЛЕМ III:** количеството на атомизация е твърде малко

**ВЪЗМОЖНА ПРИЧИНА ЗА ПРОБЛЕМ III:**

IIIа. Има твърде много бяла скала върху атомизация преобразувател (12)

IIIб. Водата е твърде мръсна или е съхранявана твърде дълго време

IIIв. Обемът на мъглата беше настроен на ниско ниво

**РЕШЕНИЕ НА ЗАДАЧА III:**

IIIа. почистете белия варовик върху пулверизатор (12)

IIIб. Сменете с чиста вода

IIIв. Настройте средно или високо ниво на мъгла

ПРОБЛЕМ IV.: Ненормален шум

ВЪЗМОЖНА ПРИЧИНА ЗА ПРОБЛЕМ IV:

IVa . Има твърде малко вода в резервоара за вода

IVb . Той се сблъсква с повърхността на масата, за да предизвика трептене

РЕШЕНИЕ НА ЗАДАЧА IV:

IVa . добавете вода

IVb . Поставете устройството върху твърда, гладка повърхност

ПРОБЛЕМ V: Странна миризма на мъгла

ВЪЗМОЖНА ПРИЧИНА ЗА ПРОБЛЕМ II: Водата в резервоара за вода не е чиста или е била съхранявана дълго време

РЕШЕНИЕ НА ПРОБЛЕМ II: Почистете резервоара за вода, подсушете го, след това добавете чиста вода

ТЕХНИЧЕСКА ДАТА:

Мощност: 23W

Захранване: 220-240V ~50-60Hz

Капацитет на резервоара за вода : 4 литра



Моля, прехвърлете картонените опаковки в отпадъчна хартия. Изсипете полиетиленовите торбички (PE) в пластмасовия контейнер. Износеното устройство трябва да се върне в съответното място за съхранение, тъй като е опасно в устройството съставките могат да представляват заплаха за околната среда. Електрическото устройство трябва да бъде предадено докрай повторното му използване и използване. Ако в устройството има батерии, трябва да извадите и да дадете на точката, съхранявана отделно.

(AZ) AZƏRBAYCAN

## ÜMUMİ TƏHLÜKƏSİZLİK ŞƏRTLƏRİ ƏNƏMİYYƏTLİ TƏHLÜKƏSİZLİK TƏLİMATLARINI DİQQƏTLƏ OXUYUN VƏ GƏLƏCƏK ÜÇÜN SAXLAYIN

Cihaz kommersiya məqsədləri üçün istifadə olunarsa, zəmanət şərtləri fərqlidir.

1. Məhsulu istifadə etməzdən əvvəl diqqətlə oxuyun və həmişə aşağıdakı təlimatlara əməl edin. İstehsalçı cihazın təyinatına zidd istifadə edilməsi və ya düzgün işləməməsi nəticəsində dəyən ziyanə görə məsuliyyət daşımır.
2. Cihaz yalnız evdə istifadə üçündür. Təyinatına uyğun olmayan başqa məqsədlər üçün istifadə etməyin.
3. Cihaz yalnız 220-240 V ~ 50/60 Hz rozetkaya qoşulmalıdır.
4. Uşaqlar yaxınlıqda olduqda cihazdan istifadə edərkən xüsusi diqqətli olun. Uşaqların cihazla oynamasına icazə verməyin, uşaqların və ya cihazla tanış olmayan şəxslərin ondan istifadə etməsinə icazə verməyin.
5. XƏBƏRDARLIQ: Bu avadanlıq 8 yaşdan yuxarı uşaqlar və məhdud fiziki, duyğu və ya əqli qabiliyyəti olan insanlar və ya avadanlıq haqqında heç bir təcrübəsi və ya biliyi olmayan insanlar tərəfindən istifadə edilə bilər, əgər bu məsul şəxs nəzarəti altında aparılırsa onların təhlükəsizliyi üçün və ya onlara cihazın təhlükəsiz istifadəsi haqqında məlumat verilmişdir və ondan istifadənin təhlükələrindən xəbərdardırlar. Uşaqlar avadanlıqla oynamamalıdırlar. Cihazın təmizlənməsi və saxlanması 8 yaşdan yuxarı olmadıqda və bu fəaliyyətlər nəzarət altında həyata keçirildikdə uşaqlar tərəfindən həyata keçirilməməlidir.
6. İstifadədən sonra həmişə rozetkadan əlinizlə tutaraq fişini elektrik

rozetkasından çıxarın. Elektrik kabelindən ÇƏKMƏYİN.

7. Kabel, tıxac, baza və bütün cihazı suya və ya hər hansı digər mayeyə batırmayın. Cihazı atmosfer şəraitinə (yağış, günəş və s.) məruz qoymayın və ya yüksək rütubət şəraitində (hamam otaqları, nəm mobil evlər) istifadə etməyin.

8. Elektrik kabelinin vəziyyətini vaxtaşırı yoxlayın. Elektrik kabeli zədələnsə, təhlükənin qarşısını almaq üçün təmir mərkəzindəki mütəxəssis tərəfindən dəyişdirilməlidir.


9. Cihazı zədələnmiş elektrik kabeli ilə və ya yerə düşmüş və ya hər hansı başqa şəkildə zədələnmiş və ya düzgün işləmirsə istifadə etməyin. Cihazı özünüz təmir etməyin, çünki elektrik şoku riski var. Zədələnmiş cihazı yoxlamaq və ya təmir etmək üçün müvafiq xidmət mərkəzinə aparın. Bütün təmir işləri yalnız səlahiyyətli xidmət məntəqələri tərəfindən aparıla bilər. Yanlış yerinə yetirilən təmir istifadəçi üçün ciddi təhlükə yarada bilər.

10. Cihazı sərin, dayanıqlı bir səthə, elektrik sobası, qaz sobası və s. kimi isti mətbəx cihazlarından uzaq qoyun.

11. Cihazı yanan materialların yanında istifadə etməyin.

12. Elektrik kabeli masanın kənarından asılmamalı və ya isti səthlərə toxunmamalıdır.

13. Heç vaxt nəzarətsiz məhsulu enerji mənbəyinə qoşulmuş vəziyyətdə qoymayın. İstifadə qısa müddətə kəsildikdə belə, onu şəbəkədən söndürün, elektrik enerjisini ayırın.

 14. Əlavə mühafizəni təmin etmək üçün nominal qalıq cərəyanı 30 mA-dan çox olmayan elektrik dövrəsində qalıq cərəyan qurğusunun (RCD) quraşdırılması məqsədəuyğundur. Bunun üçün bir elektrikçidən soruşun.

15. Cihazı suyun yaxınlığında istifadə etməyin, məs. ... duşda, hamamda və ya yuyucu hövzənin üstündə su ilə.

16. Cihaz vanna otağında istifadə edildikdə, istifadə etdikdən sonra fişini rozetkadan çıxarın, çünki cihaz söndürüldükdə belə suyun yaxınlığı təhlükə yaradır.

17. Cihazın islanmasına icazə verməyin. Cihaz suya düşərsə, dərhal fişini rozetkadan çıxarın. Maşın şəbəkəyə qoşulduqda əllerinizi suya qoymayın. Yenidən istifadə etməzdən əvvəl ixtisaslı elektrikçi tərəfindən yoxlanılmalıdır.

18. Cihazı yaş əllərlə tutmayın.

19. Hər istifadədən sonra həmişə cihazı söndürün. Zəhmət olmasa, elektrik şəbəkəsini ayırmadan əvvəl enerjini söndürün.

20. Heç vaxt cihazı su çəkində su olmadan işə salmayın.

21. Yalnız təmiz, sərin su istifadə edin.

22. Maksimum səviyyədən yuxarı tanka su tökməyin.
23. Nəmləndirici bazanı suya batırmayın. Cihazın üzərinə su tökülərsə, dərhal onu elektrik şəbəkəsindən ayırın və qurumasına icazə verin.
24. Su hövzəsinə, su çəninə və ya duman çıxışına heç bir kimyəvi maddə əlavə etməyin. Suya duzlar, kireç təmizləmə tabletləri, tozlar və ya təmizləyici maddələr əlavə etməyin.
25. Duman girişi və su çəninin qapağı həmişə möhkəm. bağlanmalıdır.
26. Nəmləndiricinin duman çıxışının birbaşa divarlara, mebellərə, elektrik rozetkalarına, elektrik və elektron cihazlara və ya uşaqlara yönəlməməsinə əmin olun. Otaqda çox yüksək rütubət nəmin yığılmasına, bakteriya və göbələklərin böyüməsinə, divarların, mebellərin və divar kağızlarının zədələnməsinə səbəb ola bilər.
27. Cihazın ventilyasiyasını bağlamayın. Cihazdan ən azı 20 sm məsafədə saxlayın. Nəmləndirici su dumanı çıxışını bağlamayın.
28. Kondensasiya riski varsa, cihazı istifadə etməyin. Aşağıdakı hallarda cihazın daxilində və xaricində nəm əmələ gələ bilər:
  - cihaz soyuqdan isti yerə köçürülür,
  - istilik sistemi yenidən işə salınıb;
  - cihaz yüksək rütubətli otaqda istifadə olunur;
  - cihaz kondisionerin soyutma sistemi ilə soyudulur.
- Cihazda nəm kondensasiyası baş verdikdə, o, düzgün işləməyə və ya həddindən artıq hallarda zədələne bilər. Bu vəziyyətdə cihazı istifadə etməyin və bir neçə saat qurumasına icazə verin.
29. Maşını işləyərkən əyməyin, çevirməyin və ya doldurmağa və ya ondan su tökməyə çalışmayın.
30. Nəmləndiricinin işləməsi zamanı çəni cihazın altından çıxarmayın.
31. Doldurulmuş su çəni ağırdır. Onu daşıyarkən onu da altında saxlayın.
32. Cihazın altından su sızdığını görsəniz, nəmləndiricidən istifadə etməyin.
33. İstifadə edilmədiyi zaman nəmləndiricidə su buraxmayın.
34. Bu təlimatdakı təmizləmə təlimatlarına əməl edin.
35. Nəmləndiricinin əsas çəninə heç vaxt çöküntü, nəm və ya suyun qalmasına icazə verməyin (bu, çirklənməyə və ya hətta ultrasəs atomizatorunun zədələnməsinə səbəb ola bilər).
36. Cihazın uzun müddət işləməsi zamanı nəmləndiricinin buraxdığı su dumanı yerə düşərək nəmliyə səbəb ola bilər.
37. Su çəni su dumanı çıxışından qaldırmayın.
38. Məhsula və ya korpus boşluqlarına metal çipləri, məfilləri, iynələri və digər yad əşyaları daxil etmək qadağandır, əks halda elektrik şoku və ya nasazlıq yarana bilər.
39. Bilin ki, yüksək rütubət səviyyələri ətraf mühitdə bioloji orqanizmlərin

və göbələklərin böyüməsini stimullaşdırı bilər.

40. Otaqda həddindən artıq rütubət nəmin yığılmasına gətirib çıxara bilər ki, bu da divarların, mebellərin, divar kağızlarının və televizor kimi digər elektrik cihazlarının zədələnməsinə səbəb ola bilər. Duman çıxışını belə obyektlərə yaxın tutmayın.

41. Nəmləndiricinin ətrafındakı ərazinin nəm və ya yaş olmasına icazə verməyin. Rütubət baş verərsə, duman istehsalını azaldın. Duman tutumunu azaltmaq mümkün deyilsə, nəmləndiricini fasilələrlə istifadə edin. Xalça, pərdələr, pərdələr və ya süfrələr kimi uducu materialların nəmlənməsinə icazə verməyin.

42. Cihazı örtməyin. Cihazın üstünə heç bir əşya qoymayın.

43. Cihazı proqramçı, taymer və ya nəmləndiricini avtomatik işə salan digər cihazla birlikdə istifadə etməyin.

Xəbərdarlıq: Su anbarında ola biləcək mikroorqanizmlər havaya üfürüləcək və bu, çox ciddi sağlamlıq təhlükəsinə bəb olacaq. Bunun qarşısını almaq üçün suyu mütləq maddə olaraq dərhal boşaldın və hər üç gündə bir tankı təmizləyin.

Xəbərdarlıq: Su çıxışı hər üç gündə bir boşaldılmalı və yenidən doldurulmalıdır. Doldurmadan əvvəl onu təmizləyin və ya istehsalçı tərəfindən təbii olaraq yuyucu vasitələrdən istifadə edin. Tankın divarlarında möhlət miqyası, çöküntüləri və ya filmləri çıxarın. Təmizlədikdən sonra ləçətan bütün səthləri quru silin.

Ultrasonik nəmləndirici ultrasəs yüksək tezlikli salınım prinsipində istifadə edir, su 1-5 mikron ultra incə hissəciklərə atomlaşdırılır, sonra su dumanı pnevmatik cihaz vasitəsilə havaya yayılır, beləliklə havanı bərabər şəkildə nəmləndirir, havanı təzəliklə mükəmməl qurudun və nail olmaq üçün, dərhal nəmləndirici və sağlamlığı yaxşılaşdırır.

İstifadə dərəcəsi

Cihaz işləyərkən, zərər verməmək üçün atomizatora (12) linizlə toxunmayın.

Cihazın təsviri: Ultrasonik nəmləndirici

- |   |                                  |
|---|----------------------------------|
| 1. Su doldurma qapağı   | 2. Su çıxışı qapağı              |
| 3. Sprey üçün başlıq  | 4. Aromaterapiya qabı            |
| 5. Dumanlı hava kanalı  | 6. Su çıxışı                     |
| 7A. Yandırın / Dumanın tənzimlənməsi / Yuxu rejimi / Söndürmə düyməsi | 7C. Davamlı rütubət düyməsi      |
| 7B. Taymer düyməsi  | 9. Hava girişi                   |
| 8. Ekran  | 11. Hava çıxışı                  |
| 10. Duman çıxışı  | 13. Aromaterapiya pambıq süngəri |
| 12. Atomlaşdırıcı çevirici  |                                  |
| 14. Təmizləmə fırçası   |                                  |

SU DOLDURMA – Şəkil 7- baxın

1. Cihazı sabit, düz bir səthə qoyun. Elektrik şəbəkəsindən çıxarılan cihaza su doldurmağı unutmayın.
2. Su doldurma qapağını (2) su doldurma qapağı (1) ilə birlikdə açın.
3. Yadda saxlayın ki, su təmizləmə dumanlı hava kanalı (5) su çıxışı içərisinə quraşdırılmışdır.
4. Su təmizləmə başlığına (3) su vurmayın və duman çıxışına (10) su vurmayın, həmçinin hava çıxışına (9) su vurmayın.
5. Diqqət edin ki, hava çıxışında (9) işarələnmiş MAX (maksimum) su sivişməni aşmayın - Şəkil 2-də baxın. Təmizləmə kranı suyundan istifadə edin.
6. Su çıxışı qapağını (2) su doldurma qapağı (1) ilə birlikdə bağlayın. Cihazı qoşun.
7. Cihazın istifadəsi planlaşdırılmadıqda su su çıxışı (6) tökülməlidir.



8. Sudan h nğ qatının yağmasını azaltmaq üçün - ağ toz, bu cihazın satıcısından isteğe bağlı olaraq bu cihaz üçün AD7972.1 nömr li su filtri ala bil rsiniz.

#### AROMATERAPİYA FONKSİYASI

1. Su ç ninin qapağını (1) su doldurma qapağı (1) il birlikd çıxarın.
2. Aromaterapiya pambıq süng rin (13) 2-3 damcı efir yağı tökün v aromaterapiya qabının (4) iç risin qoyun. Ş kil 4- baxın. Duman çıxışının (10) üstün aromaterapiya qabını (4) qoyun. Göz l qoxu dumanla birlikd paylanacaq.
- DİQQ T: Bu cihaz üçün yalnız suda h ll olunan efir yağları uygundur.
3. Efir yağlarını birbaşa suya DAMLAMAYIN.

#### M LİYYAT

1. Ş b k y qoşulduqdan sonra cihaz s s siqnalı verir v cihaz gözl m v ziyy tin keçir.
2. Cihazı iş salmaq üçün yandırma düym sini (7A) bir d f basın. Defolt duman h cmi aşağı s viyy d qurulub, siz ekranda (8) iki s tir gör c ksiniz (Ş kil 9B). Rejiml ri növb il orta duman çıxış s viyy sin (Ş kil 9C), yüks k duman h cmin (Ş kil 9D), yuxu rejimin (Ş kil 9D) d yişm k v ya cihazı söndürm k (Ş kil 9E) üçün bu düym ni (7A) t krar-t krar basın.

#### SU QISITLIQININ QORUNMASI

Cihaz iş l yr k n, quraşdırılmış bulaq suyun çatışmazlığını aşkar edir. Sonra cihaz iş l m yi dayandırır, displeyd (8) "EE" yazısı görün c k v 5 saniy yanıb-sönür v siz 3 s s siqnalı eşid c ksiniz. Bundan sonra cihaz gözl m v ziyy tin keçir. Su lav etdikd n sonra açma düym sini (7A) basın, bundan sonra cihaz normal iş l y bil r.

#### YUXU REJİMİNİN QURULMASI

Cihaz orta duman çıxışında 5 d qıq iş l y c k v duman çıxışını 5 d qıq dayandıracaq, sonra 5 d qıq iş l yir v 10 d qıq fasil ver c k; sonra 5 d qıq iş l y c k v 15 d qıq fasil ver c k, sonraki m liyyat bel dövr d davam etdiril c k. Yuxu rejimind displey (8) qaralır – Ş kil 9E- baxın.

#### TAYMER QAZANMASI

Standart parametr sıfır saatdır. m liyyat zamanı taymerin iş l m müdd tind n birini seçm k üçün taymer düym sini (7B) d f l r basın: 1 saat v ya 2 saat v ya 4 saat v ya 6 saat v ya taymer funksiyasını söndürm k üçün yenid n basın – Ş kil 4- baxın. Taymer funksiyası iş i dayandırır. mü yy n müdd t keçdikd n sonra cihazın.

#### RÜMÜML R S VİYY SİNİ QAZANMA

Cihazın iş l m si zamanı davamlı rütub t düym sini (7C) basın, siz rütub t d y rini nisbi rütub tin 40-90% diapazonunda t yin ed bil rsiniz, h r t krar basma 5% d y rl artacaq. Rütub t s viyy si t yin edildikd , cihaz daim ist nil n n ml ndirm s viyy sin q d r n ml ndir. İst diyiniz n ml ndirm s viyy sin çatdıqdan sonra cihaz gözl m v ziyy tin keçir v trafdaki rütub t s viyy si arzu olunan n ml ndirm s viyy sind n 5% aşağı düş n q d r dumanı s pm yi dayandırır. Bu halda, cihaz avtomatik olaraq dumanı yenid n püskürtm y başlayır. Ş kil 5- baxın.

#### T MİZLİK V XİDM T

1. T mizl m zd n vv l cihazı elektrik ş b k sind n çıxarın. Su ç nind (6) bir q d r su qalsa, su ç nini (6) y r k boşaltmaq lazımdır. DİQQ T: h miyy tli m s l su tökül rk n su ç ninin (6) düzgün mövqed olmalıdır. Düzgün mövqe hava çıxışı (9) quru qaldıqda v su axını su ç ninin (6) ks k nari il aparıldıqda ld edilir.

2. Su ç nini h r 3 günd n bir t mizl yin.

3. Cihaz mü yy n müdd t istifad edildikd n sonra asanlıqla miqyaslı görünür v "ağ toz" fenomeni m l g tirir, o, n ml ndirm nin effektivliyin t sir ed n atomizatorun (12) s thin yapışdırılır. sas komponentl ri müt madi olaraq t mizl m k lazımdır. sas komponentl ri t mizl m k üçün Ş kil 6-a baxın.

\* Su ç ninin qapağını (2) açın, dumanlı hava kanalını (5) saat qr binin ksın fırladaraq sökün - Ş kil 6A-a baxın.

\* Su ç ninin (6) içini n dumanlı hava kanalını (5) yumşaq parça il silin – Ş kil 6B- baxın.

\* Müvafiq miqdarda su lav edin, cihazı t mizl m fırçası (14) il t mizl yin - Ş kil 6C- baxın.

\* Limon turşusu m hlulu il yapışdırılmış pambıq çubuqla atomizatoru (12) silin.

4. Atomizer toxunmaq üçün iti s rt qablardan istifad etm yin.

5. T mizl m k üçün yuyucu vasit l rd n istifad etm yin, klan suyu daha yaxşıdır. Sonraki elementl ri yumşaq parça il qurutun, dumanlı hava kanalını (5) saat qr bi istiqam tind fırladaraq quraşdırın.

6. Cihaz korpusunun xarici s thi n m parça il t mizl n v sonra t miz parça il qurula bil r. S thi silm k üçün kimy vi h lledicil r, benzin, kerosin v ya cıalayıcı tozdan istifad etm yin .

7. Daxili komponentl rin nasazlığının qarşısını almaq üçün t mizl y rk n suyun korpusa daxil olmasına icaz verm yin.

8. H r növb t istifad d n vv l cihazı t mizl yin.

#### SAXLAMA

1. Mövsümi saxlama üçün cihaz boş, t miz v quru olmalıdır. qorunmaq üçün torbada , quru yerd saxlayın.

#### GİDERME

Cihaz düzgün iş l mirs , probleml ri özünüz h ll etm k üçün satış sonrası xidm t gönd rm zd n vv l aşağıdakı mümkün s b bl ri yoxlayın.

PROBLEM I.: displey (8) açiq deyil.

I PROBLEMİN MÜMKÜN S B Bİ: elektrik prizın düzgün qoşulmayıb.

I PROBLEMİN H LLİ: elektrik kabelini qoşun v enerjini yandırın.

PROBLEM II.: ç nd su var, cihaz iş salındıqda qırmızı işıq yanıb-sönür

II PROBLEMİN MÜMKÜN S B Bİ: atomlaşdırıcı çeviricid h dd n artıq miqyas var (12)

II PROBLEMİN H LLİ: atomlaşdırıcı çeviricid (12) yığılan şkala il t mizl yin

PROBLEM III.: atomizasiya miqdarı çox kiçikdir

III PROBLEMİN MÜMKÜN S B Bİ:

IIIa. Atomlaşdırıcı çeviricid (12) çox sayda ağ miqyas var.

IIIb . Su çox çirklidir v ya çox uzun müdd t saxlanılır

IIIc. Duman h cmi aşağı s viyy d quruldu

III PROBLEMİN H LLİ:

IIIa. atomizatorda (12) ağ h ng qatını t mizl yin

IIIb . T miz suya d yişdirin

IIIc. Orta v ya yüks k duman s viyy sini t yin edin

PROBLEM IV: Anormal s s-küy

IV PROBLEMİN MÜMKÜN S B Bİ:

IVa . Su anbarında çox az su var

IVb . Masanın s thi il toqquşur ki, titr yir

IV PROBLEMİN H LLİ:

IVa . su lav edin

IVb . Cihazı möhk m, hamar bir s th qoyun

PROBLEM V: Dumanın özün m xsus qoxusu

II PROBLEMİN MÜMKÜN S B Bİ: Su ç ninin suyu t miz deyil v ya uzun müdd t saxlanılıb.

II PROBLEMİN H LLİ: Su ç nini t mizl yin, qurudun, sonra t miz su lav edin

TEXNİKİ TARİX:

Güc: 23W

Enerji t chizati: 220-240V ~50-60Hz

Su ç ninin h cmi : 4 litr



Z hm t olmasa karton qablaşdırmanı tullantı kağıza köçürün. Polietilen torbaları (PE) plastik qaba tökün

Aşınmış cihaz müvafiq anbara qaytarılmalıdır, çünki o, cihazda t hlük lidir

madd l r traf mühit üçün t hlük yarada bil r. Elektrik cihazı limit q d r t hvil verilm lidir

onun t krar istifadə si v istifadə si. g r cihazda batareyalar varsa, onu çıxarib ayrıca saxlanan nöqt y verm k lazımdır.

## (ALB) SHQIPTAR

### KUSHTET E PËRGJITHSHME TË SIGURISË

### UDHËZIME TË RËNDËSISHME TË SIGURISË LEXONI ME KUJDES DHE RUANI PËR TË ARDHMEN

Kushtet e garancisë janë të ndryshme, nëse pajisja përdoret për qëllime komerciale.

1. Para se të përdorni produktin ju lutemi lexoni me kujdes dhe ndiqni gjithmonë udhëzimet e mëposhtme. Prodhuesi nuk është përgjegjës për dëmet e shkaktuara nga përdorimi i pajisjes në kundërshtim me qëllimin e synuar ose funksionimin e pahijshëm.

2. Pajisja është vetëm për përdorim shtëpiak. Mos e përdorni për qëllime të tjera që nuk janë për qëllimin e synuar.

3. Pajisja duhet të lidhet vetëm me një prizë 220-240 V ~ 50/60 Hz.

4. Tregoni kujdes të veçantë kur përdorni pajisjen kur fëmijët janë afër. Mos lejoni fëmijët të luajnë me pajisjen, mos lejoni që fëmijët ose personat që nuk e njohin pajisjen ta përdorin atë.

5. PARALAJMËRIM: Kjo pajisje mund të përdoret nga fëmijë mbi 8 vjeç dhe njerëz me aftësi të kufizuara fizike, shqisore ose mendore, ose njerëz që nuk kanë përvojë ose njohuri për pajisjen, nëse kjo bëhet nën mbikëqyrjen e një personi përgjegjës. për sigurinë

e tyre ose u është dhënë informacion mbi përdorimin e sigurt të pajisjes dhe janë të vetëdijshëm për rreziqet e përdorimit të saj. Fëmijët nuk duhet të luajnë me pajisjet. Pastrimi dhe mirëmbajtja e pajisjes nuk duhet të kryhen nga fëmijët, përveç nëse janë mbi 8 vjeç dhe këto aktivitete kryhen nën mbikëqyrje.

6. Gjithmonë hiqeni spinën nga priza pas përdorimit duke e mbajtur prizën me dorën tuaj. MOS e tërhiqni kordonin e rrymës.

7. Mos e zhytni kabllon, spinën, bazën dhe të gjithë pajisjen në ujë ose në ndonjë lëng tjetër. Mos e ekspozoni pajisjen ndaj kushteve atmosferike (shiu, dielli, etj.) ose mos e përdorni në kushte me lagështi të lartë (banjo, shtëpi të lëvizshme me lagështirë).

8. Kontrolloni periodikisht gjendjen e kordonit të rrymës. Nëse kordoni i rrymës është i dëmtuar, ai duhet të zëvendësohet nga një specialist në qendrën e riparimit për të shmangur rrezikun.

9. Mos e përdorni pajisjen me një kablo të dëmtuar të rrymës ose nëse është rënë ose dëmtuar në ndonjë mënyrë tjetër ose nëse nuk funksionon siç duhet. Mos e riparoni vetë pajisjen, pasi ekziston rreziku i goditjes elektrike. Merrni pajisjen e dëmtuar në një qendër shërbimi të përshtatshme për kontroll ose riparim. Të gjitha riparimet mund të kryhen vetëm nga pikat e autorizuara të shërbimit. Riparimet e kryera gabimisht mund të shkaktojnë rrezik serioz për përdoruesin.

10. Vendoseni pajisjen në një sipërfaqe të ftohtë, të qëndrueshme, larg pajisjeve të nxehta të kuzhinës si sobë elektrike, djegës me gaz etj.

11. Mos e përdorni pajisjen pranë materialeve të ndezshme.

12. Kordoni i rrymës nuk mund të varet mbi skajin e tavolinës ose tëprekë sipërfaqe të nxehta.

13. Asnjëherë mos e lini produktin të lidhur me burimin e energjisë pa mbikëqyrje. Edhe kur përdorimi ndërpritet për një kohë të shkurtër, fikeni atë nga rrjeti, shkëputeni nga priza.



14. Për të siguruar mbrojtje shtesë, këshillohet të instaloni një pajisje të rrymës së mbetur (RCD) në qarkun elektrik me një rrymë të mbetur nominale jo më të madhe se 30 mA. Kërkoni një elektrikist për këtë.

15. Mos e përdorni pajisjen pranë ujit, p.sh. ... në dush, vaskë ose sipër lavamanit me ujë.

16. Kur pajisja përdoret në banjë, hiqeni spinën nga priza pas përdorimit, pasi afërsia e ujit është e rrezikshme edhe kur pajisja është e fikur.

17. Mos lejoni që pajisja të laget. Në rast se pajisja bie në ujë, hiqni menjëherë spinën nga priza në mur. Mos i vendosni duart në ujë kur pajisja është e lidhur me rrjetin. Duhet të kontrollohet nga një elektrikist i kualifikuar përpara se ta përdorni përsëri.

18. Mos e mbani pajisjen me duar të lagura.

19. Gjithmonë fikeni pajisjen pas çdo përdorimi. Ju lutemi fikeni energjinë përpara se ta shkëputni.

20. Asnjëherë mos e ndizni pajisjen pa ujë në rezervuarin e ujit.

21. Përdorni vetëm ujë të pastër dhe të ftohtë.

22. Mos derdhni ujë në rezervuar mbi nivelin maksimal.

23. Mos e zhytni bazën e lagështuesit. Nëse uji derdhet në pajisje, hiqeni menjëherë nga

priza dhe lëreni të thahet.

24. Mos shtoni asnjë lëndë kimike në legen, rezervuarin e ujit ose daljen e mjegullës. Mos shtoni kripëra, tableta pastruese, pluhura ose substanca pastrimi në ujë.

25. Kapaku i hyrjes së mjegullës dhe rezervuarit të ujit duhet të jenë gjithmonë të mbyllura mirë.

26. Sigurohuni që priza e mjegullës së lagështuesit të mos jetë e drejtuar drejtpërdrejt te muret, mobiljet, prizat elektrike, pajisjet elektrike dhe elektronike ose fëmijët. Lagështia shumë e lartë në një dhomë mund të çojë në akumulimin e lagështirës, duke shkaktuar rritjen e bakteve dhe kërpudhave dhe dëmtimin e mureve, mobiljeve dhe tapeteve.

27. Mos bllokoni ajrosjen e pajisjes. Mbani një distancë prej të paktën 20 cm nga pajisja. Mos e bllokoni daljen e mjegullës së ujit të lagështuesit.

28. Mos e përdorni pajisjen nëse ekziston rreziku i kondensimit. Lagështia mund të krijohet në pjesën e brendshme dhe të jashtme të pajisjes kur:

- pajisja zhvendoset nga një vend i ftohtë në një vend të ngrohtë,
- sistemi i ngrohjes sapo është ndezur,
- pajisja përdoret në një dhomë me lagështi të lartë,
- pajisja ftohet nga sistemi i ftohjes së ajrit të kondicionuar.

Kur ndodh kondensimi i lagështirës në pajisje, ajo mund të mos funksionojë siç duhet ose mund të dëmtohet në raste ekstreme. Në këtë rast, mos e përdorni pajisjen dhe lëreni të thahet për disa orë.

29. Mos anoni, mos ktheni ose përpiquni të mbushni ose derdhni ujë nga makina gjatë funksionimit.

30. Mos e hiqni rezervuarin nga baza e pajisjes gjatë funksionimit të lagështuesit.

31. Depozita e mbushur me ujë është e rëndë. Kur e mbani, mbajeni edhe poshtë.

32. Mos përdorni lagështues nëse gjeni rrjedhje uji nga poshtë pajisjes.

33. Mos lini ujë në lagështues kur nuk është duke u përdorur.

34. Ndiqni udhëzimet e pastrimit në këtë manual.

35. Asnjëherë mos lejoni që sedimentimi, lagështia ose uji të mbetet në rezervuarin bazë të lagështuesit (kjo mund të shkaktojë kontaminim apo edhe dëmtim të atomizuesit me ultratinguj).

36. Gjatë funksionimit të zgjatur të pajisjes, mjegulla e ujit e lëshuar nga lagështuesi mund të bjerë në dysheme dhe të shkaktojë lagështi.

37. Mos e ngrini rezervuarin e ujit nga priza e mjegullës së ujit.

38. Ndalohet futja e copave metalike, telit, gjilpërave dhe objekteve të tjera të huaja në produkt ose në hapësirat e strehës, përndryshe mund të shkaktojë goditje elektrike ose mosfunksionim.

39. Kini parasysh se nivelet e larta të lagështisë mund të nxisin rritjen e organizmave biologjikë dhe kërpudhave në mjedis.

40. Lagështia e tepërt në dhomë mund të çojë në akumulimin e lagështirës duke shkaktuar dëme në mure, mobilje, letër-muri dhe pajisje të tjera elektrike si TV. Mos e drejtoni daljen e mjegullës afër objekteve të tilla.

41. Mos lejoni që zona rreth lagështuesit të bëhet e lagësht ose e lagësht. Nëse shfaqet lagështia, zvogëloni prodhimin e mjegullës. Nëse kapaciteti i mjegullës nuk mund të reduktohet, përdorni lagështuesin me ndërprerje. Mos lejoni që materialet absorbuese, të tilla si qilimat, perdet, perdet ose mbulesat e tavolinës, të lagen.

42. Mos e mbuloni pajisjen. Mos vendosni asnjë objekt në pjesën e sipërme të pajisjes.

43. Mos e përdorni pajisjen në lidhje me një programues, kohëmatës ose pajisje tjetër që ndez automatikisht lagështuesin.

**Paralajmërim:** Mikroorganizmat që mund të jenë të pranishëm në rezervuarin e ujit do të fryhen në ajër, duke shkaktuar një rrezik shumë serioz për shëndetin. Për ta parandaluar këtë, ndërroni rregullisht ujin dhe pastroni rezervuarin çdo tre ditë.

**Paralajmërim:** Rezervuari i ujit duhet të zbrazet dhe të mbushet çdo tre ditë. Përpara se ta rimbushni, pastroni me ujë të freskët ose duke përdorur detergjentë të disponueshëm nëse kërkohet nga prodhuesi. Hiqni peshoren, depozitat ose një film që është formuar në muret e rezervuarit. Pas pastrimit, fshijini të gjitha sipërfaqet e aksesueshme.

Lagështuesi tejanor përdor parimin e lëkundjes me frekuencë të lartë tejanor, uji atomizohet në grimca ultra të imta 1-5 mikron, më pas mjegulla e ujit shpërndahet në ajër përmes pajisjes pneumatike, në mënyrë që të arrihet qëllimi i lagështimit të njëtrajtshëm të ajrit, freskimit të ajrit, hidraton lëkurën dhe përmirëson shëndetin.

Para përdorimit të parë

Kur pajisja është e ndezur, ju lutemi mos prekni me dorë një transduktor atomizues (12) për të shmangur lëndimin.

Përshkrimi i pajisjes: Lagështues tejanor

- |   |  |
|---|--|
| 1. Kapak mbushës me ujë   | 2. Mbulesa e rezervuarit të ujit       |
| 3. Grykë spërkatëse   | 4. Enë për aromaterapinë               |
| 5. Kanali i ajrit të mjegullës  | 6. Depozita e ujit                     |
| 7A. Ndezja / Rregullimi i mjegullës / Modaliteti i gjumit / Butoni i fikjes |  |
| 7B. Butoni i kohëmatësit  | 7C. Butoni i lagështisë së vazhdueshme |
| 8. Ekрани   | 9. Hyrja e ajrit                       |
| 10. Dalje mjegull   | 11. Dalje ajri                         |
| 12. Transduktor atomizues   | 13. Sfungjer pambuku aromaterapie      |
| 14. Furçë pastrimi  |  |

**MBUSHJA ME UJË – shikoni figurën 7**

1. Vendoseni pajisjen në një sipërfaqe të qëndrueshme dhe të sheshtë. Mos harroni të mbushni ujin në pajisjen e shkëputur nga priza.
2. Hapni kapakun e mbushjes së ujit (2) së bashku me kapakun e mbushjes me ujë (1).
3. Mos harroni se kanali i ajrit të mjegullës (5) duhet të instalohet brenda rezervuarit të ujit përpara se të shtoni ujin.
4. Kur shtoni ujin, mos injektioni ujë në grykën e spërkatjes (3) dhe mos injektioni ujë në daljen e mjegullës (10), gjithashtu mos injektioni ujë në daljen e ajrit (9).
5. Kushtojini vëmendje të mos e kaloni nivelin MAX (maksimal) të ujit të shënuar në daljen e ajrit (9) - në figurën 2. Përdorni ujë të pastër rubineti.
6. Mbyllni kapakun e rezervuarit të ujit (2) së bashku me kapakun e mbushjes së ujit (1). Lidhe pajisjen në prizë.
7. Kur pajisja nuk është planifikuar të përdoret, uji duhet të derdhet nga rezervuari i ujit (6).
8. Për të reduktuar reshjet e gëlqeres nga pluhuri i bardhë i ujit, mund të blini opsionalisht një filtër uji për këtë pajisje, me numër AD7972.1 nga shitësi i kësaj pajisjeje.

**FUNKSIONI I AROMATERAPISË**

1. Hiqni kapakun e rezervuarit të ujit (1) së bashku me kapakun e mbushjes së ujit (1).
2. Hidhni 2-3 pika vaj esencial mbi një sfungjer pambuku aromaterapie (13) dhe vendoseni brenda një ene për aromaterapinë (4). Shikoni figurën 4. Vendosni një enë aromaterapie (4) në pjesën e sipërme të daljes së mjegullës (10). Aroma e këndshme do të shpërndahet së bashku me mjegull.

**KUJDES:** VETËM vajrat esencialë të tretshëm në ujë janë të përshtatshëm për këtë pajisje.

### 3. MOS i derdhni vajra esencialë në ujë direkt.

#### OPERACIONI

1. Pas futjes në prizë pajisja jep sinjal zanor dhe pajisja hyn në gjendje gatishmërie.
2. Për të ndezur pajisjen shtypni një herë butonin e ndezjes (7A). Vëllimi i parazgjedhur i mjegullës është vendosur në nivel të ulët, në ekran (8) do të shihni dy rreshta (Figura 9B). Shtypni këtë buton (7A) në mënyrë të përsëritur për të ndryshuar modalitetet në nivelin e daljes së mjegullës mesatare (Figura 9C), volumin e lartë të mjegullës (Figura 9D), modalitetin e fjetjes (Figura 9D) ose fikni pajisjen (Figura 9E) me radhë.

#### MBROJTJA NGA MUNGESJA E UJIT

Kur pajisja është duke punuar, burimi i integruar zbulon mungesën e ujit. Pastaj pajisja ndalon së punuari, ekranin (8) do të tregojë "EE" dhe do të pulsojë për 5 sekonda dhe do të dëgjoni 3 sinjale zanore. Pas kësaj, pajisja hyn në gjendje gatishmërie. Pasi të keni shtuar ujin, shtypni butonin e ndezjes (7A), atëherë pajisja mund të funksionojë normalisht.

#### CILËSIMI I MODIT TË GJUMIT

Pajisja do të punojë në dalje të mjegullës mesatare për 5 minuta dhe do të ndalojë daljen e mjegullës për 5 minuta, më pas do të punojë 5 minuta dhe do të ndalojë për 10 minuta; Më pas do të funksionojë për 5 minuta dhe do të ndalojë për 15 minuta, funksionimi i mëtejshëm do të vazhdojë në një cikël të tillë. Në modalitetin e fjetjes, ekranin (8) zbehet - shikoni Figurën 9E.

#### VENDOSJA E KOHËMATËSIT

Cilësimi i paracaktuar është zero orë. Gjatë funksionimit shtypni butonin e kohëmatësit (7B) në mënyrë të përsëritur për të zgjedhur një nga periudhat e funksionimit të kohëmatësit: 1 orë ose 2 orë ose 4 orë ose 6 orë ose shtypni përsëri për të fikur funksionin e kohëmatësit – shikoni figurën 4. Funksioni i kohëmatësit ndalon funksionimin të pajisjes pas kalimit të një periudhe të caktuar.

#### VENDOSJA E NIVELIVE TË LAGËSHITISË

Gjatë funksionimit të pajisjes shtypni butonin e lagështisë së vazhdueshme (7C), mund të vendosni vlerën e lagështisë në intervalin 40-90% të lagështisë relative, çdo shtypje e përsëritur do të rritet me vlerën 5%. Kur niveli i lagështisë është vendosur, pajisja po lagështohet vazhdimisht në nivelin e dëshiruar të lagështirës. Pasi të arrijë nivelin e dëshiruar të lagështirës, pajisja hyn në gjendje gatishmërie dhe ndalon spërkatjen e mjegullës derisa niveli i lagështisë së ambientit të ulët në 5% nën nivelin e dëshiruar të lagështirës. Në këtë rast, pajisja fillon të spërkat përsëri automatikisht mjegullën. Shikoni Figurën 5.

#### PASTRIMI DHE MIRËMBAJTJA

1. Hiqeni pajisjen nga prizja përpara se ta pastroni. Nëse ka mbetur pak ujë në rezervuarin e ujit (6), ai duhet të derdhet duke e anuar rezervuarin e ujit (6).

KUJDES: Çështje e rëndësishme është pozicioni i saktë i rezervuarit të ujit (6) ndërsa uji derdhet jashtë. Pozicioni i saktë arrihet kur dalja e ajrit (9) qëndron e thatë dhe rrjedha e ujit drejtohet nga buza e kundërt e rezervuarit të ujit (6).

2. Pastroni rezervuarin e ujit çdo 3 ditë.

3. Pasi pajisja përdoret për një periudhë kohe, është e lehtë të shfaqet shkalla dhe të formohet fenomeni "pluhur i bardhë", ngjitet në sipërfaqen e një transduktor atomizues (12), duke ndikuar në efikasitetin e lagështimit. Është e nevojshme të pastroni rregullisht komponentët kryesorë. Për të pastruar komponentët kryesorë shikoni figurën 6.

\* Hapni kapakun e rezervuarit të ujit (2), çmontoni kanalën e ajrit të mjegullës (5) duke e rrotulluar në të kundërt të akrepave të orës – shikoni Figurën 6A.

\* Fshijeni pjesën e brendshme të rezervuarit të ujit (6) dhe kanalit të ajrit të mjegullës (5) me një leckë të butë – shikoni Figurën 6B.

\* Shtoni sasinë e duhur të ujit, pastroni pajisjen me furçën e pastrimit (14) – shikoni Figurën 6C.

\* Fshijeni një transduktor atomizues (12) me një shtupë pambuku të mbërthyer me tretësirë të acidit citrik.

4. Mos përdorni enë të mprehta të forta për të prekur atomizerin.

5. Mos përdorni detergjent për të pastruar, uji i klanit është më i mirë. Pas kësaj, elementët e thatë me një leckë të butë, instaloni kanalën e ajrit të mjegullës (5) me rrotullim në drejtim të akrepave të orës.

6. Sipërfaqja e jashtme e strehës së pajisjes mund të pastrohet me një leckë të lagur dhe më pas të fshihet e thatë me një leckë të pastër. Mos përdorni tretës kimikë, benzinë, vajguri ose pluhur lustrues për të fshirë sipërfaqen.

7. Mos lejoni që uji të hyjë brenda kabinës kur pastroni për të shmangur mosfunksionimin e pjesëve të brendshme.

8. Pastroni pajisjen përpara çdo përdorimi tjetër.

#### RUAJTJA

1. Për ruajtjen sezonale pajisja duhet të jetë bosh, e pastruar dhe e thatë.

2. Ruani në qese për të parandaluar kundër pluhurit, në vend të thatë.

#### ZGJIDHJA E PROBLEMEVE

Nëse pajisja nuk funksionon siç duhet, kontrolloni me arsytet e mëposhtme të mundshme përpara se ta dërgoni në shërbimin pas shitjes për të zgjidhur problemet vetë.

PROBLEMI I.: ekranin (8) nuk është i ndezur.

ARSYEJA E MUNDSHME E PROBLEMIT I.: ryma nuk është lidhur siç duhet.

ZGJIDHJA E PROBLEMIT I: futni kordonin elektrik dhe ndizni rrymën.

PROBLEMI II.: ka ujë në rezervuar, drita e kuqe pulson kur pajisja ndizet

ARSYEJA E MUNDSHME E PROBLEMIT II: ka shumë shkallë në një transdaktor atomizues (12)

ZGJIDHJA E PROBLEMIT II: pastroni peshoren e grumbulluar në transdaktorin atomizues (12)

PROBLEMI III.: Sasia e atomizimit është shumë e vogël

ARSYEJA E MUNDSHME E PROBLEMIT III:

IIIa. Ka shumë shkallë të bardhë në transdaktorin atomizues (12)

IIIb. Uji është shumë i ndotur ose është ruajtur për një kohë të gjatë

IIIc. Vëllimi i mjegullës u vendos në nivel të ulët

ZGJIDHJA E PROBLEMIT III:

IIIa. pastroni shkallën e bardhë të gëlqeres në një transdaktor atomizues (12)

IIIb. Ndryshoni në ujë të pastër

IIIc. Vendosni nivelin e mjegullës së mesme ose të lartë

PROBLEMI IV.: Zhurmë jonormale

ARSYEJA E MUNDSHME E PROBLEMIT IV:

IVa. Ka shumë më pak ujë në rezervuarin e ujit

IVb. Përplasët me sipërfaqen e tryezës për të prodhuar dridhje

ZGJIDHJA E PROBLEMIT IV:

IVa. Shtoni ujë

IVb. Vendoseni pajisjen në një sipërfaqe të fortë dhe të lëmuar

PROBLEMI V.: Erë e veçantë e mjegullës

ARSYEJA E MUNDSHME E PROBLEMIT II: Uji në rezervuarin e ujit nuk është i pastër ose është mbajtur për një kohë të gjatë

ZGJIDHJA E PROBLEMIT II: Pastroni rezervuarin e ujit, thajeni dhe më pas shtoni ujë të pastër

#### TË DHËNAT TEKNIKE:

Fuqia: 23W

Furnizimi me energji elektrike: 220-240V ~50-60Hz

Kapaciteti i rezervuarit të ujit: 4 litra



Ju lutemi transferoni paketimin e kartonit në letër të mbeturinave. Hidhni qeset e polietilenit (PE) në enë plastike  
Pajisja e konsumuar duhet të kthehet në vendin e duhur të ruajtjes sepse është e rrezikshme në pajisje  
përbërësit mund të përbëjnë një kërcënim për mjedisin. Pajisja elektrike duhet të dorëzohet në kufi  
ripërdorimin dhe përdorimin e tij. Nëse në pajisje ka bateri, duhet të hiqni dhe t'i jepni pikës së ruajtjes veçmas.



# AFTER SALE SERVICE NOTICE

<b>GB</b>	If you want to buy spare parts or make any complaints, please contact the seller who issued the receipt directly.
<b>DE</b>	Wenn Sie Ersatzteile kaufen oder reklamieren möchten, wenden Sie sich bitte direkt an den Verkäufer, der die Quittung ausgestellt hat.
<b>FR</b>	Si vous souhaitez acheter des pièces de rechange ou faire des réclamations, veuillez contacter directement le vendeur qui a émis le reçu.
<b>ES</b>	Si desea comprar repuestos o presentar alguna queja, comuníquese directamente con el vendedor que emitió el recibo.
<b>PT</b>	Se você quiser comprar peças de reposição ou fazer alguma reclamação, entre em contato diretamente com o vendedor que emitiu o recibo.
<b>LT</b>	Jei norite įsigyti atsarginių dalių ar pateikti nusiskundimą, susisiekiite tiesiogiai su kvitą išdavusiu pardavėju.
<b>LV</b>	Ja vēlaties iegādāties rezerves daļas vai izteikt pretenzijas, lūdzu, sazinieties tieši ar pārdevēju, kurš izsniedza čeku.
<b>EST</b>	Kui soovite osta varuosi või esitada pretensioone, võtke otse ühendust kviiitungi väljastanud müüjaga.
<b>HU</b>	Ha póttalkatrészeket szeretne vásárolni, vagy panaszt szeretne tenni, forduljon közvetlenül a bizonylatot kiállító eladóhoz.
<b>BS</b>	Ako želite kupiti rezervne dijelove ili napraviti reklamaciju, obratite se direktno prodavaču koji je izdao račun.
<b>RO</b>	Если вы хотите купить запчасти или предъявить какие-либо претензии, пожалуйста, свяжитесь напрямую с продавцом, выдавшим чек.
<b>CZ</b>	Chcete-li zakoupit náhradní díly nebo uplatnit jakoukoli reklamaci, kontaktujte přímo prodejce, který účtenku vystavil.
<b>RU</b>	Dacă doriți să cumpărați piese de schimb sau să faceți vreo reclamație, vă rugăm să contactați direct vânzătorul care a emis chitanța.
<b>GR</b>	Εάν θέλετε να αγοράσετε ανταλλακτικά ή να κάνετε οποιαδήποτε παράπονα, επικοινωνήστε απευθείας με τον πωλητή που εξέδωσε την απόδειξη.
<b>MK</b>	Ako sakate da kupite rezervni delovi ili da podnesete kakvi bilo poplaka, kontaktirajte direktno so prodavačot koj ja izdal сметката.
<b>NL</b>	Als u reserveonderdelen wilt kopen of een klacht wilt indienen, neem dan rechtstreeks contact op met de verkoper die de bon heeft afgegeven.
<b>SL</b>	ie želite kupiti nadomestne dele ali vložiti reklam acije, se obrnite neposredno na prodajalca, ki je izdal račun.
<b>FI</b>	Jos haluat ostaa varaosia tai tehdä valituksia, ota yhteyttä suoraan kuitin antaneeseen myyjään.
<b>PL</b>	W przypadku chęci zakupu części zamiennych lub zgło szenia ewentualnych reklamacji naley kontaktował się bezpośrednio ze sprzedawcą, który w ystawił paragon.
<b>IT</b>	Se desidero acquistare pezzi di ricambio o presentare reclami, contatta direttamente il venditore che ha emesso la ricevuta.
<b>HR</b>	Se desidero acquistare pezzi di ricambio o presentare reclami, contatta direttamente il venditore che ha emesso la ricevuta.
<b>SV</b>	im du vill köpa reservdelar eller göra ngra reklam ationer, vänligen kontakta säljaren som utfärdat kvittot direkt.
<b>DK</b>	Hvis du ønsker at købe reservedele eller reklamere, bedes du kontakte selgeren, som har udstedt kvitteringen, direkte.
<b>UA</b>	ікщо ви хочете придбати запчастини або подати будь- який претензію, зверніться безпосередньо до продавця, який видав чек.
<b>SR</b>	Ako želite da kupite rezervne delove ili da uložite reklamaciju, obratite se direktno prodavcu koji je izdao račun.
<b>SK</b>	Ak si chcete kúpiť náhradné diely alebo uplatniť ak úkovek reklamáciu, kontaktujte priamo predajcu, ktorý účtenku vystavil.
<b>AR</b>	إذا تشكبت غرت في شراء حطقة رايغوا ميديقتي أ يوكشه ي جريف لاتصال عنابالذي أصدر الإيصال قرشايه
<b>BG</b>	Ako искате да закупите резервни части или да направите оплаквания, моля, свържете се директно с продавача, който е издал касовата бележка.
<b>AZ</b>	Ehtiyat hissələri almaq və ya hər hansı şikayət etmək istəyirsinizsə, qəbzı verən satıcı ilə birbaşa əlaqə saxlayın.
<b>ALB</b>	Nëse dëshironi të blini pjesë këmbimi ose të bëni ndonjë ankesë, ju lutemi kontaktoni drejtpërdrejt shitësin që ka lëshuar faturën.